



(12) **United States Design Patent**
Abrams

(10) **Patent No.:** **US D915,367 S**
(45) **Date of Patent:** **** *Apr. 6, 2021**

- (54) **PHONE EAR SPACER**
- (71) Applicant: **Joseph H Abrams**, Wynnewood, PA (US)
- (72) Inventor: **Joseph H Abrams**, Wynnewood, PA (US)
- (*) Notice: This patent is subject to a terminal disclaimer.
- (**) Term: **15 Years**
- (21) Appl. No.: **29/671,171**
- (22) Filed: **Nov. 24, 2018**
- (51) **LOC (13) Cl.** **14-03**
- (52) **U.S. Cl.**
USPC **D14/240**
- (58) **Field of Classification Search**
USPC D14/240, 242, 357, 358, 155, 125, 126, D14/137, 139, 243, 348, 349, 351, 354, D14/355, 435.1, 204, 214, 215, 216, 248, D14/249, 250; D8/356, 396
CPC . H04L 12/66; H04L 63/0853; H04L 63/0272; H04L 63/083; H04L 63/105; H05K 7/20; H05K 7/20154
See application file for complete search history.

- 4,796,288 A * 1/1989 Busche H04M 1/03 379/433.02
- D302,015 S * 7/1989 Taylor D14/247
- D305,027 S * 12/1989 Catey D14/249
- 5,413,502 A * 5/1995 Wang H01R 24/46 439/314
- D366,879 S * 2/1996 Henderson D14/249
- D376,145 S * 12/1996 Hathorn D10/78
- D490,457 S * 5/2004 Kimbre D14/240
- 6,776,654 B2 * 8/2004 Hawkes H02G 15/04 174/652
- 7,451,893 B2 * 11/2008 Martin B23K 9/206 219/136
- 8,430,686 B2 * 4/2013 Sheehan H01R 13/74 439/551
- D735,561 S * 8/2015 Weissbrod D8/358

(Continued)

Primary Examiner — Bridget L Eland
(74) *Attorney, Agent, or Firm* — Cheryl R. Figlin, Esq.

(57) **CLAIM**

The ornamental design for a phone ear spacer, as shown and described.

DESCRIPTION

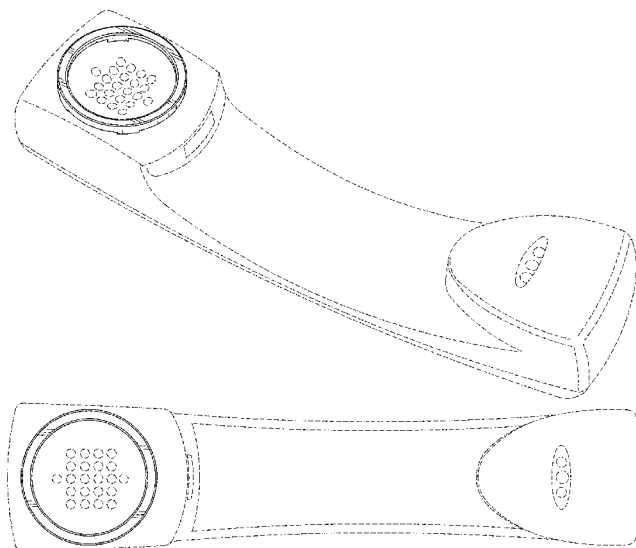
FIG. 1 is a perspective view of a phone ear spacer showing our new design;
 FIG. 2 is a front elevation view of the phone ear spacer of FIG. 1;
 FIG. 3 is a back elevation view of the phone ear spacer of FIG. 1;
 FIG. 4 is a left side elevation view of the phone ear spacer of FIG. 1;
 FIG. 5 is a right side elevation view of the of the phone ear spacer of FIG. 1;
 FIG. 6 is a top plan view of the phone ear spacer of FIG. 1; and,
 FIG. 7 is a bottom plan view of the phone ear spacer of FIG. 1.
 The broken lines are directed to environment; the broken lines form no part of the claimed design.

1 Claim, 7 Drawing Sheets

(56) **References Cited**

U.S. PATENT DOCUMENTS

- 3,243,527 A * 3/1966 Sternheim H04R 1/12 379/452
- D208,576 S * 9/1967 Reisner D14/240
- 4,124,785 A * 11/1978 Seretny H04M 1/0202 379/370
- D253,236 S * 10/1979 Hwang 379/441
- 4,408,406 A * 10/1983 Barton A45C 13/42 40/640
- 4,690,212 A * 9/1987 Termohlen H01R 13/523 166/65.1



(56)

References Cited

U.S. PATENT DOCUMENTS

D743,382	S *	11/2015	Katori	D14/228
D770,430	S *	11/2016	Lee	D14/240
D826,082	S *	8/2018	Khubani	D11/121
D831,468	S *	10/2018	Morley	D8/356
2002/0071551	A1 *	6/2002	Lee	H01Q 1/245 379/451
2003/0231764	A1 *	12/2003	Dedieu	H04M 1/03 379/420.01
2006/0258326	A1 *	11/2006	Webb	G06F 1/1626 455/350

* cited by examiner

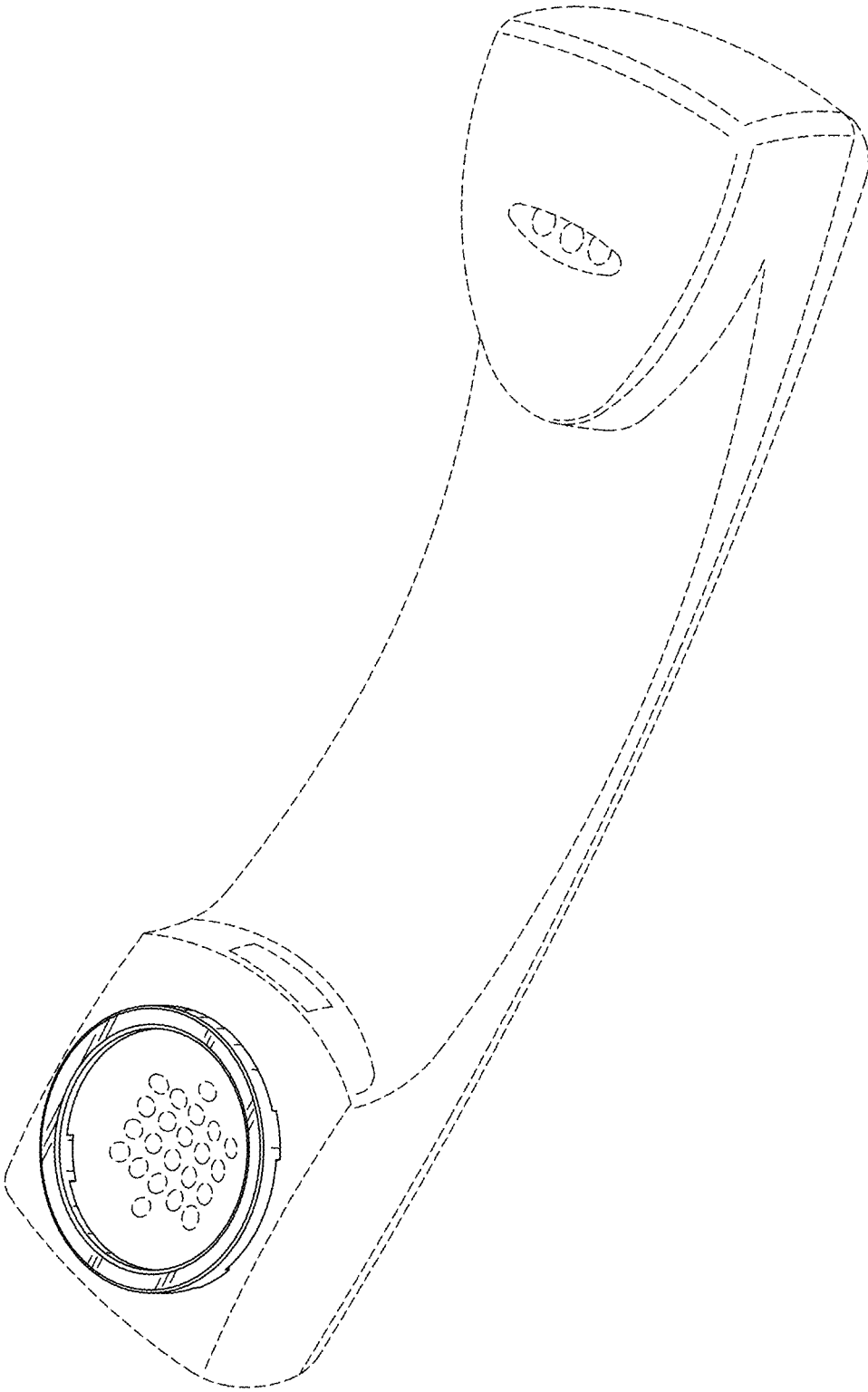


FIG. 1

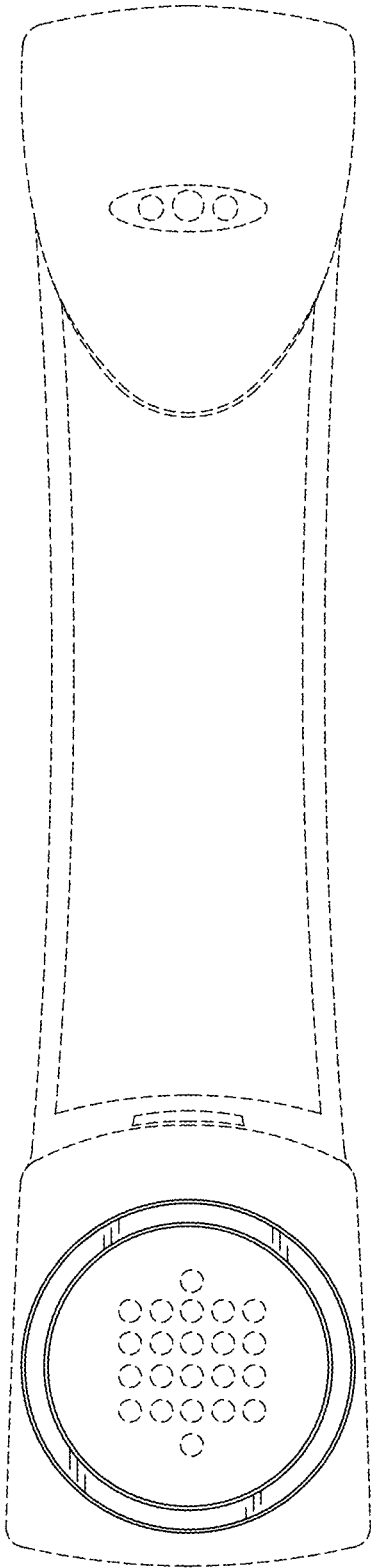


FIG. 2

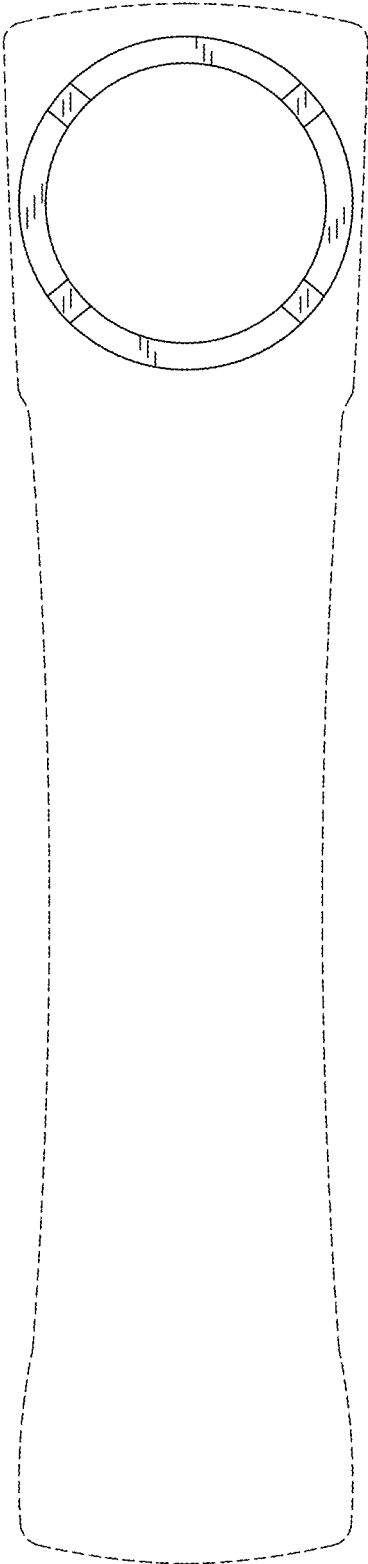


FIG. 3

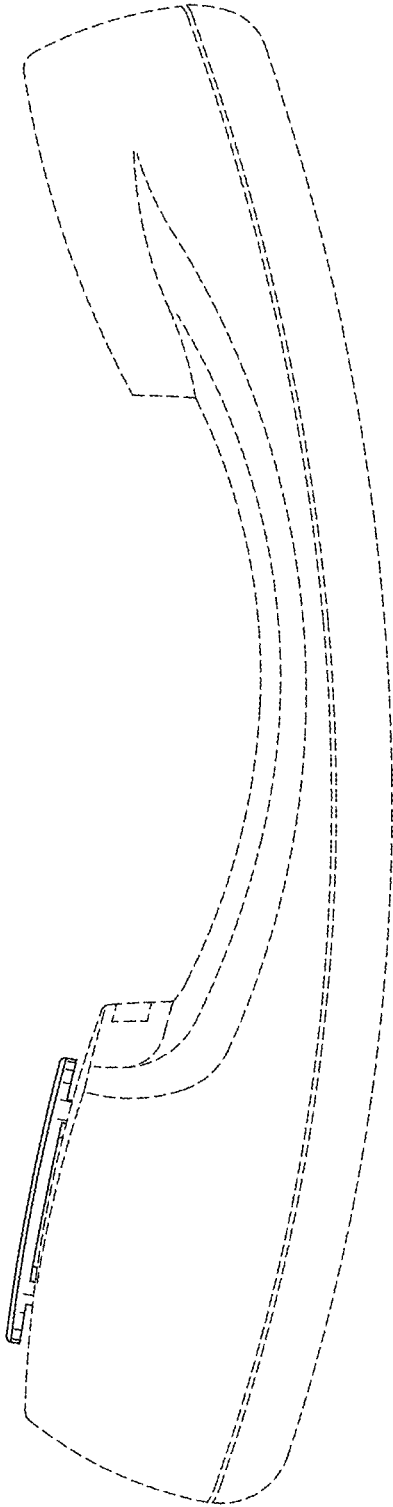


FIG. 4

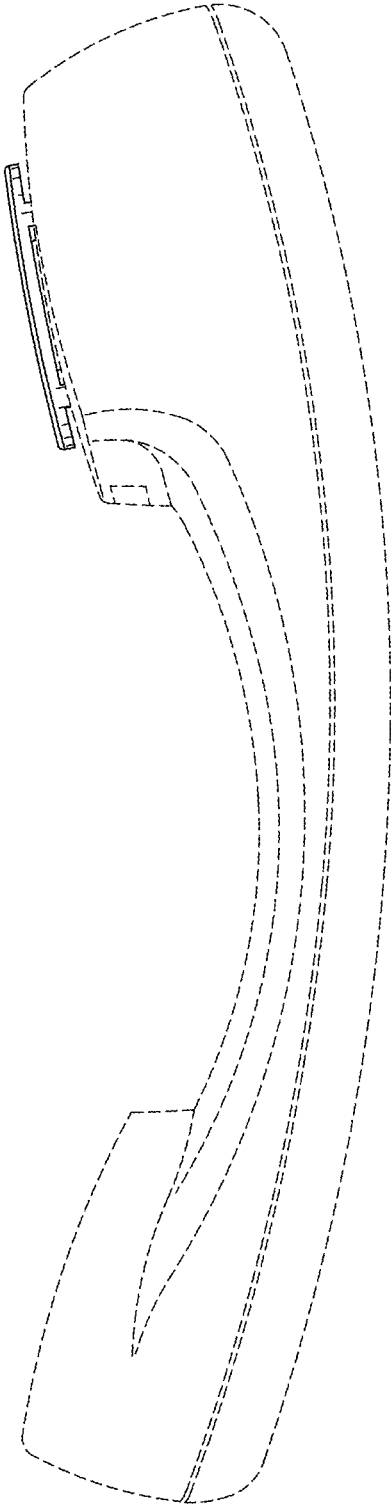


FIG. 5

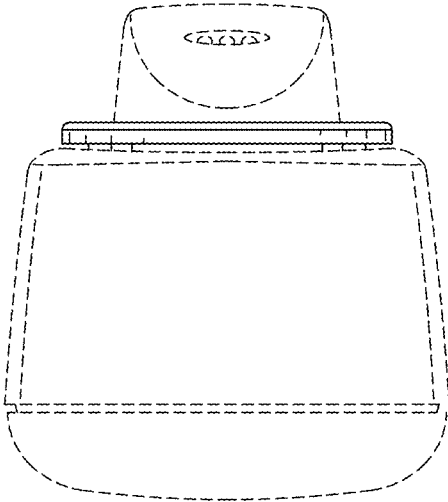


FIG. 6

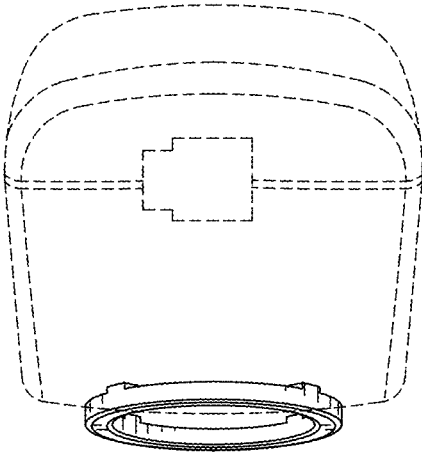


FIG. 7