



(12) **United States Design Patent**  
**Tang**

(10) **Patent No.:** **US D975,009 S**  
(45) **Date of Patent:** **\*\* Jan. 10, 2023**

(54) **CHARGER DOCK**

FOREIGN PATENT DOCUMENTS

(71) Applicant: **Shenzhen Targetever Technology Co., Ltd.**, Guangdong (CN)

EM 008239263-0001 \* 11/2020

(72) Inventor: **Xiancheng Tang**, Guangdong (CN)

OTHER PUBLICATIONS

(73) Assignee: **Shenzhen Targetever Technology Co., Ltd.**, Guangdong (CN)

“Targetever PS5 Controller Charger”. Found online May 3, 2022 at targetever.com. Reference dated May 3, 2022. Retrieved from <https://www.targetever.com/product/143.html>. (Year: 2022).\*

(\*\*) Term: **15 Years**

“Dobe Controller Charger”. Found online Aug. 10, 2021 at amazon.com. Reference dated May 3, 2017. Retrieved from <https://www.amazon.com/DOBE-Controller-Charger-Charging-Indicators/dp/B07193XL8H>. (Year: 2017).\*

(21) Appl. No.: **29/757,929**

“PDP Energizer Nintendo Wii U and Wii Controller Charger”. Found online Apr. 6, 2021 at walmart.com. Reference dated May 6, 2015. Retrieved from <https://www.walmart.com/ip/PDP-Energizer-Nintendo-Wii-U-and-Wii-Controller-Charger-Black/40549448>. (Year: 2015).\*

(22) Filed: **Nov. 10, 2020**

(51) **LOC (14) Cl.** ..... **13-02**

(52) **U.S. Cl.**

USPC ..... **D13/108**; D21/333

(58) **Field of Classification Search**

USPC ..... D13/103, 107, 108, 118, 119; D14/432, D14/433, 434, 439, 447; D21/333, 385

CPC ..... H02J 7/00047; H02J 7/0049; H02J 50/05

See application file for complete search history.

\* cited by examiner

*Primary Examiner* — Kendra Leslie Hamilton

*Assistant Examiner* — Amanda Christensen

(74) *Attorney, Agent, or Firm* — ScienBiziP, P.C.

(56) **References Cited**

U.S. PATENT DOCUMENTS

D315,330	S *	3/1991	Soren	.....	D13/107
D400,164	S *	10/1998	Lindahl	.....	D13/108
D446,184	S *	8/2001	Parker	.....	D13/107
D597,940	S *	8/2009	Navid	.....	D13/108
D605,588	S *	12/2009	Nomi	.....	D13/108
8,373,391	B1 *	2/2013	Allen	.....	H02J 7/0044 320/167
D709,447	S *	7/2014	Ibuki	.....	D13/108
D722,649	S *	2/2015	Sumii	.....	D21/333
D781,784	S *	3/2017	Dingle	.....	D21/333
10,888,792	B2 *	1/2021	Loh	.....	A63F 13/24
D949,102	S *	4/2022	Zhou	.....	D13/108
2013/0221923	A1 *	8/2013	Robertson	.....	H02J 7/0045 320/112
2020/0335987	A1 *	10/2020	Zheng	.....	H02J 7/0044

(57)

**CLAIM**

The ornamental design for a charger dock, as shown and described.

**DESCRIPTION**

FIG. 1 is a front and top perspective view of a charger dock, showing my design.

FIG. 2 is a front elevation view thereof.

FIG. 3 is a rear elevation view thereof.

FIG. 4 is a left side elevation thereof.

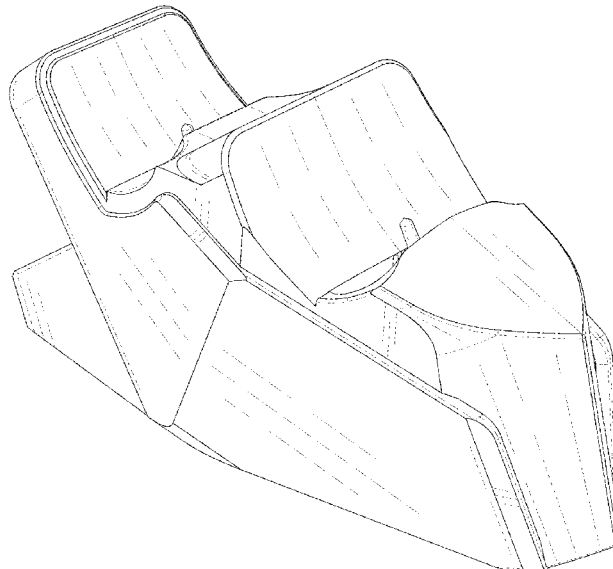
FIG. 5 is a right side elevation thereof.

FIG. 6 is a top plan view thereof; and,

FIG. 7 is a bottom plan view thereof.

The broken lines in the drawings depict portions of the charger dock that form no part of the claimed design.

**1 Claim, 7 Drawing Sheets**



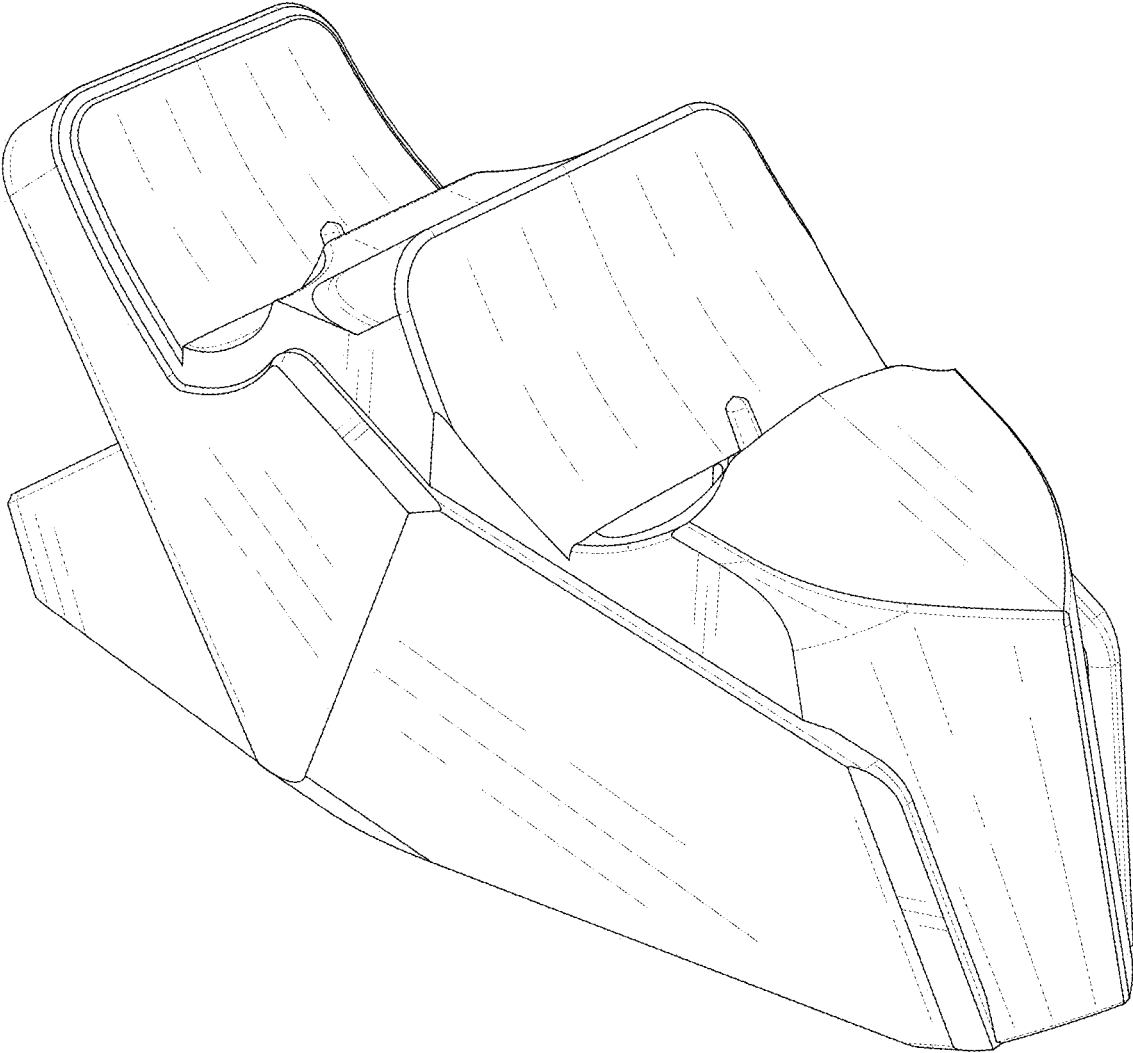


FIG.1

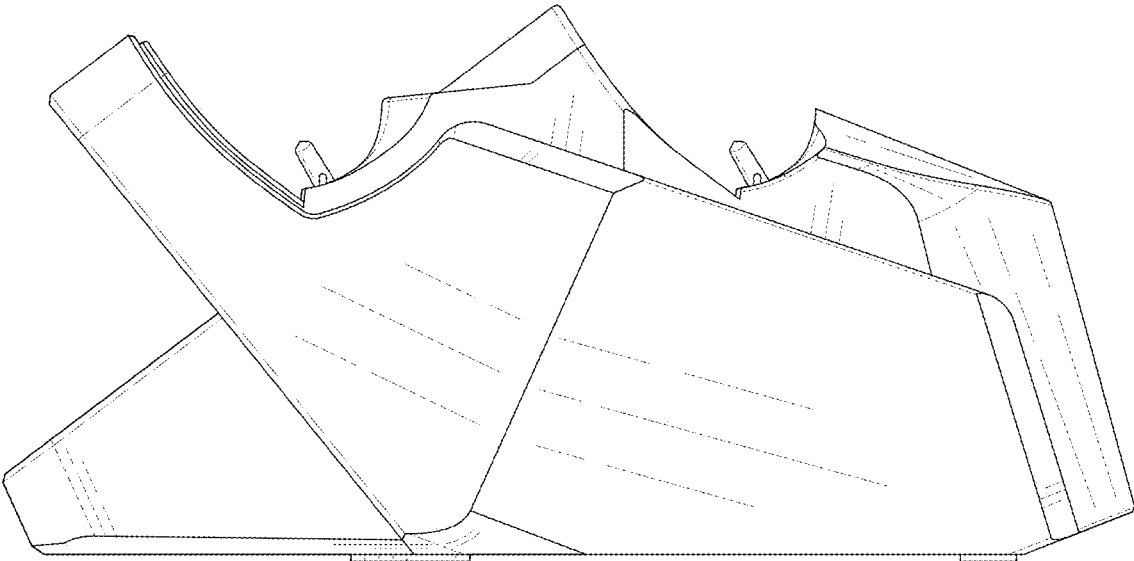


FIG.2

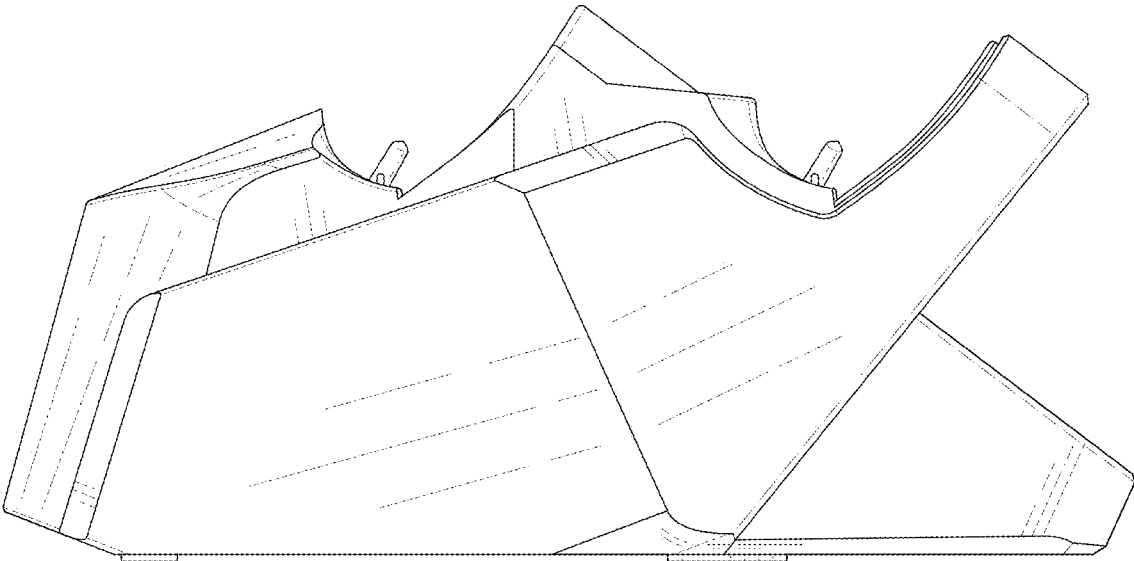


FIG.3

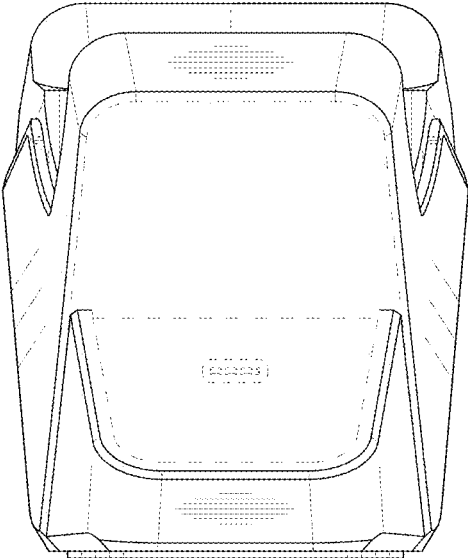


FIG.4

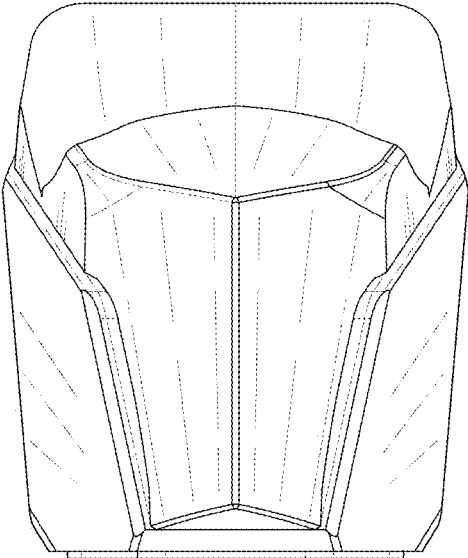


FIG.5

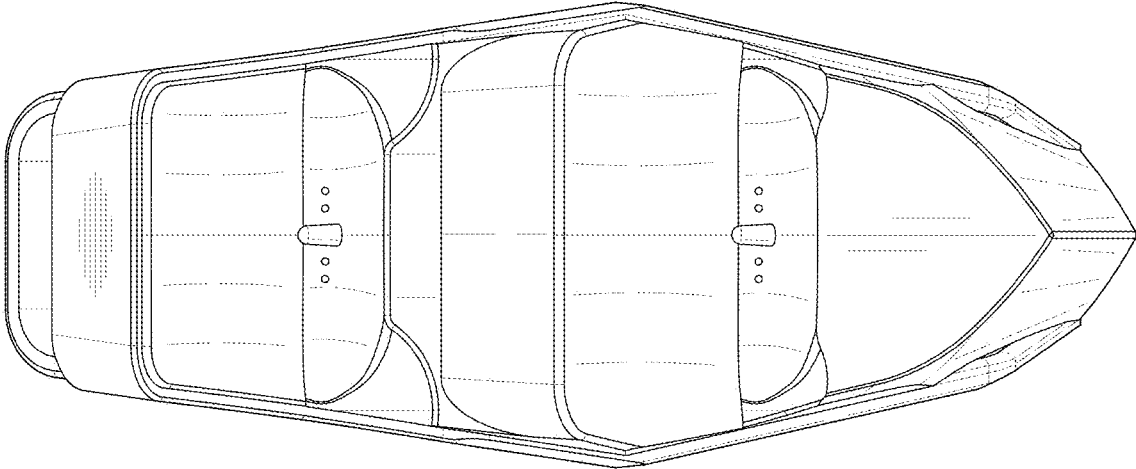


FIG.6

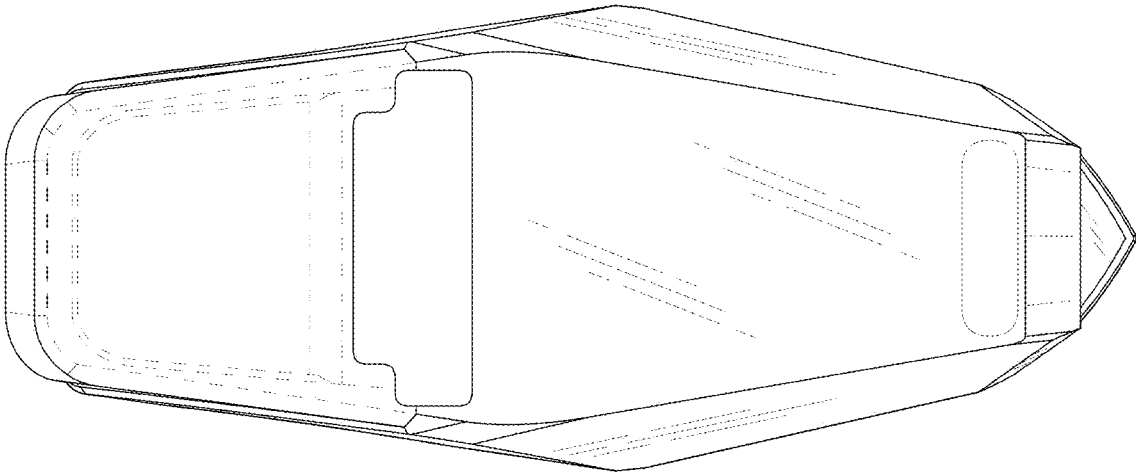


FIG.7