



US00D620522S

(12) **United States Design Patent**
Amano

(10) **Patent No.:** **US D620,522 S**

(45) **Date of Patent:** **** Jul. 27, 2010**

(54) **COUPLING FOR TONER CARTRIDGE**

(75) Inventor: **Takafumi Amano**, Kanagawa (JP)

(73) Assignee: **Toshiba Tec Kabushiki Kaisha** (JP)

(**) Term: **14 Years**

(21) Appl. No.: **29/314,692**

(22) Filed: **Apr. 20, 2009**

(30) **Foreign Application Priority Data**

Mar. 3, 2009 (JP) 2009-004695

(51) **LOC (9) Cl.** **16-03**

(52) **U.S. Cl.** **D18/43**

(58) **Field of Classification Search** D14/471;
D18/12, 36, 40, 43, 44, 56; 222/DIG. 1;
347/197, 222; 399/24-28, 107-112, 119,
399/121, 122, 222-224

See application file for complete search history.

(56) **References Cited**

U.S. PATENT DOCUMENTS

5,619,244	A *	4/1997	Manna	D18/56
D449,069	S *	10/2001	Stouffer	D18/56
D450,758	S *	11/2001	Stouffer	D18/56
D478,118	S *	8/2003	Neri	D18/40
6,623,192	B1 *	9/2003	Kameyama	400/208
D511,186	S *	11/2005	Neri et al.	D18/56
7,102,659	B2 *	9/2006	Hayashi	347/214
D537,472	S *	2/2007	Amano	D18/43

2001/0042810	A1 *	11/2001	Christensen et al.	242/597.2
2006/0008299	A1 *	1/2006	Amano et al.	399/262
2007/0036586	A1 *	2/2007	Funamoto	399/122
2009/0317135	A1 *	12/2009	Miyabe et al.	399/119

* cited by examiner

Primary Examiner—Caron Veynar

Assistant Examiner—Garth Rademaker

(74) *Attorney, Agent, or Firm*—Harness, Dickey & Pierce, P.L.C.

(57) **CLAIM**

The ornamental design for a coupling for toner cartridge, as shown and described.

DESCRIPTION

FIG. 1 is a front perspective view of a coupling for toner cartridge, showing my new design;

FIG. 2 is a rear perspective view thereof;

FIG. 3 is a front elevational view thereof;

FIG. 4 is a rear elevational view thereof;

FIG. 5 is a top plan view thereof;

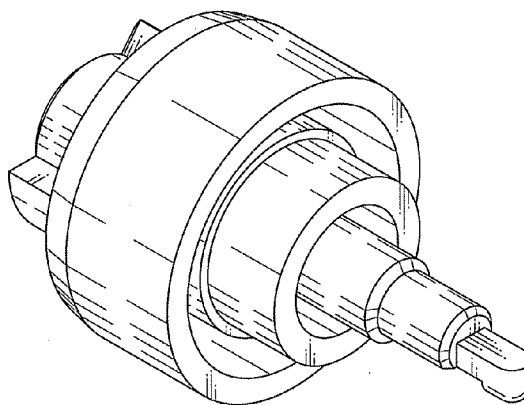
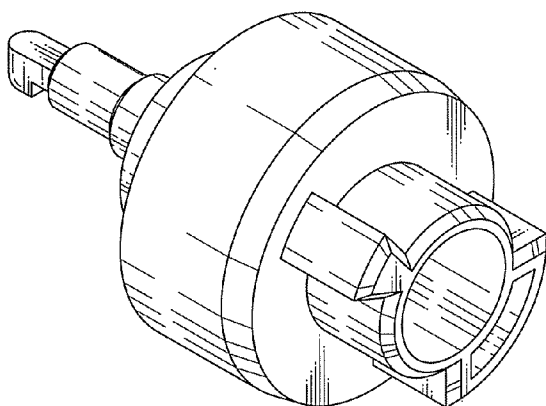
FIG. 6 is a bottom plan view thereof;

FIG. 7 is a right side elevational view thereof; and,

FIG. 8 is a left side elevational view thereof.

The broken lines depict environmental subject matter only and form no part of the claimed design.

1 Claim, 2 Drawing Sheets



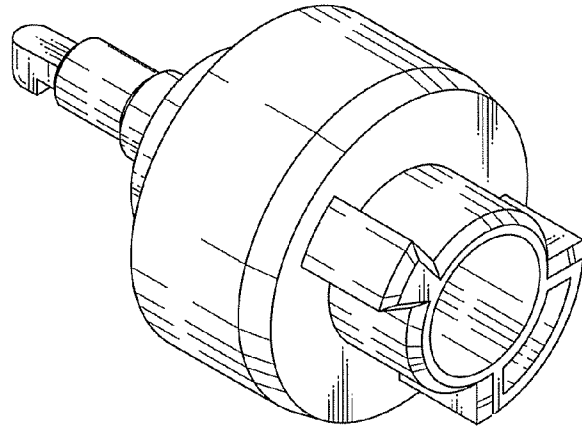


FIG.1

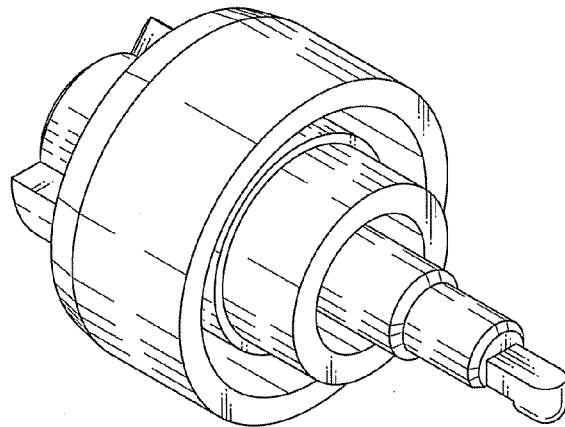


FIG.2

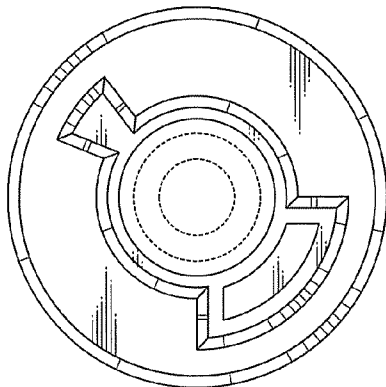


FIG.3

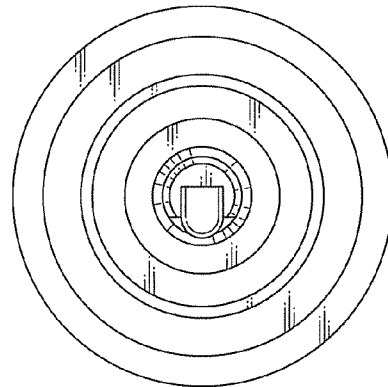


FIG.4

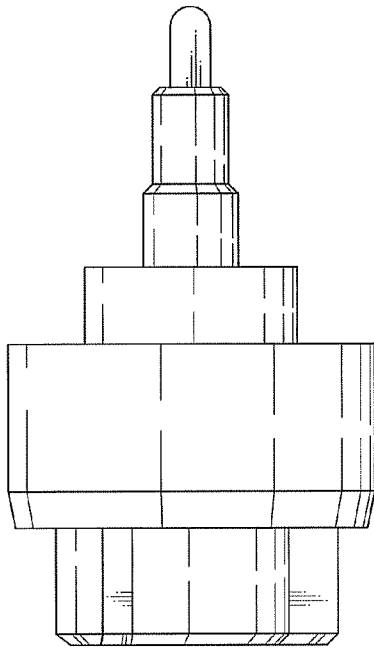


FIG. 5

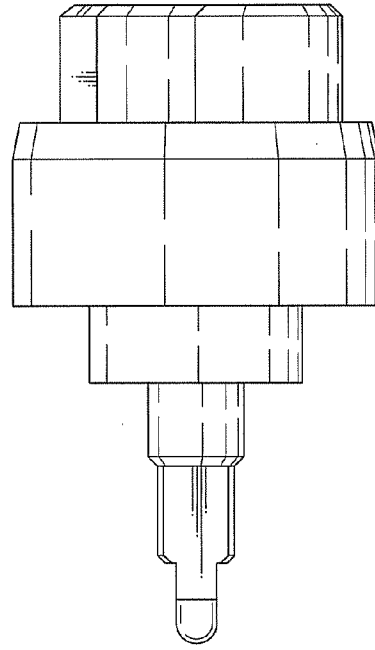


FIG. 6

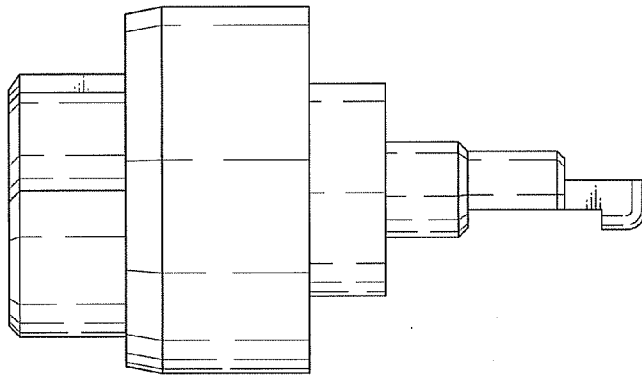


FIG. 7

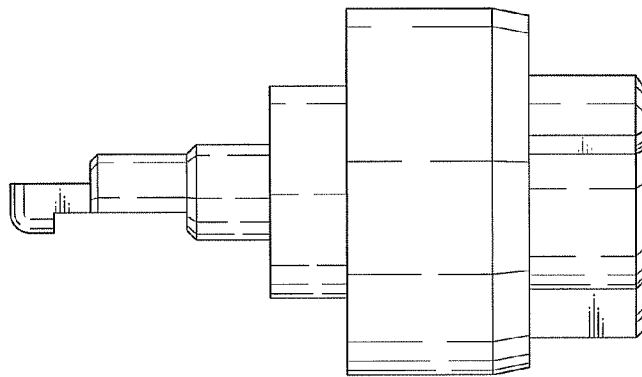


FIG. 8