



US00D839792S

(12) **United States Design Patent**
Huang

(10) **Patent No.:** **US D839,792 S**

(45) **Date of Patent:** **** Feb. 5, 2019**

- (54) **PATIENT CARRIER**
- (71) Applicant: **APEX HEALTH CARE MFG. INC.**,
Chiayi County (TW)
- (72) Inventor: **Chi-Tzung Huang**, Chiayi County
(TW)
- (73) Assignee: **Apex Health Care Mfg., Inc.**, Chiayi
County (TW)
- (**) Term: **15 Years**
- (21) Appl. No.: **29/615,055**
- (22) Filed: **Aug. 25, 2017**
- (51) **LOC (11) Cl.** **12-12**
- (52) **U.S. Cl.**
USPC **D12/128**
- (58) **Field of Classification Search**
USPC D12/128-133; D34/28, 33
CPC A61G 7/10; A61G 7/14
See application file for complete search history.

- 7,669,255 B2 * 3/2010 Raney A61G 7/1017
5/86.1
- 8,272,084 B2 * 9/2012 Spidare A61G 7/1017
5/81.1 R
- 8,438,677 B2 * 5/2013 Biersteker A61G 7/1046
5/86.1
- 8,474,794 B2 * 7/2013 Liljedahl A61G 7/1017
254/120
- 8,650,676 B2 * 2/2014 Lin A61G 7/1019
5/81.1 HS
- 8,656,529 B2 * 2/2014 Corriveau A61G 7/1017
5/83.1
- 8,914,920 B2 * 12/2014 Niklasson A61G 7/1017
5/83.1
- 9,576,470 B2 * 2/2017 Jensen G08C 17/02
- 2006/0026755 A1 * 2/2006 Bain A61G 7/1017
5/86.1

* cited by examiner

Primary Examiner — Charles D Hanson
(74) *Attorney, Agent, or Firm* — Rosenberg, Klein & Lee

(57) **CLAIM**

The ornamental design for a patient carrier, as shown and described.

DESCRIPTION

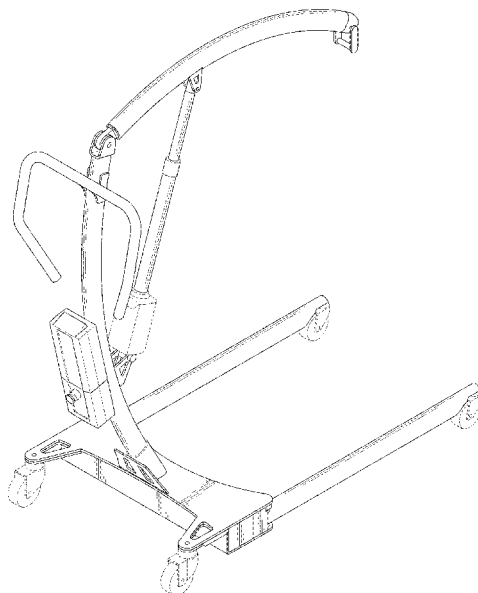
FIG. 1 is a perspective view of a patient carrier showing my new design;
FIG. 2 is a front elevational view thereof;
FIG. 3 is a rear elevational view thereof;
FIG. 4 is a left side elevational view thereof;
FIG. 5 is a right side elevational view thereof;
FIG. 6 is a top plan view thereof; and,
FIG. 7 is a bottom plan view thereof.
The broken lines shown in the figures are included for illustrating unclaimed portions of the patient carrier and form no part of the claimed design.

1 Claim, 7 Drawing Sheets

(56) **References Cited**

U.S. PATENT DOCUMENTS

- 5,579,547 A * 12/1996 Hunt A61G 7/1015
5/83.1
- 5,609,566 A * 3/1997 Pupovic A61H 1/0296
601/23
- 5,845,348 A * 12/1998 Dunn A61G 7/1017
5/83.1
- 6,079,062 A * 6/2000 Mullin A61G 7/1019
5/81.1 R
- D451,658 S * 12/2001 Czemerer D34/28
- 7,428,759 B2 * 9/2008 Bain A61G 7/1017
212/294
- 7,437,782 B1 * 10/2008 Burns A61G 7/1019
254/385



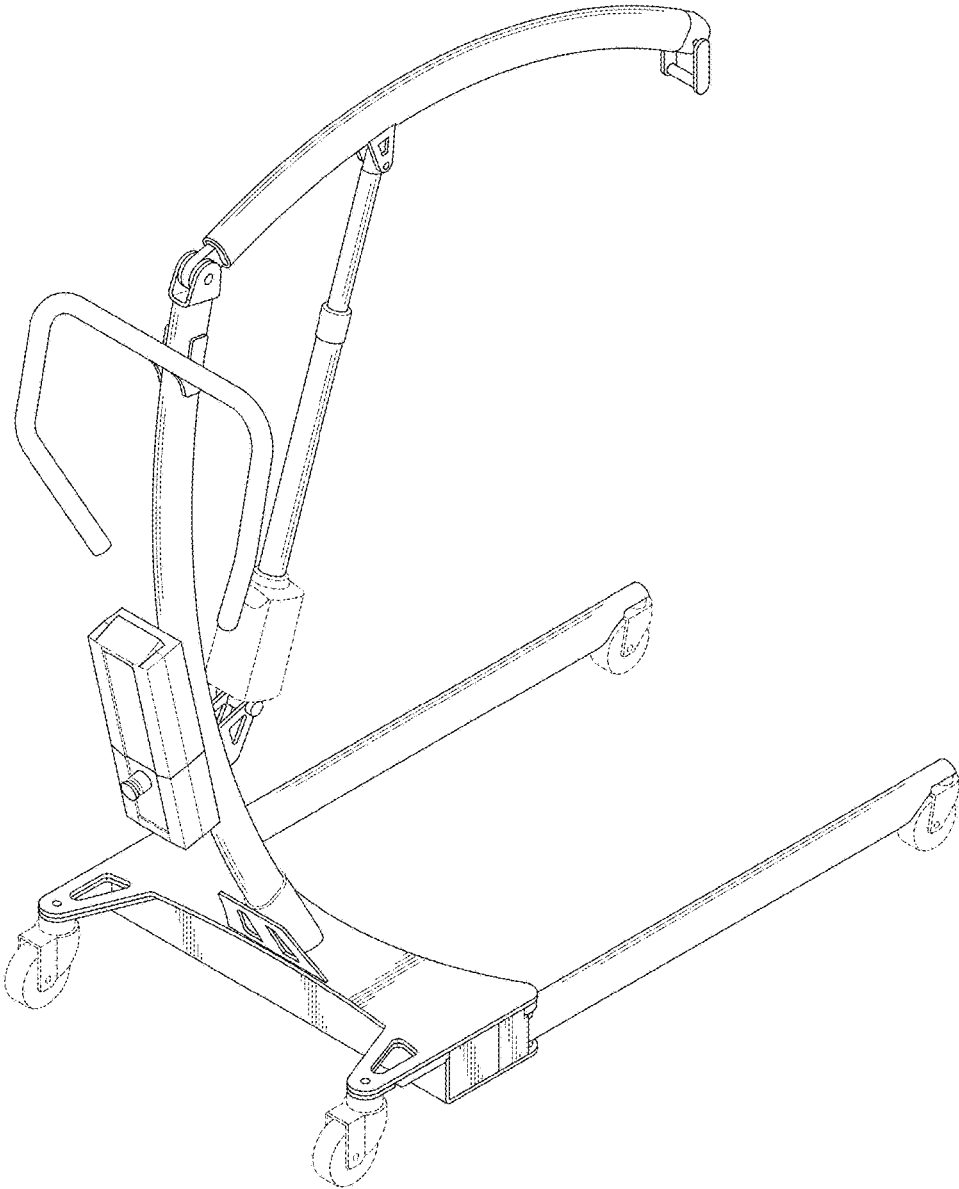


FIG. 1

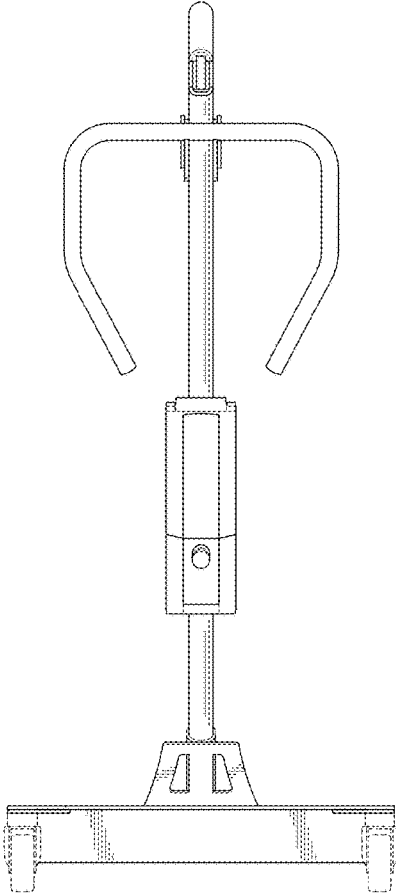


FIG. 2

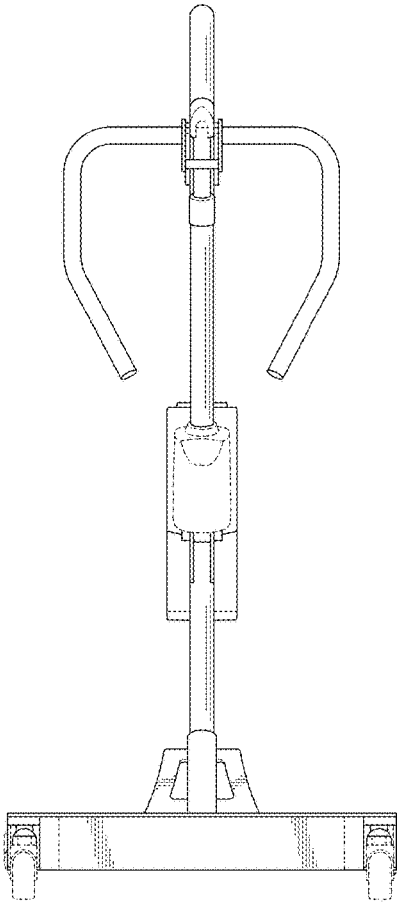


FIG. 3

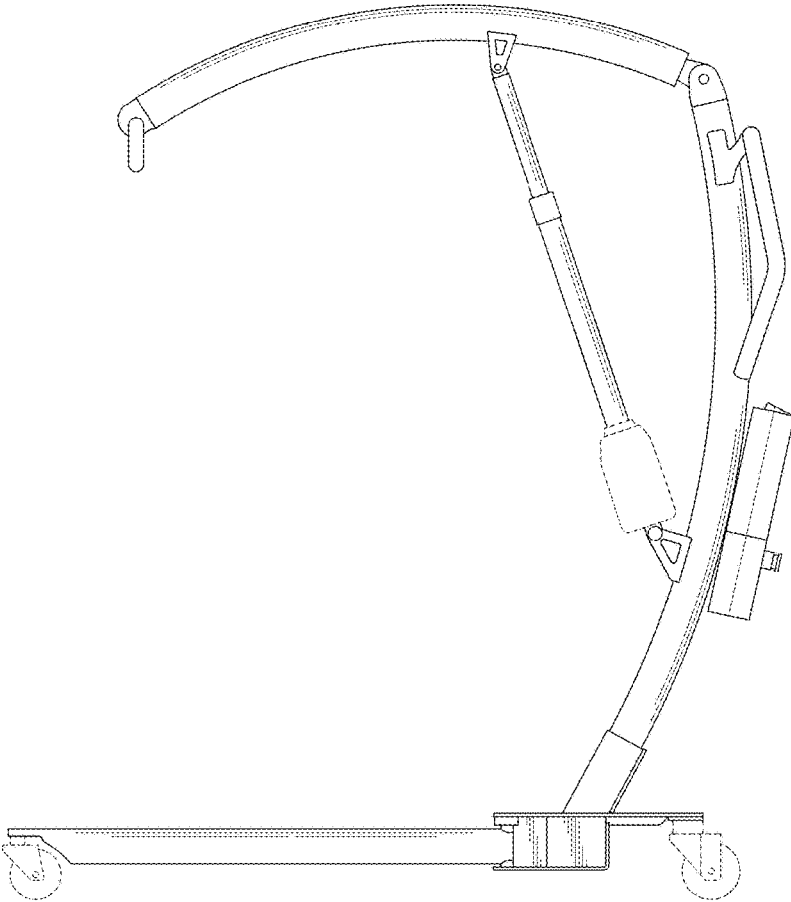


FIG. 4

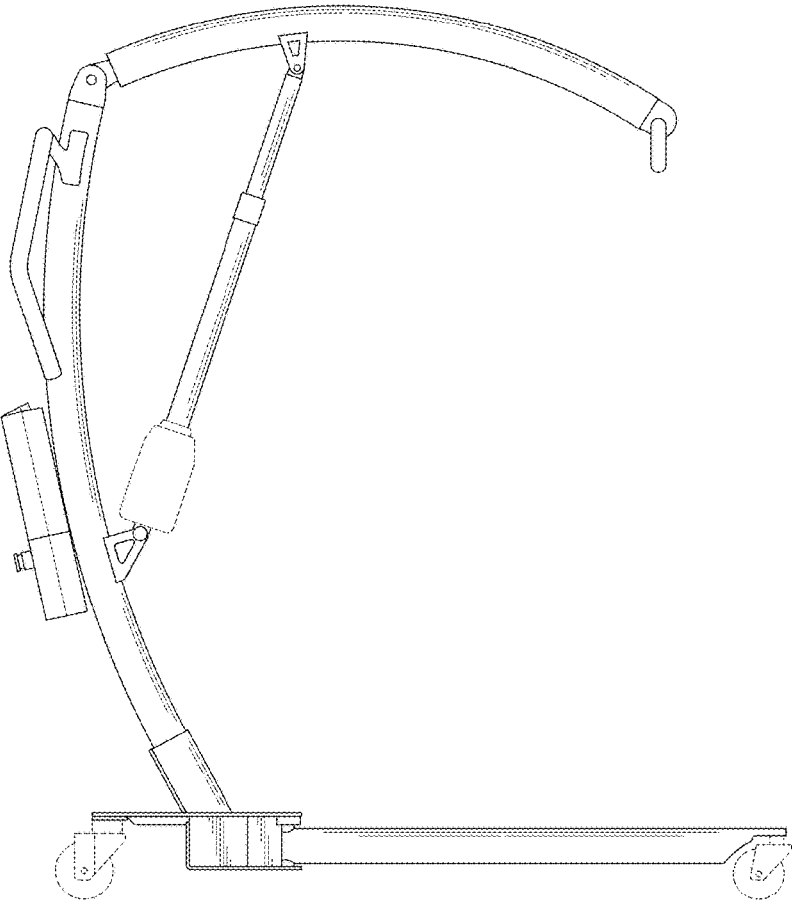


FIG. 5

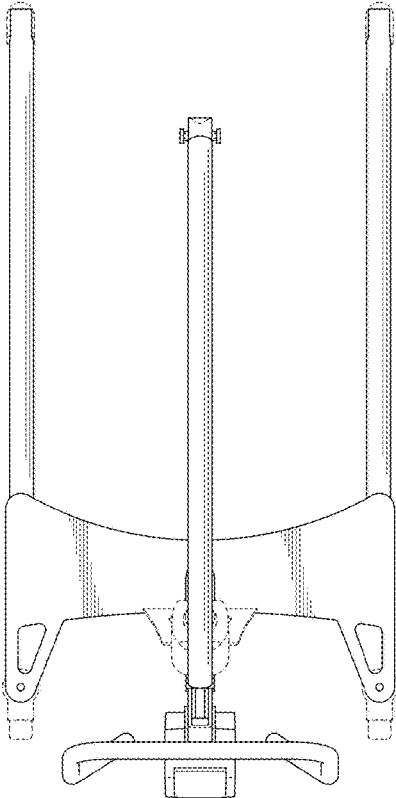


FIG. 6

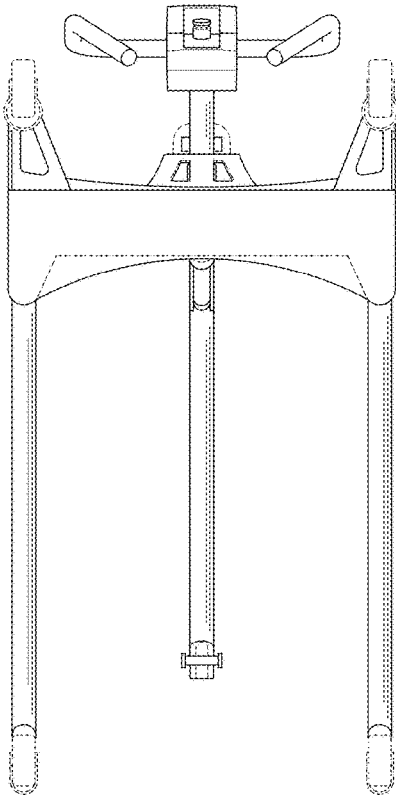


FIG. 7