



(51) International Patent Classification:
H02H 7/26 (2006.01) *G01R 31/08* (2006.01)

(21) International Application Number:
PCT/US2013/035245

(22) International Filing Date:
4 April 2013 (04.04.2013)

(25) Filing Language: English

(26) Publication Language: English

(30) Priority Data:
61/619,972 4 April 2012 (04.04.2012) US
61/619,965 4 April 2012 (04.04.2012) US
13/856,173 3 April 2013 (03.04.2013) US

(71) Applicant (for all designated States except US):
SIEMENS INDUSTRY, INC. [US/US]; 3333 Old Milton Parkway, Alpharetta, Georgia 30005-4437 (US).

(72) Inventors; and

(71) Applicants (for US only): **SMIT, Andre** [US/US]; 9012 Meadow Mist Court, Raleigh, North Carolina 27617 (US). **STINSKIY, Alexandr S.** [KZ/US]; 1140 Newport Common Drive, Apt. 205, Knightdale, North Carolina 27545 (US).

(74) Agents: **DE LA ROSA, Jose R.** et al.; Siemens Corporation- Intellectual Property Dept., 170 Wood Avenue South, Iselin, New Jersey 08830 (US).

(81) Designated States (unless otherwise indicated, for every kind of national protection available): AE, AG, AL, AM,

AO, AT, AU, AZ, BA, BB, BG, BH, BN, BR, BW, BY, BZ, CA, CH, CL, CN, CO, CR, CU, CZ, DE, DK, DM, DO, DZ, EC, EE, EG, ES, FI, GB, GD, GE, GH, GM, GT, HN, HR, HU, ID, IL, IN, IS, JP, KE, KG, KM, KN, KP, KR, KZ, LA, LC, LK, LR, LS, LT, LU, LY, MA, MD, ME, MG, MK, MN, MW, MX, MY, MZ, NA, NG, NI, NO, NZ, OM, PA, PE, PG, PH, PL, PT, QA, RO, RS, RU, RW, SC, SD, SE, SG, SK, SL, SM, ST, SV, SY, TH, TJ, TM, TN, TR, TT, TZ, UA, UG, US, UZ, VC, VN, ZA, ZM, ZW.

(84) Designated States (unless otherwise indicated, for every kind of regional protection available): ARIPO (BW, GH, GM, KE, LR, LS, MW, MZ, NA, RW, SD, SL, SZ, TZ, UG, ZM, ZW), Eurasian (AM, AZ, BY, KG, KZ, RU, TJ, TM), European (AL, AT, BE, BG, CH, CY, CZ, DE, DK, EE, ES, FI, FR, GB, GR, HR, HU, IE, IS, IT, LT, LU, LV, MC, MK, MT, NL, NO, PL, PT, RO, RS, SE, SI, SK, SM, TR), OAPI (BF, BJ, CF, CG, CI, CM, GA, GN, GQ, GW, ML, MR, NE, SN, TD, TG).

Published:

- with international search report (Art. 21(3))
- before the expiration of the time limit for amending the claims and to be republished in the event of receipt of amendments (Rule 48.2(h))

(88) Date of publication of the international search report:
28 November 2013

(54) Title: SYSTEMS, METHODS AND APPARATUS FOR PROTECTING POWER DISTRIBUTION FEEDER SYSTEMS

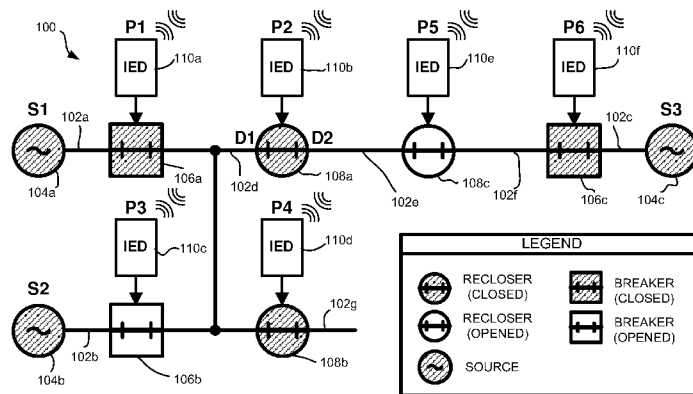


FIG. 1

(57) Abstract: A power distribution feeder system includes a plurality of power sources, a plurality of switching components coupled to the power sources by a plurality of line sections, and an IED coupled to each switching component and configured to monitor any line section coupled to the switching component, each IED containing protection logic configured to detect a jump in current on a faulted line section, communicate the jump in current to other IEDs coupled to the faulted line section, receive information from the other IEDs coupled to the faulted line section regarding any jump in current detected by the other IEDs, employ the received information from the other IEDs to confirm a fault in the faulted line section, and issue a trip command to isolate the faulted line section based on the current jump detected by the IED and current jump information received from other IEDs coupled to the line section.

WO 2013/152172 A3

INTERNATIONAL SEARCH REPORT

International application No
PCT/US2013/035245

A. CLASSIFICATION OF SUBJECT MATTER
INV. H02H7/26 G01R31/08
ADD.
According to International Patent Classification (IPC) or to both national classification and IPC

B. FIELDS SEARCHED
Minimum documentation searched (classification system followed by classification symbols)
H02H G01R
Documentation searched other than minimum documentation to the extent that such documents are included in the fields searched

Electronic data base consulted during the international search (name of data base and, where practicable, search terms used)
EPO-Internal, WPI Data

C. DOCUMENTS CONSIDERED TO BE RELEVANT

Category*	Citation of document, with indication, where appropriate, of the relevant passages	Relevant to claim No.
X	US 7 110 231 B1 (DE LA REE JAIME [US] ET AL) 19 September 2006 (2006-09-19) paragraphs [0029] - [0074]; figures 1-3 -----	1-10, 12-22, 24-29, 31,32

Further documents are listed in the continuation of Box C.

See patent family annex.

* Special categories of cited documents :

- "A" document defining the general state of the art which is not considered to be of particular relevance
- "E" earlier application or patent but published on or after the international filing date
- "L" document which may throw doubts on priority claim(s) or which is cited to establish the publication date of another citation or other special reason (as specified)
- "O" document referring to an oral disclosure, use, exhibition or other means
- "P" document published prior to the international filing date but later than the priority date claimed

- "T" later document published after the international filing date or priority date and not in conflict with the application but cited to understand the principle or theory underlying the invention
- "X" document of particular relevance; the claimed invention cannot be considered novel or cannot be considered to involve an inventive step when the document is taken alone
- "Y" document of particular relevance; the claimed invention cannot be considered to involve an inventive step when the document is combined with one or more other such documents, such combination being obvious to a person skilled in the art
- "&" document member of the same patent family

Date of the actual completion of the international search

25 September 2013

Date of mailing of the international search report

07/10/2013

Name and mailing address of the ISA/

European Patent Office, P.B. 5818 Patentlaan 2
NL - 2280 HV Rijswijk
Tel. (+31-70) 340-2040,
Fax: (+31-70) 340-3016

Authorized officer

Wilhelm, Gunther

INTERNATIONAL SEARCH REPORT

Information on patent family members

International application No

PCT/US2013/035245

Patent document cited in search report	Publication date	Patent family member(s)	Publication date
US 7110231	B1	NONE	