



US00D845895S

(12) **United States Design Patent**
Shum et al.

(10) **Patent No.:** **US D845,895 S**

(45) **Date of Patent:** **** Apr. 16, 2019**

(54) **PORTABLE WALL CHARGER**

(57) **CLAIM**

(71) Applicant: **Chargerito, LLC**, San Francisco, CA (US)

We claim the ornamental design for a portable wall charger, as shown and described.

(72) Inventors: **Allegra Shum**, San Francisco, CA (US); **Alexander Andon**, San Francisco, CA (US); **Dan Soha**, San Francisco, CA (US)

DESCRIPTION

(73) Assignee: **Chargerito, LLC**, San Francisco, CA (US)

FIG. 1 is a top, front, right side perspective view of a portable wall charger showing our new design in a first orientation;

(**) Term: **15 Years**

FIG. 2 is a top, rear, left side perspective view thereof in the first orientation;

(21) Appl. No.: **29/633,247**

FIG. 3 is a front elevation view thereof in the first orientation;

(22) Filed: **Jan. 12, 2018**

FIG. 4 is a rear elevation view thereof in the first orientation;

(51) **LOC (11) Cl.** **13-02**

FIG. 5 is a left side elevation view thereof in the first orientation;

(52) **U.S. Cl.**

FIG. 6 is a right side elevation view thereof in the first orientation;

USPC **D13/108**

FIG. 7 is a top plan view thereof in the first orientation;

(58) **Field of Classification Search**

FIG. 8 is a bottom plan view thereof in the first orientation;

USPC D13/107-110, 118-119, 184, 199;

FIG. 9 is a top, front, right side perspective view thereof in a second orientation;

D14/251, 253, 432, 434

FIG. 10 is a top, rear, left side perspective view thereof in the second orientation;

CPC Y02E 60/12; Y02T 90/14; Y02T 90/122;

FIG. 11 is a front elevation view thereof in the second orientation;

Y02T 90/128; Y02T 90/163; H02J 7/025;

FIG. 12 is a rear elevation view thereof in the second orientation;

H02J 7/0042; H02J 7/0044; H02J 7/0045;

FIG. 13 is a left side elevation view thereof in the second orientation;

H02J 7/0003; H01F 38/14; H01R

FIG. 14 is a right side elevation view thereof in the second orientation;

13/6675; H01M 2/1022; H01M 2/1055;

FIG. 15 is a top plan view thereof in the second orientation;

H01M 10/44;

and,

(Continued)

FIG. 16 is a bottom plan view thereof in the second orientation.

(56) **References Cited**

In FIGS. 1, 3-7, 10, 12, 14 and 15, the broken lines illustrating a connecting member are for the purpose of illustrating portions of the article which form no part of the claimed design.

U.S. PATENT DOCUMENTS

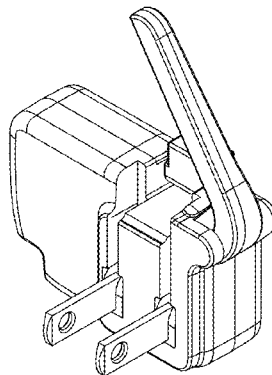
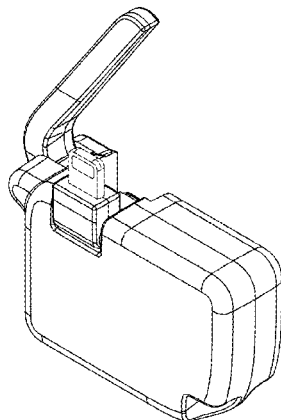
D693,764 S * 11/2013 Hok Man D13/108
D742,309 S * 11/2015 Sumida D13/108

(Continued)

Primary Examiner — Rosemary K Tarcza

(74) *Attorney, Agent, or Firm* — Bush Intellectual Property Law; Kenneth M. Bush

1 Claim, 8 Drawing Sheets



(58) **Field of Classification Search**
CPC ... H01M 10/46; H01M 10/425; B60L 11/182
See application file for complete search history.

(56) **References Cited**

U.S. PATENT DOCUMENTS

9,236,699	B2 *	1/2016	Lai	H01R 31/065
D780,725	S *	3/2017	Kim	D13/110
D798,233	S *	9/2017	Huang	D13/108
D799,422	S *	10/2017	Chen	D13/108
D804,412	S *	12/2017	Huang	D13/108

* cited by examiner

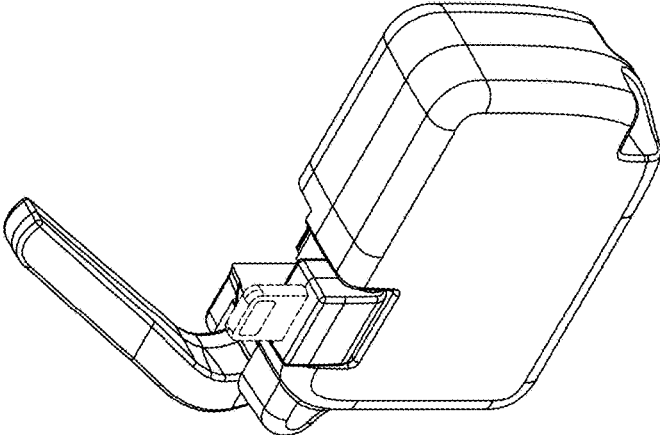


FIG. 1

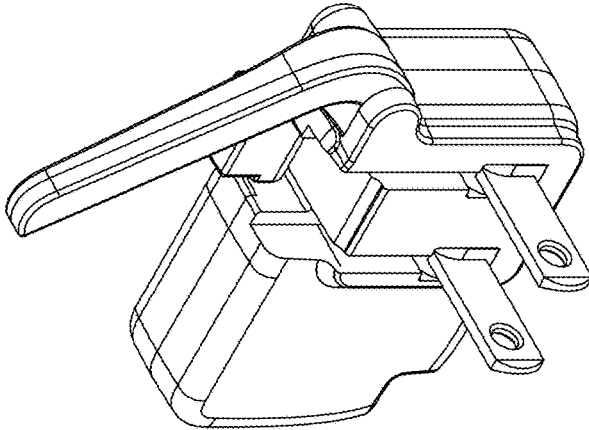


FIG. 2

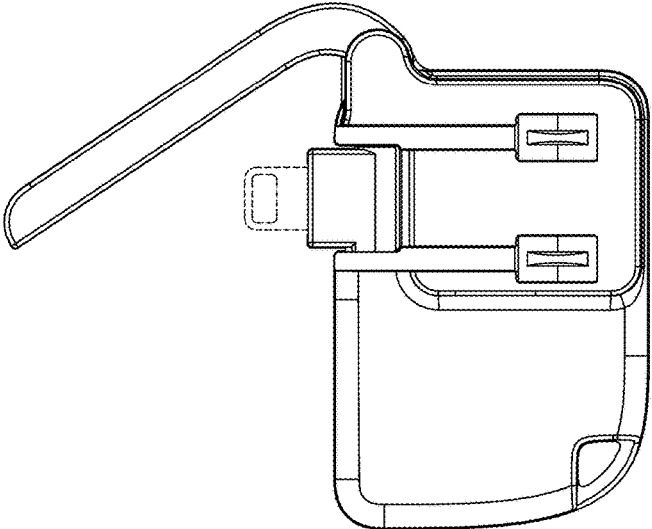


FIG. 4

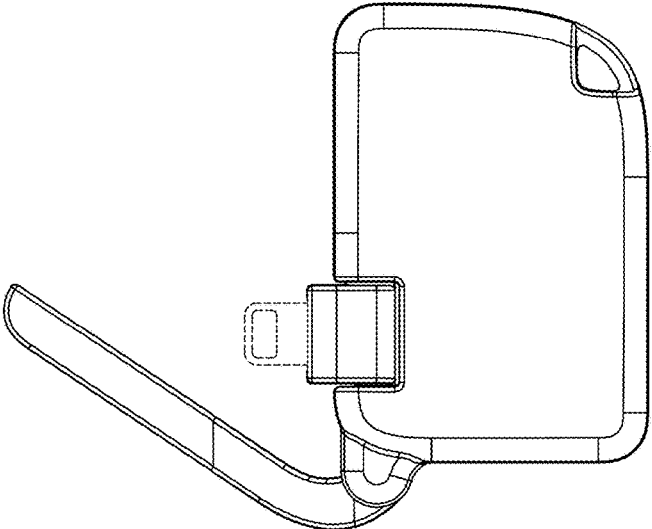


FIG. 3

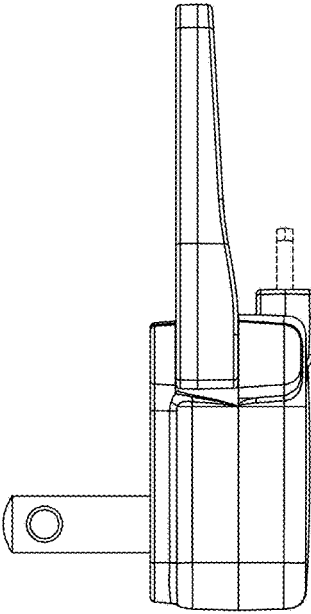


FIG. 5

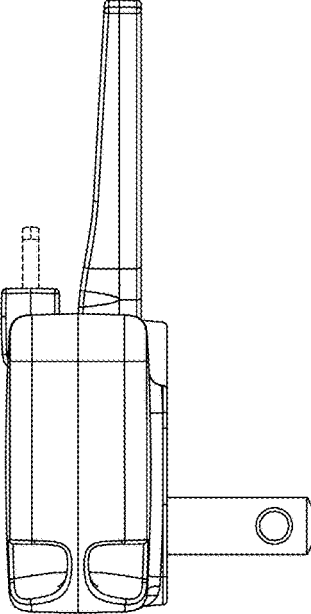


FIG. 6

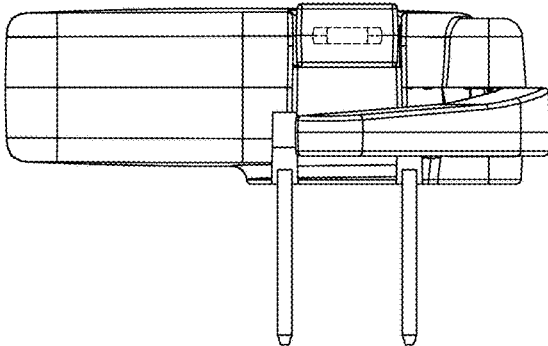


FIG. 7

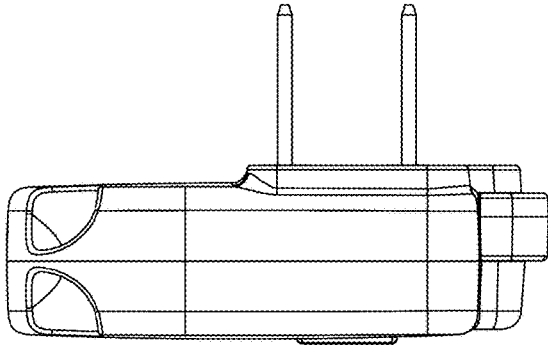


FIG. 8

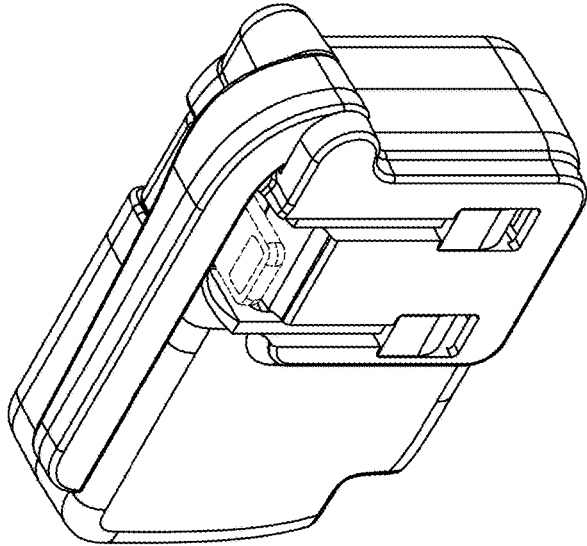


FIG. 10

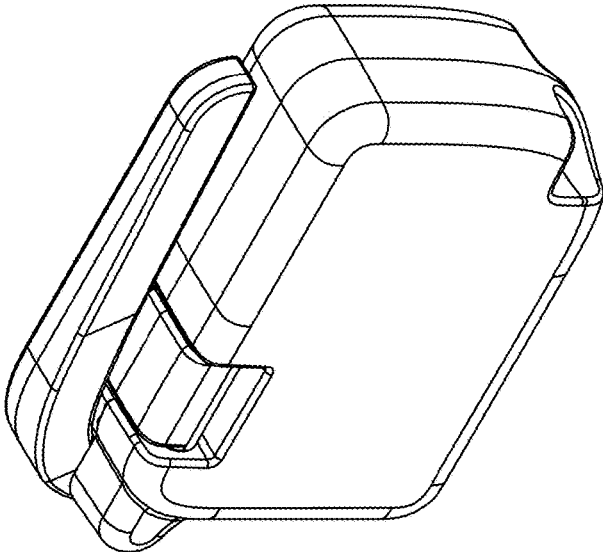


FIG. 9

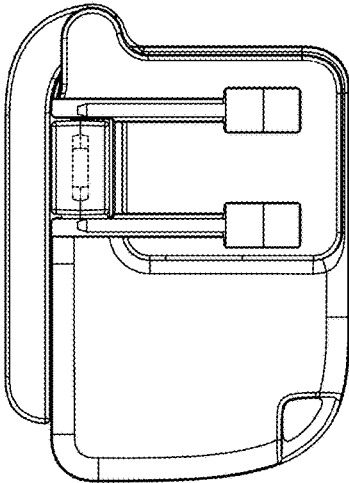


FIG. 11

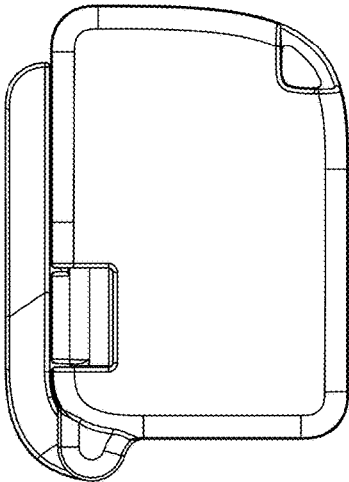


FIG. 12

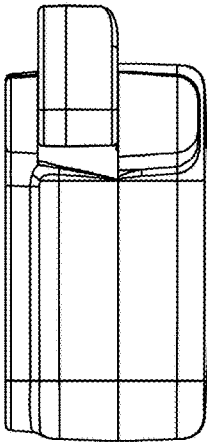


FIG. 13

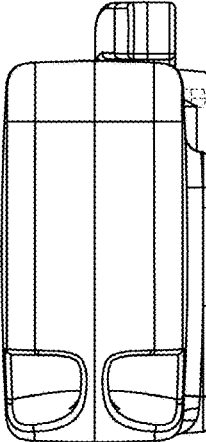


FIG. 14

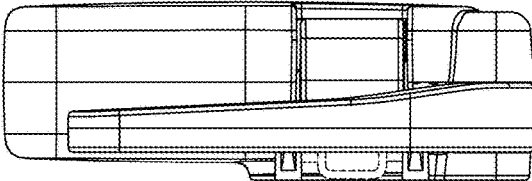


FIG. 15

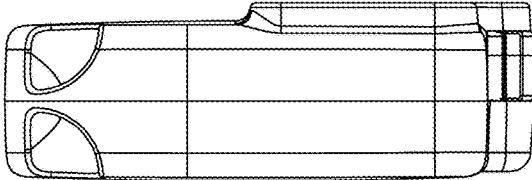


FIG. 16