

(19) World Intellectual Property Organization
International Bureau



(43) International Publication Date
26 July 2007 (26.07.2007)

PCT

(10) International Publication Number
WO 2007/084833 A3

(51) International Patent Classification:
E04H 1/00 (2006.01) E04B 2/00 (2006.01)
E04B 7/04 (2006.01) E04B 1/00 (2006.01)

GB, GD, GE, GH, GM, GT, HN, HR, HU, ID, IL, IN, IS, JP, KE, KG, KM, KN, KP, KR, KZ, LA, LC, LK, LR, LS, LT, LU, LV, LY, MA, MD, MG, MK, MN, MW, MX, MY, MZ, NA, NG, NI, NO, NZ, OM, PG, PH, PL, PT, RO, RS, RU, SC, SD, SE, SG, SK, SL, SM, SV, SY, TJ, TM, TN, TR, TT, TZ, UA, UG, US, UZ, VC, VN, ZA, ZM, ZW

(21) International Application Number:
PCT/US2007/060440

(22) International Filing Date: 12 January 2007 (12.01.2007)

(84) Designated States (unless otherwise indicated, for every kind of regional protection available): ARIPO (BW, GH, GM, KE, LS, MW, MZ, NA, SD, SL, SZ, TZ, UG, ZM, ZW), Eurasian (AM, AZ, BY, KG, KZ, MD, RU, TJ, TM), European (AT, BE, BG, CH, CY, CZ, DE, **DK**, EE, ES, FI, FR, GB, GR, HU, IE, **IS**, **IT**, LT, LU, LV, MC, NL, PL, PT, **RO**, SE, **SI**, SK, TR), OAPI (BF, **BJ**, CF, CG, CI, CM, GA, GN, GQ, GW, ML, **MR**, NE, SN, TD, TG).

(25) Filing Language: English

(26) Publication Language: English

(30) Priority Data:
60/758,676 13 January 2006 (13.01.2006) US

(71) Applicant and
(72) Inventor: **DIAMOND, Martin** [US/US]; Box 750
Chaphe Hill Road, Erieville, NY 13061 (US).

Declaration under Rule 4.17:
— of inventorship (Rule 4.17(iv))

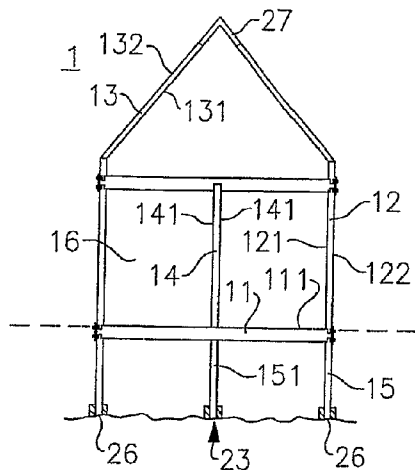
(74) Agents: **BURR, Stephen, P.** et al; Burr & Brown, P.O.
Box 7068, Syracuse, NY 13261-7068 (US).

Published:
— with international search report
— before the expiration of the time limit for amending the claims and to be republished in the event of receipt of amendments

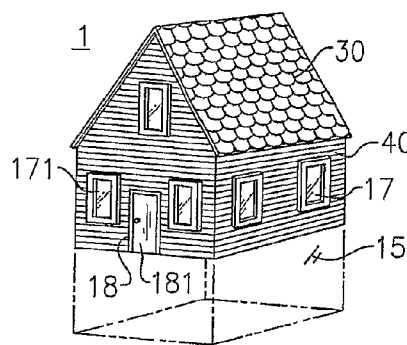
(81) Designated States (unless otherwise indicated, for every kind of national protection available): AE, AG, AL, AM, AT, AU, AZ, BA, BB, BG, BR, BW, BY, BZ, CA, CH, CN, CO, CR, CU, CZ, DE, DK, DM, DZ, EC, EE, EG, ES, FI,

(88) Date of publication of the international search report:
9 October 2008

(54) Title: MODULAR DWELLING STRUCTURE MADE FROM RECYCLED TIRE MATERIALS, A KIT FOR SAME AND A METHOD OF ASSEMBLING SAME



(A)



(B)

(57) Abstract: A kit for a modular dwelling structure is provided, including a plurality of panels having predetermined dimensions. Each panel is made of a recycled tire material. A plurality of engagement members are also provided for maintaining the panels in a predetermined configuration to form the shape of the dwelling structure. A kit for providing the modular dwelling structure is also provided, as well as a method for assembling the modular dwelling structure.

WO 2007/084833 A3

INTERNATIONAL SEARCH REPORT

International application No

PCT/US07/60440

A CLASSIFICATION OF SUBJECT MATTERIPC **E04H 1/00**(2006 01),E04B **7/04**(2006 01),E04B **2/00**(2006 01),E04B **1/00**(2006 01)

USPC 52/79 1,93 1,439,745 03

According to International Patent Classification (IPC) or to both national classification and IPC

B FIELDS SEARCHED

Minimum documentation searched (classification system followed by classification symbols)

U S 52/79 1,93 1,439,745 03

Documentation searched other than minimum documentation to the extent that such documents are included in the fields searched

Electronic data base consulted during the international search (name of data base and, where practicable, search terms used)

C DOCUMENTS CONSIDERED TO BE RELEVANT

Category *	Citation of document, with indication, where appropriate, of the relevant passages	Relevant to claim No
Y	US 2005/0066587 A1 (BRISSON) 31 March 2005 (31 03 2006), figs 1a-e, 2a-b, 12a-c, paragraphs 0009, 0086, 0089, 0093, 0107, 0010 & 0113	1-6 & 17
Y	US 2006/0003044 A1 (DiNELLO) 05 January 2006 (05 01 2006), paragraphs 0005, 0014 & 0066	1 & 13
Y	US 6,604,328 B1 (PADDOCK) 12 August 2003 (12 08 2003), figs 1, 3-5, 7, 16 & columns 15 lines 1-10, 2 lines 57-58, 6 lines 59-61, 4 lines 5-21, 11 lines 18-21, 43-47	7-9, 12, 13, 16, 18-20
Y	US 2006/0053701 A1 (LOESCH) 16 March 2006 (16 03 2006), figs 7b, 13, 14 & paragraphs 0050 & claim 2	10, 11, 14
Y	US 6,076,320 (BUTLER) 20 June 2000 (20 06 2000), fig 1 & columns 3 lines 5-11, 4 lines 5-13, 18 lines 55-56 & claim 1	15

D Further documents are listed in the continuation of Box C See patent family annex

* Special categories of cited documents	"T"	later document published after the international filing date or priority date and not in conflict with the application but cited to understand the principle or theory underlying the invention
"A" document defining the general state of the art which is not considered to be of particular relevance	"X"	document of particular relevance, the claimed invention cannot be considered novel or cannot be considered to involve an inventive step when the document is taken alone
"E" earlier application or patent published on or after the international filing date	"Y"	document of particular relevance, the claimed invention cannot be considered to involve an inventive step when the document is combined with one or more other such documents, such combination being obvious to a person skilled in the art
"L" document which may throw doubts on priority claim(s) or which is cited to establish the publication date of another citation or other special reason (as specified)	"&."	document member of the same patent family
"O" document referring to an oral disclosure, use, exhibition or other means		
"P" document published prior to the international filing date but later than the priority date claimed		

Date of the actual completion of the international search

26 June 2008 (26 06 2008)

Date of mailing of the international search report

20 JUL LUVO

Name and mailing address of the ISA/US

Mail Stop PCT, Attn ISA/US
Commissioner for Patents
P O Box 1450
Alexandria, Virginia 22313-1450

Facsimile No (571) 273-3201

Authorized officer

Richard E Chilcot

Telephone No 571-270-2800