



(51) International Patent Classification:
F01D 5/14 (2006.01)

(21) International Application Number:
PCT/US2015/015579

(22) International Filing Date:
12 February 2015 (12.02.2015)

(25) Filing Language: English

(26) Publication Language: English

(30) Priority Data:
61/941,614 19 February 2014 (19.02.2014) US

(71) Applicant: UNITED TECHNOLOGIES CORPORATION [US/US]; One Financial Plaza, Hartford, Connecticut 06101 (US).

(72) Inventors: GALLAGHER, Edward J.; 21 Porter Drive, West Hartford, Connecticut 06117 (US). BRILLIANT, Lisa I.; 123 Greenview Terrace, Middletown, Connecticut 06457 (US). STRACCIA, Joseph C.; 47 Trolley Crossing Lane, Middletown, Connecticut 06457 (US). BAL-AMUCKI, Stanley J.; 2866 Bernay Court, The Villages, Florida 32163 (US). STEPHENS, Mark A.; 328 Wolcott Hill Rd., Wethersfield, Connecticut 06109 (US). HUDON, Kate; 2175 Andrew Drive, Superior, Colorado 80027 (US).

(74) Agent: GOTTSCHALK, William S.; Carlson, Gaskey & Olds, P.C., 400 West Maple Road, Suite 350, Birmingham, Michigan 48009 (US).

(81) Designated States (unless otherwise indicated, for every kind of national protection available): AE, AG, AL, AM, AO, AT, AU, AZ, BA, BB, BG, BH, BN, BR, BW, BY, BZ, CA, CH, CL, CN, CO, CR, CU, CZ, DE, DK, DM, DO, DZ, EC, EE, EG, ES, FI, GB, GD, GE, GH, GM, GT, HN, HR, HU, ID, IL, IN, IR, IS, JP, KE, KG, KN, KP, KR, KZ, LA, LC, LK, LR, LS, LU, LY, MA, MD, ME, MG, MK, MN, MW, MX, MY, MZ, NA, NG, NI, NO, NZ, OM, PA, PE, PG, PH, PL, PT, QA, RO, RS, RU, RW, SA, SC, SD, SE, SG, SK, SL, SM, ST, SV, SY, TH, TJ, TM, TN, TR, TT, TZ, UA, UG, US, UZ, VC, VN, ZA, ZM, ZW.

(84) Designated States (unless otherwise indicated, for every kind of regional protection available): ARIPO (BW, GH, GM, KE, LR, LS, MW, MZ, NA, RW, SD, SL, ST, SZ, TZ, UG, ZM, ZW), Eurasian (AM, AZ, BY, KG, KZ, RU, TJ, TM), European (AL, AT, BE, BG, CH, CY, CZ, DE, DK, EE, ES, FI, FR, GB, GR, HR, HU, IE, IS, IT, LT, LU, LV, MC, MK, MT, NL, NO, PL, PT, RO, RS, SE, SI, SK, SM, TR), OAPI (BF, BJ, CF, CG, CI, CM, GA, GN, GQ, GW, KM, ML, MR, NE, SN, TD, TG).

Published:

— without international search report and to be republished upon receipt of that report (Rule 48.2(g))

(54) Title: GAS TURBINE ENGINE AIRFOIL

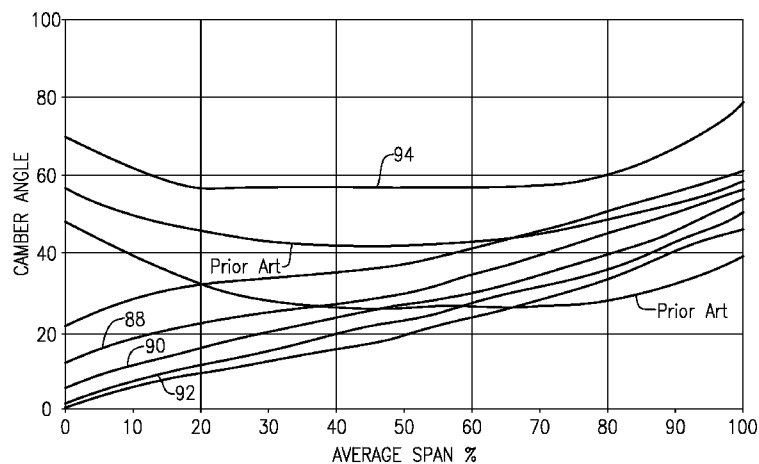


FIG.6

(57) Abstract: An airfoil of a turbine engine includes pressure and suction sides and extends in a radial direction from a 0% span position to a 100% span position. The airfoil has a relationship between a camber angle and span position that defines a curve with the camber angle having a positive slope from 0% span to 100% span.

WO 2015/175044 A2

GAS TURBINE ENGINE AIRFOIL

CROSS-REFERENCE TO RELATED APPLICATIONS

[0001] This application claims priority to United States Provisional Application No. 61/941,614, which was filed on February 19, 2014 and is incorporated herein by reference.

BACKGROUND

[0002] This disclosure relates to gas turbine engine airfoils. More particularly the disclosure relates to airfoil camber in, for example, a gas turbine engine compressor.

[0003] A turbine engine such as a gas turbine engine typically includes a fan section, a compressor section, a combustor section and a turbine section. Air entering the compressor section is compressed and delivered into the combustor section where it is mixed with fuel and ignited to generate a high-speed exhaust gas flow. The high-speed exhaust gas flow expands through the turbine section to drive the compressor and the fan section. The compressor section typically includes at least low and high pressure compressors, and the turbine section includes at least low and high pressure turbines.

[0004] Direct drive gas turbine engines include a fan section that is driven directly by one of the turbine shafts. Rotor blades in the fan section and a low pressure compressor of the compressor section of direct drive engines rotate in the same direction.

[0005] Gas turbine engines have been proposed in which a geared architecture is arranged between the fan section and at least some turbines in the turbine section. The geared architecture enables the associated compressor of the compressor section to be driven at much higher rotational speeds, improving overall efficiency of the engine. The propulsive efficiency of a gas turbine engine depends on many different factors, such as the design of the engine and the resulting performance debits on the fan that propels the engine and the compressor section downstream from the fan. Physical interaction between the fan and the air causes downstream turbulence and further losses. Although some basic principles behind such losses are understood, identifying and changing appropriate design factors to reduce such losses for a given engine architecture has proven to be a complex and elusive task.

[0006] Prior compressor airfoil geometries may not be suitable for the compressor section of gas turbine engines using a geared architecture, since the significantly different speeds of the compressor changes the desired aerodynamics of the airfoils within the compressor section. Counter-rotating fan and compressor blades, which may be used in geared architecture engines, also present design challenges.

SUMMARY

[0007] In one exemplary embodiment, an airfoil of a turbine engine includes pressure and suction sides and extends in a radial direction from a 0% span position to a 100% span position. The airfoil has a relationship between a camber angle and span position that defines a curve with the camber angle having a positive slope from 0% span to 100% span.

[0008] In a further embodiment of any of the above, the camber angle is less than 20° at 0% span.

[0009] In a further embodiment of any of the above, the camber angle is less than 30° at 30% span.

[0010] In a further embodiment of any of the above, the positive slope is generally linear from 40% span to 60% span.

[0011] In a further embodiment of any of the above, the positive slope is generally linear from 30% span to 80% span.

[0012] In another exemplary embodiment, a gas turbine engine includes a combustor section that is arranged between a compressor section and a turbine section. A fan section has an array of twenty-six or fewer fan blade. The fan section has a low fan pressure ratio of less than 1.55. A geared architecture couples the fan section to the turbine section or the compressor section. An airfoil includes pressure and suction sides and extends in a radial direction from a 0% span position to a 100% span position. The airfoil has a relationship between a camber angle and span position that defines a curve with the camber angle having a positive slope from 0% span to 100% span.

[0013] In a further embodiment of any of the above, the airfoil is arranged in the compressor section.

[0014] In a further embodiment of any of the above, the compressor section includes at least a low pressure compressor and a high pressure compressor. The high pressure compressor is arranged immediately upstream of the combustor section. The airfoil is provided in a compressor outside the high pressure compressor section.

[0015] In a further embodiment of any of the above, the low pressure compressor is counter-rotating relative to the fan blades.

[0016] In a further embodiment of any of the above, the gas turbine engine is a two-spool configuration.

[0017] In a further embodiment of any of the above, the low pressure compressor is immediately downstream from the fan section.

[0018] In a further embodiment of any of the above, the airfoil is rotationally fixed relative to an engine axis of an engine static structure.

[0019] In a further embodiment of any of the above, the camber angle is less than 20° at 0% span.

[0020] In a further embodiment of any of the above, the camber angle is less than 30° at 30% span.

[0021] In a further embodiment of any of the above, the positive slope is generally linear from 40% span to 60% span.

[0022] In a further embodiment of any of the above, the positive slope is generally linear from 30% span to 80% span.

[0023] In another exemplary embodiment, an airfoil of a turbine engine includes pressure and suction sides and extends in a radial direction from a 0% span position to a 100% span position. The airfoil has a relationship between a camber angle and span position that defines a curve with the camber angle of greater than 50° in a range of 40% span to 60% span.

[0024] In a further embodiment of any of the above, the camber angle is greater than 50° in a range of 20% span to 80% span.

[0025] In a further embodiment of any of the above, the camber angle is greater than 50° in a range of 0% span to 100% span.

[0026] In a further embodiment of any of the above, the camber angle is greater than 60° at 0% span.

[0027] In a further embodiment of any of the above, the camber angle is greater than 60° at 100% span.

[0028] In another exemplary embodiment, a gas turbine engine includes a combustor section that is arranged between a compressor section and a turbine section. A fan section has an array of twenty-six or fewer fan blades. The fan section has a low fan pressure ratio of less than 1.55. A geared architecture couples the fan section to the turbine section or the compressor section. An airfoil includes pressure and suction sides and extends in a radial direction from a 0% span position to a 100% span position. The airfoil has a relationship between a camber angle and span position that defines a curve with the camber angle of greater than 50° in a range of 40% span to 60% span.

[0029] In a further embodiment of any of the above, the airfoil is arranged in the compressor section.

[0030] In a further embodiment of any of the above, the compressor section includes at least a low pressure compressor and a high pressure compressor. The high pressure compressor is arranged immediately upstream of the combustor section. The airfoil is provided in a compressor outside the high pressure compressor section.

[0031] In a further embodiment of any of the above, the low pressure compressor is counter-rotating relative to the fan blades.

[0032] In a further embodiment of any of the above, the gas turbine engine is a two-spool configuration.

[0033] In a further embodiment of any of the above, the low pressure compressor is immediately downstream from the fan section.

[0034] In a further embodiment of any of the above, the airfoil is rotationally fixed relative to an engine axis of an engine static structure.

[0035] In a further embodiment of any of the above, the camber angle is greater than 50° in a range of 20% span to 80% span.

[0036] In a further embodiment of any of the above, the camber angle is greater than 50° in a range of 0% span to 100% span.

[0037] In a further embodiment of any of the above, the camber angle is greater than 60° at 0% span.

[0038] In a further embodiment of any of the above, the camber angle is greater than 60° at 100% span.

BRIEF DESCRIPTION OF THE DRAWINGS

[0039] The disclosure can be further understood by reference to the following detailed description when considered in connection with the accompanying drawings wherein:

[0040] Figure 1 schematically illustrates a gas turbine engine embodiment with a geared architecture.

[0041] Figure 2 schematically illustrates a low pressure compressor section of the gas turbine engine of Figure 1.

[0042] Figure 3 is a schematic view of airfoil span positions.

[0043] Figure 4 is a schematic view of a cross-section of an airfoil sectioned at a particular span position and depicting directional indicators.

[0044] Figure 5 is a schematic view of an airfoil depicting camber, or camber angle of the airfoil.

[0045] Figure 6 graphically depicts curves for several example airfoil camber angles relative to span, including two prior art curves and several inventive curves according to this disclosure.

[0046] The embodiments, examples and alternatives of the preceding paragraphs, the claims, or the following description and drawings, including any of their various aspects or respective individual features, may be taken independently or in any combination. Features described in connection with one embodiment are applicable to all embodiments, unless such features are incompatible.

DETAILED DESCRIPTION

[0047] Figure 1 schematically illustrates a gas turbine engine 20. The gas turbine engine 20 is disclosed herein as a two-spool turbofan that generally incorporates a fan section 22, a compressor section 24, a combustor section 26 and a turbine section 28. Alternative engines might include an augmentor section (not shown) among other systems or features. The fan section 22 drives air along a bypass flow path B in a bypass duct defined within a nacelle 15, while the compressor section 24 drives air along a core flow path C for compression and communication into the combustor section 26 then expansion through the turbine section 28. Although depicted as a two-spool turbofan gas turbine engine in the disclosed non-limiting embodiment, it should be understood that the concepts described herein are not limited to use with two-spool turbofans as the teachings may be applied to other types of turbine engines including three-spool architectures. That is, the disclosed airfoils may be used for engine configurations such as, for example, direct fan drives, or two- or three-spool engines with a speed change mechanism coupling the fan with a compressor or a turbine sections.

[0048] The exemplary engine 20 generally includes a low speed spool 30 and a high speed spool 32 mounted for rotation about an engine central longitudinal axis X relative to an engine static structure 36 via several bearing systems 38. It should be understood that various bearing systems 38 at various locations may alternatively or additionally be provided, and the location of bearing systems 38 may be varied as appropriate to the application.

[0049] The low speed spool 30 generally includes an inner shaft 40 that interconnects a fan 42, a first (or low) pressure compressor 44 and a first (or low) pressure turbine 46. The inner shaft 40 is connected to the fan 42 through a speed change mechanism, which in exemplary gas turbine engine 20 is illustrated as a geared architecture 48 to drive the fan 42 at a lower speed than the low speed spool 30. The high speed spool 32 includes an outer shaft 50 that interconnects a second (or high) pressure compressor 52 and a second (or high) pressure turbine 54. A combustor 56 is arranged in exemplary gas turbine 20 between the high pressure compressor 52 and the high pressure turbine 54. A mid-turbine frame 57 of the engine static structure 36 is arranged generally between the high pressure turbine 54 and the low pressure turbine 46. The mid-turbine frame 57 further supports bearing systems 38 in the turbine section 28. The inner shaft 40 and the outer shaft 50 are concentric and rotate via

bearing systems 38 about the engine central longitudinal axis X which is collinear with their longitudinal axes.

[0050] The core airflow is compressed by the low pressure compressor 44 then the high pressure compressor 52, mixed and burned with fuel in the combustor 56, then expanded over the high pressure turbine 54 and low pressure turbine 46. The mid-turbine frame 57 includes airfoils 59 which are in the core airflow path C. The turbines 46, 54 rotationally drive the respective low speed spool 30 and high speed spool 32 in response to the expansion. It will be appreciated that each of the positions of the fan section 22, compressor section 24, combustor section 26, turbine section 28, and fan drive gear system 48 may be varied. For example, gear system 48 may be located aft of combustor section 26 or even aft of turbine section 28, and fan section 22 may be positioned forward or aft of the location of gear system 48.

[0051] The engine 20 in one example is a high-bypass geared aircraft engine. In a further example, the engine 20 bypass ratio is greater than about six (6), with an example embodiment being greater than about ten (10), the geared architecture 48 is an epicyclic gear train, such as a planetary gear system or other gear system, with a gear reduction ratio of greater than about 2.3 and the low pressure turbine 46 has a pressure ratio that is greater than about five. In one disclosed embodiment, the engine 20 bypass ratio is greater than about ten (10:1), the fan diameter is significantly larger than that of the low pressure compressor 44, and the low pressure turbine 46 has a pressure ratio that is greater than about five (5:1). Low pressure turbine 46 pressure ratio is pressure measured prior to inlet of low pressure turbine 46 as related to the pressure at the outlet of the low pressure turbine 46 prior to an exhaust nozzle. The geared architecture 48 may be an epicyclic gear train, such as a planetary gear system or other gear system, with a gear reduction ratio of greater than about 2.3:1. It should be understood, however, that the above parameters are only exemplary of one embodiment of a geared architecture engine and that the present invention is applicable to other gas turbine engines including direct drive turbofans.

[0052] The example gas turbine engine includes the fan 42 that comprises in one non-limiting embodiment less than about twenty-six (26) fan blades. In another non-limiting embodiment, the fan section 22 includes less than about twenty (20) fan blades. Moreover, in one disclosed embodiment the low pressure turbine 46 includes no more than about six (6)

turbine rotors schematically indicated at 34. In another non-limiting example embodiment the low pressure turbine 46 includes about three (3) turbine rotors. A ratio between the number of fan blades 42 and the number of low pressure turbine rotors is between about 3.3 and about 8.6. The example low pressure turbine 46 provides the driving power to rotate the fan section 22 and therefore the relationship between the number of turbine rotors 34 in the low pressure turbine 46 and the number of blades 42 in the fan section 22 disclose an example gas turbine engine 20 with increased power transfer efficiency.

[0053] A significant amount of thrust is provided by the bypass flow B due to the high bypass ratio. The fan section 22 of the engine 20 is designed for a particular flight condition -- typically cruise at about 0.8 Mach and about 35,000 feet (10,668 meters). The flight condition of 0.8 Mach and 35,000 ft (10,668 meters), with the engine at its best fuel consumption - also known as "bucket cruise Thrust Specific Fuel Consumption ("TSFC")" - is the industry standard parameter of lbf of thrust divided by lbf of fuel being burned at that minimum point. "Low fan pressure ratio" is the pressure ratio across the fan blade alone, without a Fan Exit Guide Vane ("FEGV") system. The low fan pressure ratio as disclosed herein according to one non-limiting embodiment is less than about 1.55. In another non-limiting embodiment the low fan pressure ratio is less than about 1.45. In another non-limiting embodiment the low fan pressure ratio is from 1.1 to 1.45. "Low corrected fan tip speed" is the actual fan tip speed in ft/sec divided by an industry standard temperature correction of $[(T_{\text{fan}} \text{ } ^\circ\text{R}) / (518.7 \text{ } ^\circ\text{R})]^{0.5}$. The "Low corrected fan tip speed" as disclosed herein according to one non-limiting embodiment is less than about 1200 ft / second (365.7 meters/second).

[0054] Referring to Figure 2, which schematically illustrates an example low pressure compressor (LPC) 44, a variable inlet guide vane (IGV) is arranged downstream from a fan exit stator (FES). The figure is highly schematic, and the geometry and orientation of various features may be other than shown. An actuator driven by a controller actuates the IGV about their respective axes. Multiple airfoils are arranged downstream from the IGV. The airfoils include alternating stages of rotors (ROTOR1, ROTOR2, ROTOR3, ROTOR4) and stators (STATOR1, STATOR2, STATOR3, STATOR4). In the example shown in Figure 2, the LPC includes four rotors alternating with four stators. However, in another example, a

different number of rotors and stators may be used. Moreover, the IGV and stator stages may all be variable, fixed or a combination thereof.

[0055] The disclosed airfoils may be used in a low pressure compressor of a two spool engine or in portions of other compressor configurations, such as low, intermediate and/or high pressure areas of a three spool engine. However, it should be understood that any of the disclosed airfoils may be used for blades or vanes, and in any of the compressor section, turbine section and fan section.

[0056] Referring to Figure 3, span positions on an airfoil 64 are schematically illustrated from 0% to 100% in 10% increments. Each section at a given span position is provided by a conical cut that corresponds to the shape of the core flow path, as shown by the large dashed lines. In the case of an airfoil with an integral platform, the 0% span position corresponds to the radially innermost location where the airfoil meets the fillet joining the airfoil to the inner platform. In the case of an airfoil without an integral platform, the 0% span position corresponds to the radially innermost location where the discrete platform meets the exterior surface of the airfoil. For airfoils having no outer platform, such as blades, the 100% span position corresponds to the tip 66. For airfoils having no platform at the inner diameter, such as cantilevered stators, the 0% span position corresponds to the inner diameter location of the airfoil. For stators, the 100% span position corresponds to the outermost location where the airfoil meets the fillet joining the airfoil to the outer platform.

[0057] Airfoils in each stage of the LPC are specifically designed radially from an inner airfoil location (0% span) to an outer airfoil location (100% span) and along circumferentially opposite pressure and suction sides 72, 74 extending in chord between a leading and trailing edges 68, 70 (see Figure 4). Each airfoil is specifically twisted with a corresponding stagger angle and bent with specific sweep and/or dihedral angles along the airfoil. Airfoil geometric shapes, stacking offsets, chord profiles, stagger angles, sweep and dihedral angles, among other associated features, are incorporated individually or collectively to improve characteristics such as aerodynamic efficiency, structural integrity, and vibration mitigation, for example, in a gas turbine engine with a geared architecture in view of the higher LPC rotational speeds.

[0058] The airfoil 64 has an exterior surface 76 providing a contour that extends from a leading edge 68 generally aftward in a chord-wise direction H to a trailing edge 70, as

shown in Figure 4. Pressure and suction sides 72, 74 join one another at the leading and trailing edges 68, 70 and are spaced apart from one another in an airfoil thickness direction T. An array of airfoils 64 are positioned about the axis X (corresponding to an X direction) in a circumferential or tangential direction Y. Any suitable number of airfoils may be used for a particular stage in a given engine application.

[0059] The exterior surface 76 of the airfoil 64 generates lift based upon its geometry and directs flow along the core flow path C. The airfoil 64 may be constructed from a composite material, or an aluminum alloy or titanium alloy, or a combination of one or more of these. Abrasion-resistant coatings or other protective coatings may be applied to the airfoil. The rotor stages may be constructed as an integrally bladed rotor, if desired, or discrete blades having roots secured within corresponding rotor slots of a disc. The stators may be provided by individual vanes, clusters of vanes, or a full ring of vanes.

[0060] Airfoil geometries can be described with respect to various parameters provided. The disclosed graph(s) illustrate the relationships between the referenced parameters within 10% of the desired values, which correspond to a hot aerodynamic design point for the airfoil. In another example, the referenced parameters are within 5% of the desired values, and in another example, the reference parameters are within 2% of the desired values. It should be understood that the airfoils may be oriented differently than depicted, depending on the rotational direction of the blades. The signs (positive or negative) used, if any, in the graphs of this disclosure are controlling and the drawings should then be understood as a schematic representation of one example airfoil if inconsistent with the graphs. The signs in this disclosure, including any graphs, comply with the "right hand rule."

[0061] Figure 5 shows an isolated airfoil 64. As shown, the airfoil 64 is sectioned at a radial position between the inner airfoil location (0% span) and the outer airfoil location (100% span). A camber mean line ML, or metal line, lies within the airfoil section and is equidistant between the exterior surface of the pressure and suction sides 72, 74. A line 80 is tangent to the camber mean line ML at the leading edge 68, and a line 82 is tangent to the camber mean line ML at the trailing edge 70. The angle between a tangential plane PF normal to the engine axis X and the line 80 is the leading edge angle β_1^* . The angle between a tangential plane PR normal to the engine axis X and the line 82 is the leading edge angle β_2^* . The camber angle θ , or total camber angle, is the angle between the lines 80, 82. The

camber angle θ is the measure of the curve of the camber mean line ML and the airfoil 64. The camber angle θ varies with position along the span, and varies between a hot, running condition and a cold, static (“on the bench”) condition.

[0062] The geared architecture 48 of the disclosed example permits the fan 42 to be driven by the low pressure turbine 46 through the low speed spool 30 at a lower angular speed than the low pressure turbine 46, which enables the LPC 44 to rotate at higher, more useful speeds. The camber angle θ profile in a hot, running condition along the span of the airfoils 64 provides necessary compressor operation in cruise. As used herein, the hot, running condition is the condition during cruise of the gas turbine engine 20. For example, the camber angle θ profile in the hot, running condition can be determined in a known manner using finite element analysis.

[0063] Figure 6 illustrates the relationship between the camber angle and the average span (AVERAGE SPAN %), which is the average of the radial position at the leading and trailing edges 68, 70. In one example, the airfoils are LPC stator blades. Two prior art curves (“PRIOR ART”) are illustrated as well as several example inventive curves 88, 90, 92, 94. Referring to curves 88, 90, 92, the airfoil 64 has a relationship between a camber angle and span position that includes a curve with the camber angle having a positive slope from 0% span to 100% span, whereas the prior art curves have a decreasing camber angle for the first 30% span near the root. In the examples, the camber angle is less than 20° at 0% span, and, for example, the camber angle is less than 30° at 30% span. The positive slope is generally linear from 40% span to 60% span, and, for example, the positive slope is generally linear from 30% span to 80% span. In one example, the curves 88, 90, 92 correspond to an IGV which has a reduced amount a camber at the inner flow path to more effectively transition flow from the low speed fan to a high speed LPC.

[0064] Referring to curve 94, the airfoil 64 has a relationship between a camber angle and span position that includes a curve with the camber angle of greater than 50° in a range of 40% span to 60% span. In the example, the camber angle is greater than 50° in a range of 20% span to 80% span, and, for example, the camber angle is greater than 50° in a range of 0% span to 100% span. The curve 94 has a large amount of camber at the extremity of the airfoils. For example, the camber angle is greater than 60° at 0% span and greater than

60° at 100% span. In one example, the curve 94 may correspond to a last stage stator of a high LPC, which transitions flow to an adjacent intermediate or high speed compressor.

[0065] It should also be understood that although a particular component arrangement is disclosed in the illustrated embodiment, other arrangements will benefit herefrom. Although particular step sequences are shown, described, and claimed, it should be understood that steps may be performed in any order, separated or combined unless otherwise indicated and will still benefit from the present invention.

[0066] Although the different examples have specific components shown in the illustrations, embodiments of this invention are not limited to those particular combinations. It is possible to use some of the components or features from one of the examples in combination with features or components from another one of the examples.

[0067] Although an example embodiment has been disclosed, a worker of ordinary skill in this art would recognize that certain modifications would come within the scope of the claims. For that reason, the following claims should be studied to determine their true scope and content.

CLAIMS

What is claimed is:

1. An airfoil of a turbine engine comprising:
pressure and suction sides and extending in a radial direction from a 0% span position to a 100% span position, wherein the airfoil has a relationship between a camber angle and span position that defines a curve with the camber angle having a positive slope from 0% span to 100% span.
2. The airfoil according to claim 1, wherein the camber angle is less than 20° at 0% span.
3. The airfoil according to claim 2, wherein the camber angle is less than 30° at 30% span.
4. The airfoil according to claim 3, wherein the positive slope is generally linear from 40% span to 60% span.
5. The airfoil according to claim 4, wherein the positive slope is generally linear from 30% span to 80% span.

6. A gas turbine engine comprising:
 - a combustor section arranged between a compressor section and a turbine section;
 - a fan section having an array of twenty-six or fewer fan blades, wherein the fan section has a low fan pressure ratio of less than 1.55;
 - a geared architecture coupling the fan section to the turbine section or the compressor section; and
 - an airfoil including pressure and suction sides and extending in a radial direction from a 0% span position to a 100% span position at, wherein the airfoil has a relationship between a camber angle and span position that defines a curve with the camber angle having a positive slope from 0% span to 100% span.
7. The gas turbine engine according to claim 6, wherein the airfoil is arranged in the compressor section.
8. The gas turbine engine according to claim 7, wherein the compressor section includes at least a low pressure compressor and a high pressure compressor, the high pressure compressor arranged immediately upstream of the combustor section, the airfoil provided in a compressor outside the high pressure compressor section.
9. The gas turbine engine according to claim 8, wherein the low pressure compressor is counter-rotating relative to the fan blades.
10. The gas turbine engine according to claim 8, wherein the gas turbine engine is a two-spool configuration.
11. The gas turbine engine according to claim 8, wherein the low pressure compressor is immediately downstream from the fan section.
12. The gas turbine engine according to claim 8, wherein the airfoil is rotationally fixed relative to an engine axis of an engine static structure.

13. The gas turbine engine according to claim 6, wherein the camber angle is less than 20° at 0% span.

14. The gas turbine engine according to claim 13, wherein the camber angle is less than 30° at 30% span.

15. The gas turbine engine according to claim 14, wherein the positive slope is generally linear from 40% span to 60% span.

16. The gas turbine engine according to claim 15, wherein the positive slope is generally linear from 30% span to 80% span.

17. An airfoil of a turbine engine comprising:
pressure and suction sides and extending in a radial direction from a 0% span position to a 100% span position, wherein the airfoil has a relationship between a camber angle and span position that defines a curve with the camber angle of greater than 50° in a range of 40% span to 60% span.
18. The airfoil according to claim 17, wherein the camber angle is greater than 50° in a range of 20% span to 80% span.
19. The airfoil according to claim 18, wherein the camber angle is greater than 50° in a range of 0% span to 100% span.
20. The airfoil according to claim 19, wherein the camber angle is greater than 60° at 0% span.
21. The airfoil according to claim 19, wherein the camber angle is greater than 60° at 100% span.

22. A gas turbine engine comprising:
a combustor section arranged between a compressor section and a turbine section;
a fan section having an array of twenty-six or fewer fan blades, wherein the fan section has a low fan pressure ratio of less than 1.55;
a geared architecture coupling the fan section to the turbine section or the compressor section; and
an airfoil including pressure and suction sides and extending in a radial direction from a 0% span position to a 100% span position, wherein the airfoil has a relationship between a camber angle and span position that defines a curve with the camber angle of greater than 50° in a range of 40% span to 60% span.
23. The gas turbine engine according to claim 22, wherein the airfoil is arranged in the compressor section.
24. The gas turbine engine according to claim 23, wherein the compressor section includes at least a low pressure compressor and a high pressure compressor, the high pressure compressor arranged immediately upstream of the combustor section, the airfoil provided in a compressor outside the high pressure compressor section.
25. The gas turbine engine according to claim 24, wherein the low pressure compressor is counter-rotating relative to the fan blades.
26. The gas turbine engine according to claim 24, wherein the gas turbine engine is a two-spool configuration.
27. The gas turbine engine according to claim 24, wherein the low pressure compressor is immediately downstream from the fan section.
28. The gas turbine engine according to claim 24, wherein the airfoil is rotationally fixed relative to an engine axis of an engine static structure.

29. The gas turbine engine according to claim 22, wherein the camber angle is greater than 50° in a range of 20% span to 80% span.

30. The gas turbine engine according to claim 29, wherein the camber angle is greater than 50° in a range of 0% span to 100% span.

31. The gas turbine engine according to claim 30, wherein the camber angle is greater than 60° at 0% span.

32. The gas turbine engine according to claim 30, wherein the camber angle is greater than 60° at 100% span.

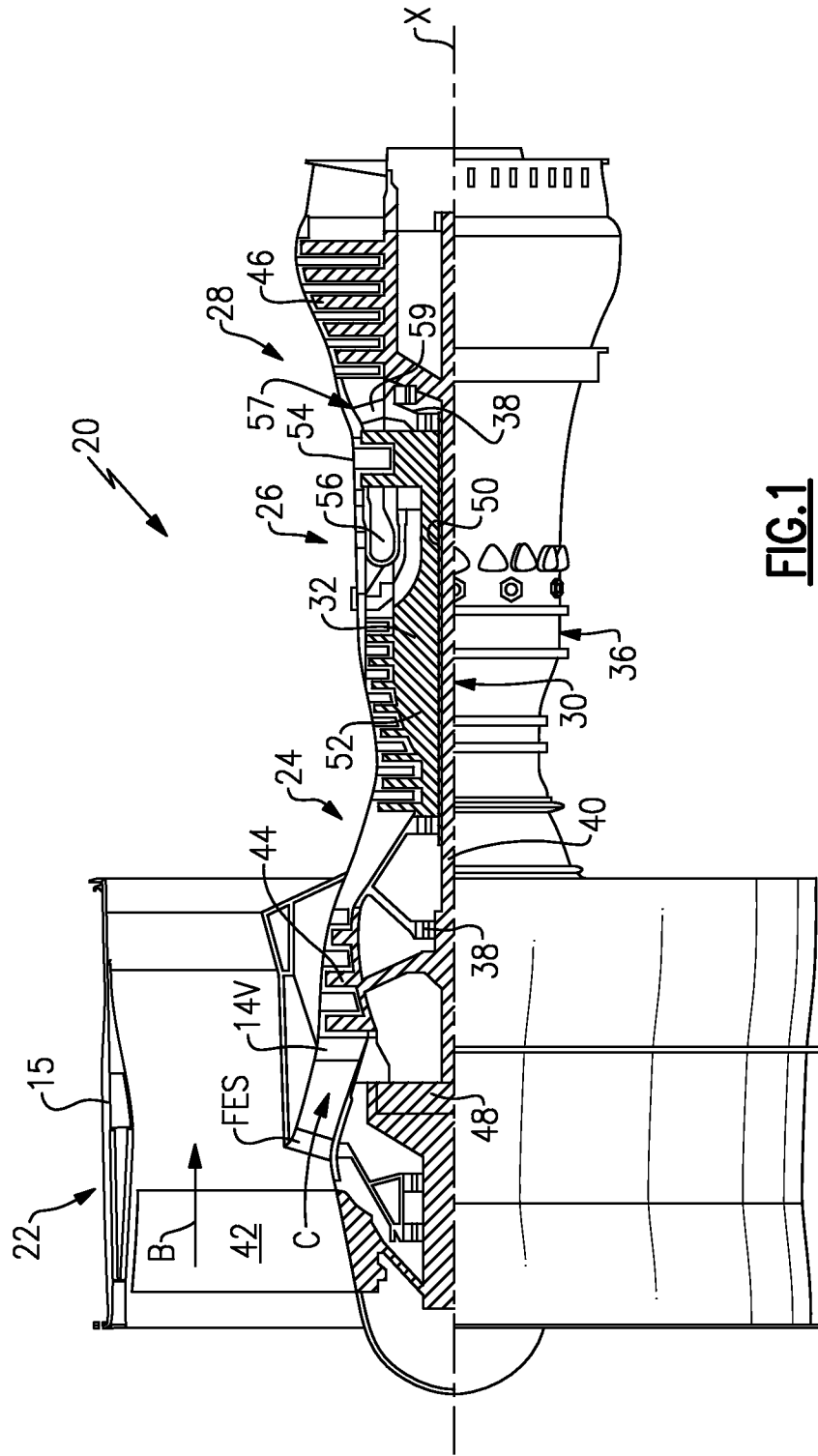


FIG. 1

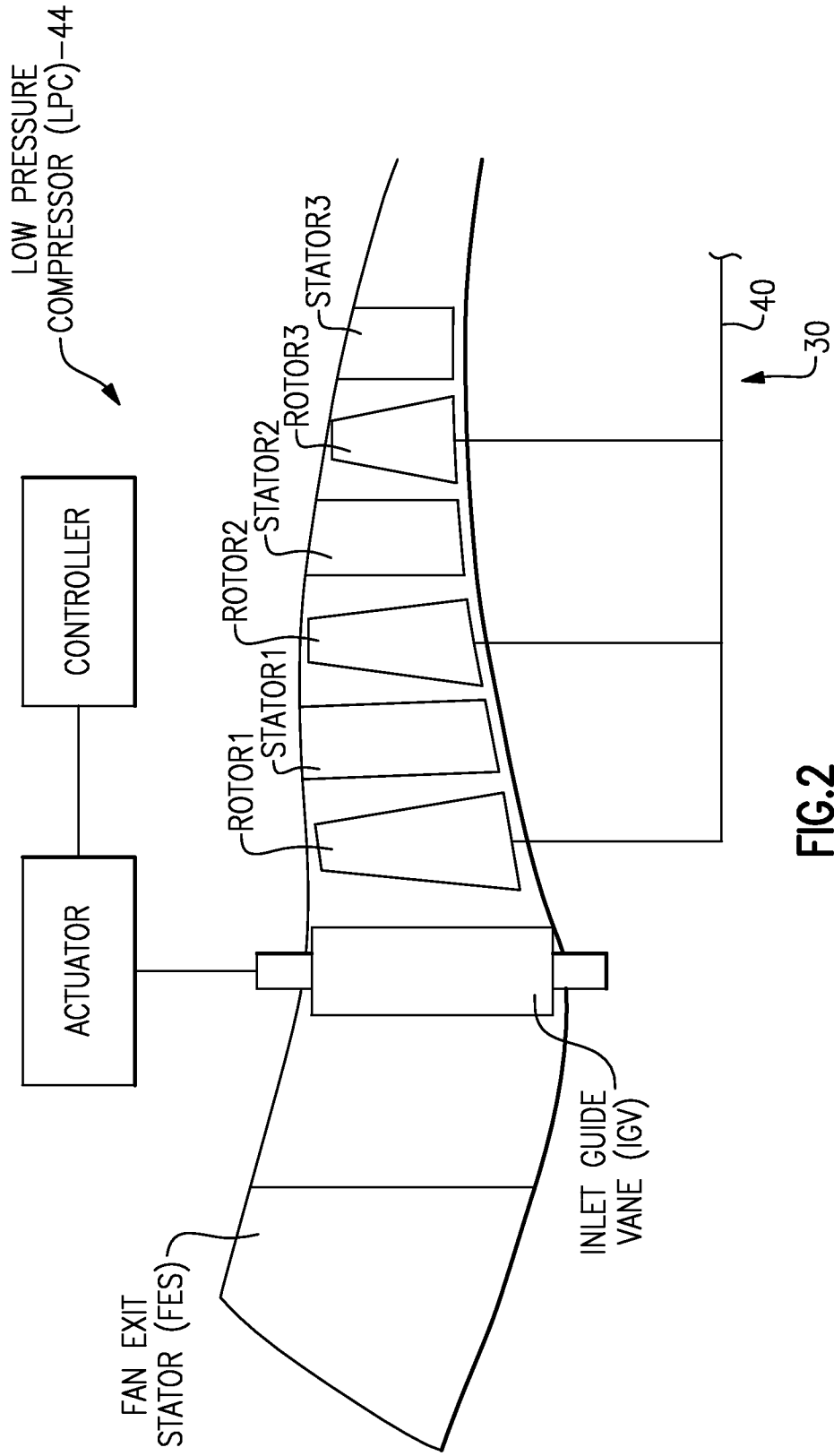
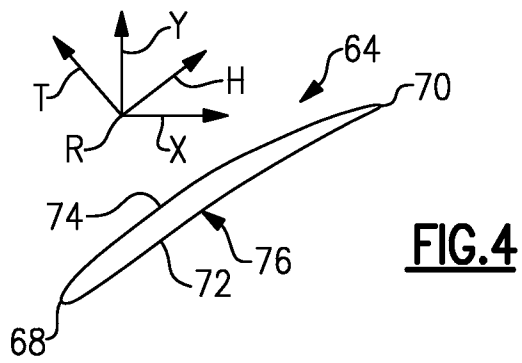
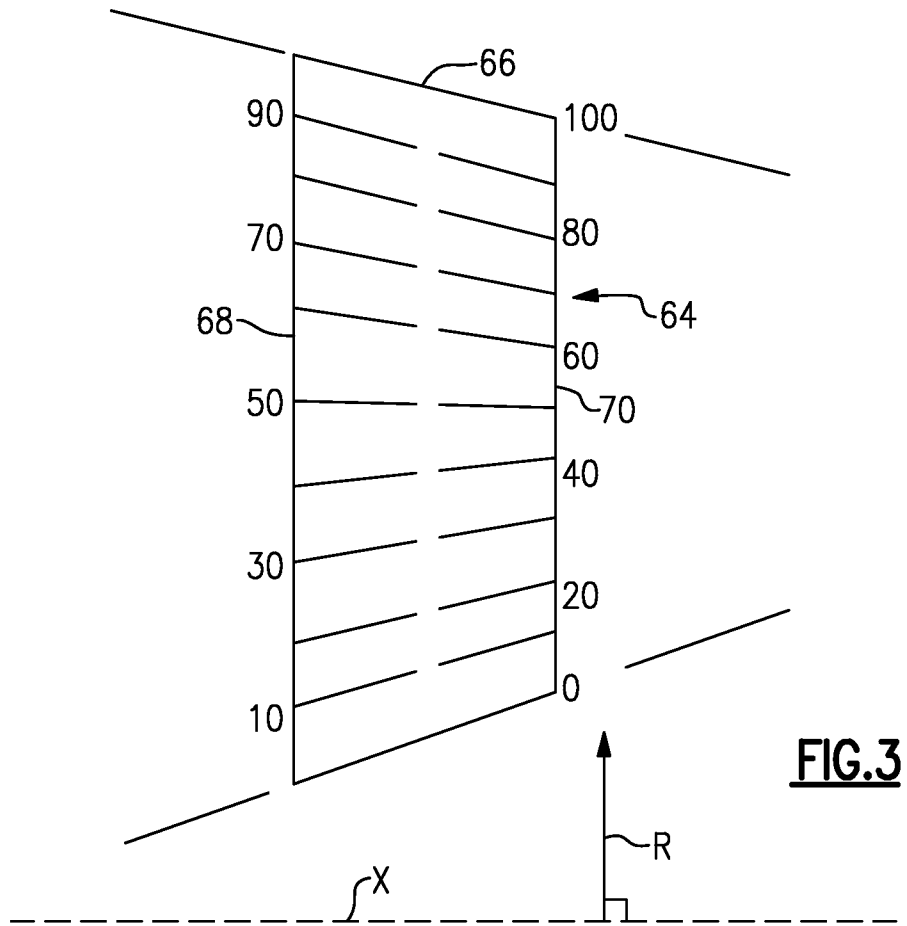


FIG.2



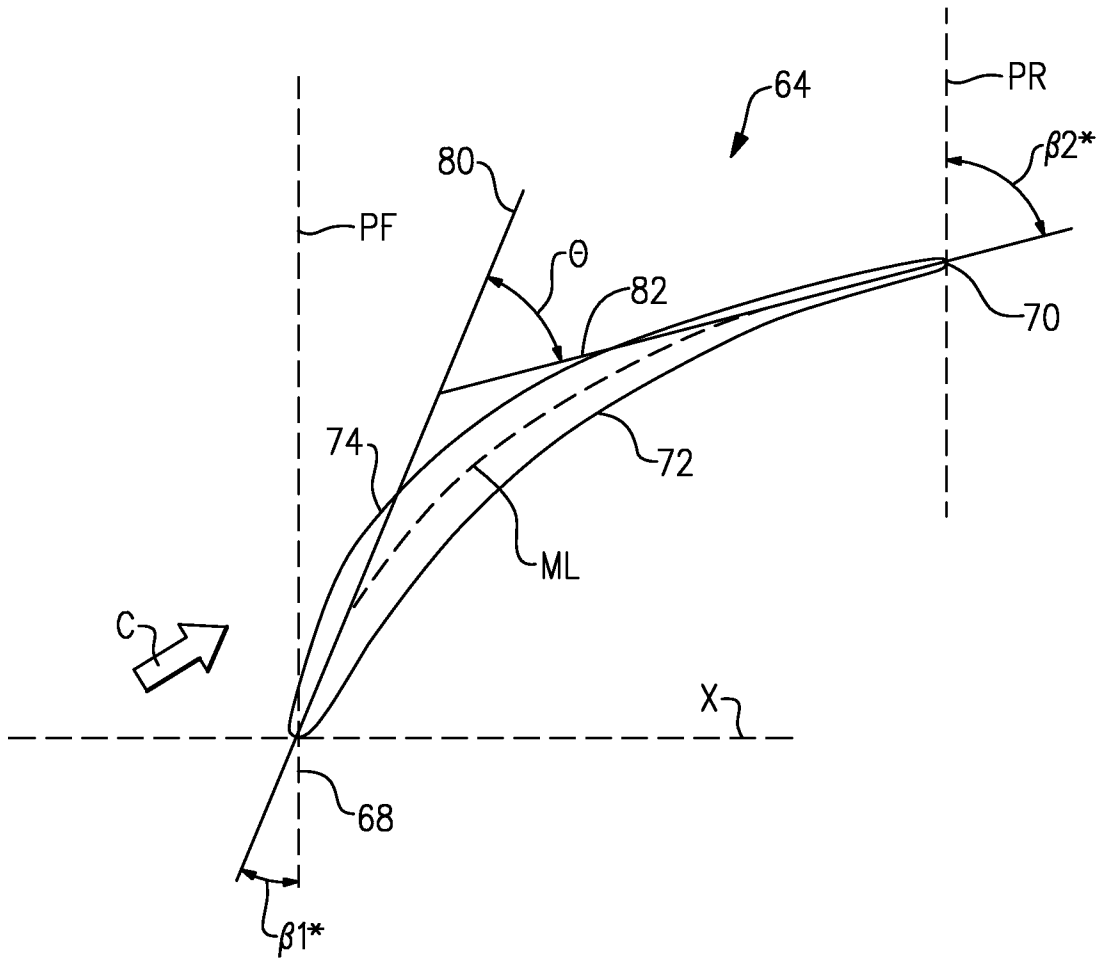


FIG.5

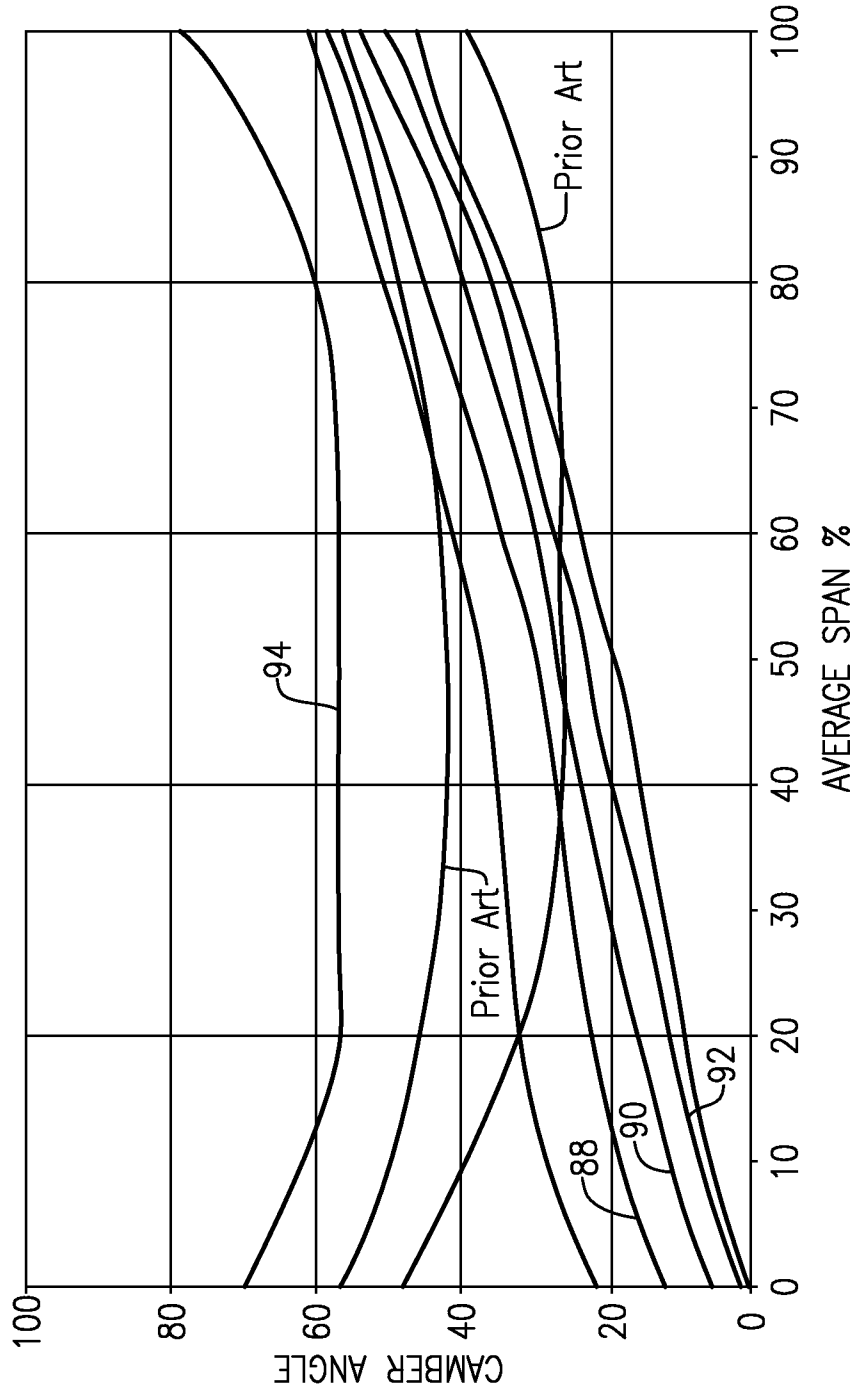


FIG.6