



(12) **United States Design Patent**
Kwok

(10) **Patent No.:** **US D488,679 S**
(45) **Date of Patent:** **** Apr. 20, 2004**

(54) **ICE CREAM SCOOP** 2,165,941 A * 7/1939 Price 425/278

(75) Inventor: **Jimmy Ngok Wing Kwok, Kowloon (CN)** * cited by examiner

(73) Assignee: **Golden Net International Limited, Kowloon (CN)** *Primary Examiner—Terry A. Wallace*
(74) *Attorney, Agent, or Firm—Alix, Yale & Ristas, LLP*

(**) Term: **14 Years**

(57) **CLAIM**

The ornamental design for an ice cream scoop, as shown.

(21) Appl. No.: **29/182,189**

(22) Filed: **May 21, 2003**

(30) **Foreign Application Priority Data**

Nov. 25, 2002 (CN) 02 3 69150

(51) **LOC (7) Cl.** **07-99**

(52) **U.S. Cl.** **D7/681**

(58) **Field of Search** D7/681, 691, 692,
D7/646, 393, 395; 30/324-328; 294/55;
425/276-283

DESCRIPTION

FIG. 1 is a front view of the ice cream scoop showing our new design;

FIG. 2 is a rear view of the ice cream scoop of FIG. 1;

FIG. 3 is a top plan view of the ice cream scoop of FIG. 1;

FIG. 4 is a bottom plan view of the ice cream scoop of FIG. 1;

FIG. 5 is a left side view of the ice cream scoop of FIG. 1; and,

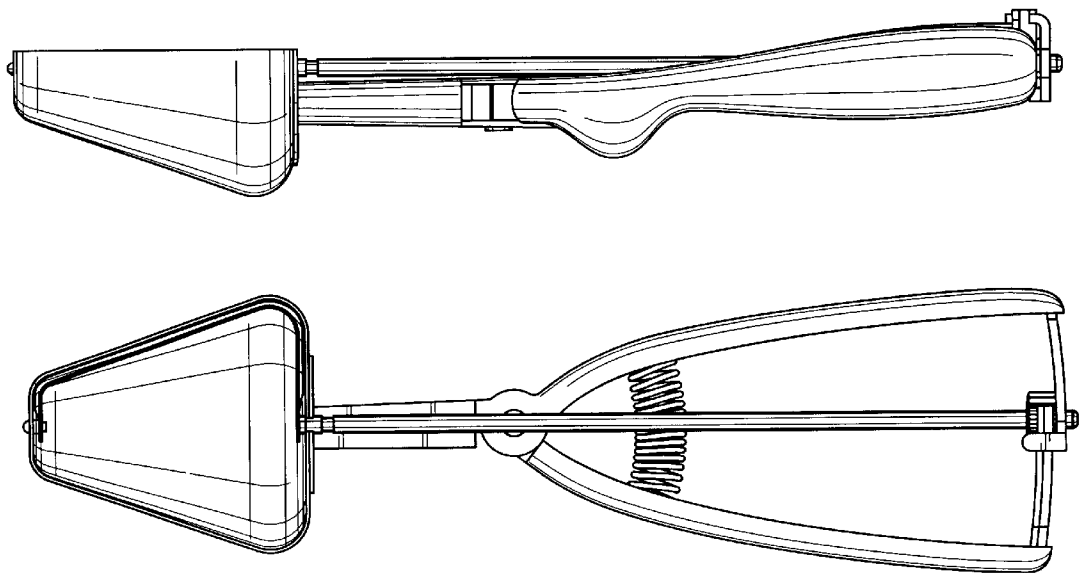
FIG. 6 is a right side view of the ice cream scoop of FIG. 1.

(56) **References Cited**

U.S. PATENT DOCUMENTS

2,114,703 A * 4/1938 Conner 294/55

1 Claim, 3 Drawing Sheets



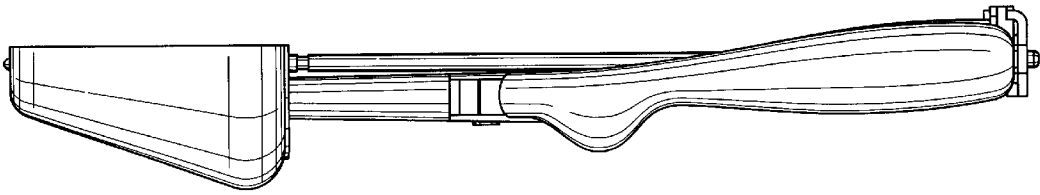


FIG. 1

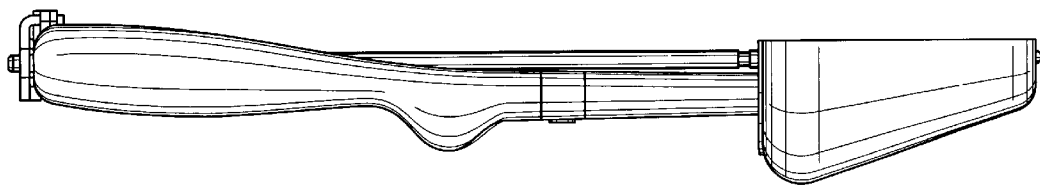


FIG. 2

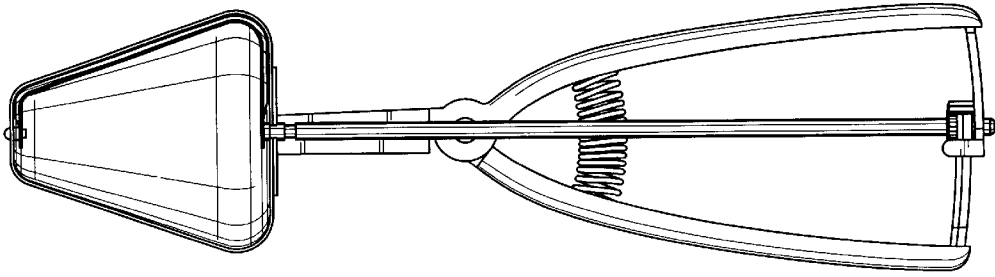


FIG. 3

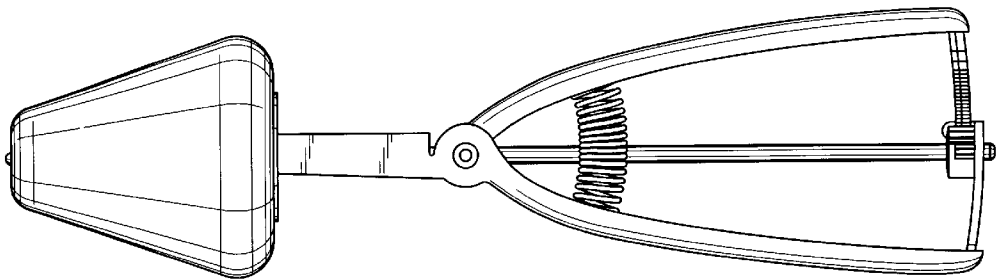


FIG. 4

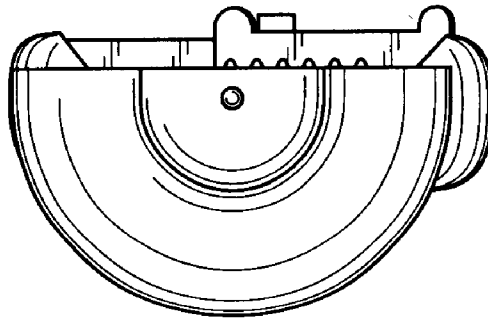


FIG. 5

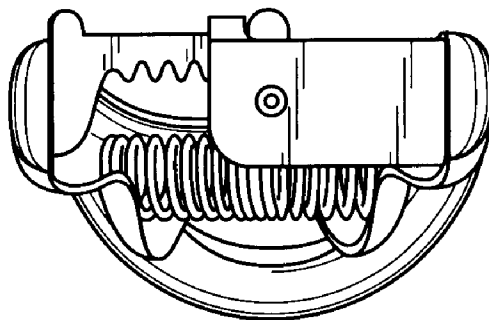


FIG. 6