

[54] INTERACTIVE TERMINAL PRINTER

[75] Inventor: Donald F. Lahey, Saratoga, Calif.

[73] Assignee: International Business Machines Corporation, Armonk, N.Y.

[\*\*] Term: 14 Years

[21] Appl. No.: 300,781

[22] Filed: Sep. 14, 1981

[52] U.S. Cl. .... D14/111

[58] Field of Search ..... D14/100-115;  
364/900; 400/693; D18/13, 18, 22, 23

[56] **References Cited**  
U.S. PATENT DOCUMENTS

D. 217,350 4/1970 Crease ..... D14/106  
D. 249,347 9/1978 Zierhut ..... D14/111

*Primary Examiner*—Susan J. Lucas  
*Attorney, Agent, or Firm*—Karl O. Hesse

[57] **CLAIM**  
The ornamental design for an interactive terminal printer, as shown and described.

**DESCRIPTION**  
FIG. 1 is a front, top left side perspective view of the interactive terminal printer showing my new design; FIG. 2 is a rear, top and right side perspective thereof; FIG. 3 is front elevational view thereof on an enlarged scale; FIG. 4 is a side elevational view thereof on an enlarged scale.

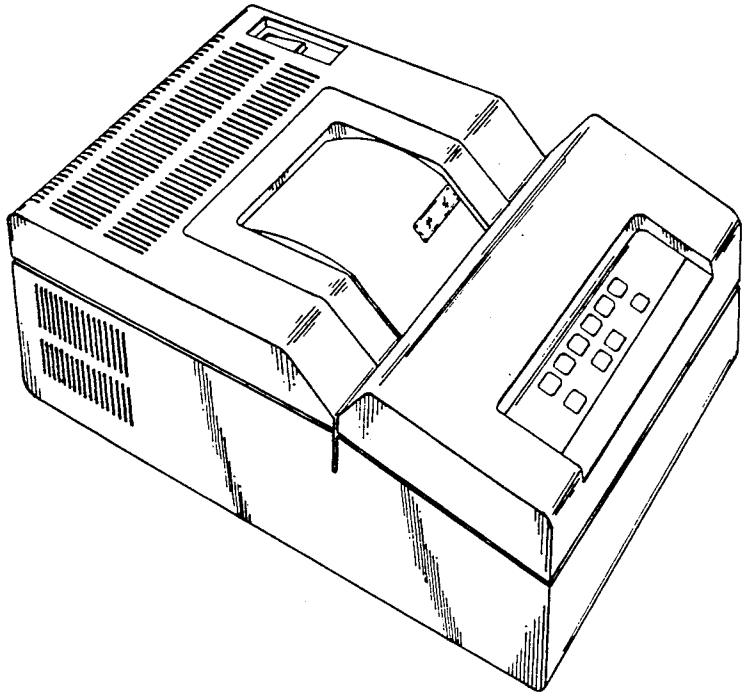
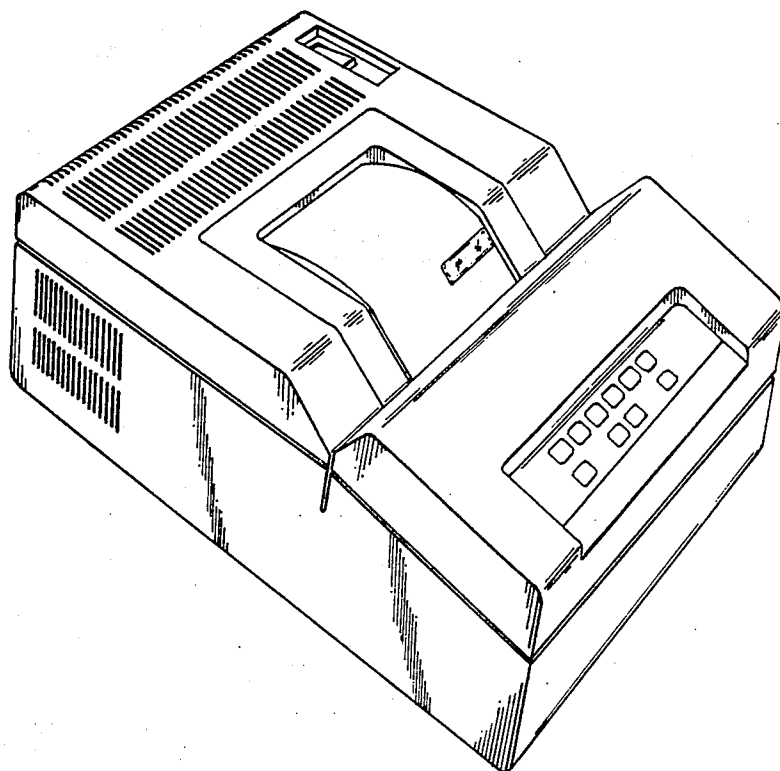


FIG. 1



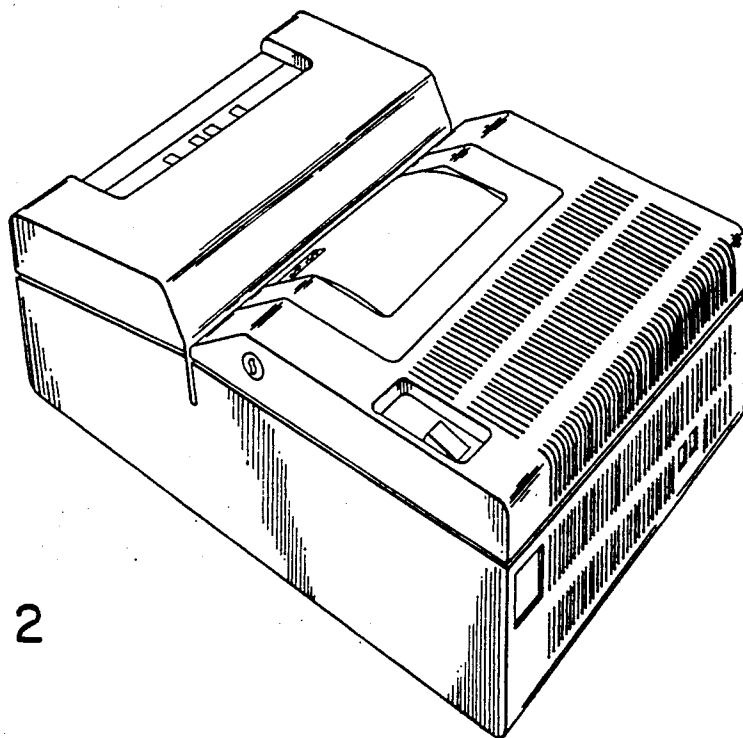


FIG. 2

FIG. 3

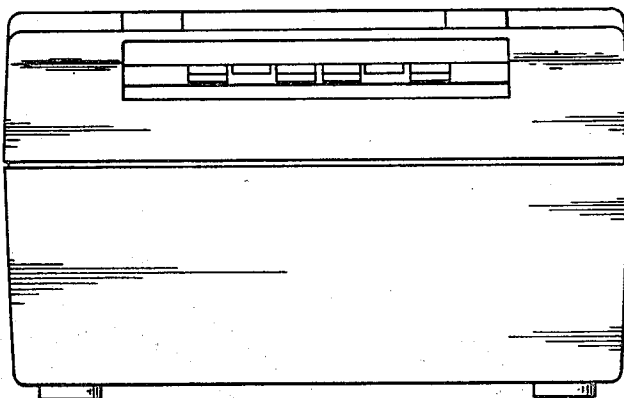


FIG. 4

