



US0D1065448S

(12) **United States Design Patent**
Luo

(10) **Patent No.:** **US D1,065,448 S**

(45) **Date of Patent:** **** Mar. 4, 2025**

(54) **VALVE**
(71) Applicant: **DCSTAR INC**, New York, NY (US)
(72) Inventor: **David Luo**, New York, NY (US)

D745,114 S * 12/2015 Alexander D23/235
D758,540 S * 6/2016 Shishido D23/233
D783,133 S * 4/2017 Fitzhugh D15/21
D917,669 S * 4/2021 Danieli D23/235
D928,914 S * 8/2021 Dubac D23/213
D1,006,959 S * 12/2023 Chen D23/235

(73) Assignee: **DCSTAR INC**, New York, NY (US)

FOREIGN PATENT DOCUMENTS

(**) Term: **15 Years**

IN 289932 * 1/2017
KR 3020110048089 * 11/2011
KR 3020230018943 * 5/2023

(21) Appl. No.: **29/899,432**

* cited by examiner

(22) Filed: **Aug. 9, 2023**

(51) **LOC (15) Cl.** **23-01**

(52) **U.S. Cl.**
USPC **D23/233**

(58) **Field of Classification Search**
USPC D23/233, 235, 236, 247, 248
CPC A61M 16/201; A61M 16/20
See application file for complete search history.

Primary Examiner — George J Ulsh
Assistant Examiner — Andrea Marie McKay
(74) *Attorney, Agent, or Firm* — Birch, Stewart, Kolasch & Birch, LLP

(57) **CLAIM**
The ornamental design for a valve, as shown and described.

(56) **References Cited**

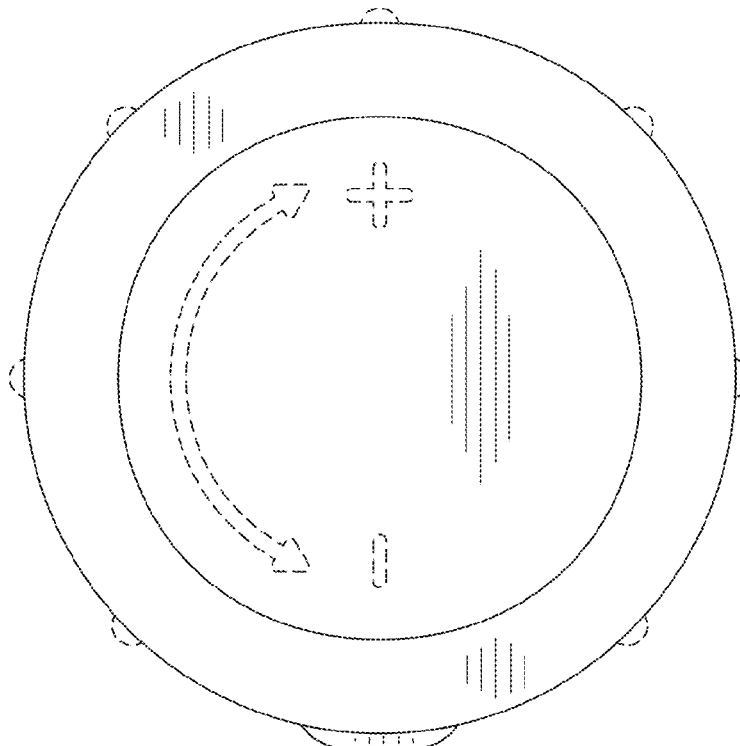
DESCRIPTION

U.S. PATENT DOCUMENTS

D167,662 S * 9/1952 Ulrich D23/262
D267,506 S * 1/1983 Evans D23/262
D463,537 S * 9/2002 Koza D23/262
D482,761 S * 11/2003 Gotoh D23/262
D483,096 S * 12/2003 Gotoh D23/262
D602,565 S * 10/2009 Nimmerger D23/233
D687,528 S * 8/2013 Meyer D23/262
D706,904 S * 6/2014 Faraon Chaul Huerta .. D23/233
D709,994 S * 7/2014 King F16L 41/02
D23/259
D741,457 S * 10/2015 Guest D23/262

FIG. 1 is a bottom view of a valve showing my new design;
FIG. 2 is a top view thereof;
FIG. 3 is a right side view thereof;
FIG. 4 is a left side view thereof;
FIG. 5 is a front view thereof;
FIG. 6 is a rear view thereof;
FIG. 7 is a bottom rear perspective view thereof; and,
FIG. 8 is a top rear perspective view thereof.
The broken lines depict portions of the valve that form no part of the claimed design.

1 Claim, 8 Drawing Sheets



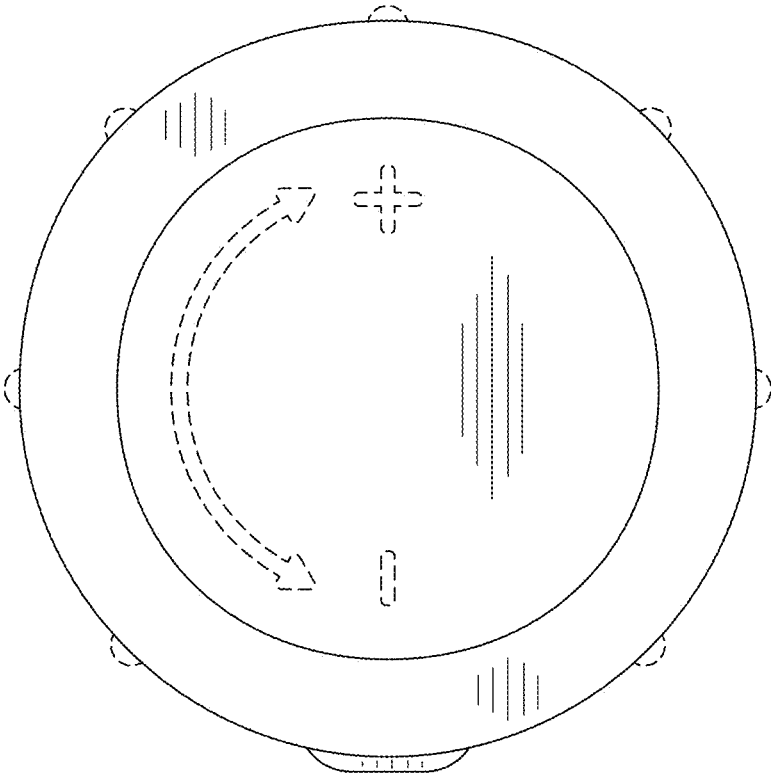


FIG. 1

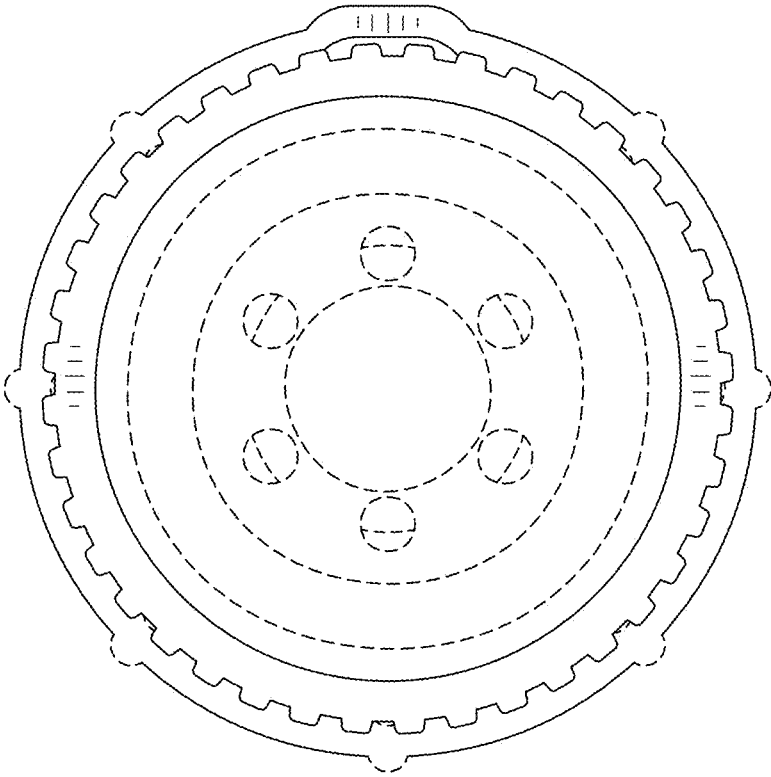


FIG. 2

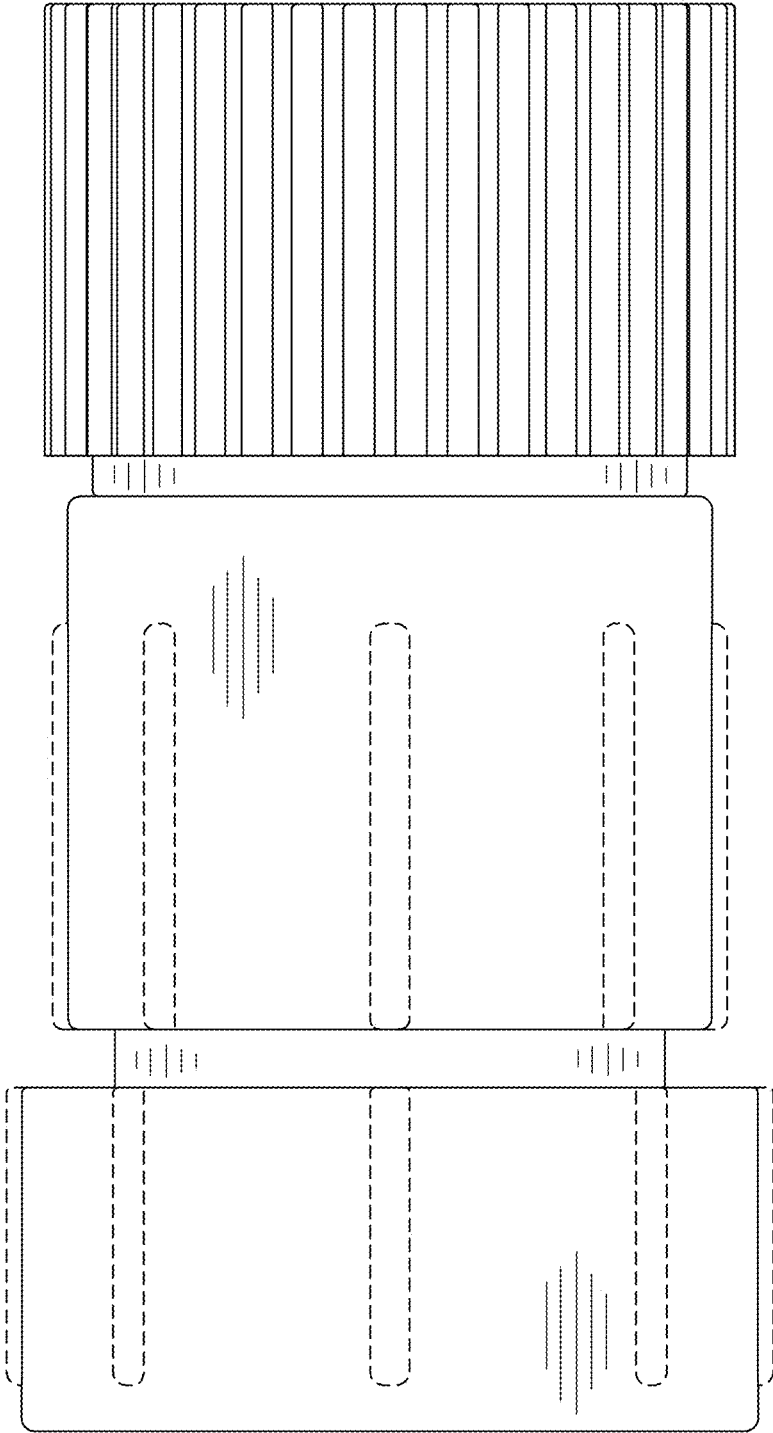


FIG. 3

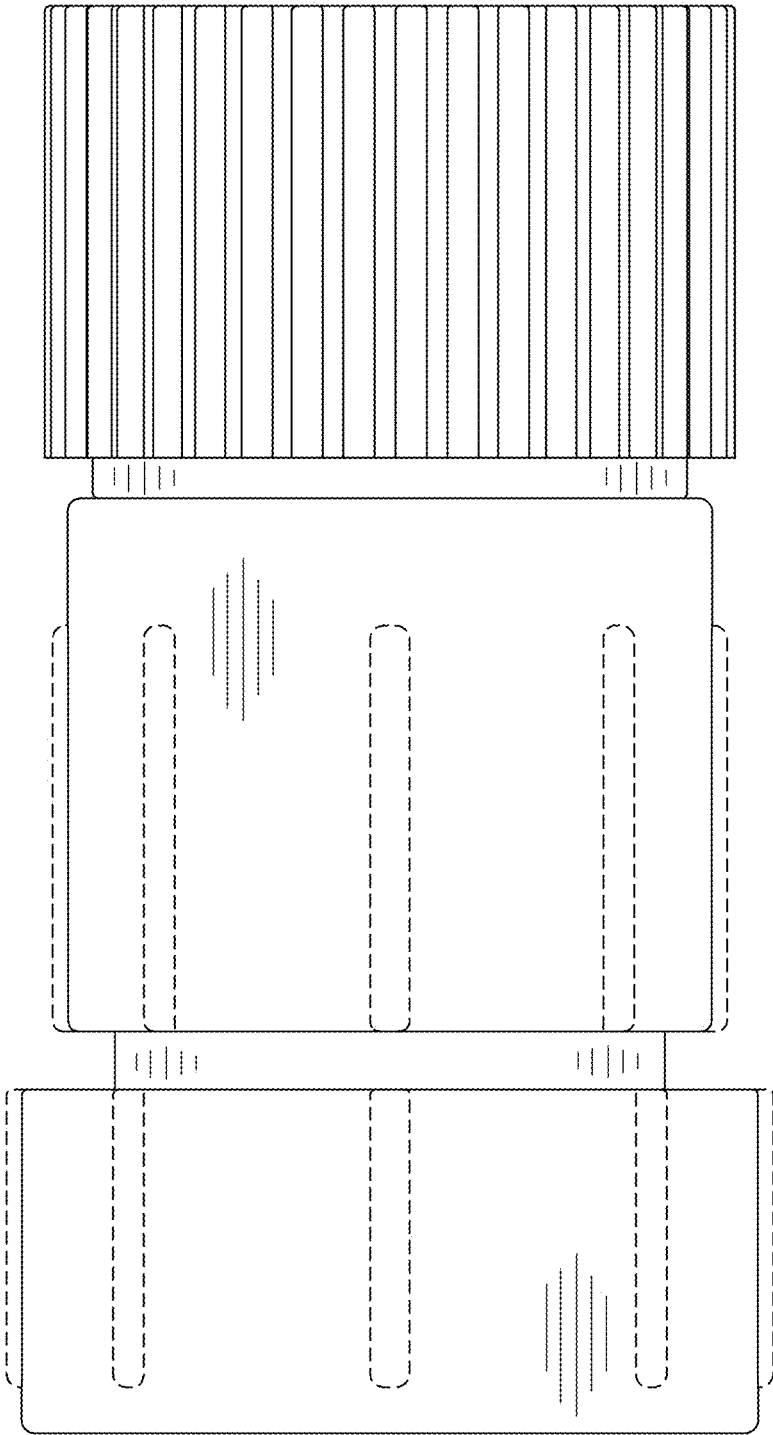


FIG. 4

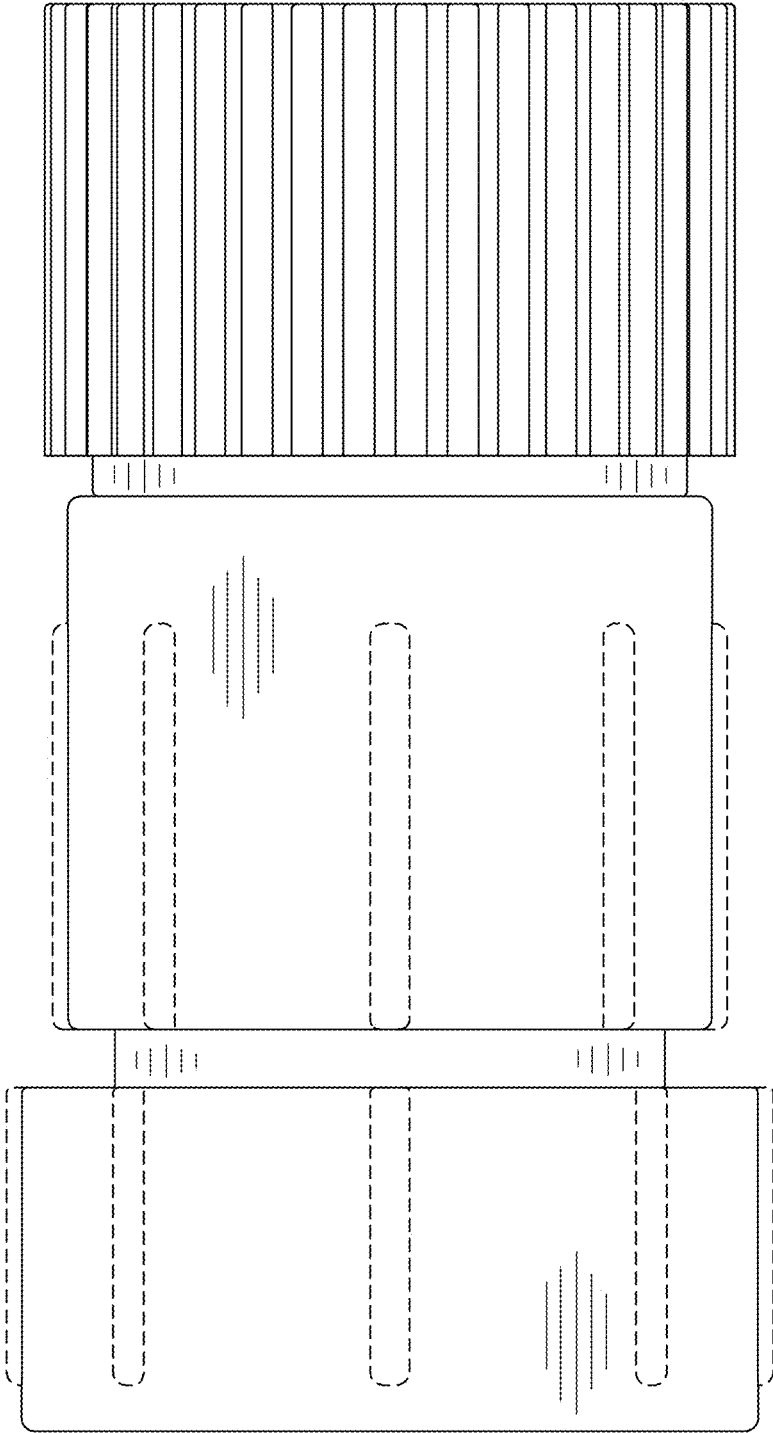


FIG. 5

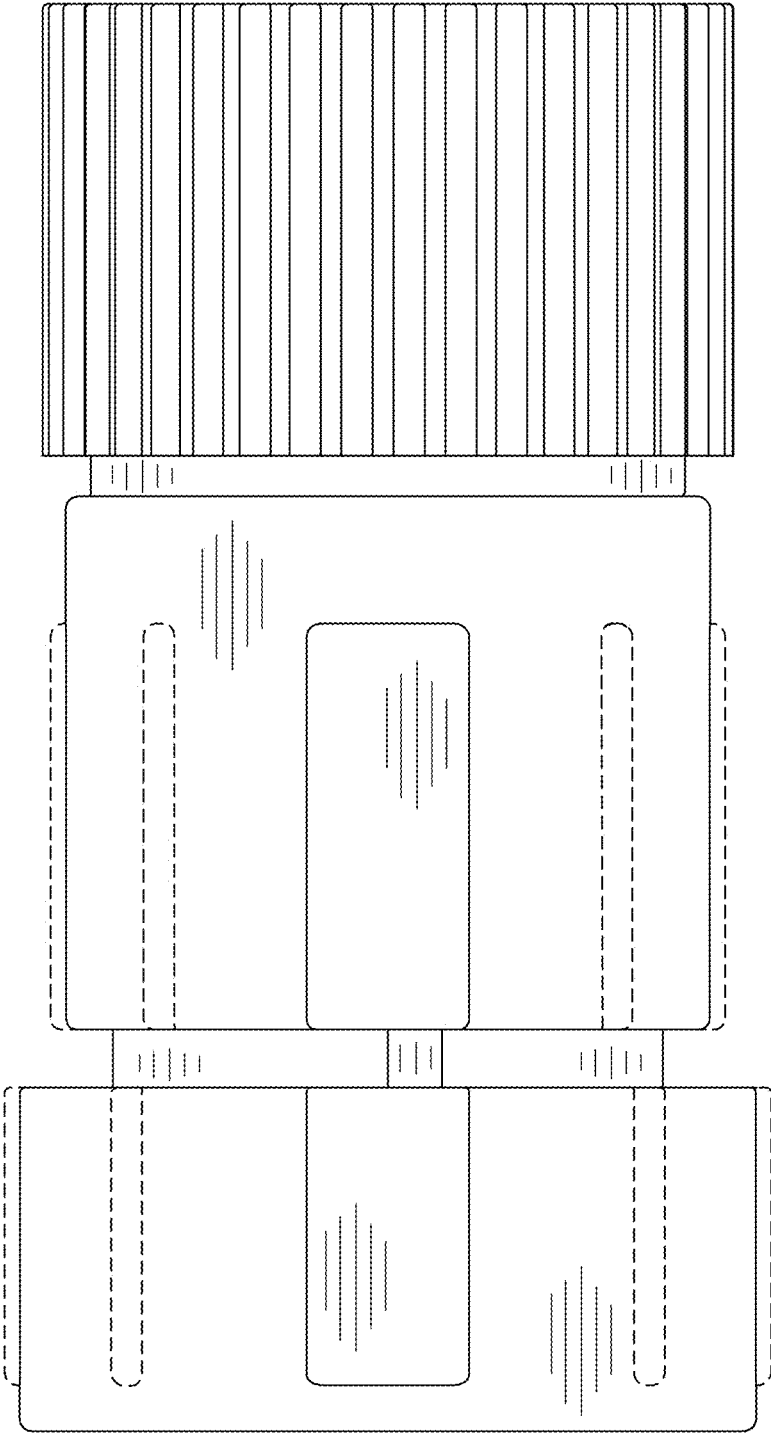


FIG. 6

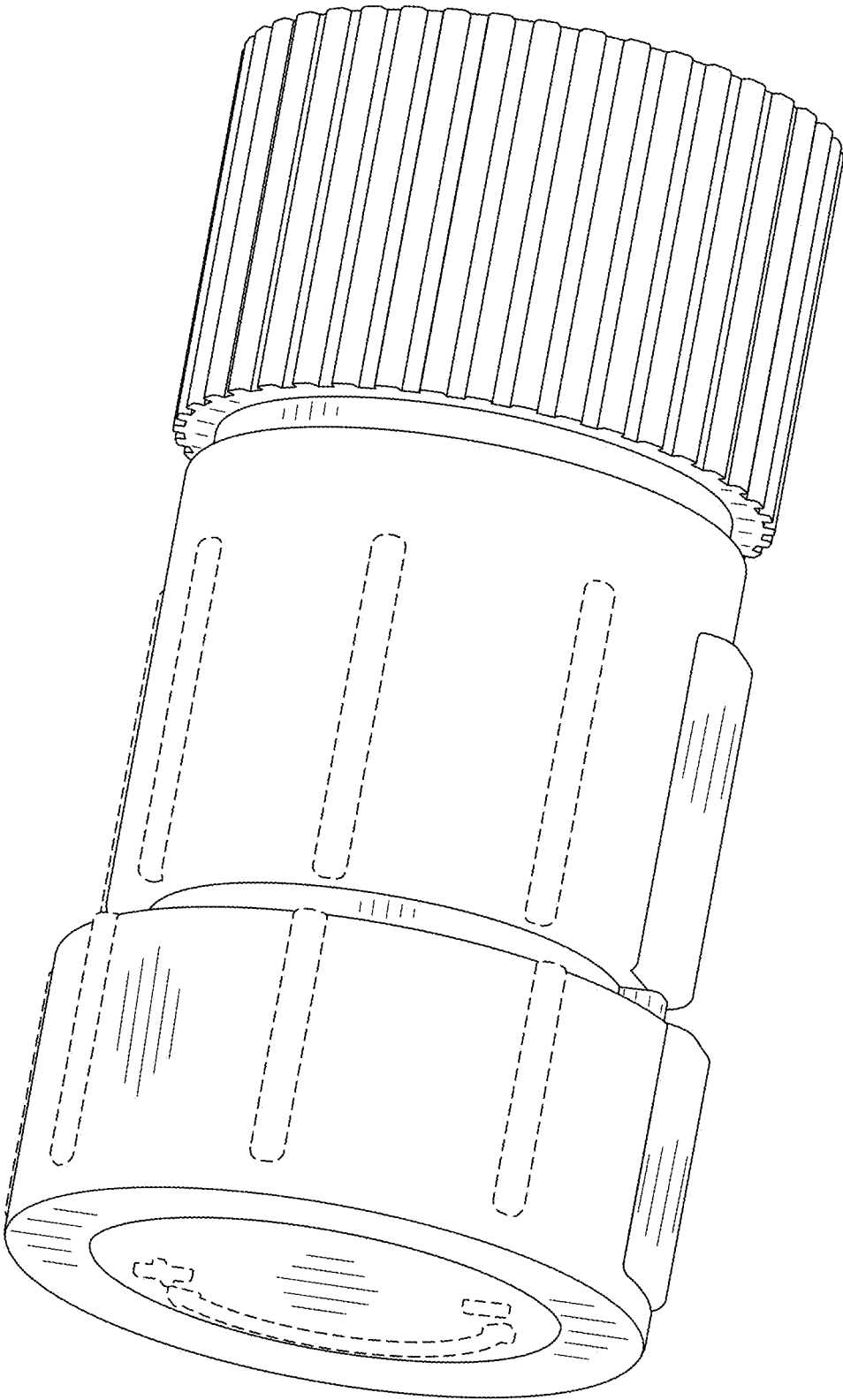


FIG. 7

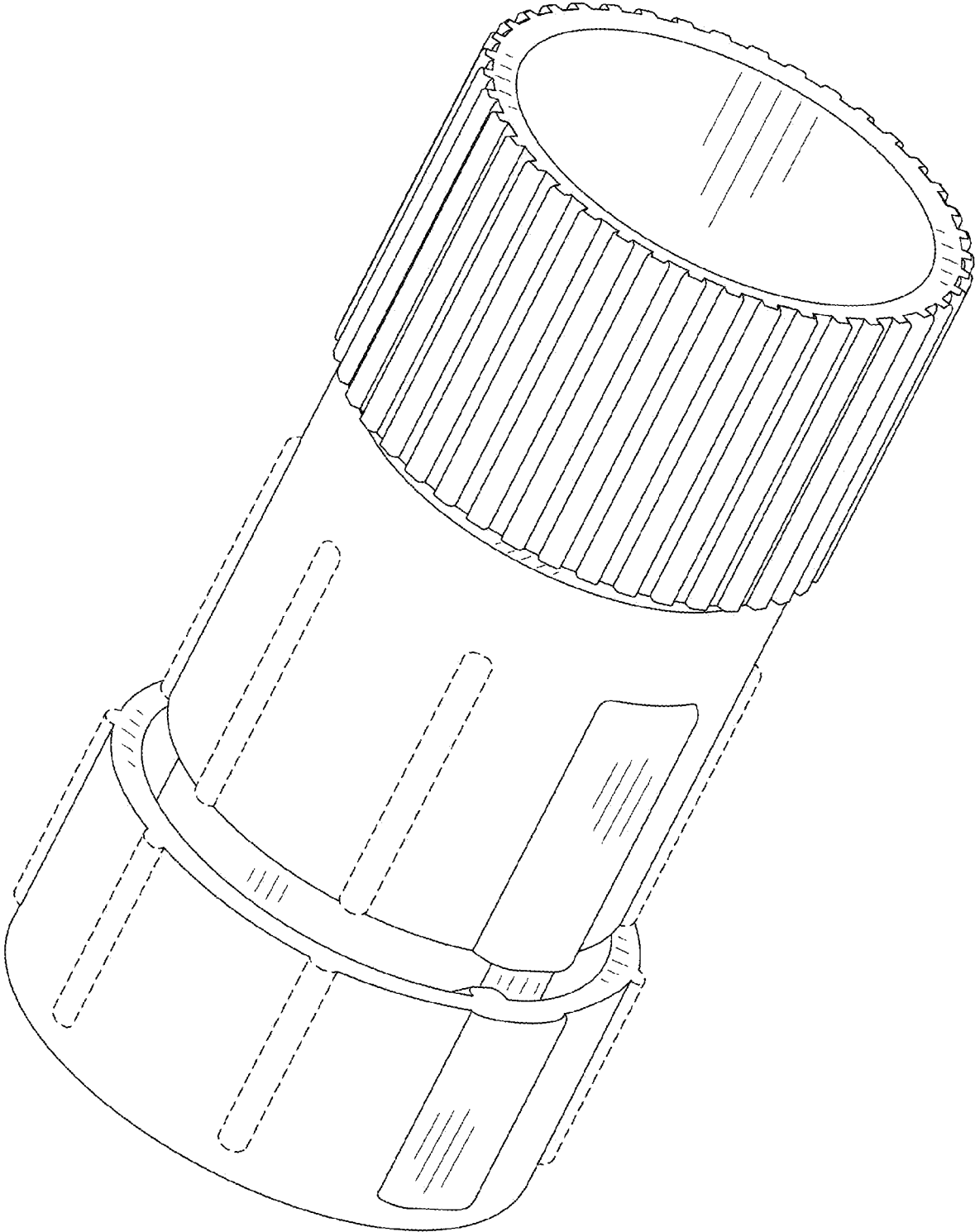


FIG. 8