



US00D378487S

United States Patent [19]

[11] Patent Number: **Des. 378,487**

Salas

[45] Date of Patent: ****Mar. 18, 1997**

[54] **RANGE HOOD STAND**

5,211,159 5/1993 Lieblein et al. 126/299
5,460,101 10/1995 Garbutt, Sr. 312/245 X

[76] Inventor: **George Salas**, 2020 Pickle Rd., Oregon,
Ohio 43616

Primary Examiner—Louis S. Zarfaz
Assistant Examiner—Frank Martinez
Attorney, Agent, or Firm—Brinks Hofer Gilson & Lione

[**] Term: **14 Years**

[57] CLAIM

[21] Appl. No.: **46,009**

The ornamental design for a range hood stand, as shown.

[22] Filed: **Nov. 6, 1995**

DESCRIPTION

[52] U.S. Cl. **D7/406**

[58] Field of Search D7/406, 403; 248/163.1,
248/163.2; 312/196, 245; 108/47, 48, 49;
D6/449, 474, 472, 406

FIG. 1 is a perspective view of a range hood stand showing my new design;

FIG. 2 is a sectional view of the range hood stand of FIG. 1 taken along line 2—2;

FIG. 3 is a perspective view of the portion of the range hood stand shown in FIG. 2;

FIG. 4 is a front view;

FIG. 5 is a side view; the opposite view being the same as that shown;

FIG. 6 is a top view; and,

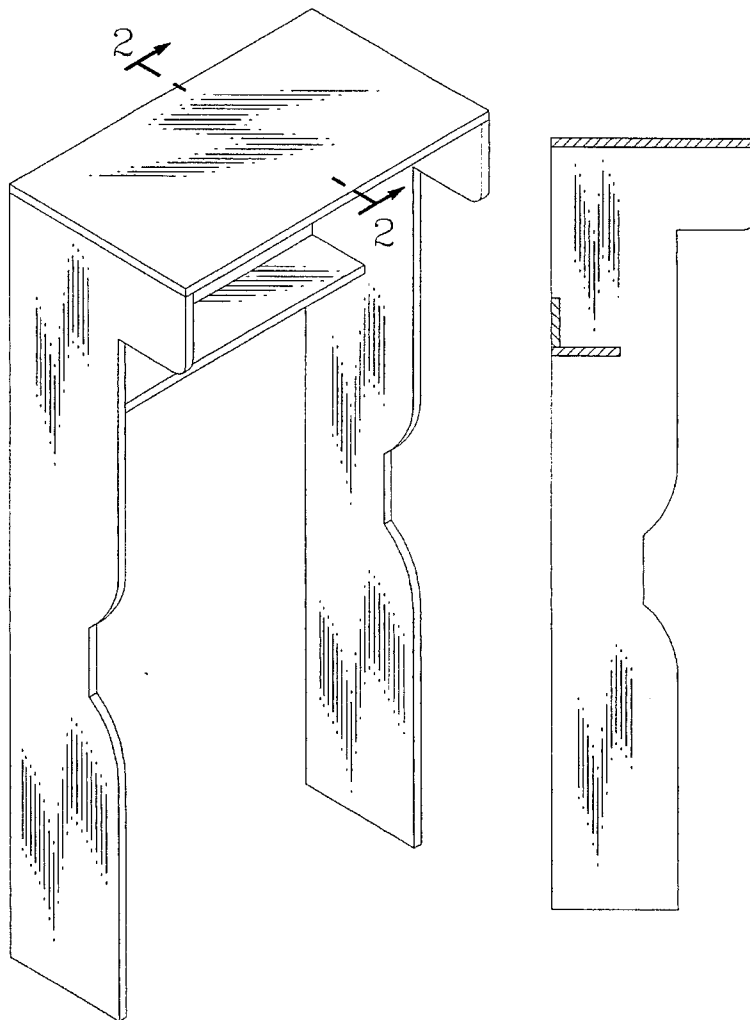
FIG. 7 is a bottom view.

[56] References Cited

U.S. PATENT DOCUMENTS

D. 55,747	7/1920	Cole	D7/406
252,318	1/1982	Hudson .	
320,691	6/1885	Rawlings	126/332
2,868,108	1/1959	Petersen	98/115
3,082,680	3/1963	Nevin et al.	98/115
3,523,716	8/1970	Roggio, Jr. et al.	312/257
3,747,301	7/1973	Glover et al.	55/126
4,414,959	11/1983	Fair et al.	126/332

1 Claim, 2 Drawing Sheets



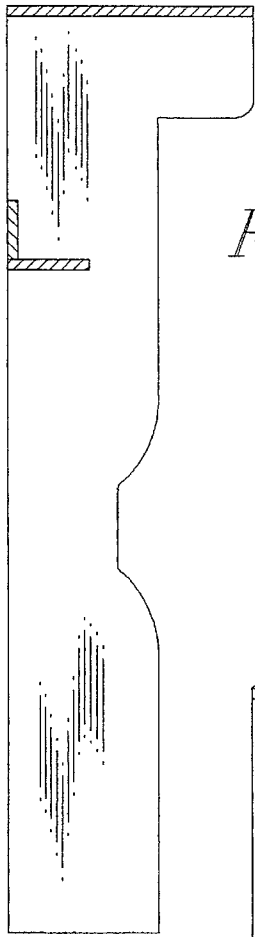


Fig. 2

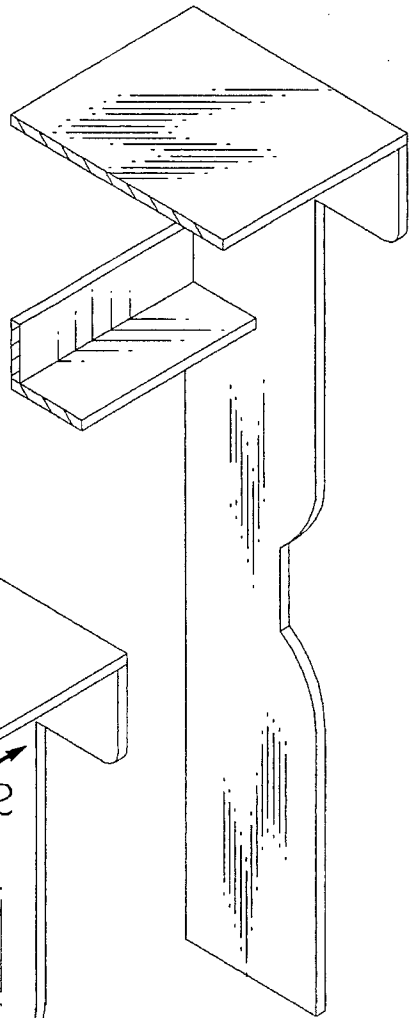


Fig. 3

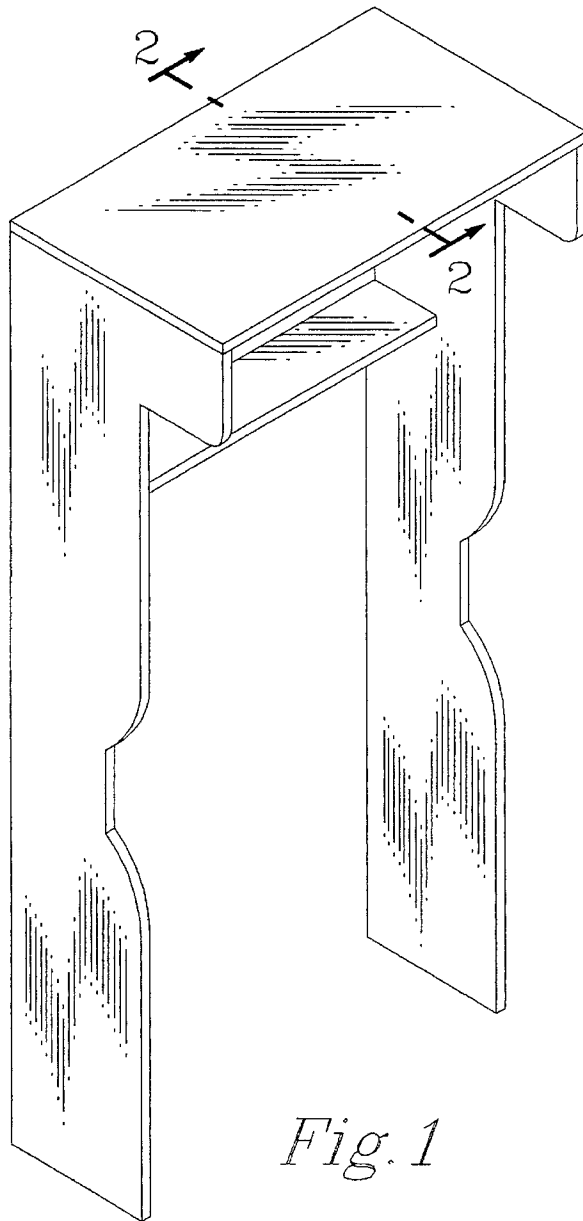


Fig. 1

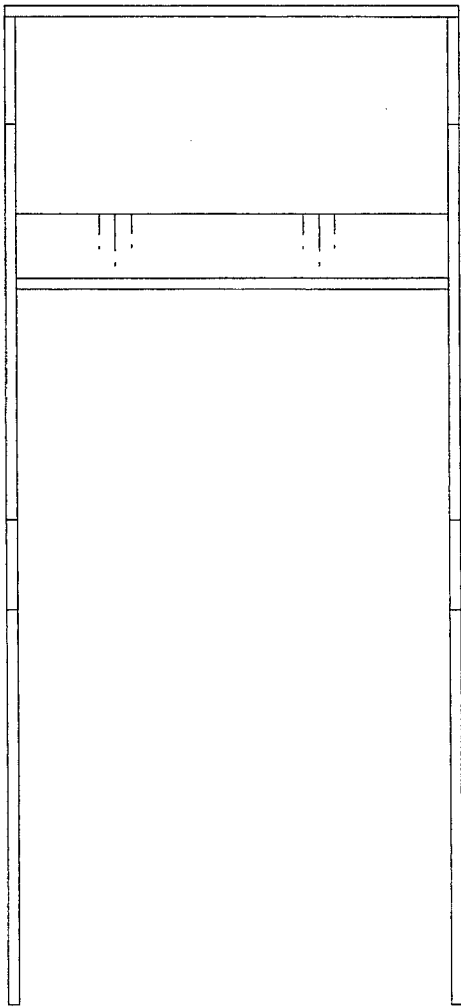


Fig. 4

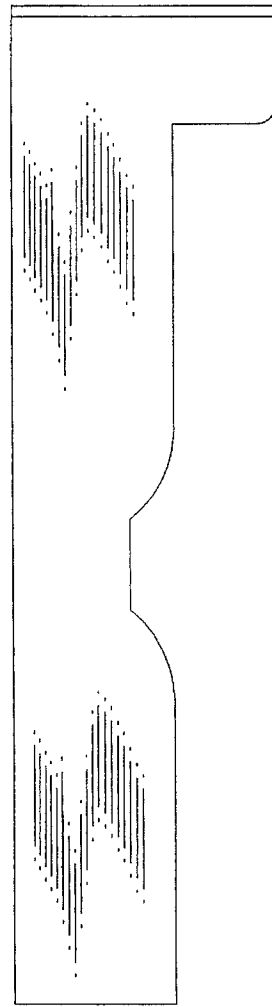


Fig. 5

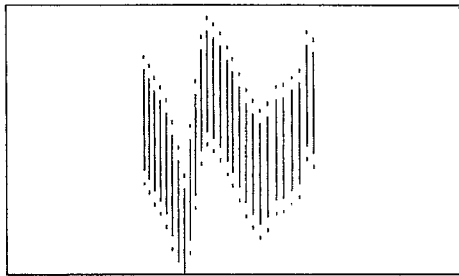


Fig. 6

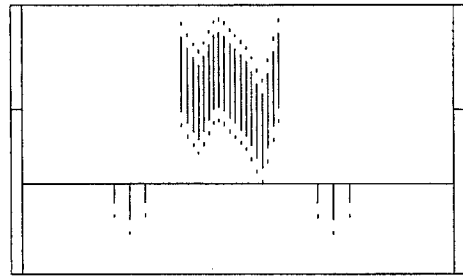


Fig. 7