

(19) World Intellectual Property Organization
International Bureau



(43) International Publication Date
8 April 2004 (08.04.2004)

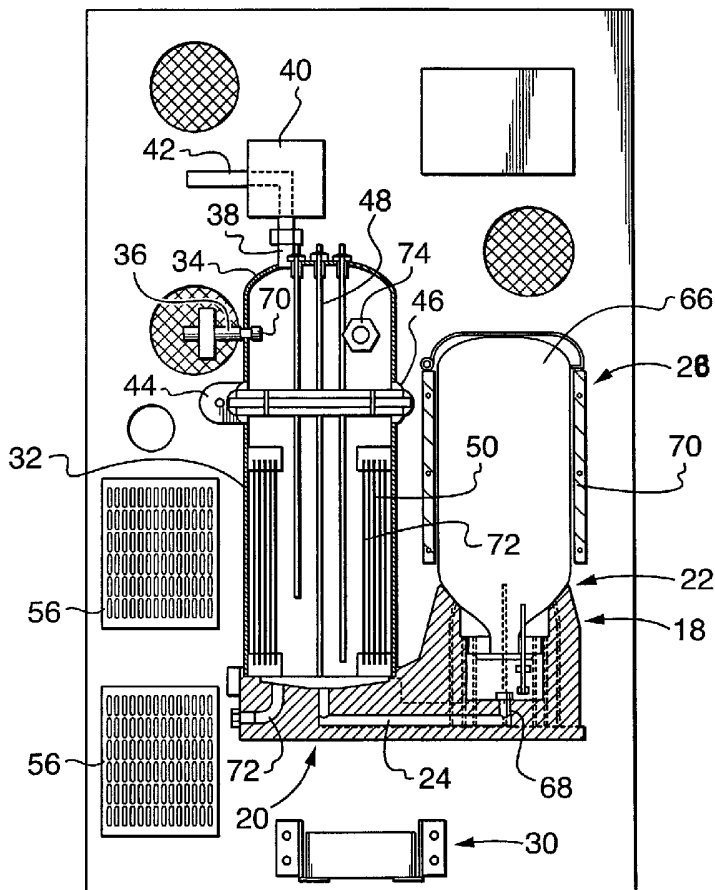
PCT

(10) International Publication Number
WO 2004/029331 A3

- (51) International Patent Classification⁷: F02M 25/12, F02B 43/10
- (21) International Application Number: PCT/CA2003/001435
- (22) International Filing Date: 22 September 2003 (22.09.2003)
- (25) Filing Language: English
- (26) Publication Language: English
- (30) Priority Data: 10/253,722 25 September 2002 (25.09.2002) US
- (71) Applicant: DYNAMIC FUEL SYSTEMS INC. [CA/CA]; 890 Brock Road South, Pickering, Ontario L1W 1Z9 (CA).
- (72) Inventors: FAIRFULL, Alexander; 42 Hoile Drive, Ajax, Ontario L1Z 1M7 (CA). FAIRFULL, Thomas; 6 Flazington Court, Ajax, Ontario L1S 6N5 (CA).
- (74) Agent: EDGAR, William, R.; Ridout & Maybee LLP, 150 Metcalfe Street, 19th Floor, Ottawa, Ontario K2P 1P1 (CA).
- (81) Designated States (national): AE, AG, AL, AM, AT, AU, AZ, BA, BB, BG, BR, BY, BZ, CA, CH, CN, CO, CR, CU, CZ, DE, DK, DM, DZ, EC, EE, EG, ES, FI, GB, GD, GE, GH, GM, HR, HU, ID, IL, IN, IS, JP, KE, KG, KP, KR, KZ, LC, LK, LR, LS, LT, LU, LV, MA, MD, MG, MK, MN, MW, MX, MZ, NI, NO, NZ, OM, PG, PH, PL, PT, RO, RU, SC, SD, SE, SG, SK, SL, SY, TJ, TM, TN, TR, TT, TZ, UA, UG, UZ, VC, VN, YU, ZA, ZM, ZW.
- (84) Designated States (regional): ARIPO patent (GH, GM, KE, LS, MW, MZ, SD, SL, SZ, TZ, UG, ZM, ZW), Eurasian patent (AM, AZ, BY, KG, KZ, MD, RU, TJ, TM), European patent (AT, BE, BG, CH, CY, CZ, DE, DK, EE,

[Continued on next page]

(54) Title: HYDROGEN GENERATOR



(57) Abstract: There is provided a new and useful hydrogen generator for supplying hydrogen and/or oxygen to an internal combustion engine, the generator comprising a housing, a base unit (18) secured within the housing, the base unit having integral therewith first mounting means (20) for an electrolytic cell (26), second mounting means (22) for a replaceable liquid reservoir (28), and a conduit (24) between the first and second mounting means, an electrolytic cell mounted in the first mounting means, the cell having a liquid inlet and a gas outlet, and having connectors for electrical connection to an external source of energy, and a controller unit connected to the cell and comprising a central processing unit and a series of sensors for sensing pressure, temperature and liquid level in the cell, the controller controlling operation of the cell responsive to sensor output.

WO 2004/029331 A3



ES, FI, FR, GB, GR, HU, IE, IT, LU, MC, NL, PT, RO,
SE, SI, SK, TR), OAPI patent (BF, BJ, CF, CG, CI, CM,
GA, GN, GQ, GW, ML, MR, NE, SN, TD, TG).

(88) **Date of publication of the international search report:**
16 September 2004

Published:

- *with international search report*
- *before the expiration of the time limit for amending the claims and to be republished in the event of receipt of amendments*

For two-letter codes and other abbreviations, refer to the "Guidance Notes on Codes and Abbreviations" appearing at the beginning of each regular issue of the PCT Gazette.

INTERNATIONAL SEARCH REPORT

International Application No
PCT/CA 03/01435

A. CLASSIFICATION OF SUBJECT MATTER
IPC 7 F02M25/12 F02B43/10

According to International Patent Classification (IPC) or to both national classification and IPC

B. FIELDS SEARCHED

Minimum documentation searched (classification system followed by classification symbols)
IPC 7 F02M F02B

Documentation searched other than minimum documentation to the extent that such documents are included in the fields searched

Electronic data base consulted during the international search (name of data base and, where practical, search terms used)

EPO-Internal, WPI Data

C. DOCUMENTS CONSIDERED TO BE RELEVANT

Category °	Citation of document, with indication, where appropriate, of the relevant passages	Relevant to claim No.
P,X	US 2002/179454 A1 (BILL ROSS) 5 December 2002 (2002-12-05) the whole document	1,8,9
X	US 6 209 493 B1 (BILL ROSS) 3 April 2001 (2001-04-03) column 3, line 47 - column 4, line 67 figures 1-3	1
A	CA 2 244 022 A (GLOBAL TECH ENVIROMENTAL PRODUCTS INC., CA) 27 January 2000 (2000-01-27) the whole document	1

Further documents are listed in the continuation of box C.

Patent family members are listed in annex.

° Special categories of cited documents :

- *A* document defining the general state of the art which is not considered to be of particular relevance
- *E* earlier document but published on or after the international filing date
- *L* document which may throw doubts on priority claim(s) or which is cited to establish the publication date of another citation or other special reason (as specified)
- *O* document referring to an oral disclosure, use, exhibition or other means
- *P* document published prior to the international filing date but later than the priority date claimed

- *T* later document published after the international filing date or priority date and not in conflict with the application but cited to understand the principle or theory underlying the invention
- *X* document of particular relevance; the claimed invention cannot be considered novel or cannot be considered to involve an inventive step when the document is taken alone
- *Y* document of particular relevance; the claimed invention cannot be considered to involve an inventive step when the document is combined with one or more other such documents, such combination being obvious to a person skilled in the art.
- *Z* document member of the same patent family

Date of the actual completion of the international search <p style="text-align: center; font-size: 1.2em;">15 July 2004</p>	Date of mailing of the international search report <p style="text-align: center; font-size: 1.2em;">27/07/2004</p>
Name and mailing address of the ISA European Patent Office, P.B. 5818 Patentlaan 2 NL - 2280 HV Rijswijk Tel. (+31-70) 340-2040, Tx. 31 651 epo nl, Fax: (+31-70) 340-3016	Authorized officer <p style="text-align: center; font-size: 1.2em;">Groseiller, P</p>

INTERNATIONAL SEARCH REPORT

Information on patent family members

International Application No

PCT/CA 03/01435

Patent document cited in search report	Publication date	Patent family member(s)	Publication date
US 2002179454 A1	05-12-2002	CA 2349508 A1	04-12-2002
		WO 02099260 A1	12-12-2002
		EP 1397583 A1	17-03-2004
US 6209493 B1	03-04-2001	CA 2244022 A1	27-01-2000
		CA 2278917 A1	27-01-2000
		AU 5022199 A	21-02-2000
		WO 0006875 A1	10-02-2000
CA 2244022 A	27-01-2000	CA 2244022 A1	27-01-2000
		AU 5022199 A	21-02-2000
		CA 2278917 A1	27-01-2000
		WO 0006875 A1	10-02-2000
		US 6209493 B1	03-04-2001