

(19) World Intellectual Property  
Organization  
International Bureau



(43) International Publication Date  
19 February 2004 (19.02.2004)

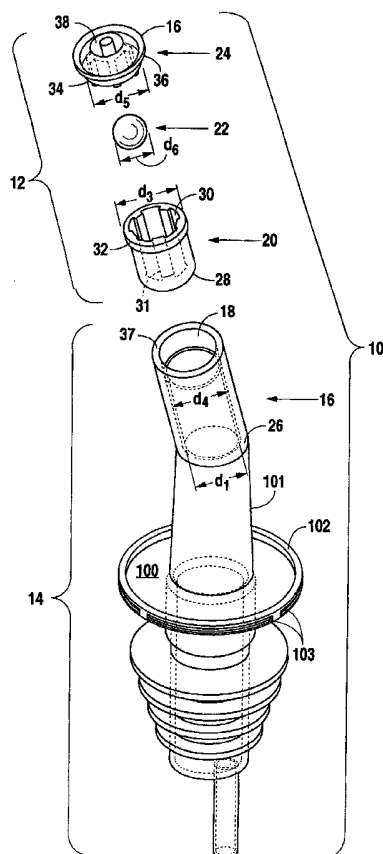
PCT

(10) International Publication Number  
**WO 2004/014743 A3**

- (51) International Patent Classification<sup>7</sup>: **B65D 47/06**
- (21) International Application Number:  
PCT/US2003/025032
- (22) International Filing Date: 8 August 2003 (08.08.2003)
- (25) Filing Language: English
- (26) Publication Language: English
- (30) Priority Data:  
60/401,866 8 August 2002 (08.08.2002) US
- (71) Applicant and  
(72) Inventor: **MCDONALD, John, Terrance** [US/US]; 8452  
Fredericksburg Road, San Antonio, TX 78229 (US).
- (74) Agent: **SISSON, Thomas, E.**; Jackson Walker L.L.P.,  
Suite 2100, 112 E. Pecan Street, San Antonio, TX 78205  
(US).
- (81) Designated States (*national*): AE, AG, AL, AM, AT, AU,  
AZ, BA, BB, BG, BR, BY, BZ, CA, CH, CN, CO, CR, CU,  
CZ, DE, DK, DM, DZ, EE, ES, FI, GB, GD, GE, GH, GM,  
HR, HU, ID, IL, IN, IS, JP, KE, KG, KP, KR, KZ, LC, LK,  
LR, LS, LT, LU, LV, MA, MD, MG, MK, MN, MW, MX,  
MZ, NO, NZ, PL, PT, RO, RU, SD, SE, SG, SK, SL, TJ,  
TM, TR, TT, TZ, UA, UG, US, UZ, VN, YU, ZA, ZW.
- (84) Designated States (*regional*): ARIPO patent (GH, GM,  
KE, LS, MW, MZ, SD, SL, SZ, TZ, UG, ZM, ZW),  
Eurasian patent (AM, AZ, BY, KG, KZ, MD, RU, TJ, TM),  
European patent (AT, BE, BG, CH, CY, CZ, DE, DK, EE,  
ES, FI, FR, GB, GR, HU, IE, IT, LU, MC, NL, PT, RO,  
SE, SI, SK, TR), OAPI patent (BF, BJ, CF, CG, CI, CM,  
GA, GN, GQ, GW, ML, MR, NE, SN, TD, TG).

[Continued on next page]

(54) Title: LIQUID POURER ASSEMBLY



(57) Abstract: A liquid pourer assembly having three main components: an upper cap, a valve ball, and a lower valve seat sleeve. The ball is capable of freely moving within a chamber within the sleeve when liquid is being delivered, but seals the liquid in the container when in the upright position. Very narrow drain channels allow liquid to pass back into the container but precludes contaminants from entering the container. Liquid flow guides in the upper cap have shoulders which extend only into the uppermost section of the lower valve seat sleeve. These guides and shoulder cause liquid flowing through the pourer assembly to twist, merge and aerate giving an aesthetically pleasing liquid pouring flow pattern.

WO 2004/014743 A3



**Published:**

- *with international search report*
- *before the expiration of the time limit for amending the claims and to be republished in the event of receipt of amendments*

*For two-letter codes and other abbreviations, refer to the "Guidance Notes on Codes and Abbreviations" appearing at the beginning of each regular issue of the PCT Gazette.*

**(88) Date of publication of the international search report:**

10 June 2004

# INTERNATIONAL SEARCH REPORT

International application No.

PCT/US03/25032

<b>A. CLASSIFICATION OF SUBJECT MATTER</b>		
IPC(7) : B65D 47/06		
US CL : 222/500,564,567,569		
According to International Patent Classification (IPC) or to both national classification and IPC		
<b>B. FIELDS SEARCHED</b>		
Minimum documentation searched (classification system followed by classification symbols) U.S. : 222/500,564,567,569		
Documentation searched other than minimum documentation to the extent that such documents are included in the fields searched		
Electronic data base consulted during the international search (name of data base and, where practicable, search terms used)		
<b>C. DOCUMENTS CONSIDERED TO BE RELEVANT</b>		
Category *	Citation of document, with indication, where appropriate, of the relevant passages	Relevant to claim No.
Y	US 22,370 A (LEWIS) 21 December 1858 (21.12.1858), entire document.	1, 4
Y	US 2,432,641 A (WILSON) 16 December 1947 (16.12.1947), column 1, line 41 to column 2, line 24.	1, 4
Y	US 5,961,008 A (PECKELS) 05 October 1999 (05.10.1999), column 5, line 55 to column 6, line 3.	4
A	US 1,041,561 A (ALLEN) 15 October 1912 (15.10.1912), figures 1-4.	1-5
<input type="checkbox"/> Further documents are listed in the continuation of Box C. <input type="checkbox"/> See patent family annex.		
* Special categories of cited documents:		
"A" document defining the general state of the art which is not considered to be of particular relevance  "E" earlier application or patent published on or after the international filing date  "L" document which may throw doubts on priority claim(s) or which is cited to establish the publication date of another citation or other special reason (as specified)  "O" document referring to an oral disclosure, use, exhibition or other means  "P" document published prior to the international filing date but later than the priority date claimed	"T" later document published after the international filing date or priority date and not in conflict with the application but cited to understand the principle or theory underlying the invention  "X" document of particular relevance; the claimed invention cannot be considered novel or cannot be considered to involve an inventive step when the document is taken alone  "Y" document of particular relevance; the claimed invention cannot be considered to involve an inventive step when the document is combined with one or more other such documents, such combination being obvious to a person skilled in the art  "&" document member of the same patent family	
Date of the actual completion of the international search		Date of mailing of the international search report
16 March 2004 (16.03.2004)		14 APR 2004
Name and mailing address of the ISA/US Mail Stop PCT, Attn: ISA/US Commissioner for Patents P.O. Box 1450 Alexandria, Virginia 22313-1450 Facsimile No. (703)305-3230		Authorized officer: Kenneth Bomberg <i>A. Hurley for</i> Telephone No. 703-308-0861