



US00D749846S

(12) **United States Design Patent**  
**Koeniger**

(10) **Patent No.:** **US D749,846 S**

(45) **Date of Patent:** **\*\* Feb. 23, 2016**

- (54) **BOX FOR BITS AND/OR TOOLS**
- (71) Applicant: **Hilti Aktiengesellschaft, Schaan (LI)**
- (72) Inventor: **Tobias Koeniger, Bregenz (AT)**
- (73) Assignee: **Hilti Aktiengesellschaft, Schaan (LI)**
- (\*\*) Term: **14 Years**
- (21) Appl. No.: **29/522,267**
- (22) Filed: **Mar. 30, 2015**

**Related U.S. Application Data**

- (62) Division of application No. 29/477,228, filed on Dec. 20, 2013, now Pat. No. Des. 729,520.

**Foreign Application Priority Data**

- (30) Jul. 2, 2013 (WO) ..... DM/081 247

- (51) **LOC (10) Cl.** ..... **03-01**
- (52) **U.S. Cl.**  
USPC ..... **D3/294; D3/905**

- (58) **Field of Classification Search**  
USPC ..... D3/276, 279, 281, 282, 284, 291, 294,  
D3/295, 297, 298, 901, 905, 288, 292, 273,  
D3/302; 206/372-379, 1.7; 220/523-528,  
220/324, 4.21; D19/106, 83  
CPC . B25H 3/02-3/028; B25H 3/00; B25H 3/003;  
B25H 3/006  
See application file for complete search history.

(56) **References Cited**

**U.S. PATENT DOCUMENTS**

- D335,896 S \* 5/1993 Evenson ..... D19/83
- D418,977 S 1/2000 Streich
- D447,634 S 9/2001 Snider
- D450,921 S 11/2001 Kirkland

- D477,714 S 7/2003 Cunningham et al.
- D477,912 S 8/2003 Cunningham et al.
- D481,868 S 11/2003 Cunningham et al.
- D502,316 S 3/2005 Chen
- D516,808 S 3/2006 Brunson et al.
- 7,246,704 B2 7/2007 Brunson et al.
- D548,971 S 8/2007 Lin
- D552,352 S 10/2007 Lin
- D555,902 S 11/2007 Pendergraph et al.
- 7,328,796 B2 2/2008 Brunson et al.
- D579,201 S 10/2008 Galli
- 7,600,640 B2 10/2009 Hallee et al.
- D645,663 S 9/2011 Henley et al.
- D668,866 S \* 10/2012 Meng ..... D3/273
- D691,801 S \* 10/2013 Lin ..... D3/282
- D704,442 S \* 5/2014 Chen ..... D3/294
- D717,048 S \* 11/2014 Meng ..... D3/294
- D729,520 S \* 5/2015 Koeniger ..... D3/294

(Continued)

*Primary Examiner* — Jennifer Rivard

*Assistant Examiner* — April Rivas

(74) *Attorney, Agent, or Firm* — Crowell & Moring LLP

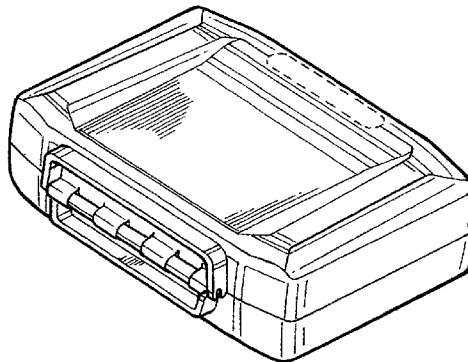
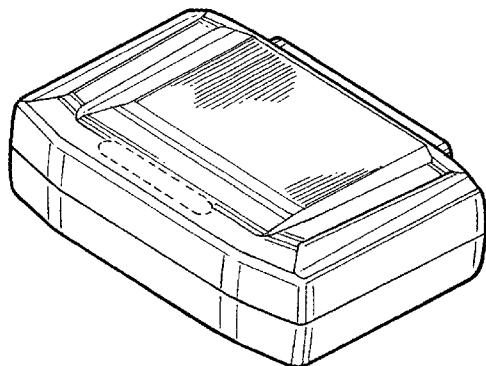
(57) **CLAIM**

The ornamental design for a box for bits and/or tools, as shown and described.

**DESCRIPTION**

FIG. 1 is a top, front perspective view of a box for bits and/or tools according to the design;  
 FIG. 2 is top, rear perspective view thereof;  
 FIG. 3 is a top view thereof;  
 FIG. 4 is a bottom view thereof;  
 FIG. 5 is a front view thereof;  
 FIG. 6 is a rear view thereof;  
 FIG. 7 is a left side view thereof; and,  
 FIG. 8 is a right side view thereof.  
 The broken lines illustrate portions of the box for bits and/or tools and form no part of the claimed design.

**1 Claim, 3 Drawing Sheets**



# US D749,846 S

Page 2

---

(56)

## References Cited

### U.S. PATENT DOCUMENTS

2004/0144671 A1 7/2004 Hallee et al.  
2006/0065557 A1\* 3/2006 Brunson ..... 206/273  
2006/0243617 A1 11/2006 Brunson et al.

2008/0017537 A1\* 1/2008 Inskeep et al. .... 206/350  
2010/0122983 A1\* 5/2010 Steele ..... 220/4.03  
2013/0075292 A1\* 3/2013 Hsu ..... 206/349  
2015/0136763 A1\* 5/2015 Chou ..... 220/4.21  
2015/0251309 A1\* 9/2015 Chao-Ming ..... 206/376

\* cited by examiner

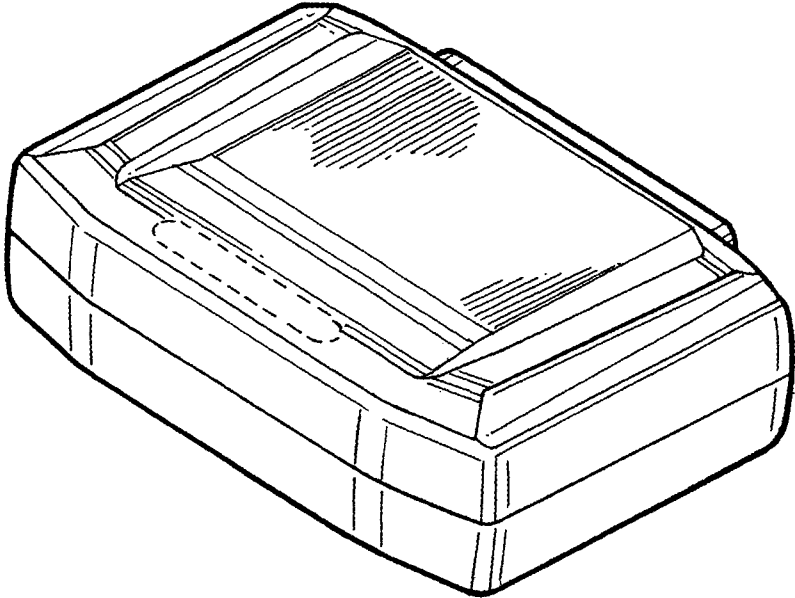


FIG. 1

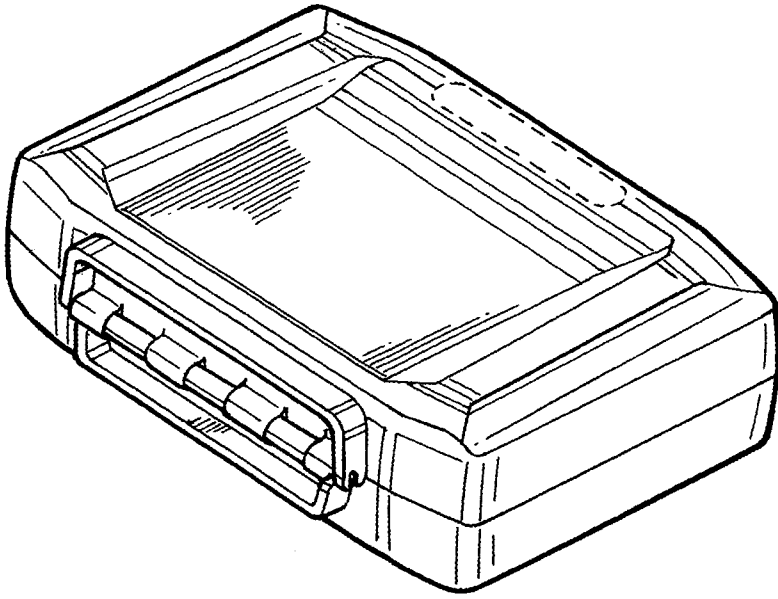


FIG. 2

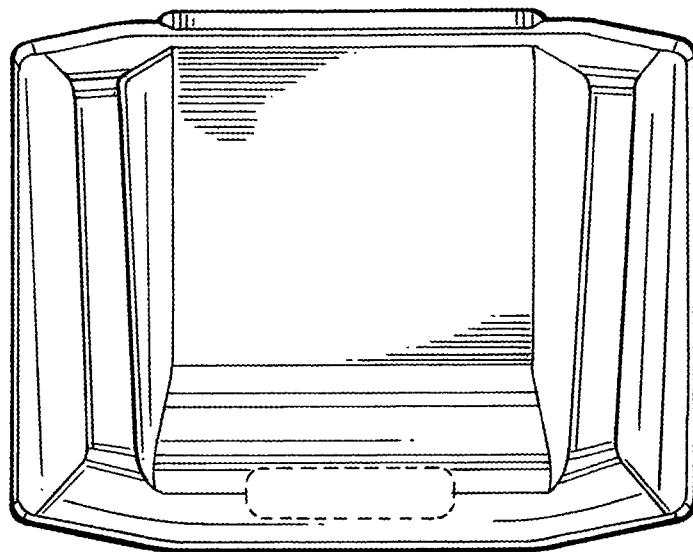


FIG. 3

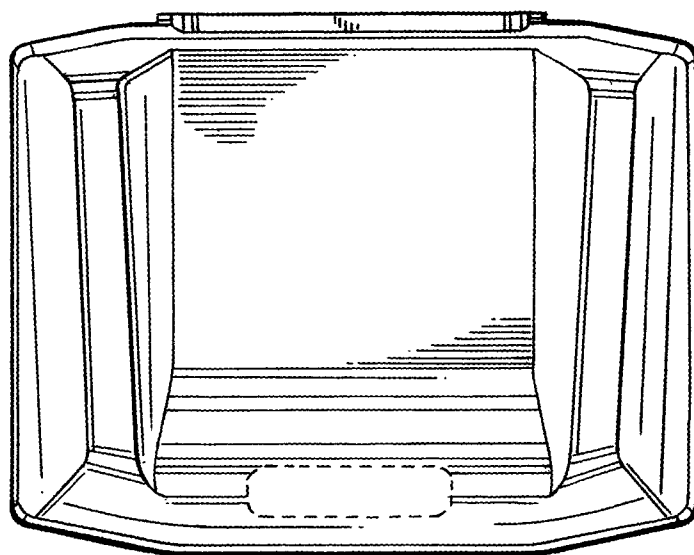


FIG. 4

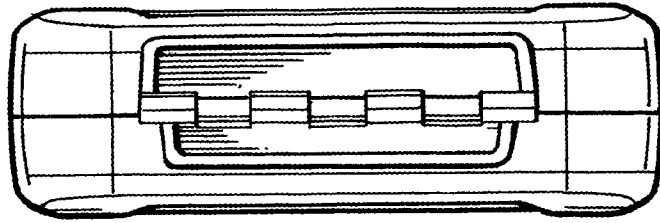


FIG. 5

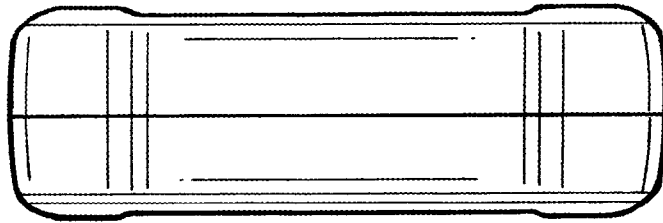


FIG. 6

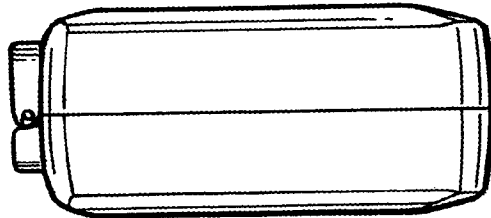


FIG. 7

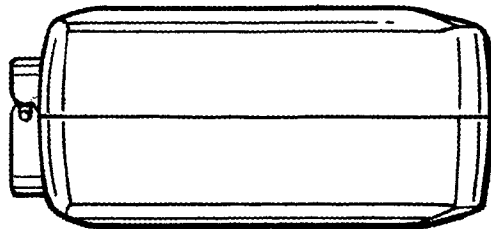


FIG. 8