



US00D658562S

(12) **United States Design Patent**  
**Junghanns**

(10) **Patent No.:** **US D658,562 S**

(45) **Date of Patent:** **\*\* May 1, 2012**

(54) **WHEEL OR WHEEL COVER**

(75) Inventor: **Matthias Junghanns**, Munich (DE)

(73) Assignee: **Bayerische Motoren Werke Aktiengesellschaft**, Munich (DE)

(\*\*) Term: **14 Years**

(21) Appl. No.: **29/386,148**

(22) Filed: **Feb. 25, 2011**

(30) **Foreign Application Priority Data**

Aug. 26, 2010 (DE) ..... 40 2010 004 624

(51) **LOC (9) Cl.** ..... **12-16**

(52) **U.S. Cl.** ..... **D12/211**

(58) **Field of Classification Search** ..... D12/204-213;  
301/37.101, 64.101, 65, 64.201

See application file for complete search history.

(56) **References Cited**

**U.S. PATENT DOCUMENTS**

D215,928 S	*	11/1969	Porsche	.....	D12/211
D238,421 S	*	1/1976	Wittine	.....	D12/211
D252,565 S	*	8/1979	Blanchard	.....	D12/211
D267,562 S	*	1/1983	Palmer et al.	.....	D12/211
D268,261 S	*	3/1983	Boyer	.....	D12/211
D271,012 S	*	10/1983	Palmer et al.	.....	D12/211
D288,313 S	*	2/1987	Sandberg	.....	D12/211
D303,104 S	*	8/1989	Shannon	.....	D12/211
D324,200 S	*	2/1992	Lorinser	.....	D12/211

D374,648 S	*	10/1996	Pfeiffer	.....	D12/209
D408,775 S	*	4/1999	Shikado	.....	D12/209
D441,708 S	*	5/2001	Pfeiffer	.....	D12/211
D454,531 S	*	3/2002	Amatino	.....	D12/211
D454,827 S	*	3/2002	Pfeiffer et al.	.....	D12/211
D502,136 S	*	2/2005	Pfeiffer	.....	D12/211
D502,438 S	*	3/2005	Weld	.....	D12/211
D542,723 S	*	5/2007	Bruntz et al.	.....	D12/204

**FOREIGN PATENT DOCUMENTS**

DE	M8908658.9	8/1990
DE	M9204236.8	11/1992
DE	40111247.0	1/2007

\* cited by examiner

*Primary Examiner* — Stacia Cadmus

(74) *Attorney, Agent, or Firm* — Crowell & Moring LLP

(57) **CLAIM**

The ornamental design for a wheel or wheel cover, as shown and described.

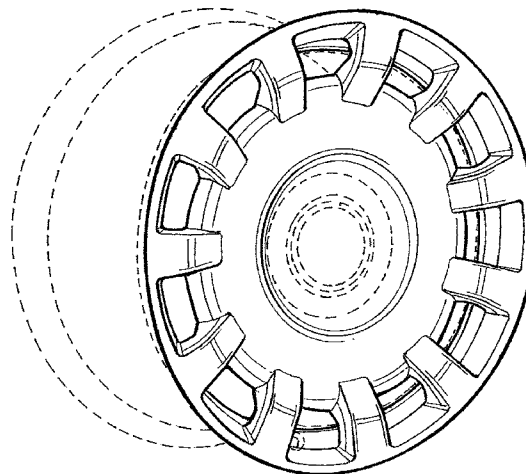
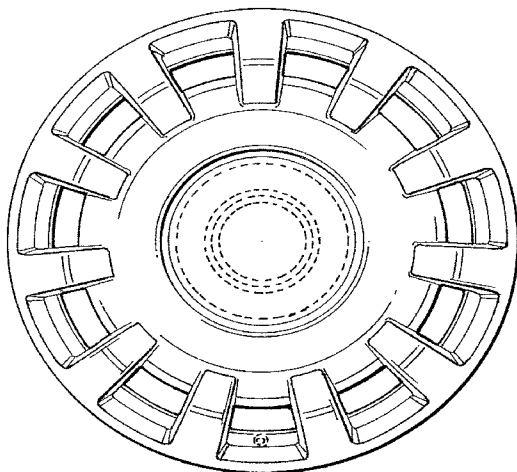
**DESCRIPTION**

FIG. 1 is a front view of a wheel or wheel cover according to my design; and,

FIG. 2 is a perspective view thereof.

The broken line showing of the rear of the wheel and the center cap in the central hub area is included for the purpose of illustrating environment and forms no part of the claimed design.

**1 Claim, 1 Drawing Sheet**



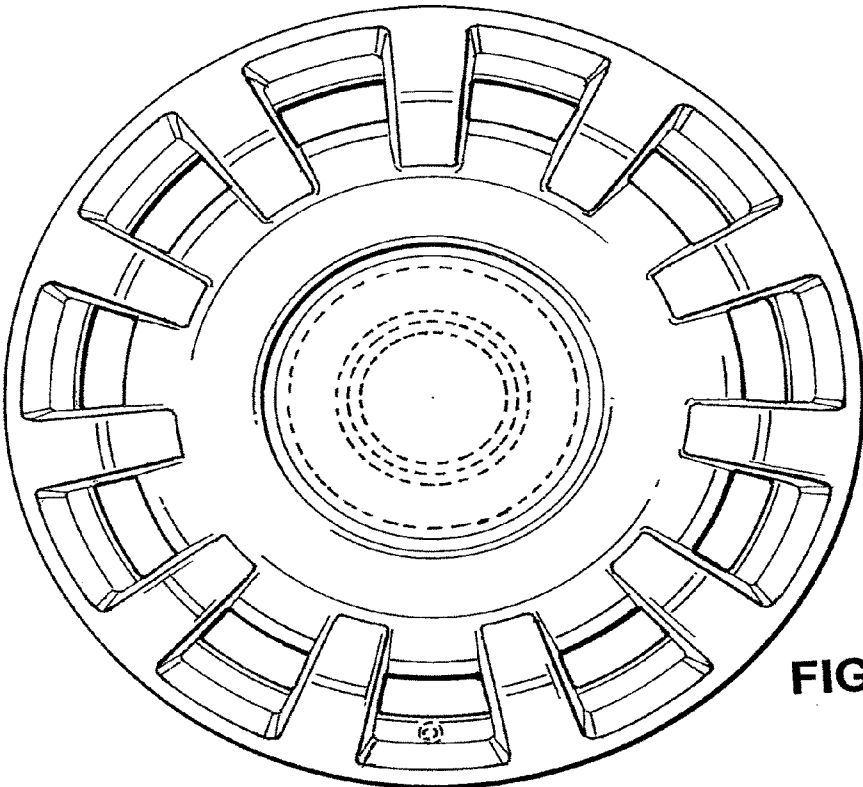


FIG. 1

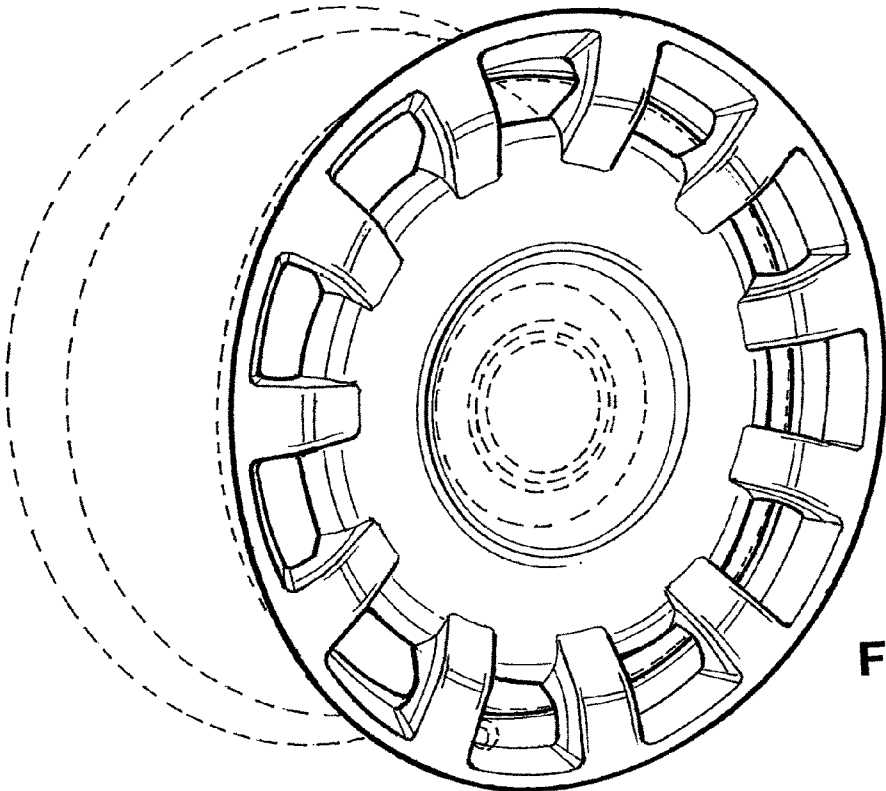


FIG. 2