



US00D680569S

(12) **United States Design Patent**
Lee et al.

(10) **Patent No.:** **US D680,569 S**

(45) **Date of Patent:** **** Apr. 23, 2013**

(54) **CAMERA FOR TELEVISION**

(75) Inventors: **Yongho Lee**, Seoul (KR); **Nari Lee**,
Seoul (KR); **Yeonga Lee**, Seoul (KR)

(73) Assignee: **LG Electronics Inc.**, Seoul (KR)

(**) Term: **14 Years**

(21) Appl. No.: **29/417,993**

(22) Filed: **Apr. 11, 2012**

(30) **Foreign Application Priority Data**

Oct. 27, 2011 (KR) 30-2011-0045121

(51) **LOC (9) Cl.** **16-01**

(52) **U.S. Cl.**
USPC **D16/202; D16/242**

(58) **Field of Classification Search** D16/200,
D16/202, 203, 208, 218, 242; 248/187.1;
348/373-375; 396/419, 535, 540, 541
See application file for complete search history.

(56) **References Cited**

U.S. PATENT DOCUMENTS

D600,730 S *	9/2009	Su	D16/202
D629,031 S *	12/2010	Su et al.	D16/202
D641,388 S *	7/2011	Shih et al.	D16/202
D662,532 S *	6/2012	Chang	D16/202

D664,579 S *	7/2012	Tzeng	D16/202
D665,441 S *	8/2012	McManigal	D16/218
D675,660 S *	2/2013	Su	D16/202

* cited by examiner

Primary Examiner — Adir Aronovich

(74) *Attorney, Agent, or Firm* — Morgan, Lewis & Bockius
LLP

(57) **CLAIM**

The ornamental design for a camera for television, as shown
and described.

DESCRIPTION

FIG. 1 is a bottom perspective view of a camera for television showing our new design;
 FIG. 2 is a front elevational view thereof;
 FIG. 3 is a rear elevational view thereof;
 FIG. 4 is a left side elevational view thereof;
 FIG. 5 is a right side elevational view thereof;
 FIG. 6 is a top plan view thereof;
 FIG. 7 is a bottom plan view thereof;
 FIG. 8 is a reduced perspective view thereof showing the camera in use; and,
 FIG. 9 is a right side elevational view of FIG. 8.
 The broken lines shown in FIG. 8 and FIG. 9 are for illustrative purposes only and form no part of the claimed design.

1 Claim, 8 Drawing Sheets

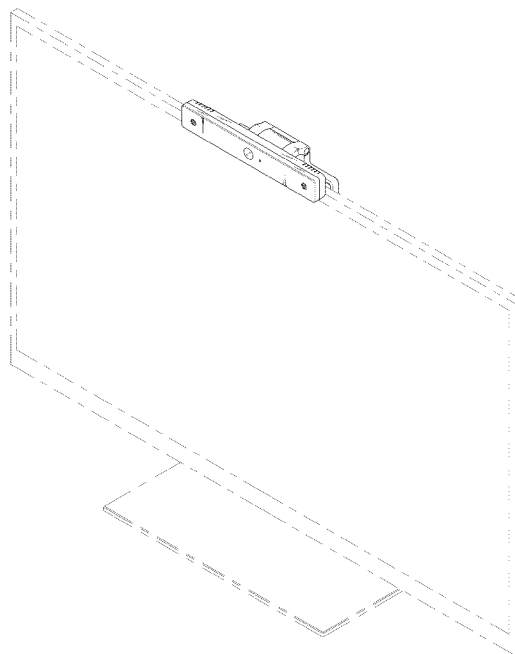
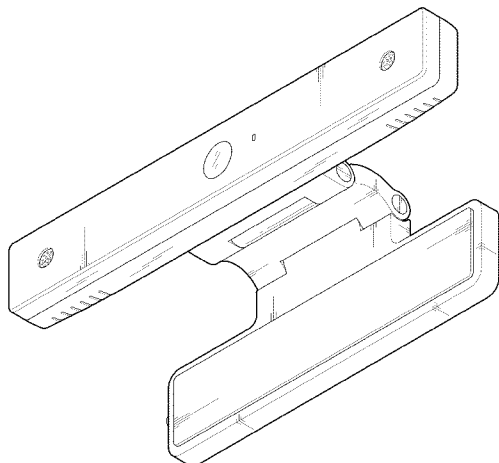


FIG. 1

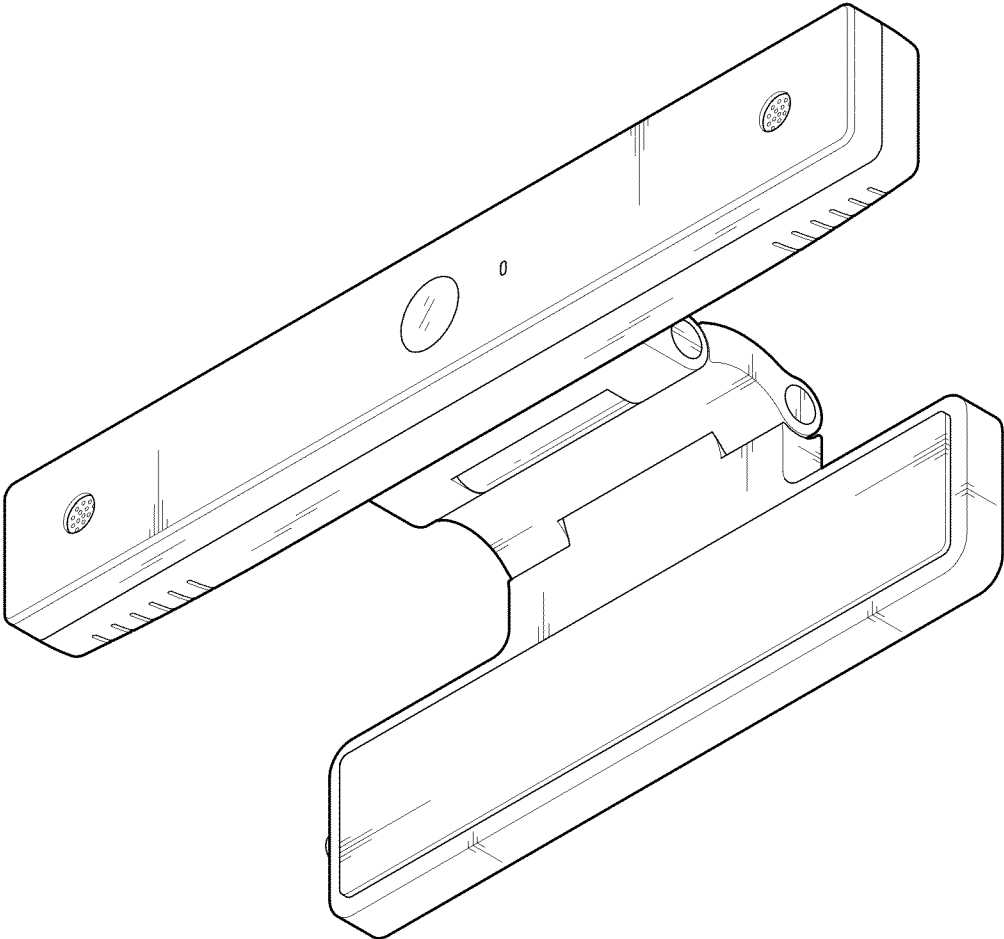


FIG. 2

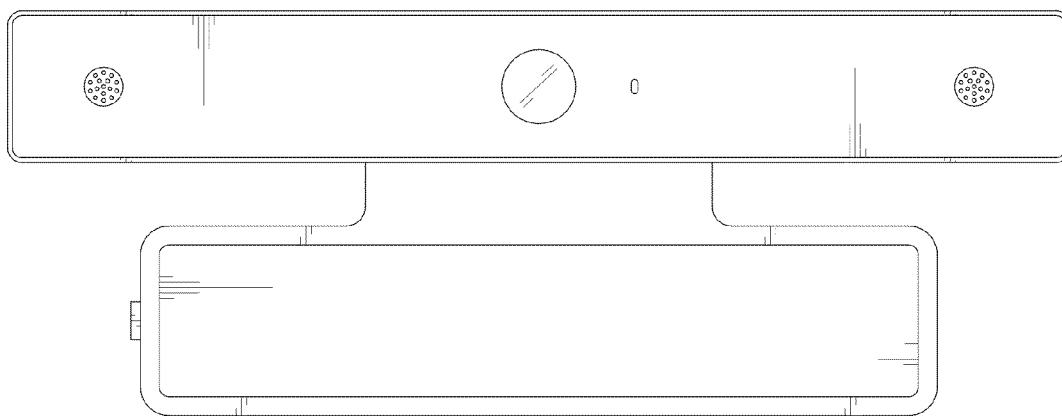


FIG. 3

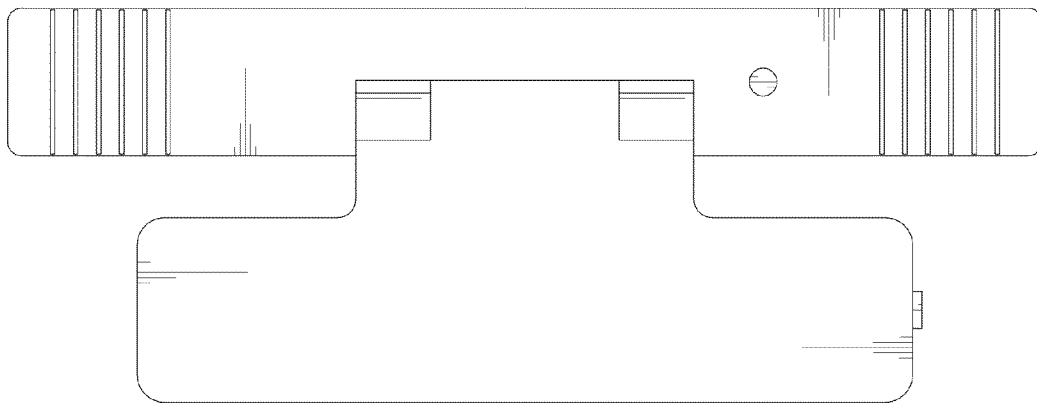


FIG. 4

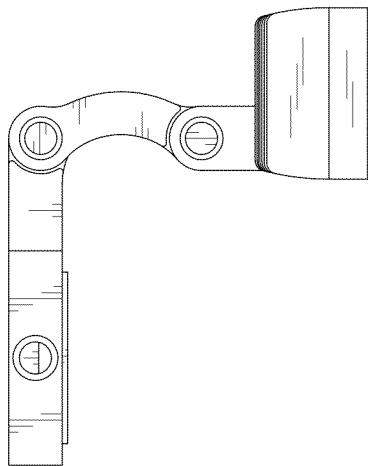


FIG. 5

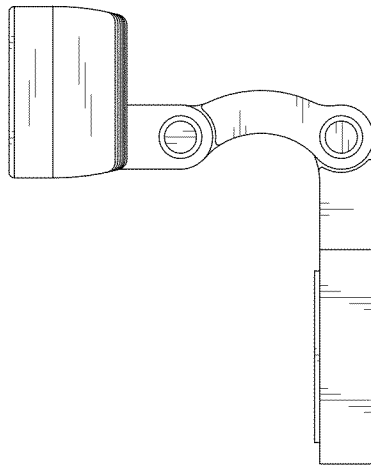


FIG. 6

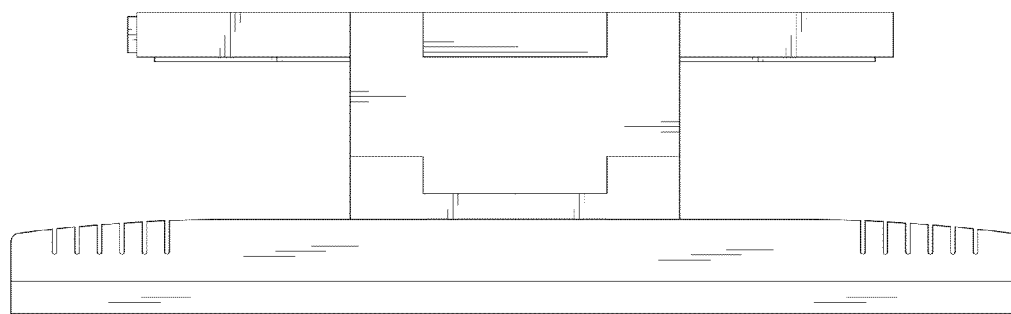


FIG. 7

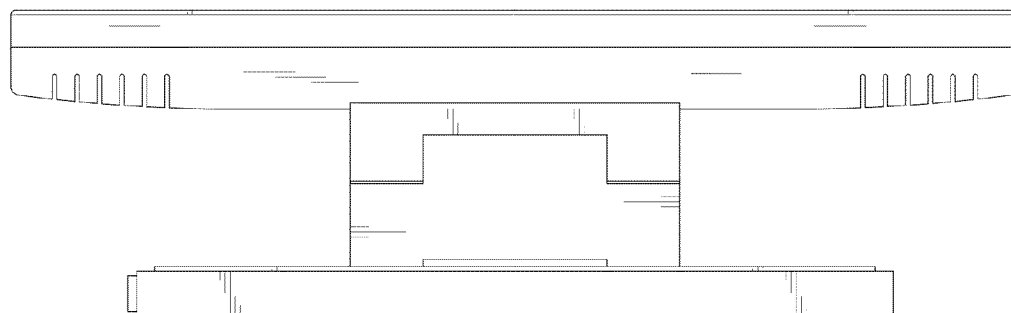


FIG. 8

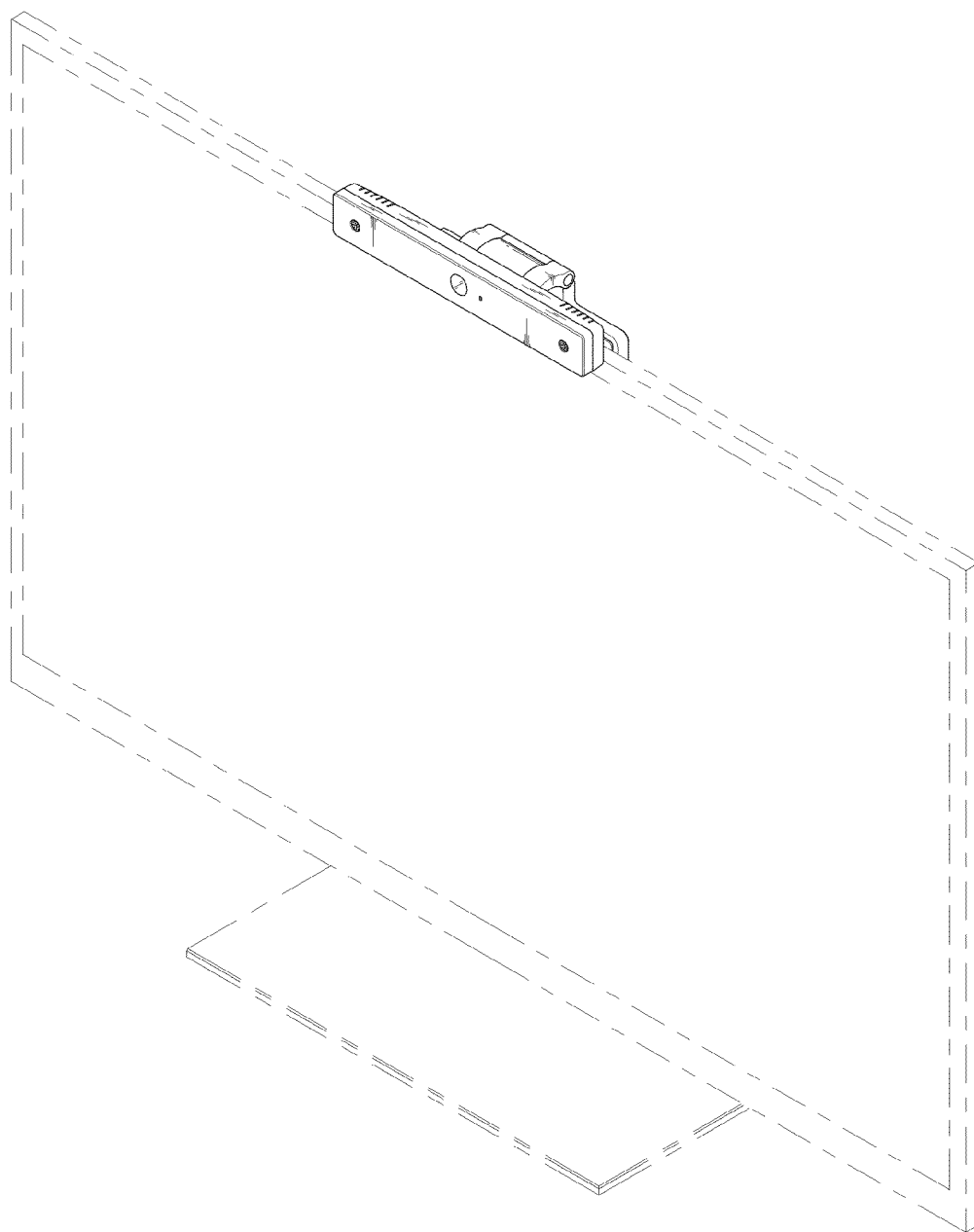


FIG. 9

