



US0D1069502S

(12) **United States Design Patent**  
**Yang**

(10) **Patent No.:** **US D1,069,502 S**

(45) **Date of Patent:** **\*\* Apr. 8, 2025**

(54) **STRAW CUP**

(71) Applicant: **Qingdao Jialeyou Trading Co., Ltd.**,  
Shandong (CN)

(72) Inventor: **Hongmei Yang**, Shandong (CN)

(\*\*) Term: **15 Years**

(21) Appl. No.: **29/979,871**

(22) Filed: **Dec. 20, 2024**

(51) **LOC (15) Cl.** ..... **07-09**

(52) **U.S. Cl.**

USPC ..... **D7/624.2**; D7/509; D7/533

(58) **Field of Classification Search**

USPC ..... D7/506-511, 318, 531-533, 602, 396.2,  
D7/392.1, 396.1, 622, 623, 624.2, 300.2,  
D7/709, 305; D9/719, 741, 532; D3/202

CPC ..... A63F 2009/0058; A47G 19/2205; A47J  
41/00; B65D 21/02; F17C 2270/0727

See application file for complete search history.

(56) **References Cited**

**U.S. PATENT DOCUMENTS**

5,088,673	A *	2/1992	Chandler	.....	B60N 3/103
					D7/619.1
D397,915	S *	9/1998	McNaughton	.....	D7/619.1
D431,735	S *	10/2000	Sullivan	.....	D6/677
D597,795	S *	8/2009	Ford	.....	D7/624.2
D645,699	S *	9/2011	Hadley	.....	D7/624.2
D650,232	S	12/2011	Gilbert		
D701,425	S	3/2014	Pearson		
D748,955	S *	2/2016	Oliver	.....	D7/624.2
D761,623	S *	7/2016	Leimone	.....	D9/542
D769,069	S	10/2016	Sanbar		

(Continued)

**FOREIGN PATENT DOCUMENTS**

CN	308417934	*	1/2024
CN	308656357	*	5/2024

(Continued)

**OTHER PUBLICATIONS**

Tannare [online] URL: <https://www.tannare.com/collections/products/products/rattlesnake-leather-yeti-cup-sleeve-w-handle> (site visited: Jan. 24, 2025) (Year: 2025).\*

(Continued)

*Primary Examiner* — April Rivas

*Assistant Examiner* — Tia Ruth-Renee Polidori

(74) *Attorney, Agent, or Firm* — Hawaii Patent Services;  
Nathaniel K. Fedde; Kenton N. Fedde

(57) **CLAIM**

The ornamental design for a straw cup, as shown and described.

**DESCRIPTION**

FIG. 1 is a front, right, top perspective view of a straw cup, showing my new design;

FIG. 2 is a rear, left, bottom perspective view thereof;

FIG. 3 is a front elevational view thereof;

FIG. 4 is a rear elevational view thereof;

FIG. 5 is a left side view thereof;

FIG. 6 is a right side view thereof;

FIG. 7 is a top plan view thereof;

FIG. 8 is a bottom plan view thereof;

FIG. 9 is an enlarged view of detail 9 in FIG. 1;

FIG. 10 is an enlarged view of detail 10 in FIG. 1;

FIG. 11 is an enlarged view of detail 11 in FIG. 2;

FIG. 12 is an enlarged view of detail 12 in FIG. 2;

FIG. 13 is an enlarged view of detail 13 in FIG. 3;

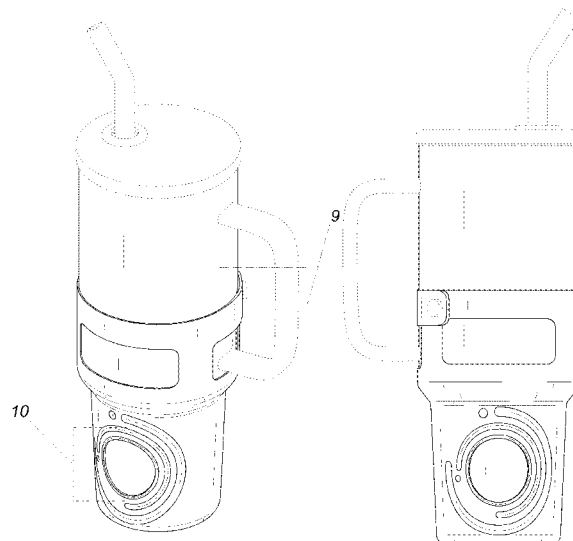
FIG. 14 is an enlarged view of detail 14 in FIG. 6; and,

FIG. 15 is an enlarged view of detail 15 in FIG. 8.

The dashed broken lines in the figures are for the purposes of illustrating portions of the straw cup and form no part of the claimed design.

The dash-dot-dash broken lines are for notating enlarged views and form no part of the claimed design.

**1 Claim, 15 Drawing Sheets**



(56)

References Cited

U.S. PATENT DOCUMENTS

D784,082 S 4/2017 Yao  
 D795,023 S \* 8/2017 Gazibara ..... D7/622  
 D799,909 S \* 10/2017 Partridge ..... D12/419  
 D848,793 S \* 5/2019 Osada ..... D7/510  
 10,537,168 B1 \* 1/2020 Littleton ..... A45F 5/10  
 D891,866 S 8/2020 Ames  
 D892,548 S \* 8/2020 Yoon ..... D7/397  
 D915,827 S 4/2021 Fang  
 D927,926 S 8/2021 Jin  
 D978,775 S \* 2/2023 MacNeil ..... D12/419  
 D981,789 S 3/2023 Zhu  
 D982,982 S 4/2023 Jinkins  
 D983,615 S \* 4/2023 Xie ..... D7/619.1  
 D993,892 S \* 8/2023 MacNeil ..... D12/419  
 D993,893 S \* 8/2023 Xie ..... D12/419  
 D1,000,208 S \* 10/2023 Lv ..... D7/511  
 D1,016,568 S \* 3/2024 Omdahl, II ..... D7/510  
 D1,017,054 S \* 3/2024 Covi ..... D7/624.2  
 D1,018,204 S \* 3/2024 Chen ..... D7/532  
 D1,033,167 S \* 7/2024 Li ..... D3/202  
 D1,049,790 S \* 11/2024 Hu ..... D7/510  
 D1,050,809 S 11/2024 Hu

FOREIGN PATENT DOCUMENTS

CN 308725361 \* 7/2024  
 CN 308877780 \* 10/2024  
 CN 309033175 \* 12/2024  
 CN 309068816 \* 1/2025

OTHER PUBLICATIONS

Etsy [online] URL: <https://www.etsy.com/listing/1486058545/high-quality-leather-cup-holder-with?> (site visited: Jan. 24, 2025) (Year: 2024).\*

Toynlife [online] URL: <https://www.toynlife.com/products/protective-water-bottle-cover-silicone-tumbler-stanley> (site visited: Jan. 24, 2025) (Year: 2025).\*

Outxe [online] URL: <https://www.amazon.in/OUTXE-Silicone-Adventure-Protector-Accessories/dp/B0CM988MGS> (site visited: Jan. 24, 2025) (Year: 2023).\*

Winsa [online] URL: <https://www.amazon.sa/-/en/WINSA-Tumbler-Bottles-Silicone-Free-Black/dp/B0C4NVGY4Q?th=1> (site visited: Jan. 24, 2025) (Year: 2023).\*

Spreccio [online] URL: <https://www.amazon.ca/Spreccio-Tumbler-Reusable-Bottles-Smoothie/dp/B0D26GZJ98> (site visited: Jan. 24, 2025) (Year: 2024).\*

Thxbag [online] URL: <https://www.amazon.ca/Thxbag-Silicone-Quencher-Adventure-Accessories/dp/B0CB1SFV3X?th=1> (site visited: Jan. 24, 2025) (Year: 2023).\*

Enforose [online] URL: <https://www.amazon.com/Suitable-Silicone-Anti-Slip-Wear-Resistant-Protective/dp/B0CW3GMSZ3> (site visited: Jan. 24, 2025) (Year: 2024).\*

Generic [online] URL: <https://www.amazon.com/WISDING-Tumbler-Silicone-Sleeve-Protective/dp/B0B6HCWTS6?th=1> (site visited: Jan. 24, 2025) (Year: 2022).\*

Qixintech [online] URL: <https://www.amazon.sa/-/en/Compatible-Accessories-Water-Bottle-Black-Cream/dp/B0D49B7PFS?th=1> (site visited: Jan. 24, 2025) (Year: 2024).\*

Encased [online] URL: <https://www.amazon.sa/-/en/Encased-Silicone-Protector-Compatible-Quencher/dp/B0CZM564MK?th=1> (site visited: Jan. 24, 2025) (Year: 2024).\*

Inventor-Originated Disclosure (See 130 Declaration): “Glass Tumbler with Handle, 32oz ReusableIced Coffee Cup, Olive Glass Tumbler with Straw and Lid, Glass Water Bottles Fit in Cup Holder, Smoothie Cup” (amazon.com) Apr. 19, 2024 Obtained from the internet URL: [https://www.amazon.com/Spreccio-Tumbler-Reusable-Bottles-Smoothie/dp/B0D26F2D6F/ref=sr\\_1\\_1?crd=KAJFRU7BE2EB&dib=eyJ2ljojMSJ9.r7zjP2I2IZ4JipnKVMcF5g](https://www.amazon.com/Spreccio-Tumbler-Reusable-Bottles-Smoothie/dp/B0D26F2D6F/ref=sr_1_1?crd=KAJFRU7BE2EB&dib=eyJ2ljojMSJ9.r7zjP2I2IZ4JipnKVMcF5g).

\* cited by examiner

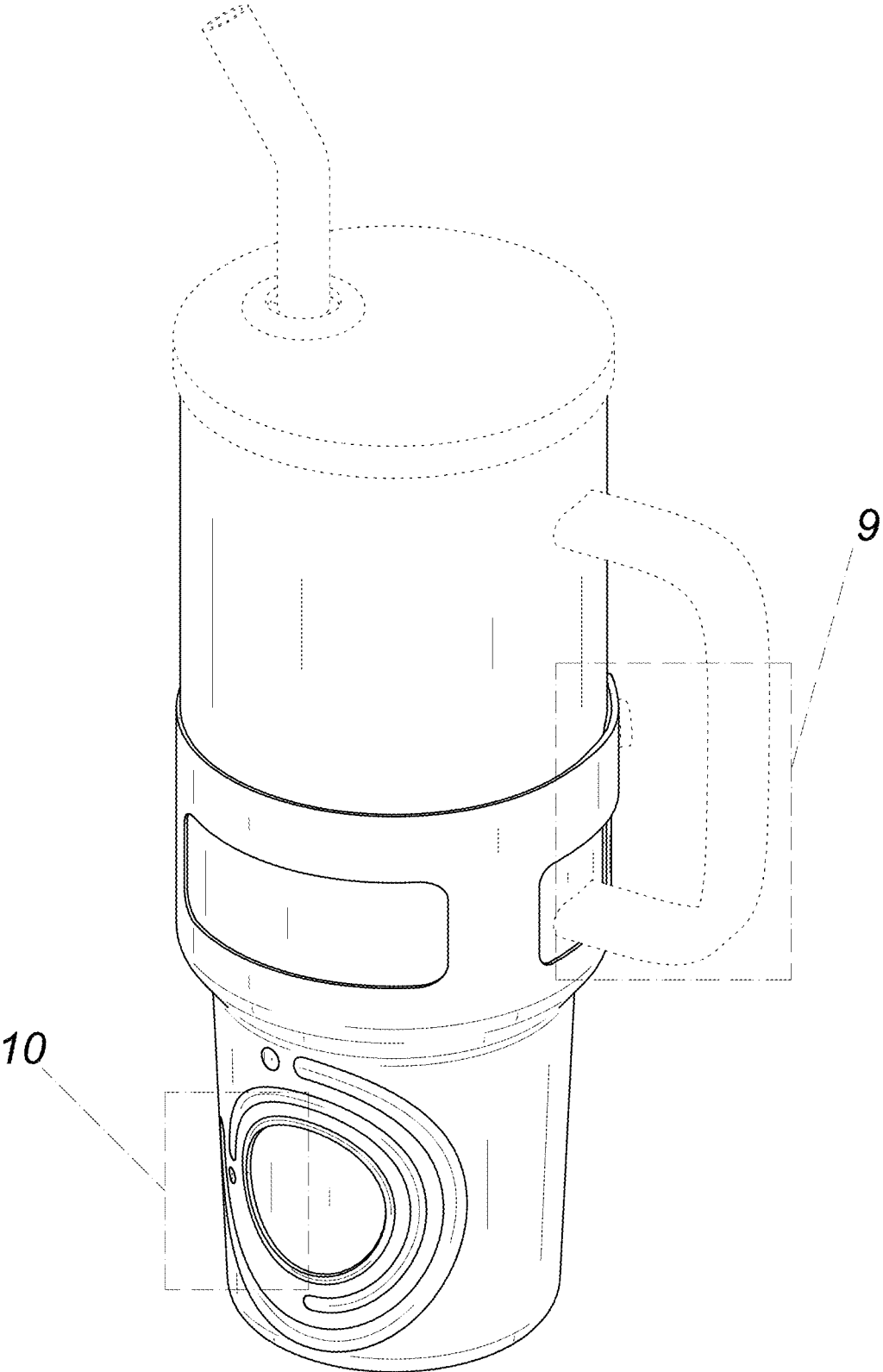


FIG.1

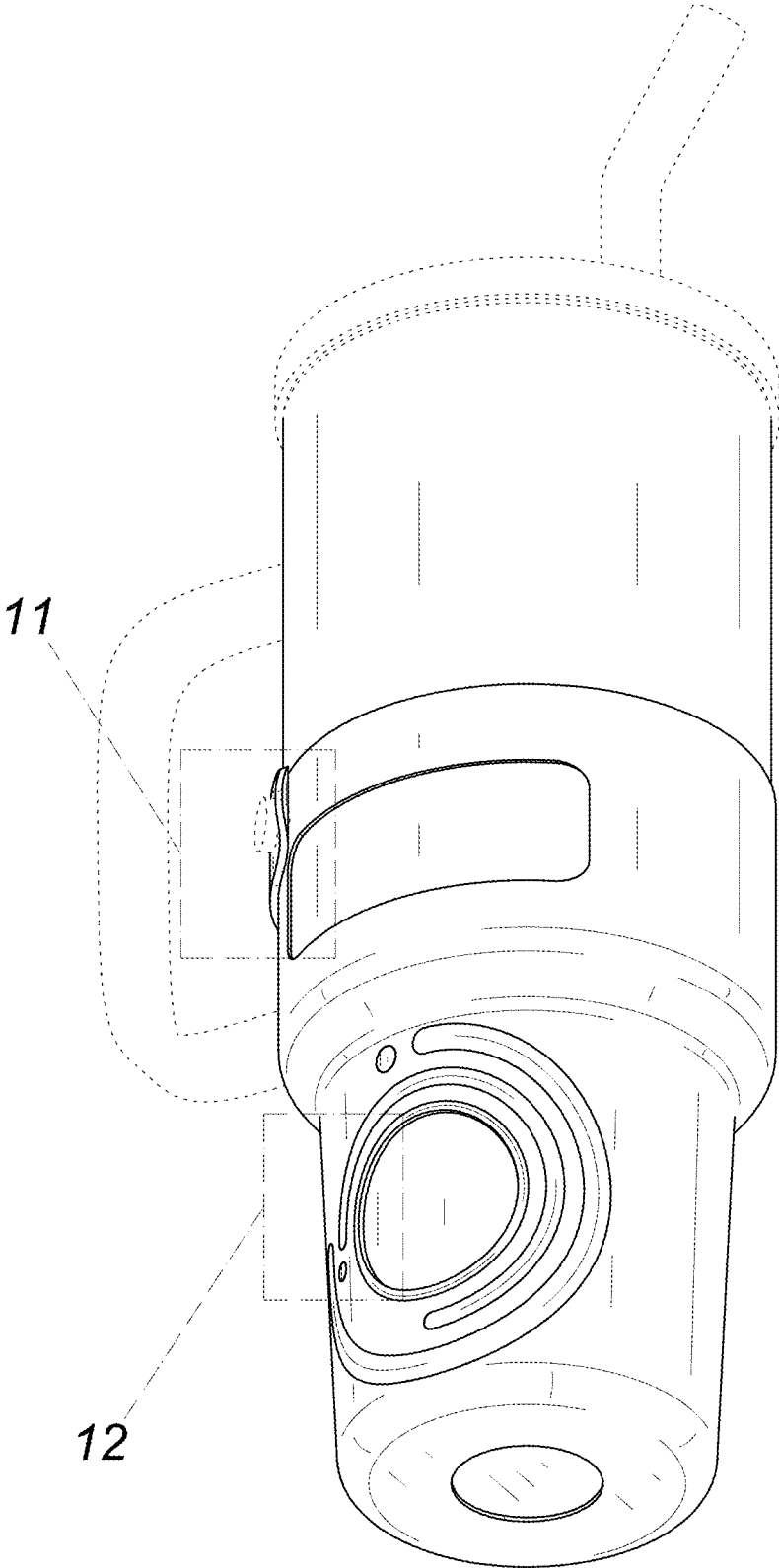


FIG.2

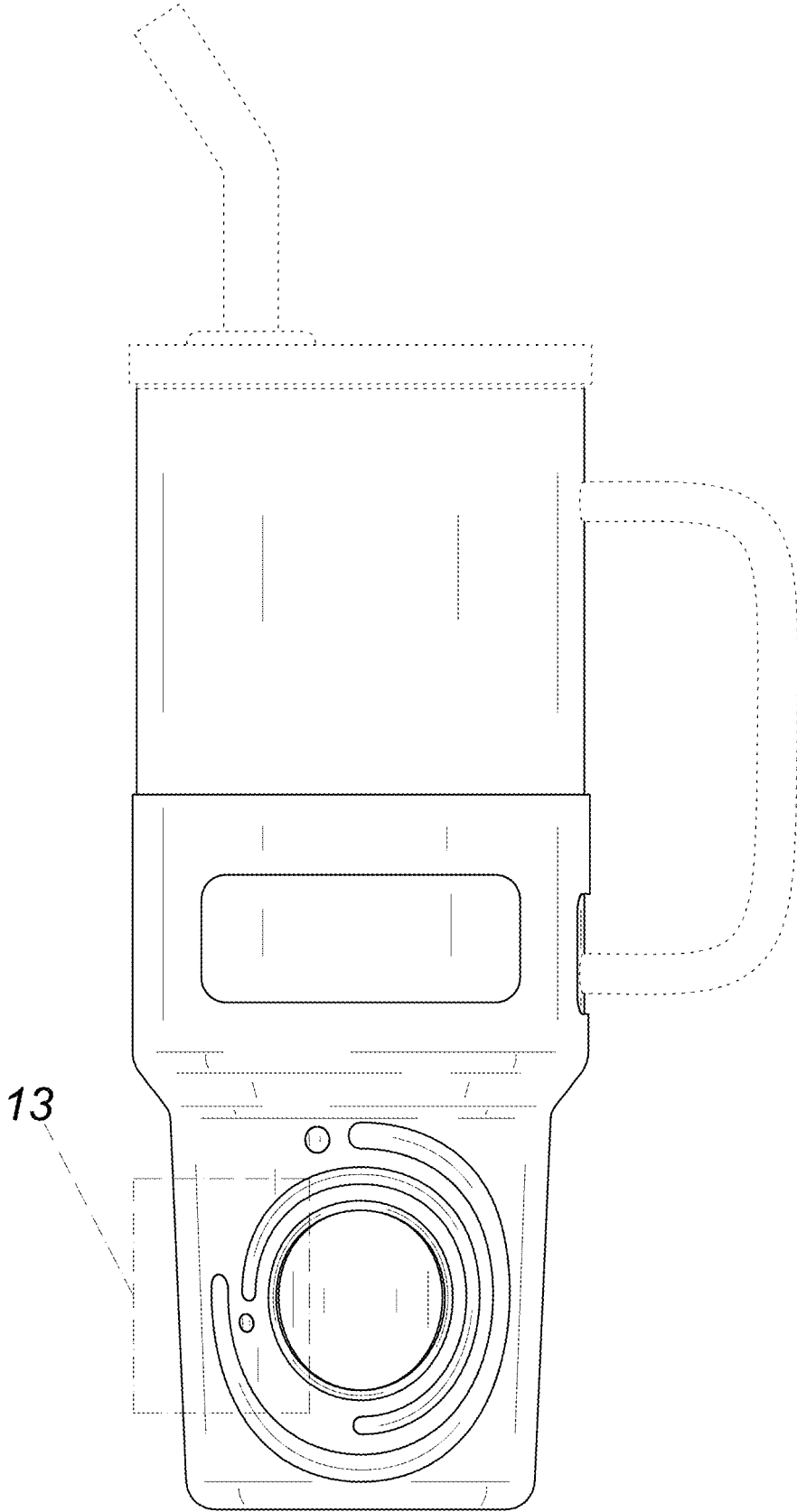


FIG.3

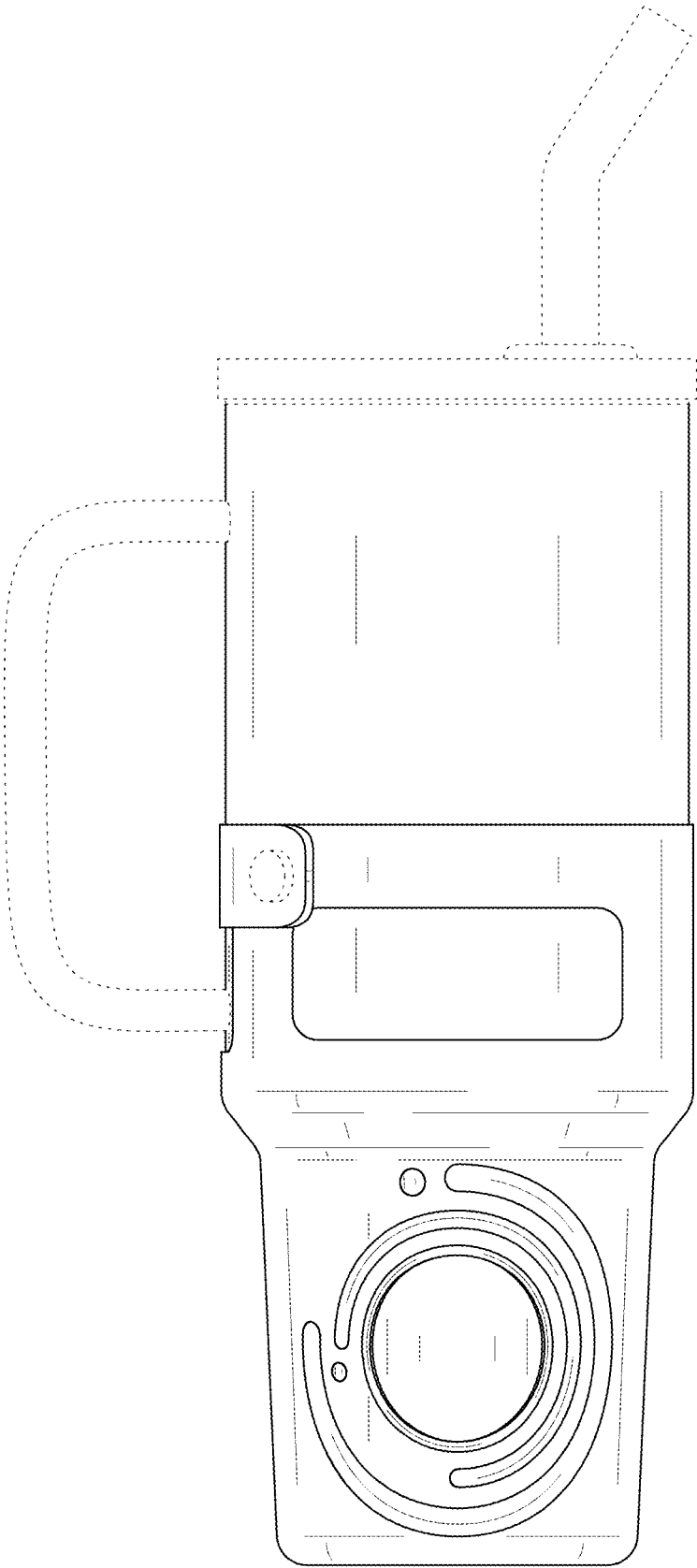


FIG. 4

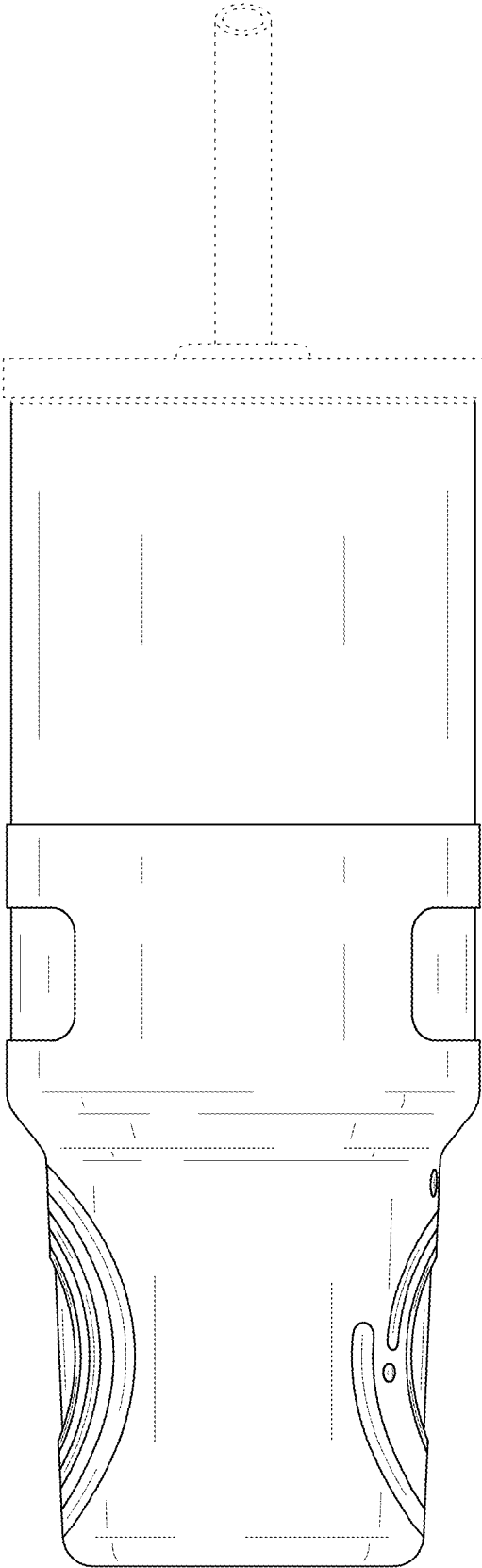


FIG.5

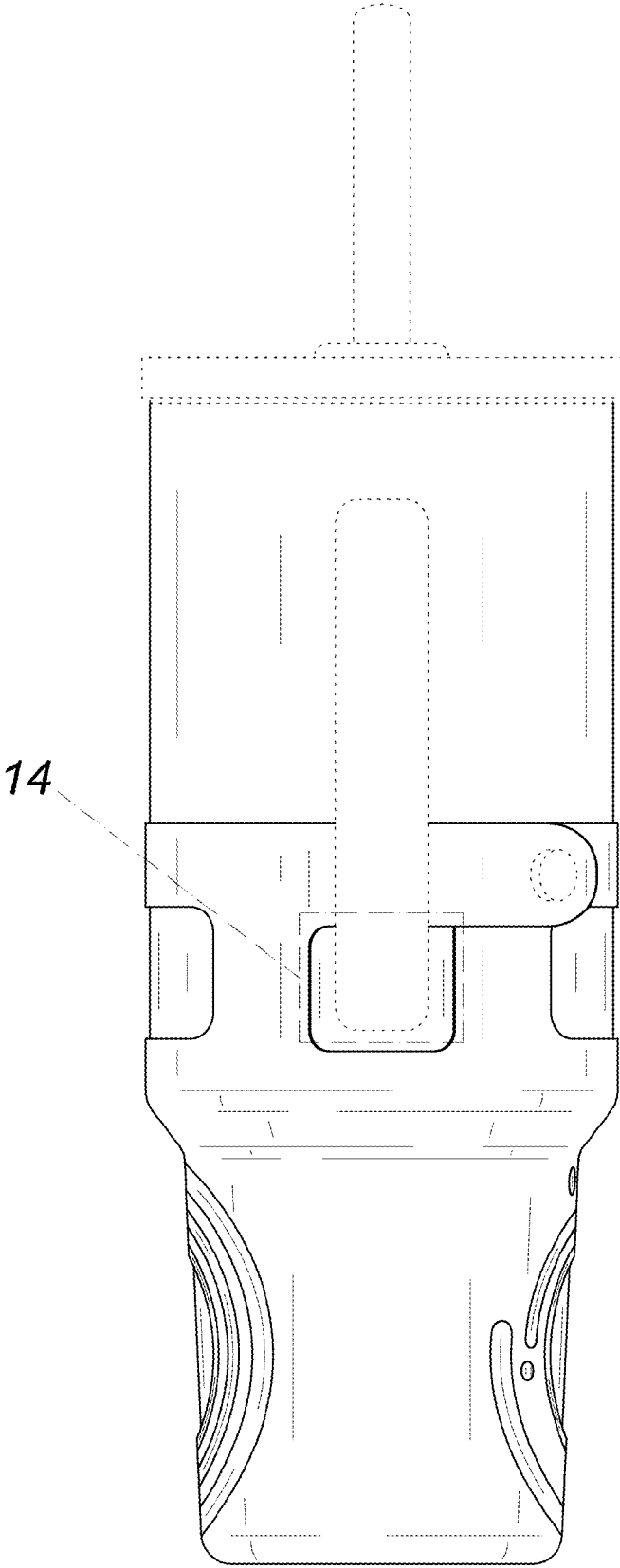
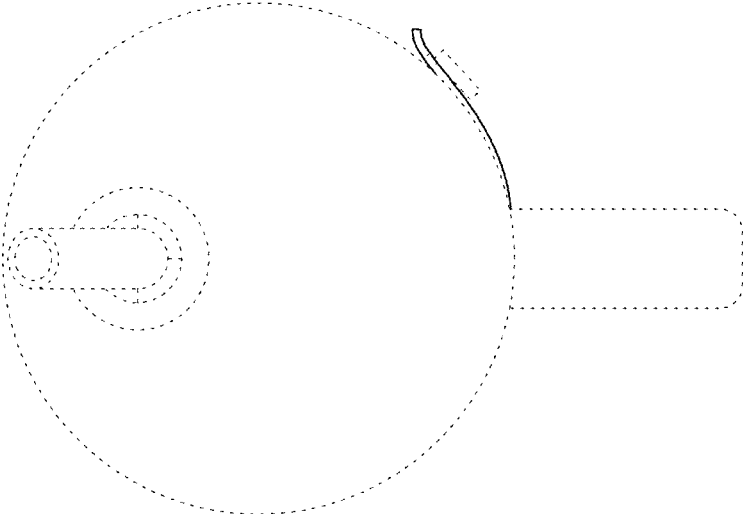
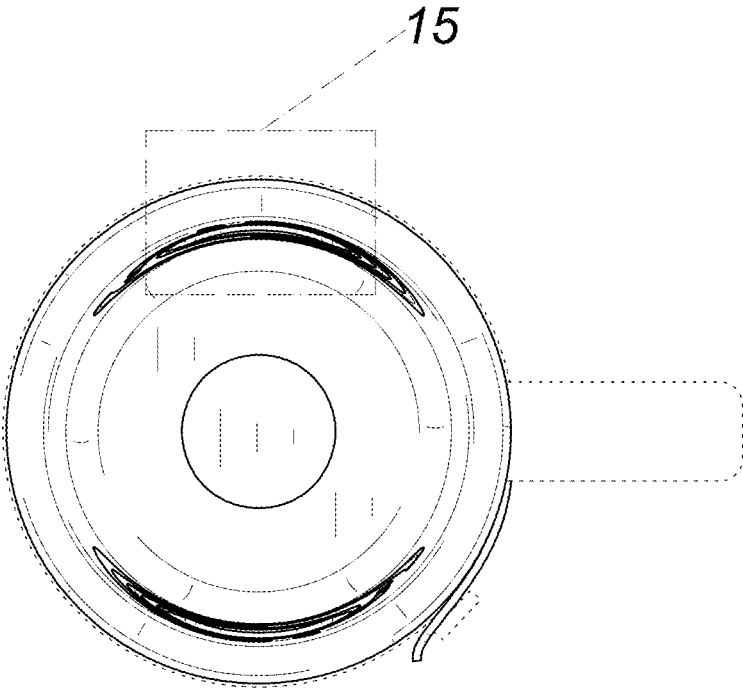


FIG.6



**FIG. 7**



*FIG. 8*

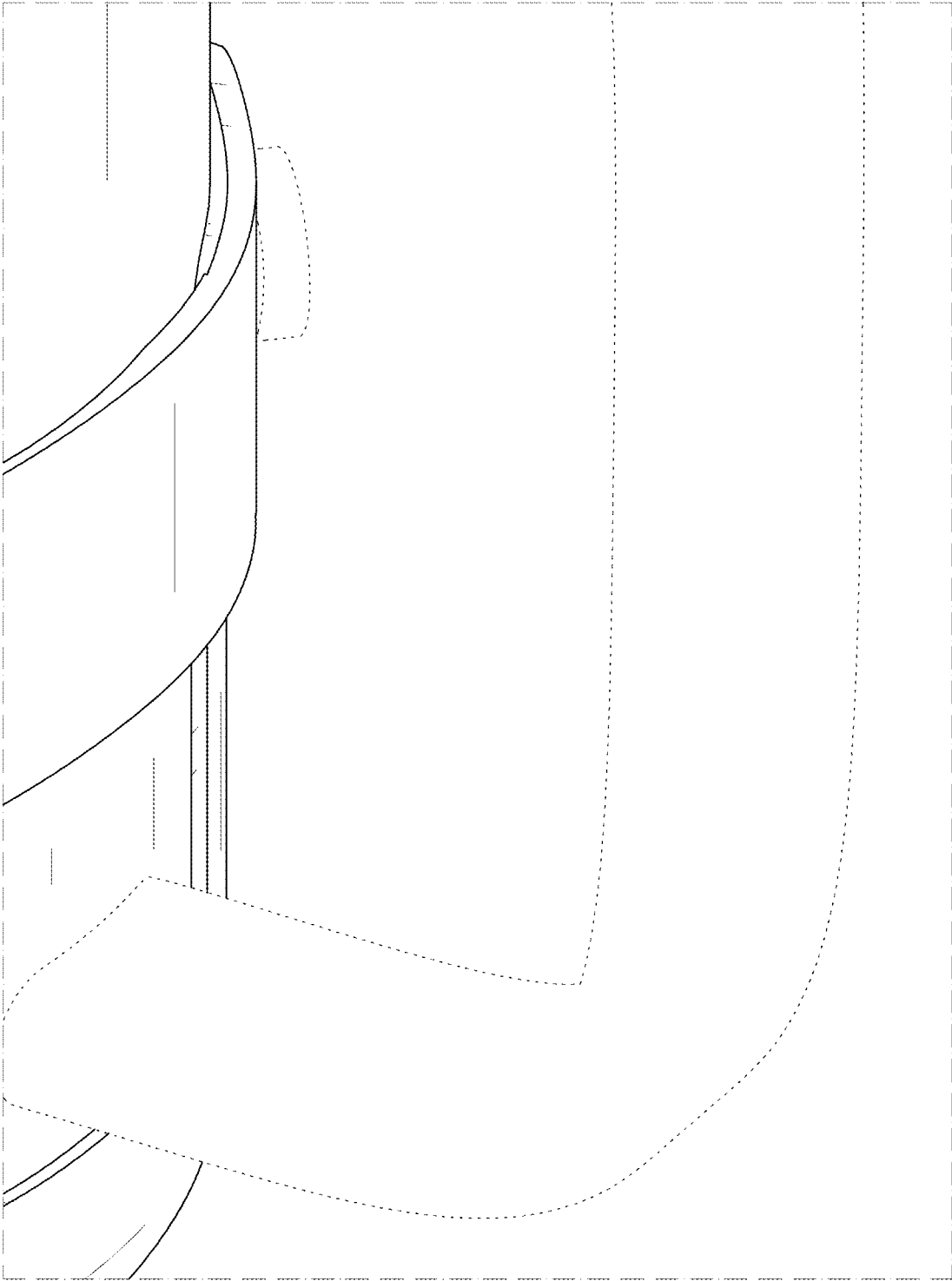
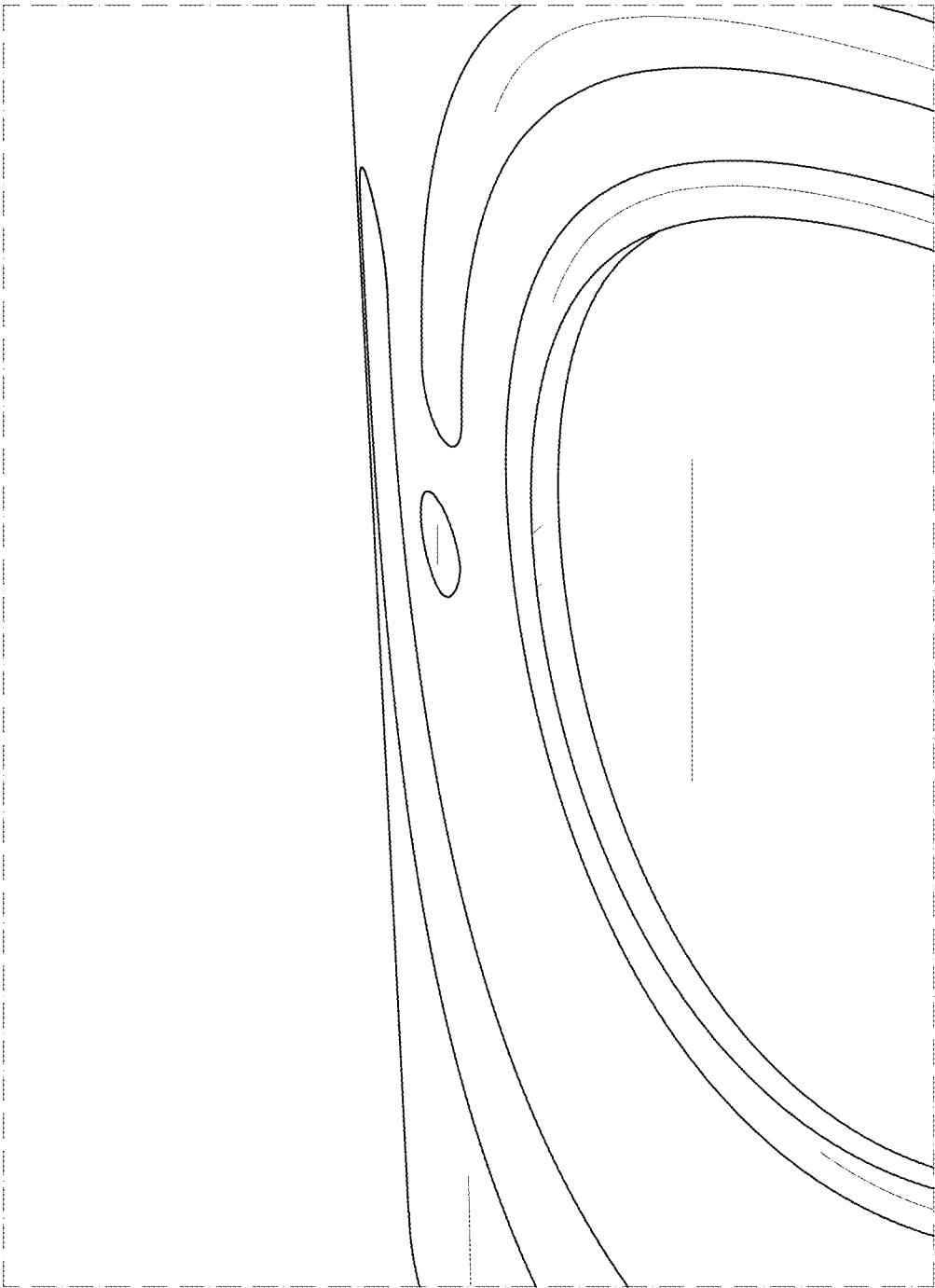
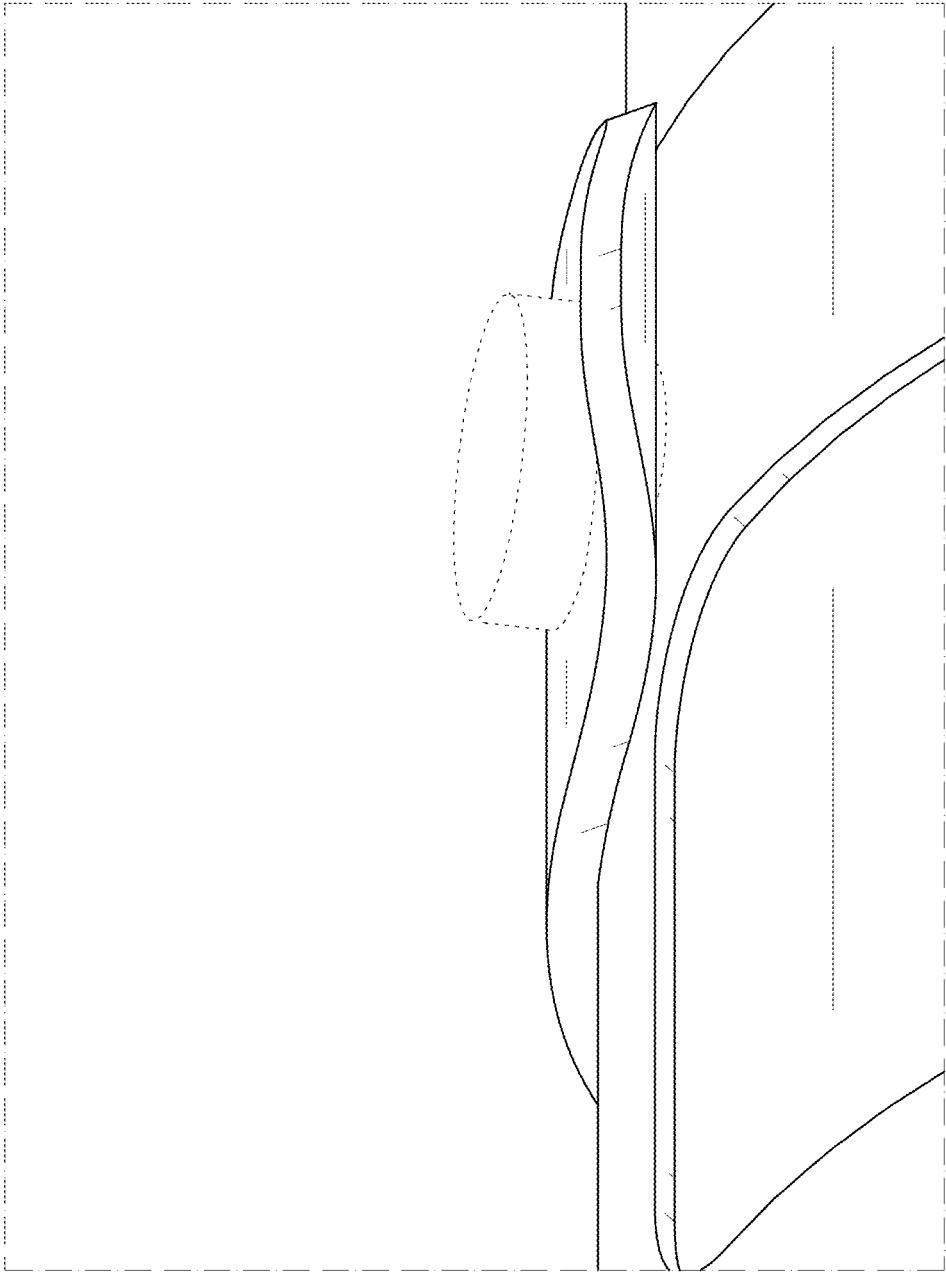


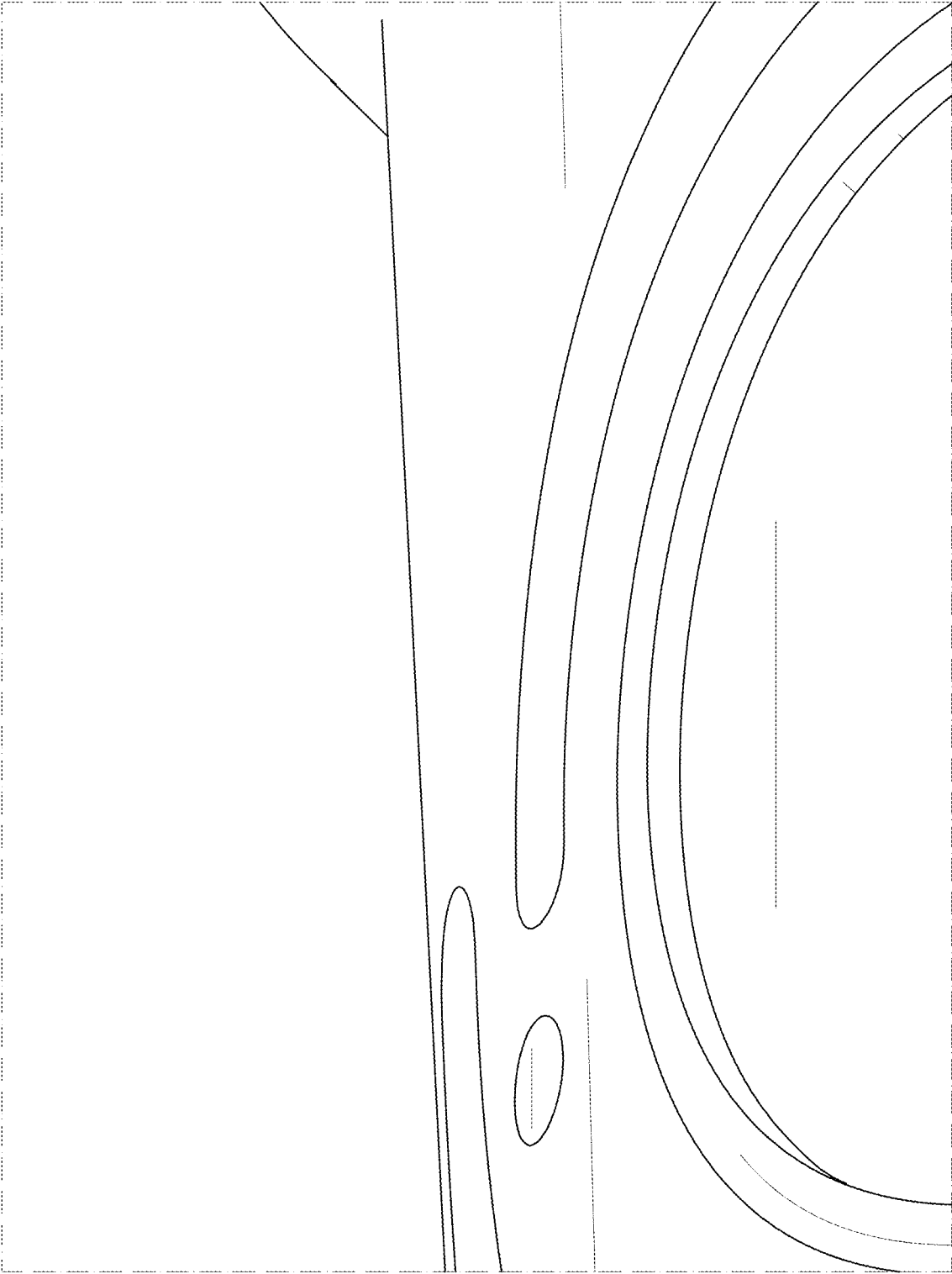
FIG.9



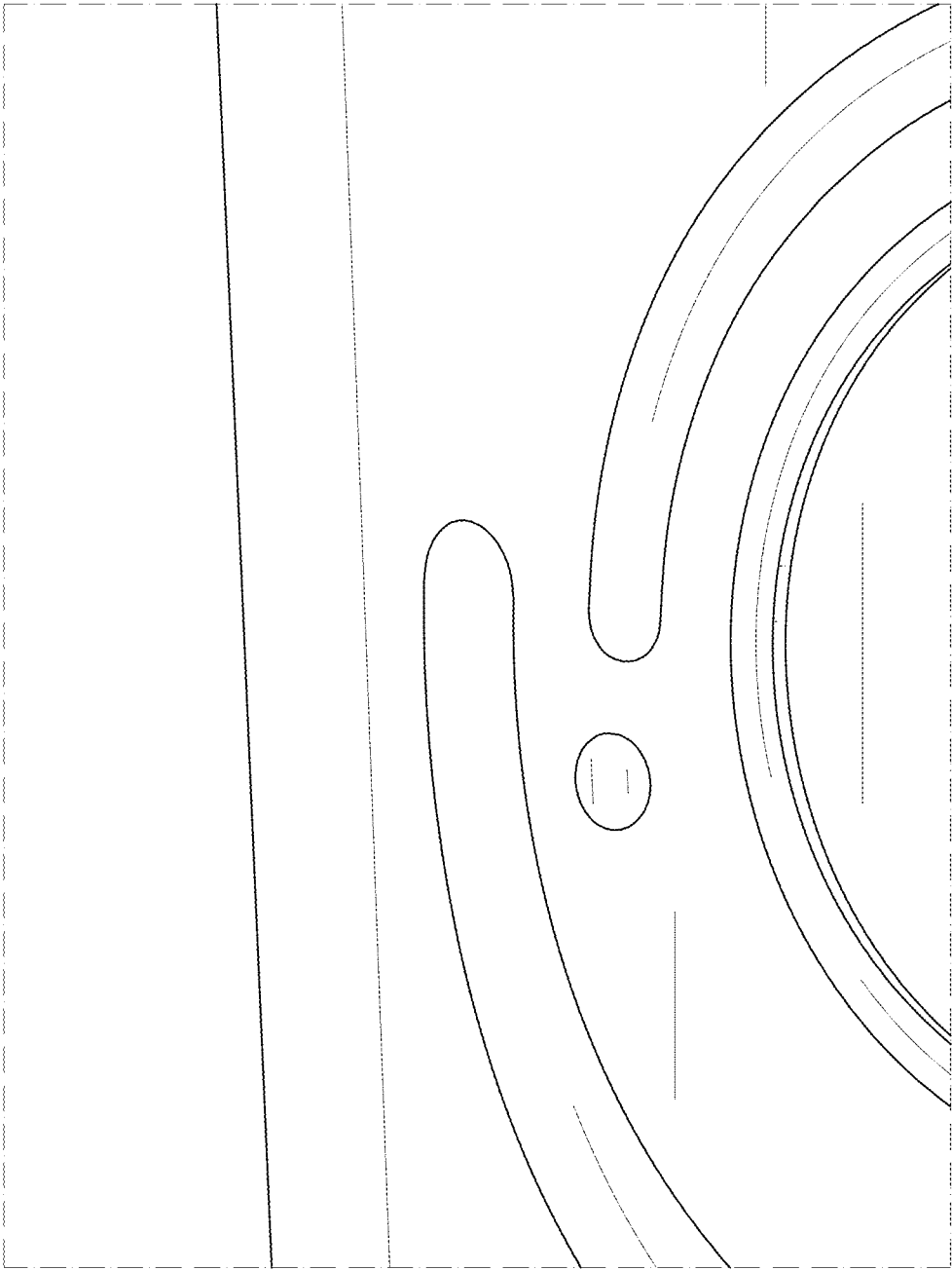
**FIG. 10**



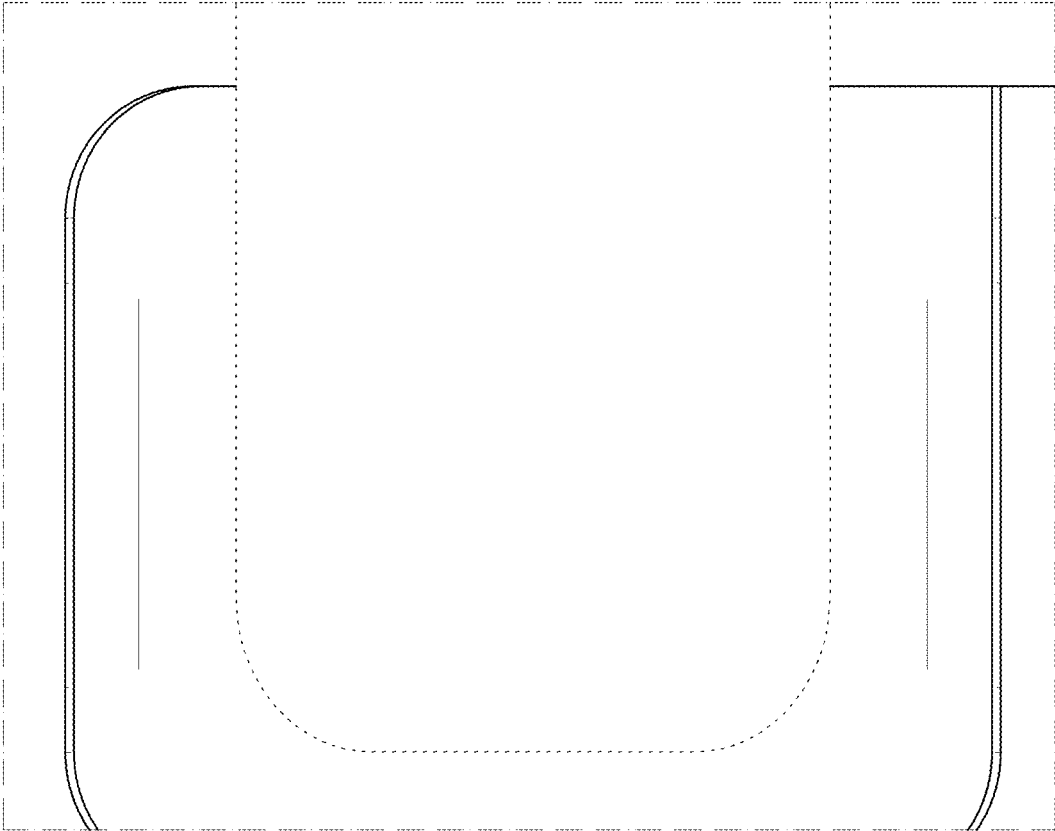
**FIG. 11**



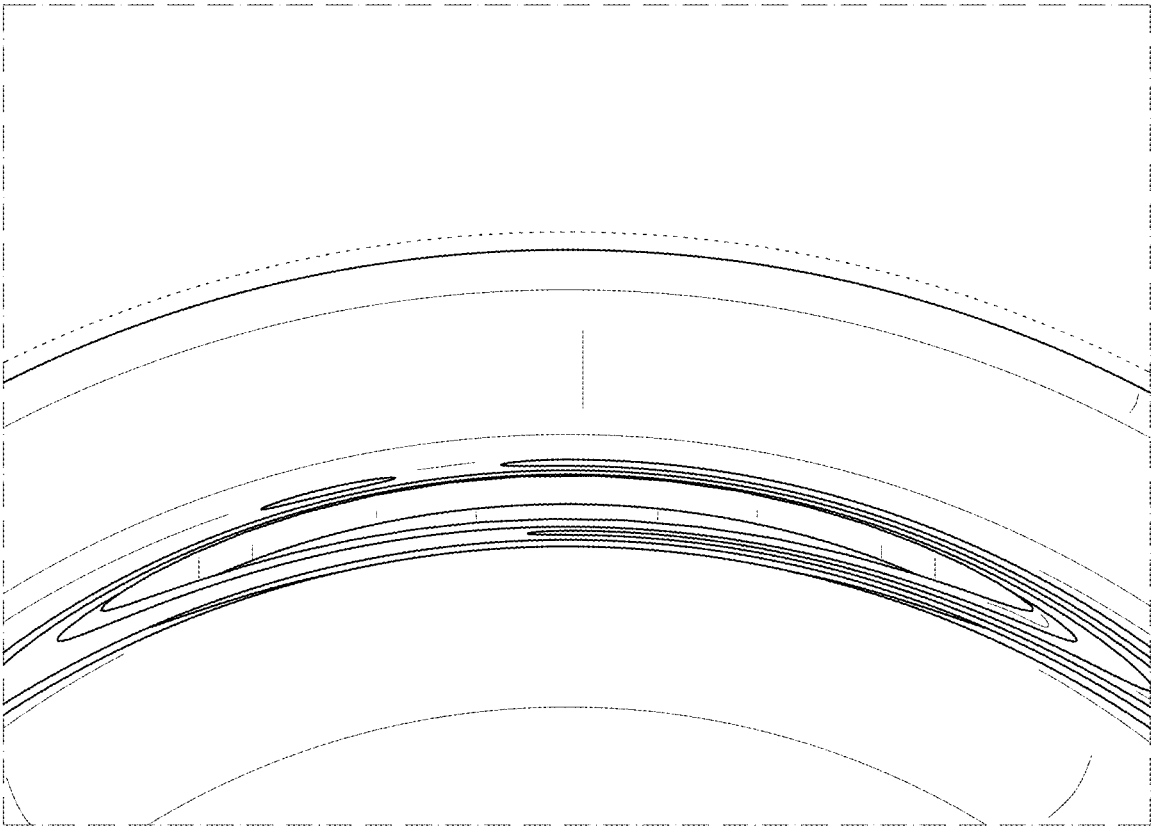
**FIG. 12**



*FIG. 13*



*FIG.14*



*FIG. 15*