

(19) World Intellectual Property Organization
International Bureau



(43) International Publication Date
26 May 2006 (26.05.2006)

PCT

(10) International Publication Number
WO 2006/055497 A3

- (51) International Patent Classification:
G06F 13/40 (2006.01) *G11C 7/00* (2006.01)
G11C 5/06 (2006.01)
- (21) International Application Number:
PCT/US2005/041199
- (22) International Filing Date:
10 November 2005 (10.11.2005)
- (25) Filing Language: English
- (26) Publication Language: English
- (30) Priority Data:
10/992,953 18 November 2004 (18.11.2004) US
- (71) Applicant (for all designated States except US): INTEL CORPORATION [US/US]; 2200 Mission College Boulevard, Santa Clara, CA 95052 (US).
- (72) Inventor; and
- (75) Inventor/Applicant (for US only): BAINS, Kuljit [IN/US]; 9146 52nd Lane NE, Olympia, WA 98516 (US).
- (74) Agents: VINCENT, Lester et al.; Blakely Sokoloff Taylor & Zafman, 12400 Wilshire Boulevard, 7th Floor, Los Angeles, California 90025 (US).
- (81) Designated States (unless otherwise indicated, for every kind of national protection available): AE, AG, AL, AM,

AT, AU, AZ, BA, BB, BG, BR, BW, BY, BZ, CA, CH, CN, CO, CR, CU, CZ, DE, DK, DM, DZ, EC, EE, EG, ES, FI, GB, GD, GE, GH, GM, HR, HU, ID, IL, IN, IS, JP, KE, KG, KM, KN, KP, KR, KZ, LC, LK, LR, LS, LT, LU, LV, LY, MA, MD, MG, MK, MN, MW, MX, MZ, NA, NG, NI, NO, NZ, OM, PG, PH, PL, PT, RO, RU, SC, SD, SE, SG, SK, SL, SM, SY, TJ, TM, TN, TR, TT, TZ, UA, UG, US, UZ, VC, VN, YU, ZA, ZM, ZW.

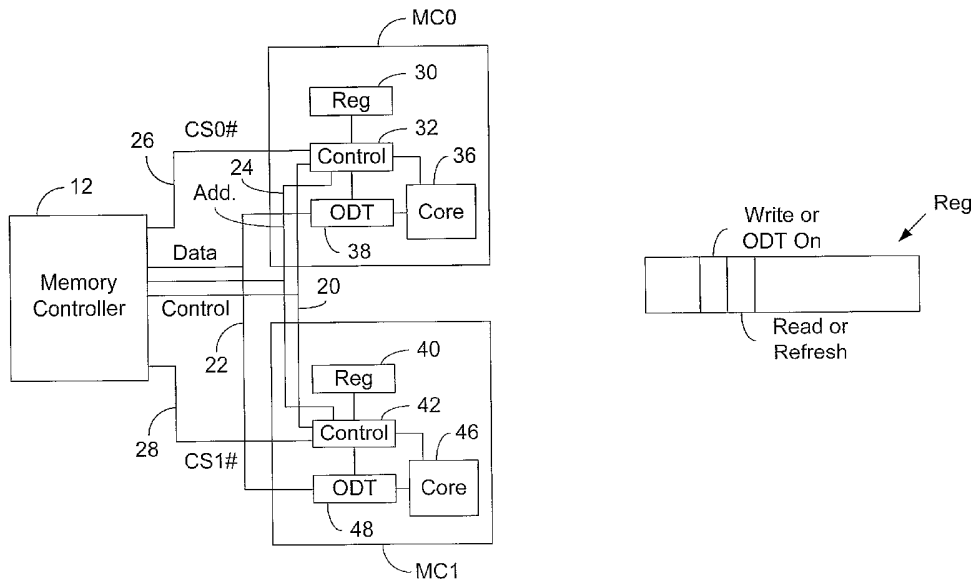
(84) Designated States (unless otherwise indicated, for every kind of regional protection available): ARIPO (BW, GH, GM, KE, LS, MW, MZ, NA, SD, SL, SZ, TZ, UG, ZM, ZW), Eurasian (AM, AZ, BY, KG, KZ, MD, RU, TJ, TM), European (AT, BE, BG, CH, CY, CZ, DE, DK, EE, ES, FI, FR, GB, GR, HU, IE, IS, IT, LT, LU, LV, MC, NL, PL, PT, RO, SE, SI, SK, TR), OAPI (BF, BJ, CF, CG, CI, CM, GA, GN, GQ, GW, ML, MR, NE, SN, TD, TG).

Published:
— with international search report
— before the expiration of the time limit for amending the claims and to be republished in the event of receipt of amendments

(88) Date of publication of the international search report:
13 July 2006

[Continued on next page]

(54) Title: COMMAND CONTROLLING DIFFERENT OPERATIONS IN DIFFERENT CHIPS



(57) Abstract: Abstract of the Disclosure In some embodiments, the invention includes a chip having a register to include an operation type signal. The chip also includes control circuitry to receive a first command and in response to the first command to cause the chip to perform a first operation if the operation type signal has a first value and to cause the chip to perform a second operation if the operation type signal has a second value. The chip may be a memory chip in a memory system. Other embodiments are described and claimed.

WO 2006/055497 A3



For two-letter codes and other abbreviations, refer to the "Guidance Notes on Codes and Abbreviations" appearing at the beginning of each regular issue of the PCT Gazette.

INTERNATIONAL SEARCH REPORT

International application No
PCT/US2005/041199

A. CLASSIFICATION OF SUBJECT MATTER
 INV. G06F13/40 G11C5/06 G11C7/00

According to International Patent Classification (IPC) or to both national classification and IPC

B. FIELDS SEARCHED
 Minimum documentation searched (classification system followed by classification symbols)
 G06F G11C

Documentation searched other than minimum documentation to the extent that such documents are included in the fields searched

Electronic data base consulted during the international search (name of data base and, where practical, search terms used)
 EPO-Internal

C. DOCUMENTS CONSIDERED TO BE RELEVANT

Category*	Citation of document, with indication, where appropriate, of the relevant passages	Relevant to claim No.
X	US 2004/098528 A1 (JANZEN JEFFERY W) 20 May 2004 (2004-05-20) figures 4,5,8,11 paragraphs [0025] - [0031], [0039] - [0053]	1-18, 21-27
X	US 2003/142577 A1 (KUMAZAKI NORIYASU ET AL) 31 July 2003 (2003-07-31) paragraph [0031] - paragraph [0044]; figure 1	1,4,8, 11,14,16
X	US 6 438 055 B1 (TAGUCHI MASAO ET AL) 20 August 2002 (2002-08-20) column 13, line 40 - column 16, line 32; figures 15-17	14,19,20
	----- -/--	

Further documents are listed in the continuation of Box C. See patent family annex.

* Special categories of cited documents:

"A" document defining the general state of the art which is not considered to be of particular relevance	"T" later document published after the international filing date or priority date and not in conflict with the application but cited to understand the principle or theory underlying the invention
"E" earlier document but published on or after the international filing date	"X" document of particular relevance; the claimed invention cannot be considered novel or cannot be considered to involve an inventive step when the document is taken alone
"L" document which may throw doubts on priority claim(s) or which is cited to establish the publication date of another citation or other special reason (as specified)	"Y" document of particular relevance; the claimed invention cannot be considered to involve an inventive step when the document is combined with one or more other such documents, such combination being obvious to a person skilled in the art.
"O" document referring to an oral disclosure, use, exhibition or other means	"&" document member of the same patent family
"P" document published prior to the international filing date but later than the priority date claimed	

Date of the actual completion of the international search 24 April 2006	Date of mailing of the international search report 04/05/2006
---	---

Name and mailing address of the ISA European Patent Office, P.B. 5818 Patentlaan 2 NL - 2280 HV Rijswijk Tel. (+31-70) 340-2040, Tx. 31 651 epo nl, Fax: (+31-70) 340-3016	Authorized officer Stocken, C
--	---

INTERNATIONAL SEARCH REPORT

International application No
PCT/US2005/041199

C(Continuation). DOCUMENTS CONSIDERED TO BE RELEVANT		
Category	Citation of document, with indication, where appropriate, of the relevant passages	Relevant to claim No.
X	US 2003/021137 A1 (JOHNSON BRET ET AL) 30 January 2003 (2003-01-30) the whole document -----	1,5,8,14
X	US 2003/126338 A1 (DODD JAMES M ET AL) 3 July 2003 (2003-07-03) figures 4-6 paragraphs [0017], [0026], [0032] - [0040] -----	1,5,8,14

INTERNATIONAL SEARCH REPORT

information on patent family members

International application No

PCT/US2005/041199

Patent document cited in search report	Publication date	Patent family member(s)	Publication date
US 2004098528 A1	20-05-2004	AU 2003290760 A1	15-06-2004
		EP 1576482 A2	21-09-2005
		WO 2004046940 A2	03-06-2004
		US 2005286317 A1	29-12-2005
		US 2005286318 A1	29-12-2005
		US 2005286311 A1	29-12-2005
		US 2006002201 A1	05-01-2006
		US 2005286319 A1	29-12-2005
		US 2006050597 A1	09-03-2006
US 2003142577 A1	31-07-2003	CN 1435843 A	13-08-2003
		JP 2003297095 A	17-10-2003
US 6438055 B1	20-08-2002	JP 2001118383 A	27-04-2001
		TW 501134 B	01-09-2002
US 2003021137 A1	30-01-2003	DE 10136853 A1	20-02-2003
US 2003126338 A1	03-07-2003	NONE	