



(12) **United States Design Patent**  
**Anderson et al.**

(10) **Patent No.:** **US D915,579 S**  
(45) **Date of Patent:** **\*\* Apr. 6, 2021**

- (54) **DOUBLE BARREL DOSER**
- (71) Applicant: **Mark L. Anderson**, Spring Valley, WI (US)
- (72) Inventors: **Mark L. Anderson**, Spring Valley, WI (US); **Jim L. Wait**, Spring Valley, WI (US)
- (73) Assignee: **Mark L. Anderson**, Spring Valley, WI (US)
- (\*\*) Term: **15 Years**
- (21) Appl. No.: **29/649,932**
- (22) Filed: **Jun. 4, 2018**
- (51) **LOC (13) Cl.** ..... **24-02**
- (52) **U.S. Cl.**  
USPC ..... **D24/113; D24/114**
- (58) **Field of Classification Search**  
USPC ..... D24/111-114, 146, 129, 130, 141; D30/199  
CPC ..... A61M 5/19; A61M 5/31595; A61M 5/31581; A61D 1/00; F15C 1/00  
See application file for complete search history.

D523,553	S	*	6/2006	Beck	.....	D24/111
D536,783	S	*	2/2007	Cise	.....	D24/111
D578,209	S	*	10/2008	Schurg	.....	D24/111
D618,338	S	*	6/2010	Fujioka	.....	D24/113
D640,368	S	*	6/2011	Fujioka	.....	D24/113
D768,848	S	*	10/2016	Cooper	.....	D24/113
D783,815	S	*	4/2017	Lewis	.....	D24/129
D829,888	S	*	10/2018	Xie	.....	D24/112
2002/0049415	A1	*	4/2002	Fukuda	.....	A61M 5/1456 604/191

(Continued)

**OTHER PUBLICATIONS**

Syringe pump with double-barreled, publication date Aug. 27, 2018, [online][site visited Oct. 22, 2020] URL: <http://www.livestocktool.com/product/veterinary-instruments/automatic-continuous-syringe/syringe-pump-with-double-barreled.html> (Year: 2018).\*

(Continued)

*Primary Examiner* — L. A. Grabenstetter  
(74) *Attorney, Agent, or Firm* — Joel Skinner; Skinner & Associates

(57) **CLAIM**

The ornamental design for a double barrel doser, as shown and described.

**DESCRIPTION**

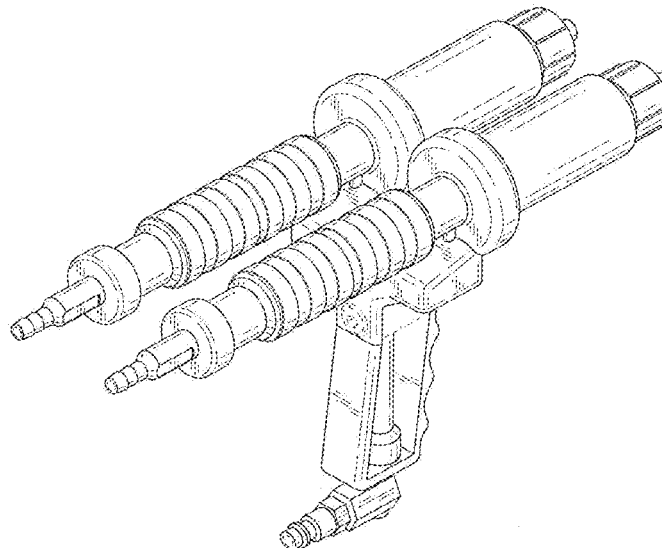
FIG. 1 is a front perspective view of a double barrel doser showing the design of the invention.  
FIG. 2 is a back perspective view thereof.  
FIG. 3 is a side view thereof, the opposite side being a mirror image.  
FIG. 4 is a top view thereof.  
FIG. 5 is a bottom view thereof; and,  
FIG. 6 is a front view thereof.  
The broken line showing of structural features illustrate portions of the double barrel doser that form no part of the claimed design.

**1 Claim, 6 Drawing Sheets**

(56) **References Cited**

**U.S. PATENT DOCUMENTS**

2,393,576	A	*	1/1946	Thomas	.....	A61M 5/204 604/181
3,467,096	A	*	9/1969	Horn	.....	A61M 5/46 604/173
3,552,394	A	*	1/1971	Horn	.....	A61M 5/19 604/173
D246,187	S	*	10/1977	DeArment	.....	D24/114
4,673,395	A	*	6/1987	Phillips	.....	A61M 5/31551 604/191
D304,616	S	*	11/1989	Dunlap	.....	D24/112
D408,531	S	*	4/1999	King	.....	D24/114
D409,304	S	*	5/1999	King	.....	D24/112
D416,087	S	*	11/1999	King	.....	D24/113



(56)

**References Cited**

U.S. PATENT DOCUMENTS

2002/0082563 A1\* 6/2002 Petersen ..... A61M 5/31581  
604/191  
2008/0154209 A1\* 6/2008 Fojtik ..... A61M 3/0233  
604/191  
2009/0264831 A1\* 10/2009 Thompson ..... A61B 17/00491  
604/191  
2010/0108166 A1\* 5/2010 Anderson ..... F16L 27/087  
137/803  
2014/0330206 A1\* 11/2014 Moore ..... A61M 5/14216  
604/152  
2016/0263321 A1\* 9/2016 Eisele ..... A61M 5/19  
2018/0361065 A1\* 12/2018 Trezza ..... A61M 5/3295

OTHER PUBLICATIONS

Double-Barreled Continuous Syringe, publication date Apr. 5, 2019,  
[online][site visited Oct. 22, 2020] URL: <http://www.levah.com/Agriculture/Veterinary-Continuous-Syringe/Double-Barreled-Continuous-Syringe-VC290128.html> (Year: 2019).\*

\* cited by examiner

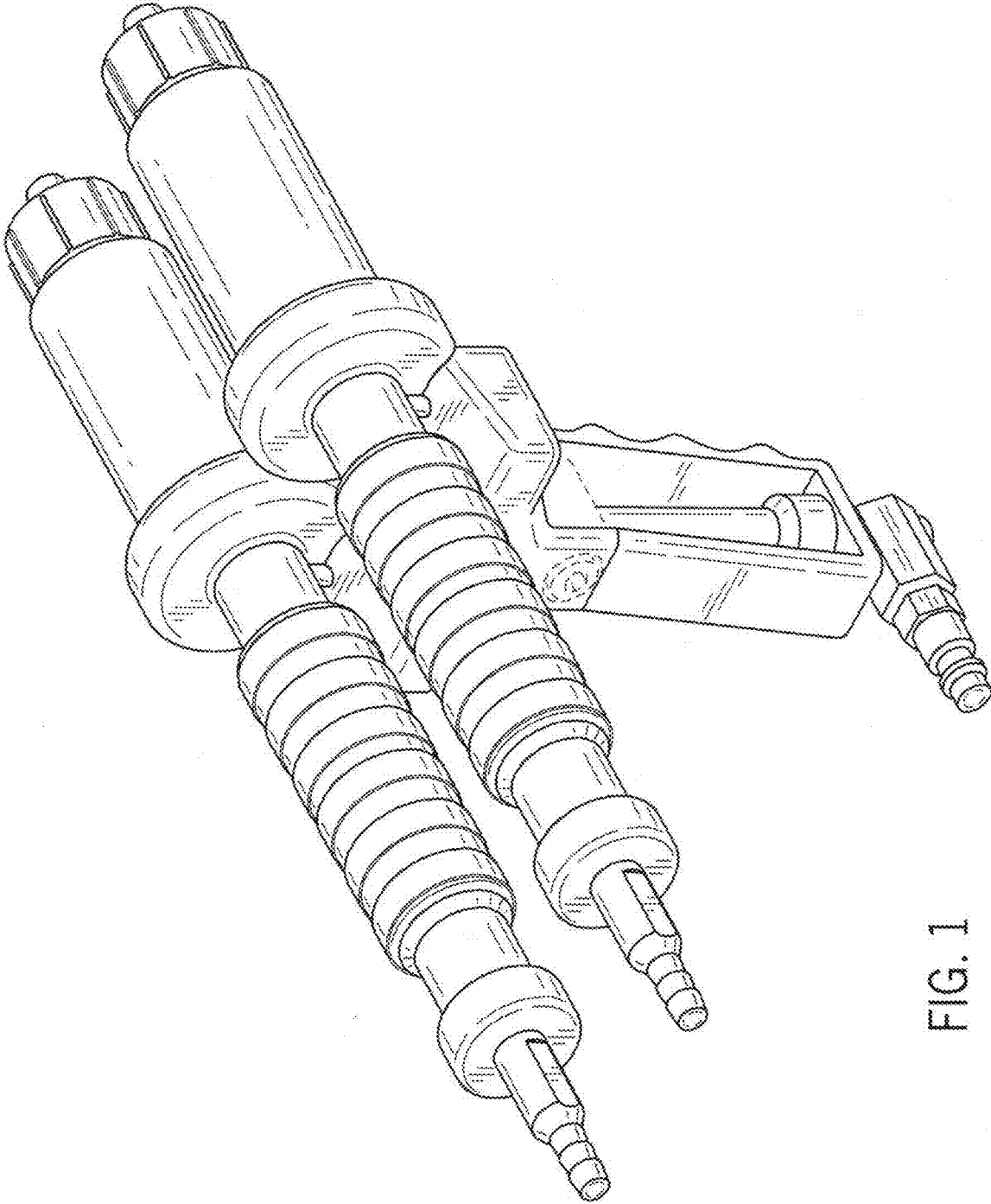


FIG. 1

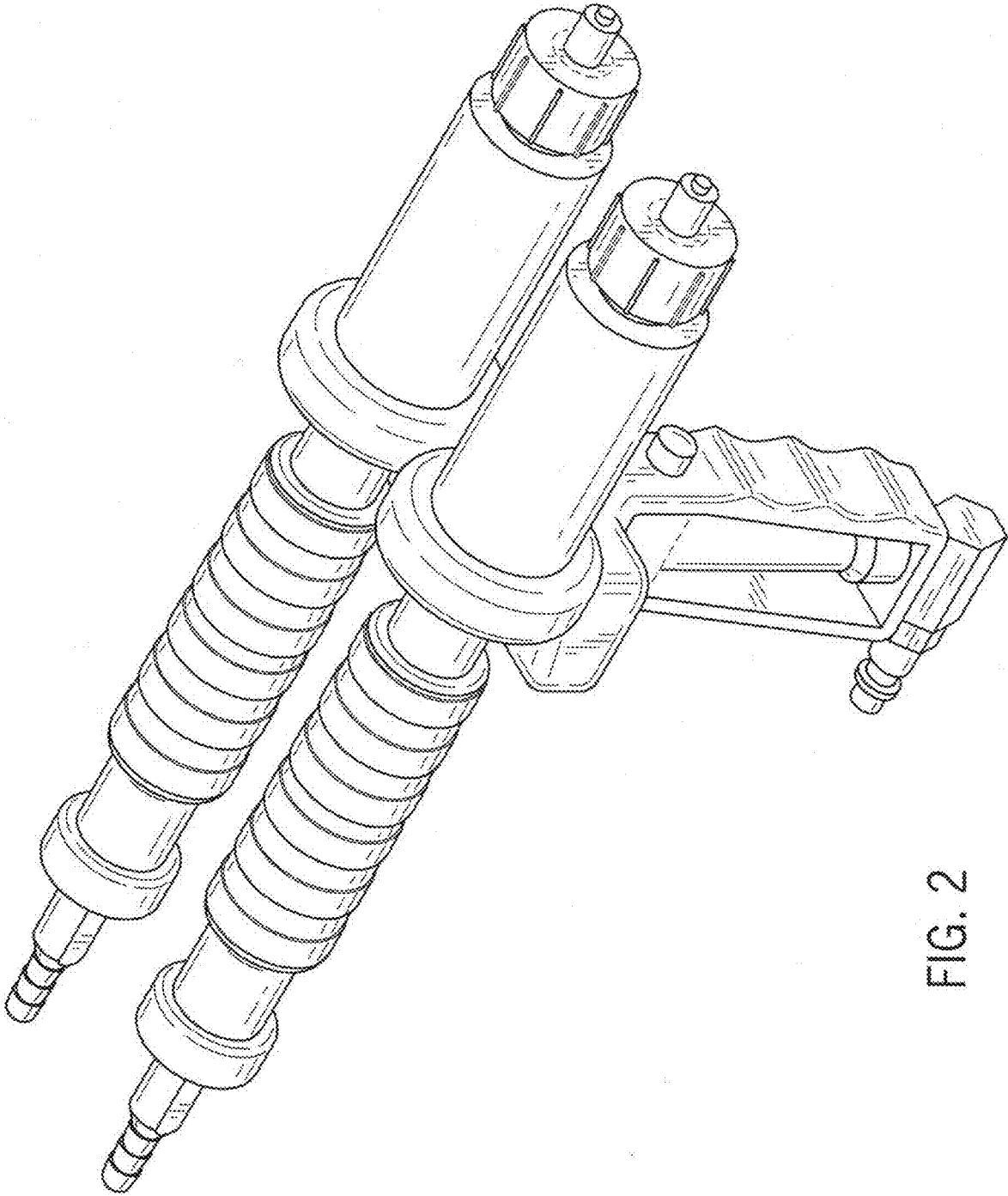


FIG. 2

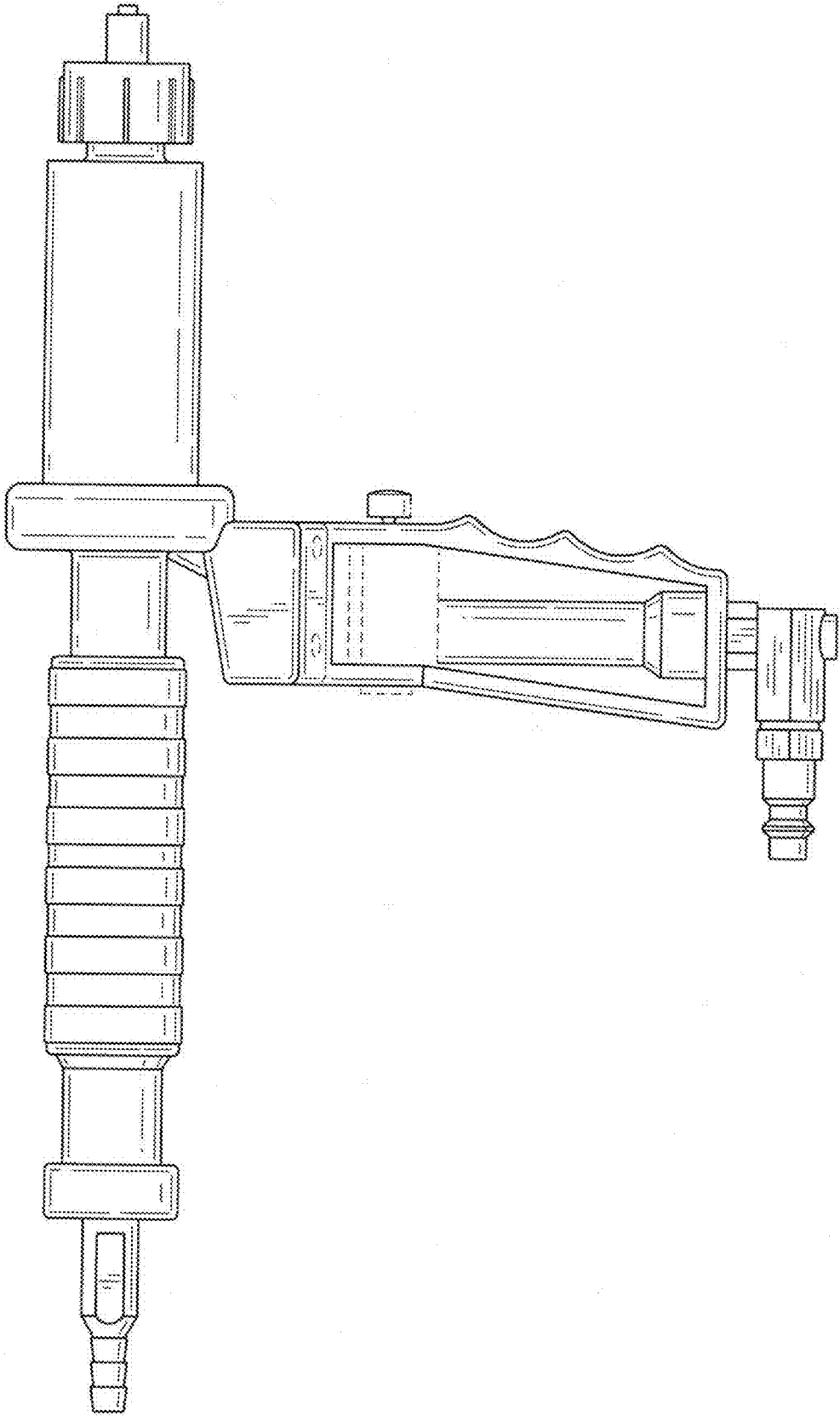


FIG. 3

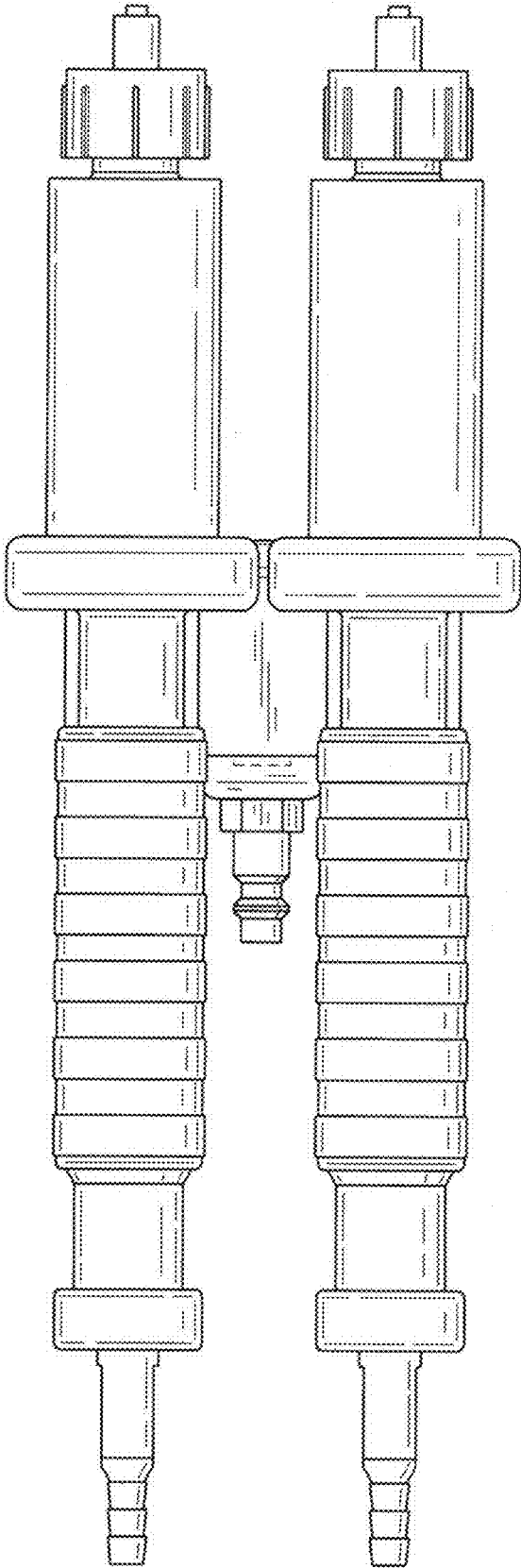


FIG. 4

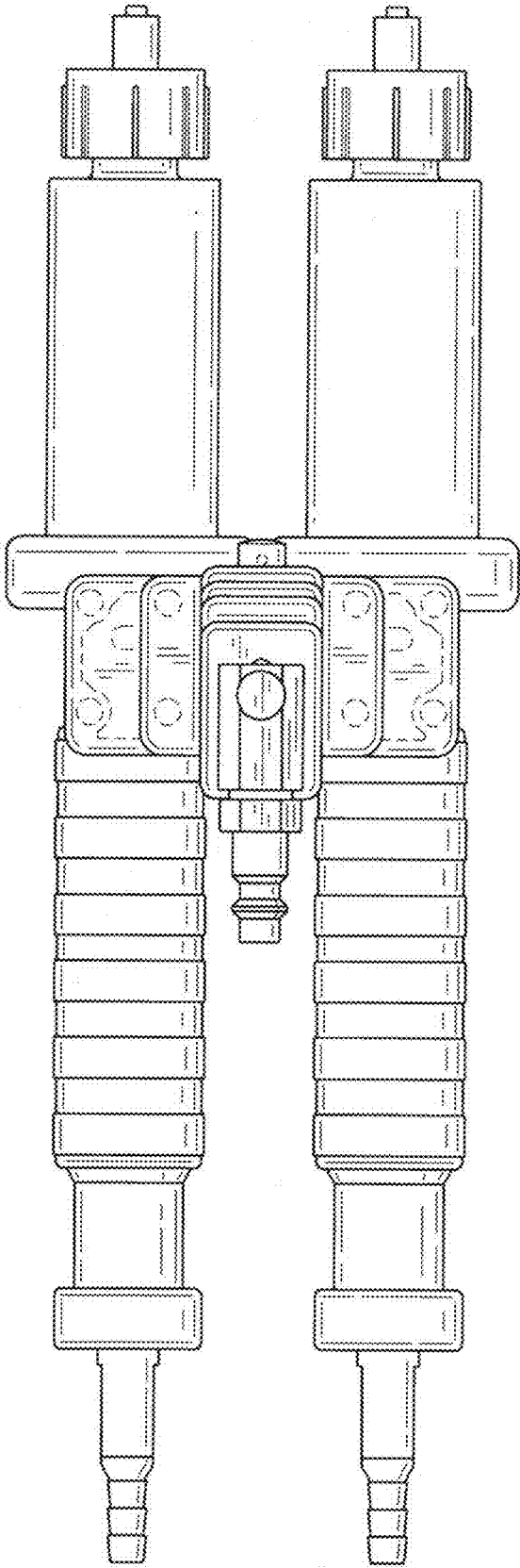


FIG. 5

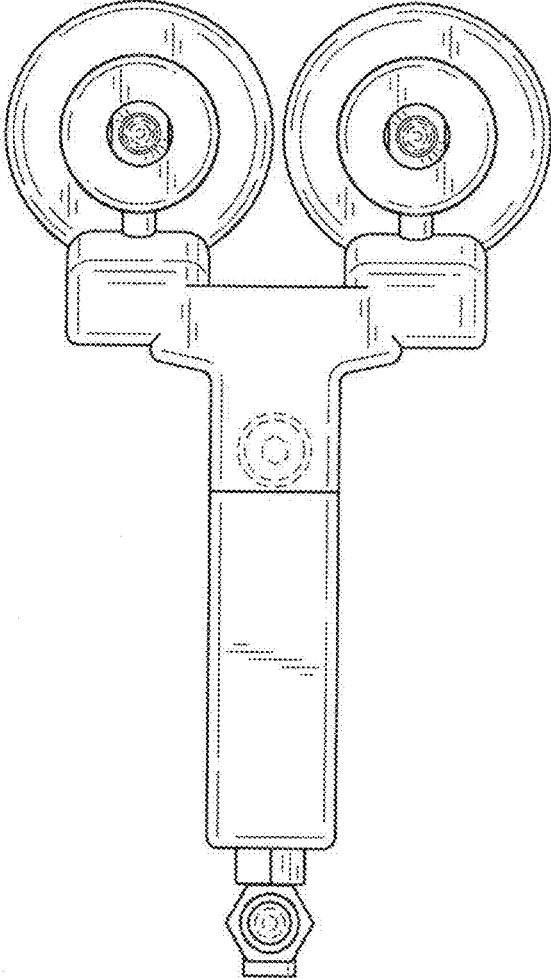


FIG. 6