

(19) World Intellectual Property Organization  
International Bureau



(43) International Publication Date  
9 February 2006 (09.02.2006)

PCT

(10) International Publication Number  
WO 2006/014617 A3

(51) International Patent Classification:

F16H 15/48 (2006.01) F16H 57/08 (2006.01)  
F16H 13/14 (2006.01)

(21) International Application Number:

PCT/US2005/025539

(22) International Filing Date: 19 July 2005 (19.07.2005)

(25) Filing Language: English

(26) Publication Language: English

(30) Priority Data:

60/590,166 21 July 2004 (21.07.2004) US

(71) Applicant (for all designated States except US): FALL-BROOK TECHNOLOGIES, INC. [US/US]; 9444 Waples Street, Suite 410, San Diego, CA 92121 (US).

(72) Inventors; and

(75) Inventors/Applicants (for US only): MILLER, Donald, C. [US/US]; 2018 Winterwarm Road, Fallbrook, CA 92028 (US). SMITHSON, Robert, A. [US/US]; 2408 Powderham Lane, Cedar Park, TX 78613 (US).

(74) Agent: HART, Daniel; Knobbe Martens Olson & Bear LLP, 2040 Main Street, 14th Floor, Irvine, CA 92614 (US).

(81) Designated States (unless otherwise indicated, for every kind of national protection available): AE, AG, AL, AM,

AT, AU, AZ, BA, BB, BG, BR, BW, BY, BZ, CA, CH, CN, CO, CR, CU, CZ, DE, DK, DM, DZ, EC, EE, EG, ES, FI, GB, GD, GE, GH, GM, HR, HU, ID, IL, IN, IS, JP, KE, KG, KM, KP, KR, KZ, LC, LK, LR, LS, LT, LU, LV, MA, MD, MG, MK, MN, MW, MX, MZ, NA, NG, NI, NO, NZ, OM, PG, PH, PL, PT, RO, RU, SC, SD, SE, SG, SK, SL, SM, SY, TJ, TM, TN, TR, TT, TZ, UA, UG, US, UZ, VC, VN, YU, ZA, ZM, ZW.

(84) Designated States (unless otherwise indicated, for every kind of regional protection available): ARIPO (BW, GH, GM, KE, LS, MW, MZ, NA, SD, SL, SZ, TZ, UG, ZM, ZW), Eurasian (AM, AZ, BY, KG, KZ, MD, RU, TJ, TM), European (AT, BE, BG, CH, CY, CZ, DE, DK, EE, ES, FI, FR, GB, GR, HU, IE, IS, IT, LT, LU, LV, MC, NL, PL, PT, RO, SE, SI, SK, TR), OAPI (BF, BJ, CF, CG, CI, CM, GA, GN, GQ, GW, ML, MR, NE, SN, TD, TG).

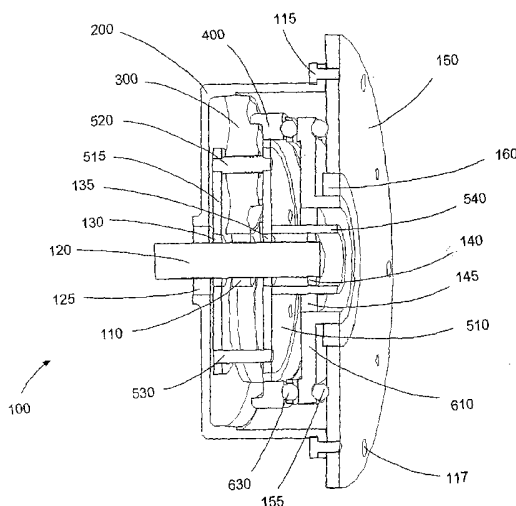
Published:

- with international search report
- before the expiration of the time limit for amending the claims and to be republished in the event of receipt of amendments

(88) Date of publication of the international search report: 27 July 2006

For two-letter codes and other abbreviations, refer to the "Guidance Notes on Codes and Abbreviations" appearing at the beginning of each regular issue of the PCT Gazette.

(54) Title: ROLLING TRACTION PLANETARY DRIVE



(57) Abstract: A traction-drive system that in one embodiment comprises an idler (110) rotatable about a longitudinal axis, a plurality of rotatable and generally disc-shaped planet rollers (300) each having an inner contact surface (310), a case contact surface (315) and an idler contact surface (320), the inner contact surface being of a first diameter, the case contact surface being a second diameter and the idler contact surface being of a third diameter, the planet rollers distributed about the idler and each planet roller contacting the idler at its respective idler contact surface. The traction drive system of this embodiment also comprises an inner ring (400) rotatable about the longitudinal axis adapted to contact the case contact surface of each of the planet rollers. In some embodiments, the inner contact surface of each roller only contacts the inner ring, the case contact surface of each roller only contacts the case ring and the idler contact surface of each roller only contacts the idler.

WO 2006/014617 A3

# INTERNATIONAL SEARCH REPORT

International application No.

PCT/US05/25539

**A. CLASSIFICATION OF SUBJECT MATTER**

IPC: F16H 15/48( 2006.01),13/14( 2006.01),57/08( 2006.01)

USPC: 475/186,195,335,344

According to International Patent Classification (IPC) or to both national classification and IPC

**B. FIELDS SEARCHED**

Minimum documentation searched (classification system followed by classification symbols)

U.S. : 475/186, 195, 335, 344, 180, 183-185, 331

Documentation searched other than minimum documentation to the extent that such documents are included in the fields searched

Electronic data base consulted during the international search (name of data base and, where practicable, search terms used)  
Please See Continuation Sheet

**C. DOCUMENTS CONSIDERED TO BE RELEVANT**

Category *	Citation of document, with indication, where appropriate, of the relevant passages	Relevant to claim No.
X	US 5,037,361 A (Takahashi) 06 August 1991 (06.08.1991), Figure 1	1-9, 13, 15 and 16
A	US 6,406,399 B1 (Ai) 18 June 2002 (18.06.2002), Figure 1	1 and 15
A	US 6,095,940 A (Ai et al) 01 August 2000 (01.08.2000), Figure 1	1 and 15
A	JP 11063130 A (Iida et al) 05 March 1999 (05.03.1999), all Figures	1-9, 13, 15 and 16

Further documents are listed in the continuation of Box C.

See patent family annex.

\* Special categories of cited documents:

"A" document defining the general state of the art which is not considered to be of particular relevance

"E" earlier application or patent published on or after the international filing date

"L" document which may throw doubts on priority claim(s) or which is cited to establish the publication date of another citation or other special reason (as specified)

"O" document referring to an oral disclosure, use, exhibition or other means

"P" document published prior to the international filing date but later than the priority date claimed

"T" later document published after the international filing date or priority date and not in conflict with the application but cited to understand the principle or theory underlying the invention

"X" document of particular relevance; the claimed invention cannot be considered novel or cannot be considered to involve an inventive step when the document is taken alone

"Y" document of particular relevance; the claimed invention cannot be considered to involve an inventive step when the document is combined with one or more other such documents, such combination being obvious to a person skilled in the art

"&" document member of the same patent family

Date of the actual completion of the international search

16 April 2006 (16.04.2006)

Date of mailing of the international search report

08 JUN 2006

Name and mailing address of the ISA/US

Mail Stop PCT, Attn: ISA/US  
Commissioner for Patents  
P.O. Box 1450  
Alexandria, Virginia 22313-1450

Facsimile No. (571) 273-3201

Authorized officer

Tisha D. Lewis

Telephone No. 571-272-7093

**INTERNATIONAL SEARCH REPORT**

International application No.  
PCT/US05/25539

Continuation of B. FIELDS SEARCHED Item 3:  
PLUS, Google, NPL  
search terms: traction transmission or gearbox