



US00D628409S

(12) **United States Design Patent**  
**Anzai**

(10) **Patent No.:** **US D628,409 S**

(45) **Date of Patent:** **\*\* Dec. 7, 2010**

(54) **HINGE FOR FURNITURE**

(75) Inventor: **Tadashi Anzai**, Tokyo (JP)

(73) Assignee: **Sugatsune Kogyo Co., Ltd.**, Tokyo (JP)

(\*\*) Term: **14 Years**

(21) Appl. No.: **29/314,977**

(22) Filed: **May 14, 2009**

(30) **Foreign Application Priority Data**

Nov. 18, 2008 (JP) ..... 2008-029499

(51) **LOC (9) Cl.** ..... **06-04**

(52) **U.S. Cl.** ..... **D6/491**

(58) **Field of Classification Search** ..... D6/491,  
D6/492, 509-511; D8/51, 354, 382, 394,  
D8/323-328; 312/326, 223.3, 334.4-334.5;  
211/174, 207-208; 108/158.11-158.12,  
108/29, 144.11; 16/221, 231, 243, 247-248,  
16/374

See application file for complete search history.

(56) **References Cited**

**U.S. PATENT DOCUMENTS**

2,637,910	A	*	5/1953	Buttram	.....	33/197
3,738,013	A	*	6/1973	Gregory	.....	33/197
D256,372	S	*	8/1980	Chu	.....	D19/42
D262,188	S	*	12/1981	Thompson	.....	D8/329
D269,187	S	*	5/1983	Petersen	.....	D19/32
4,400,886	A	*	8/1983	Bindschatel	.....	33/197
D282,626	S	*	2/1986	Zelli	.....	D8/71
D301,745	S	*	6/1989	Burkstrand et al.	.....	D25/119
D306,250	S	*	2/1990	Kyrklund	.....	D8/70
D335,089	S	*	4/1993	Grubelnik	.....	D10/64
D368,398	S	*	4/1996	Nahar	.....	D6/491
D399,725	S	*	10/1998	Baker	.....	D8/354
D411,434	S	*	6/1999	Russell	.....	D8/323
D425,734	S	*	5/2000	Bauer	.....	D6/491

D426,089	S	*	6/2000	Vlah	.....	D6/491
D428,285	S	*	7/2000	Hughes et al.	.....	D6/510
6,389,644	B1	*	5/2002	Russo	.....	16/382
D470,689	S	*	2/2003	High	.....	D6/492
D478,271	S	*	8/2003	McCoy et al.	.....	D8/376
D520,498	S	*	5/2006	Lin et al.	.....	D14/230
D541,623	S	*	5/2007	Hord et al.	.....	D8/323
D578,871	S	*	10/2008	Rogers	.....	D8/376
D604,065	S	*	11/2009	Towater et al.	.....	D6/491
D607,709	S	*	1/2010	Mizon	.....	D8/328
D617,255	S	*	6/2010	Tezak et al.	.....	D12/400

\* cited by examiner

*Primary Examiner*—Caron Veynar

*Assistant Examiner*—Kelley A Donnelly

(74) *Attorney, Agent, or Firm*—Osha Liang LLP

(57) **CLAIM**

The ornamental design for a hinge for furniture, as shown and described.

**DESCRIPTION**

FIG. 1 is a perspective view of the front, right and top plan of a hinge for furniture showing my new design;

FIG. 2 is a front view thereof;

FIG. 3 is a rear view thereof;

FIG. 4 is a top plan view, bottom view being a mirror image thereof;

FIG. 5 is a right side view, left side view being a mirror image thereof;

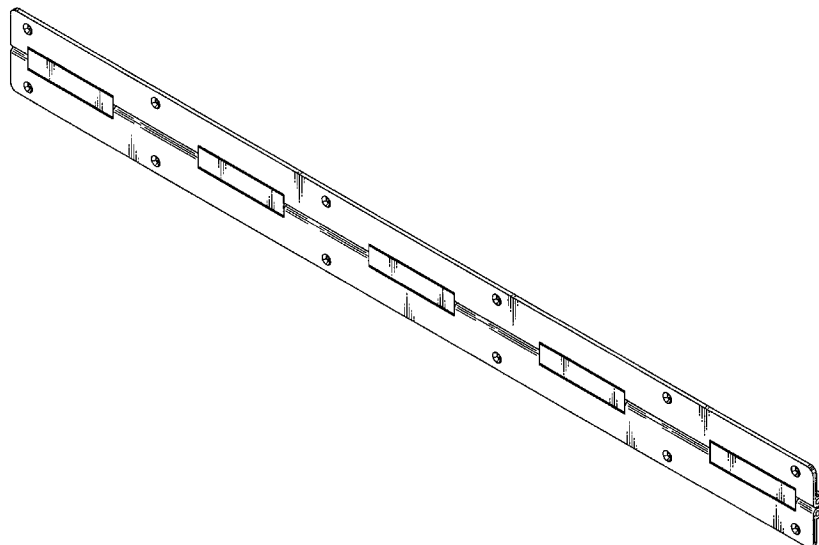
FIG. 6 is a partially enlarged view at 6—6 at FIG. 2 thereof;

FIG. 7 is a partially enlarged view at 7—7 at FIG. 3 thereof;

FIG. 8 is a partially enlarged view at 8—8 at FIG. 4 thereof; and,

FIG. 9 is an enlarged right side view thereof.

**1 Claim, 5 Drawing Sheets**



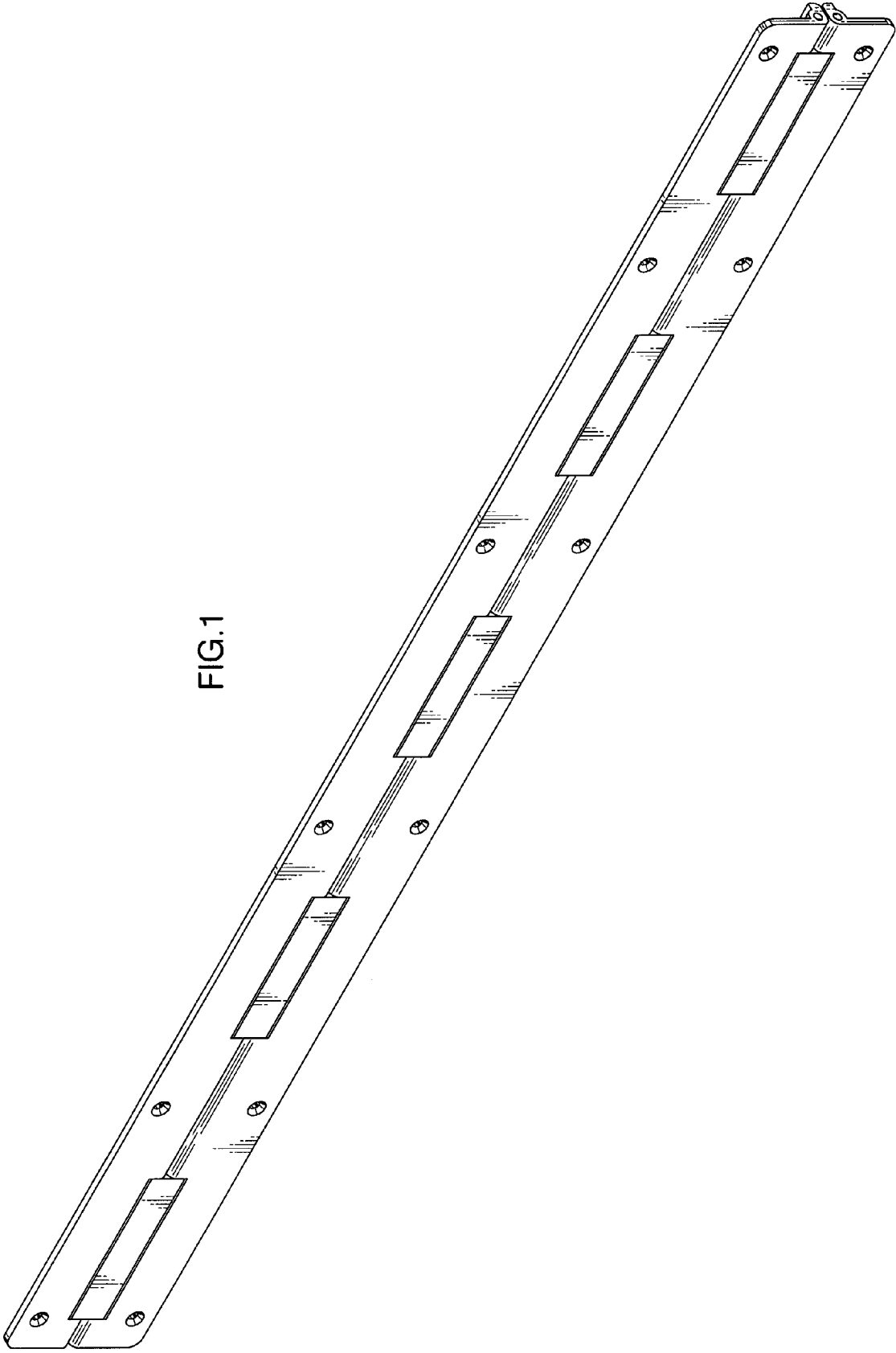


FIG.1

FIG.2

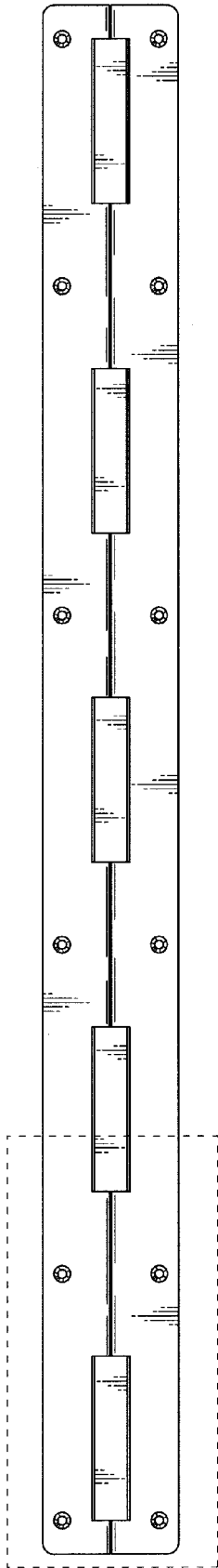


FIG.3

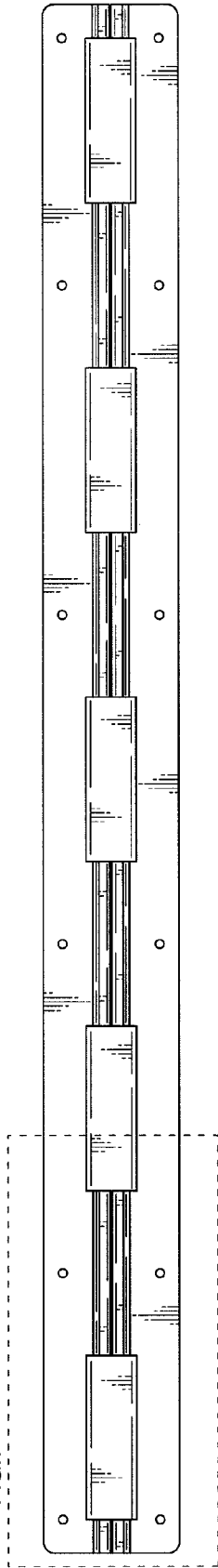


FIG.4

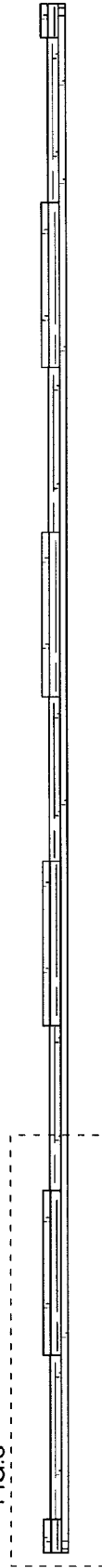


FIG.6

FIG.7

FIG.8

FIG.5

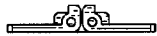


FIG.6

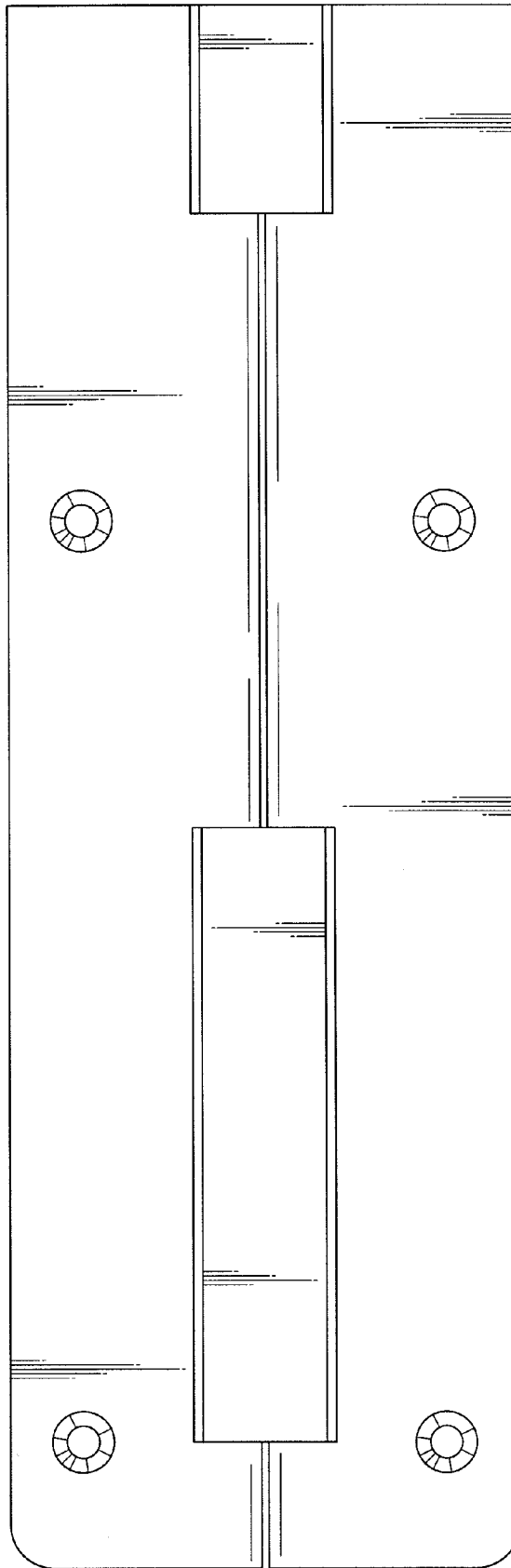


FIG.7

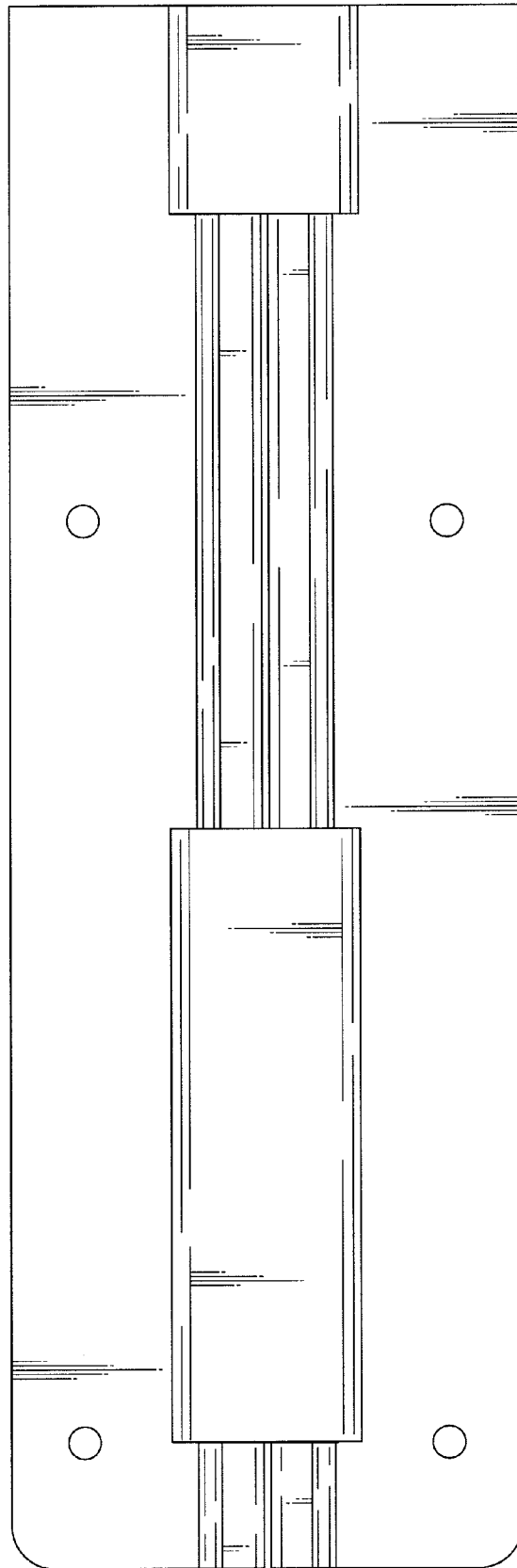


FIG.8

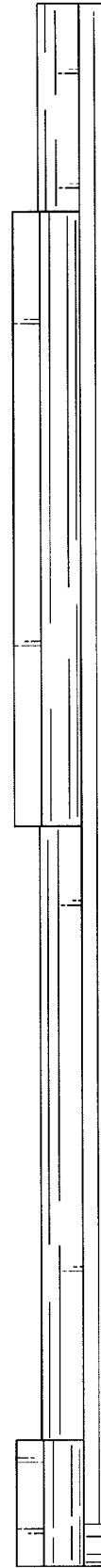


FIG.9

