



(51) International Patent Classification:
A61B 17/068 (2006.01)

(21) International Application Number:
PCT/CN2015/073114

(22) International Filing Date:
15 February 2015 (15.02.2015)

(25) Filing Language: English

(26) Publication Language: English

(71) Applicant: COVIDIEN LP [US/US]; 15 Hampshire Street, Mansfield, Massachusetts 02048 (US).

(71) Applicant (for MG only): COVIDIEN (CHINA) MEDICAL DEVICES TECHNOLOGY CO., LTD. [CN/CN]; Rooms 501, No.3 Building, No. 2388, Chen Hang Road, Minhang District, Shanghai 201114 (CN).

(72) Inventor: MURUGESAN, Ganesan; House No. 202, Building No. 92, No. 229, South Jiang Yan Road, Minhang District, Shanghai 201112 (CN).

(74) Agent: CCPIT PATENT AND TRADEMARK LAW OFFICE; 8th Floor, Vantone New World Plaza, 2 Fuchengmenwai Street, Xicheng District, Beijing 100037 (CN).

(81) Designated States (unless otherwise indicated, for every kind of national protection available): AE, AG, AL, AM, AO, AT, AU, AZ, BA, BB, BG, BH, BN, BR, BW, BY, BZ, CA, CH, CL, CN, CO, CR, CU, CZ, DE, DK, DM, DO, DZ, EC, EE, EG, ES, FI, GB, GD, GE, GH, GM, GT, HN, HR, HU, ID, IL, IN, IR, IS, JP, KE, KG, KN, KP, KR, KZ, LA, LC, LK, LR, LS, LU, LY, MA, MD, ME, MG, MK, MN, MW, MX, MY, MZ, NA, NG, NI, NO, NZ, OM, PA, PE, PG, PH, PL, PT, QA, RO, RS, RU, RW, SA, SC, SD, SE, SG, SK, SL, SM, ST, SV, SY, TH, TJ, TM, TN, TR, TT, TZ, UA, UG, US, UZ, VC, VN, ZA, ZM, ZW.

(84) Designated States (unless otherwise indicated, for every kind of regional protection available): ARIPO (BW, GH, GM, KE, LR, LS, MW, MZ, NA, RW, SD, SL, ST, SZ, TZ, UG, ZM, ZW), Eurasian (AM, AZ, BY, KG, KZ, RU, TJ, TM), European (AL, AT, BE, BG, CH, CY, CZ, DE, DK, EE, ES, FI, FR, GB, GR, HR, HU, IE, IS, IT, LT, LU, LV, MC, MK, MT, NL, NO, PL, PT, RO, RS, SE, SI, SK, SM, TR), OAPI (BF, BJ, CF, CG, CI, CM, GA, GN, GQ, GW, KM, ML, MR, NE, SN, TD, TG).

Published:

— with international search report (Art. 21(3))

(54) Title: SURGICAL STAPLING DEVICE WITH FIRING INDICATOR OF UNITARY CONSTRUCTION

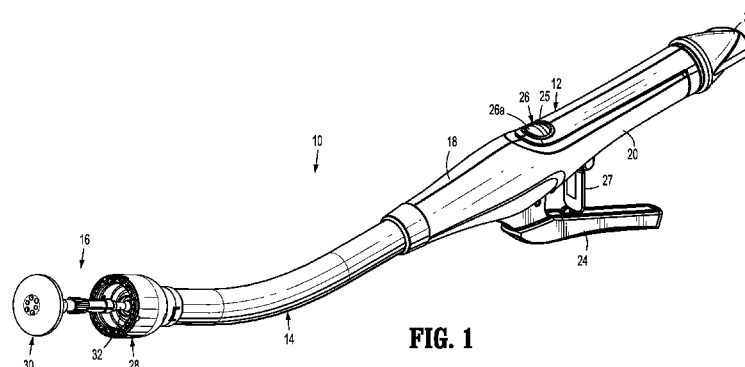


FIG. 1

(57) Abstract: An indicator (26) includes an indicator body portion (50), a pivot support member (52), a resilient lever (54) and an anchor (66). The pivot support member (52) has a first end (52a) secured to the indicator body portion (50) and a second end (52b) secured to a first end (54a) of the resilient lever (54). The resilient lever (54) has a second end (54b) secured to the anchor (66). The pivot support member (52) is adapted to be pivotally mounted to a body portion (18) of a surgical device and the anchor (66) is adapted to be secured to the surgical device such that pivotal movement of the indicator body portion (50) from a first position to a second position effects movement of the resilient lever (54) from a relaxed configuration to a stressed configuration. In the stressed configuration, the resilient lever (54) urges the indicator body portion (50) towards the first position. The indicator body portion (50) can be integrally molded of a plastic material to define a single part of unitary construction.



SURGICAL STAPLING DEVICE WITH FIRING INDICATOR OF UNITARY CONSTRUCTION

BACKGROUND

1. Technical Field

[0001] The present disclosure relates to surgical stapling devices having a firing indicator. More particularly, the present disclosure relates to circular stapling devices having a firing indicator of unitary construction.

2. Background of Related Art

[0002] Surgical devices having an end effector configured to clamp and suture tissue are well known in the medical arts. Typically, these devices include a first jaw which supports an anvil and a second jaw which supports a cartridge which houses a plurality of staples. The first and second jaws are movable in relation to each other between spaced and approximated positions to clamp tissue between the jaws prior to firing the staples into the tissue. To prevent firing the staples before the jaws have been approximated to within a “firing zone”, i.e., before the jaws have been approximated sufficiently to effect proper staple formation, it is known to provide a lockout and/or an indicator on the surgical device. Typically, the lockout prevents actuation of a firing trigger until the jaws are approximated to within the firing zone, whereas the indicator provides a visual indication that the jaws are approximated within the firing zone.

[0003] Known indicators on surgical stapling devices which provide a visual indication that the jaws are approximated to within the firing zone can include multiple components and be overly complex. A need exists in the medical arts for a simple, inexpensive

device for identifying when the jaws of the stapling device have been approximated to within the firing zone.

SUMMARY

[0004] One aspect of the present disclosure is directed to a surgical stapling device including a handle assembly having a body portion defining a grip, a rotation knob and an indicator. An elongated body portion extends distally from the handle assembly. An end effector is supported on a distal end of the elongated body portion and includes a cartridge assembly and an anvil assembly. The surgical stapling device includes an approximation assembly having a drive screw movably supported within the handle assembly and an anvil retainer operably connected to the drive screw. The anvil retainer is configured to support the anvil assembly and the drive screw is operably engaged with the rotation knob such that actuation of the rotation knob effects movement of the anvil assembly in relation to the cartridge assembly between spaced and approximated positions. A screw stop is secured to the drive screw. The indicator is of unitary construction and includes an indicator member, a pivot support member, a resilient lever and an anchor. The pivot support member has a first end secured to the indicator member and a second end secured to a first end of the resilient lever. The resilient lever has a second end secured to the anchor. The pivot support member is pivotally secured to the body portion of the handle assembly and the anchor is fixed within the body portion of the handle assembly such that pivotal movement of the indicator member from a first position to a second position effects movement of the resilient lever from a relaxed configuration to a stressed configuration, wherein in the stressed configuration, the resilient lever urges the indicator member towards the first position.

[0005] In embodiments, the screw stop includes a block which is positioned to engage the indicator when the anvil assembly moves from the spaced position to the approximated position to pivot the indicator member from the first position to the second position. The block can be formed on an upper surface of the screw stop.

[0006] In some embodiments, the resilient lever is positioned to move the indicator member from the second position to the first position when the anvil assembly is moved from the approximated position to the spaced position.

[0007] In embodiments, the pivot support member is positioned between the indicator member and the resilient lever and defines a bore which receives a pivot member. The pivot member can be supported on an inner wall of the body portion of the handle assembly.

[0008] In certain embodiments, the anchor is supported on an end of the resilient lever opposite the pivot support member and defines a bore which receives a support pin extending from the inner wall of the body portion of the handle assembly.

[0009] In some embodiments, the resilient lever includes a pleated, expandable body.

[0010] In certain embodiments, the indicator member includes indicia which provides an indication to a clinician of the status of the surgical stapling device.

[0011] In embodiments, the body portion of the handle assembly defines a window and the indicator member is positioned beneath the window to facilitate visualization of at least a portion of the indicia.

[0012] In some embodiments, the indicia includes a red stripe positioned on a green surface. The red stripe is visible through the window when the indicator member is in the

first position and the green surface is visible through the window when the indicator member is in the second position.

[0013] In embodiments, the indicator assembly is integrally molded from a plastic material.

[0014] Another aspect of the present disclosure includes an indicator of unitary construction. The indicator includes an indicator member, a pivot support member, a resilient lever and an anchor. The pivot support member has a first end secured to the indicator member and a second end secured to a first end of the resilient lever. The resilient lever has a second end secured to the anchor. The pivot support member is adapted to be pivotally mounted to a body of a surgical device and the anchor is adapted to be secured to the surgical device such that pivotal movement of the indicator member from a first position to a second position effects movement of the resilient lever from a relaxed configuration to a stressed configuration, wherein in the stressed configuration, the resilient lever urges the indicator member towards the first position.

[0015] In embodiments, the pivot support member is positioned between the indicator member and the resilient lever and defines a bore which is configured to receive a pivot member.

[0016] In embodiments, the anchor is supported on an end of the resilient lever opposite the pivot support member and defines a bore which is configured to receive a support pin.

[0017] In some embodiments, the resilient lever includes a pleated, expansible body.

[0018] In certain embodiments, the indicator member includes indicia to provide an indication to a clinician of the status of a surgical stapling device.

[0019] In some embodiments, the indicia includes a red stripe positioned on a green surface.

[0020] In some embodiments, the indicator assembly is integrally molded from a plastic material.

Brief Description of the Drawings

[0021] Various embodiments of the presently disclosed surgical stapling device and firing indicator are described herein with reference to the drawings, wherein:

[0022] Fig. 1 is a side perspective view of one embodiment of the stapling device of the present disclosure illustrating the stapling device with jaws of the an effector in a spaced configuration;

[0023] Fig. 2 is a side perspective view of a portion of a handle assembly of the stapling device shown in Fig. 1 with a half-section of the housing removed and illustrating an indicator supported within the housing in a first position adjacent a screw stop of the stapling device;

[0024] Fig. 3 is a side view of the indicator shown in Fig. 2;

[0025] Fig. 4 is a side cross-sectional view of the indicator and screw stop shown in Fig. 2 in the first position;

[0026] Fig. 5 is a side cross-sectional view of the indicator and screw stop shown in Fig. 4 after the screw stop is moved into engagement with the indicator and the indicator is moved to a second position;

Detailed Description of Embodiments

[0027] Persons skilled in the art will understand that the devices and methods specifically described herein and illustrated in the accompanying drawings are non-limiting

exemplary embodiments. It is envisioned that the elements and features illustrated or described in connection with one exemplary embodiment may be combined with the elements and features of another without departing from the scope of the present disclosure. As well, one skilled in the art will appreciate further features and advantages of the disclosure based on the above-described embodiments. Accordingly, the disclosure is not to be limited by what has been particularly shown and described, except as indicated by the appended claims.

[0028] As used herein, the term distal refers to that portion of the device which is farthest from the clinician, while the term proximal refers to that portion of the instrument which is closest to the clinician. In addition, as used herein, the term clinician refers to medical staff including doctors, nurses and support personnel.

[0029] Fig. 1 illustrates a surgical stapling device 10 having a handle assembly 12, an elongated body portion 14 and an end effector 16. The handle assembly 12 includes a body portion 18 defining a grip 20, a rotation knob 22, a firing trigger 24, and an indicator 26. The indicator 26 is positioned beneath an opening or window 25 formed in the body portion 18 which allows visualization of the indicator 26 by a clinician. A lens 26a can be supported above the indicator 26 to improve visibility of the indicator 26. A firing lockout 27 is pivotally supported on the body portion 18 of the handle assembly adjacent the firing trigger 24, as known in the art, to prevent actuation of the firing trigger 24 until the end effector 16 is moved to an approximated position as will be discussed in further detail below.

[0030] The elongated body portion 14 is tubular and extends distally from the body portion 18 of the handle assembly 12. The end effector 16 is supported on a distal end of

the elongated body portion 14 and includes a cartridge or shell assembly 28 and an anvil assembly 30. The anvil assembly 30 is supported on an anvil retainer 32 which defines a distal end of an approximation assembly (not shown) of the stapling device 10. The anvil retainer 32 is operably connected to the rotation knob 22 such that rotation of the actuation knob 22 reciprocates the anvil retainer 32 within the elongated body portion 14 to move the anvil assembly 30 in relation to the cartridge assembly 28 between spaced and approximated positions. U.S. Patent No. 7,303,106 (“the ‘106 patent”) to Milliman et al., discloses a surgical stapling device similar in many respects to surgical stapling device 10. The ‘106 patent describes firing and approximation mechanisms suitable for use with stapling device 10 and is incorporated herein by reference in its entirety.

[0031] Referring to Fig. 2, the approximation mechanism of the surgical stapling device 10 includes a drive screw 40 which supports a screw stop 42. The drive screw 40 has a proximal end which is operably connected to the rotation knob 22 (Fig. 1) and a distal end operably connected to the anvil retainer 32 (Fig. 1). The drive screw 40 is linearly movable within the handle assembly 12 in response to rotation of the rotation knob 22 to effect linear movement of the anvil retainer 32 within the cartridge 28. The screw stop 42 is fixedly secured to the drive screw 40 such that movement of the drive screw 40 effects corresponding movement of the screw stop 42. The ‘106 patent, which has been incorporated herein by reference in its entirety, discloses an approximation mechanism including a screw and screw stop as discussed above.

[0032] The indicator 26 is of unitary construction and includes an arcuate indicator body portion 50, a pivot support member 52 and a resilient lever 54. It is envisioned that the indicator body portion 50 may assume a variety of configurations other than arcuate, e.g.,

flat, concave, convex, spherical, etc. The pivot support member 52 has one end 52a formed with and extending from a bottom of the indicator body portion 50, a second end 52b connected to one end 54a of the resilient lever 54 and a central portion 56 defining a bore 58 that receives a pivot member 60. The pivot member 60 can be integrally formed on an inner wall 62 of the body portion 18 of the handle assembly 12 and pivotally supports the indicator 26 within the body portion 18 beneath the lens cover 26a. Alternately, the pivot member 60 can be formed separately from the body portion 18 of the handle assembly 12.

[0033] As discussed above, the resilient lever 54 is integrally formed with the pivot support member 52. A second end 54b end of the resilient lever 54 positioned opposite to the pivot support member 52 defines an anchor 66 defining bore 68 which receives a support pin 70. The support pin 70 can be formed on an inner wall 62 of the body portion 18 of the handle assembly 12 and fixedly secures the end 54b of the resilient lever 54 to the body portion 18 of the handle assembly 12.

[0034] The resilient lever 54 includes a pleated, expansible body 74 that extends between the anchor 66 and the pivot support member 52. The expansible body 74 is movable from a relaxed configuration shown in Figs. 2 and 3 to a compressed or stressed configuration shown in Fig. 5 as will be discussed in detail below. As discussed above, the pivot support member 52 and the end 54b of the resilient lever 54 are secured and axially fixed in relation to the body portion 18 of the handle assembly 12. As such, when the indicator body portion 50 is pivoted in a counter-clockwise direction as viewed in Fig. 3, the end 52b of the pivot support member pivots toward the anchor 66 to compress the expansible body 74 of the resilient lever 54 to the stressed configuration (Fig. 5).

[0035] Referring to Figs. 1, 4 and 5, the screw stop 42 is fixedly supported on the drive screw 40 of the stapling device 10 and includes an engagement member, e.g., a block 80, which is positioned to engage the second end 52b of the pivot support member 52 of the indicator 26. In embodiments, the second end 52b of the pivot support member 52 can include a rib or the like which is positioned to engage the block 80 of the screw stop 42.

[0036] Referring to Fig. 4, when the anvil assembly 30 is spaced from the cartridge assembly 28 (Fig. 1), the screw stop 42 is positioned such that the block 80 is positioned distally of the second end 52b of the pivot support member 52. As discussed above, as is known in the medical arts, the screw stop 42 is axially fixed to the drive screw 40 and the drive screw 40 is operably coupled to the anvil assembly 30 and to the rotation knob 22.

[0037] Referring to Fig. 5, when the rotation knob 22 (Fig. 1) is actuated, i.e., rotated by a clinician, the drive screw 40 is retracted within the body portion 18 of the handle assembly 12 to retract the anvil retainer 32 into the cartridge assembly 28 and to move the anvil assembly 30 towards the cartridge assembly 28 to the approximated position. As the drive screw 40 is retracted within the handle assembly 12 of the stapling device 10 to move the anvil assembly 30 towards the approximated position, the block 80 of the screw stop 42 engages the second end 52b of the pivot support member 52. Upon continued retraction of the drive screw 40 and screw stop 42, the block 80 of the screw stop 42 pivots the pivot support member 52 about the pivot member 60 to pivot the indicator member 50 from a first position beneath the window 25 to a second position beneath the window 25.

[0038] Referring also to Fig. 3, the indicator body portion 50 includes indicia which provide an indication to the clinician of the status of the stapling device 10. More

specifically, the indicia may be in the form of a red stripe 90 positioned on a green upper surface 92 of the indicator body portion 50. When the indicator body portion 50 is in the first position (Fig. 4) and the red stripe 90 is aligned with the window 25, the red stripe 90 indicates to a clinician that the end effector 16 or anvil 30 of the end effector 16 is in a spaced or unapproximated position and thus, the stapling device 10 is not in a fire-ready position. When the indicator body portion 50 is pivoted to the second position (Fig. 5) in response to retraction of the drive screw 40 and screw stop 42 within the body portion 18 of the handle assembly 12, the green upper surface 92 of the indicator body portion 50 becomes visible through the window 25 of the stapling device 10 and indicates to the clinician that the stapling device 10 is in a fire ready position.

[0039] It is envisioned that the indicia may be selected from a variety of different colors, characters or the like.

[0040] It is noted that as the pivot support member 52 is pivoted towards the expansible body 74 of the resilient lever 54, the resilient lever 54 is moved to the stressed or compressed configuration. As such, when the anvil assembly 30 is moved from the approximated position towards the spaced position via actuation of the rotation knob 22, the expansible body 74 returns to its relaxed configuration to pivot the indicator member 50 back the first position.

[0041] The indicator member 26 can be molded as a single, integral, unitary part from a plastic material such as nylon or polyvinyl chloride (PVC) By providing an indicator of unitary construction, the number of components and the complexity of the handle assembly can be minimized to reduce cost.

[0042] Persons skilled in the art will understand that the devices and methods specifically described herein and illustrated in the accompanying drawings are non-limiting exemplary embodiments. It is envisioned that the elements and features illustrated or described in connection with one exemplary embodiment may be combined with the elements and features of another without departing from the scope of the present disclosure. As well, one skilled in the art will appreciate further features and advantages of the disclosure based on the above-described embodiments. Accordingly, the disclosure is not to be limited by what has been particularly shown and described, except as indicated by the appended claims.

What is Claimed Is:

1. A surgical stapling device comprising:
 - a handle assembly including a body portion defining a grip, a rotation knob and an indicator;
 - an elongated body portion extending distally from the handle assembly;
 - an end effector supported on a distal end of the elongated body portion, the end effector including a cartridge assembly and an anvil assembly;
 - an approximation assembly including a drive screw movably supported within the handle assembly and an anvil retainer operably connected to the drive screw, the anvil retainer being configured to support the anvil assembly and the drive screw being operably engaged with the rotation knob such that actuation of the rotation knob effects movement of the anvil assembly in relation to the cartridge assembly between spaced and approximated positions; and
 - a screw stop secured to the drive screw;
- wherein the indicator is of unitary construction and includes an indicator body portion, a pivot support member, a resilient lever and an anchor, the pivot support member having a first end secured to the indicator body portion and a second end secured to a first end of the resilient lever, the resilient lever having a second end secured to the anchor, the pivot support member being pivotally secured to the body portion of the handle assembly and the anchor being fixed within the body portion of the handle assembly such that pivotal movement of the indicator member from a first position to a second position effects movement of the resilient lever from a relaxed

configuration to a stressed configuration, wherein in the stressed configuration, the resilient lever urges the indicator body portion towards the first position.

2. The surgical stapling device according to claim 1, wherein the screw stop includes a block which is positioned to engage the indicator to pivot the indicator body portion from the first position to the second position when the anvil assembly moves from the spaced position to the approximated position.

3. The surgical stapling device according to claim 2, wherein the resilient lever is positioned to move the indicator body portion from the second position to the first position when the anvil assembly is moved from the approximated position to the spaced position.

4. The surgical stapling device according to claim 2, wherein the block is formed on an upper surface of the screw stop.

5. The surgical stapling device according to claim 1, wherein the pivot support member is positioned between the indicator body portion and the resilient lever and defines a bore which receives a pivot member, the pivot member being supported on an inner wall of the body portion of the handle assembly. the anchor is supported on an end of the resilient lever opposite the pivot support member

6. The surgical stapling device according to claim 6, wherein the anchor defines a bore which receives a support pin extending from the inner wall of the body portion of the handle assembly.

7. The surgical stapling device according to claim 1, wherein the resilient lever includes a pleated, expansible body.

8. The surgical stapling device according to claim 1, wherein the indicator body portion includes indicia which provides an indication to a clinician of the status of the surgical stapling device.

9. The surgical stapling device according to claim 8, wherein the body portion of the handle assembly defines a window, the indicator body portion being positioned beneath the window to facilitate visualization of at least a portion of the indicia.

10. The surgical stapling device according to claim 9, wherein the indicia includes a red stripe positioned on a green surface, the red stripe being visible through the window when the indicator body portion is in the first position and the green surface being visible through the window when the indicator body portion is in the second position.

11. The surgical stapling device according to claim 1, wherein the indicator assembly is integrally molded from a plastic material.

12. An indicator of unitary construction comprising:

an indicator body portion, a pivot support member, a resilient lever and an anchor, the pivot support member having a first end secured to the indicator body portion and a second end secured to a first end of the resilient lever, the resilient lever having a second end secured to the anchor, the pivot support member being adapted to be pivotally mounted to a surgical device and the anchor adapted to be secured to the surgical device such that pivotal movement of the indicator member from a first position to a second position effects movement of the resilient lever from a relaxed configuration to a stressed configuration, wherein in the stressed configuration, the resilient lever urges the indicator body portion towards the first position.

13. The surgical stapling device according to claim 12, wherein the pivot support member is positioned between the indicator body portion and the resilient lever and defines a bore which is configured to receive a pivot member.

14. The surgical stapling device according to claim 12, wherein the anchor defines a bore which is configured to receive a support pin.

15. The surgical stapling device according to claim 12, wherein the resilient lever includes a pleated, expansible body.

16. The surgical stapling device according to claim 12, wherein the indicator body portion includes indicia to provide an indication to a clinician of the status of a surgical stapling device.

17. The surgical stapling device according to claim 16, wherein the indicia includes a red stripe positioned on a green surface.

18. The surgical stapling device according to claim 12, wherein the indicator assembly is integrally molded from a plastic material.

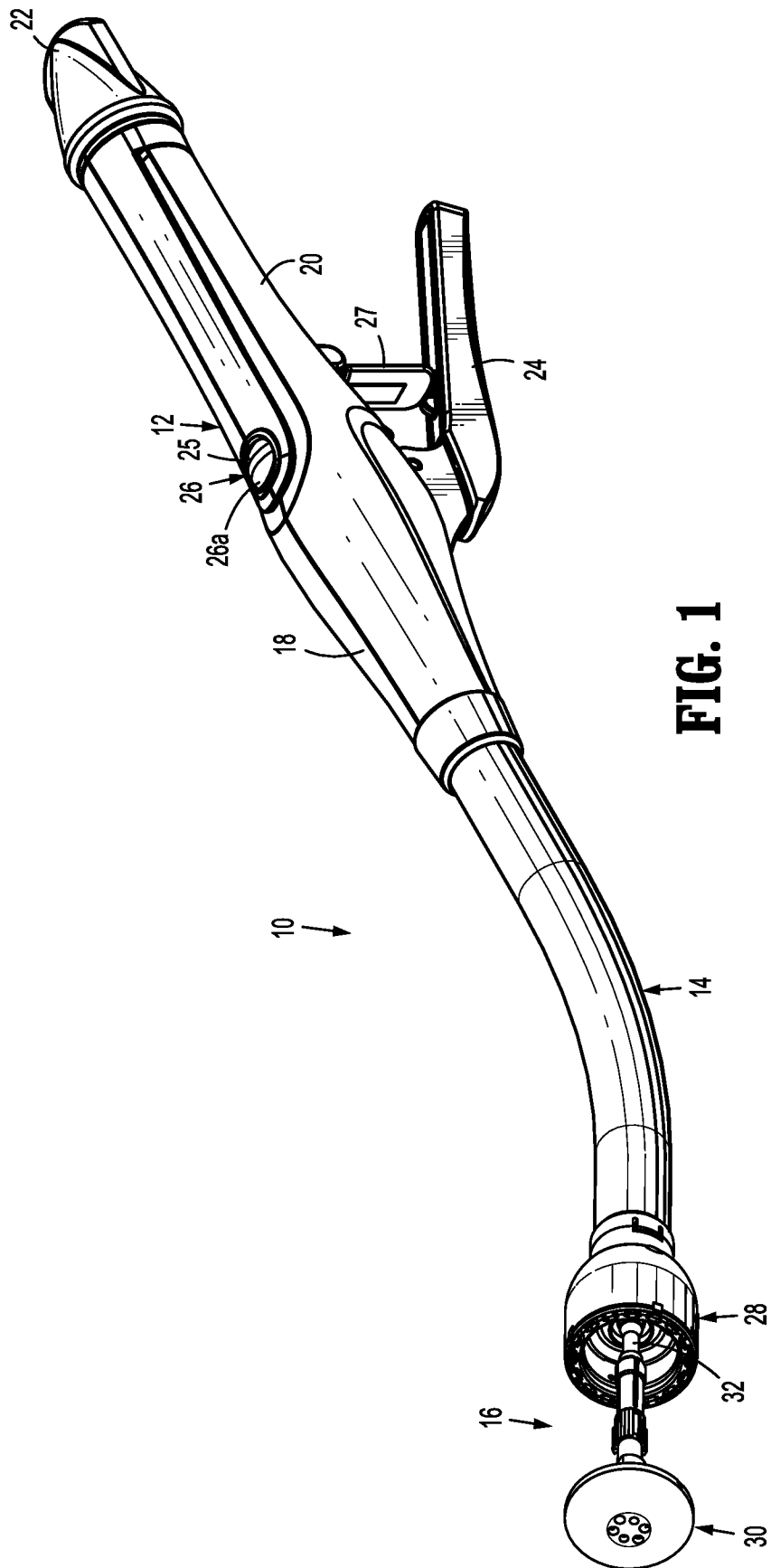


FIG. 1

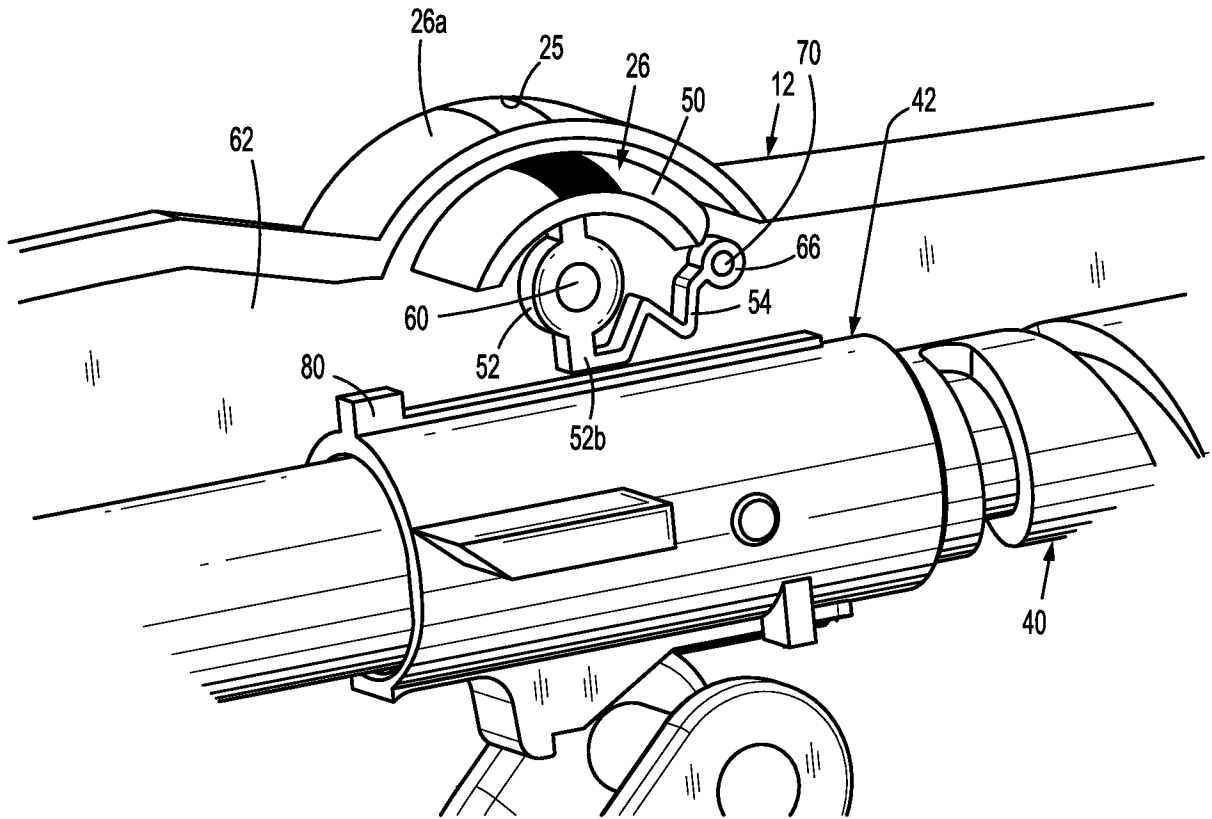


FIG. 2

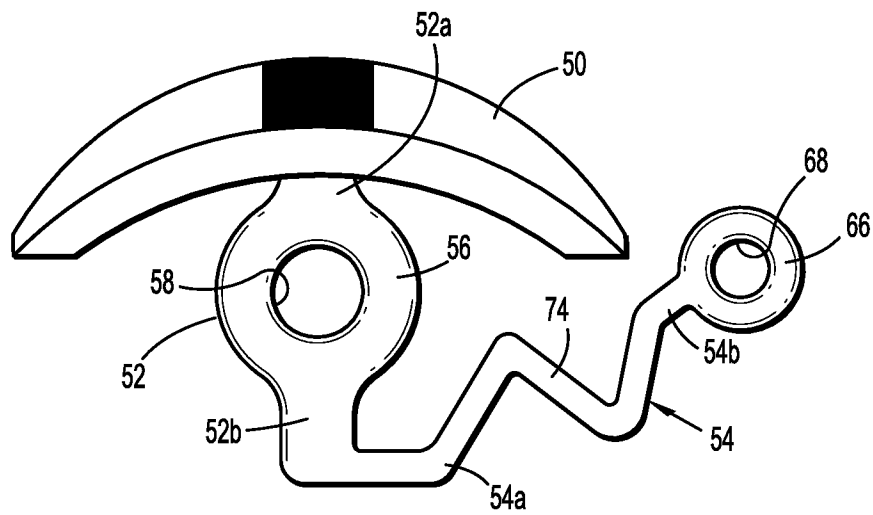


FIG. 3

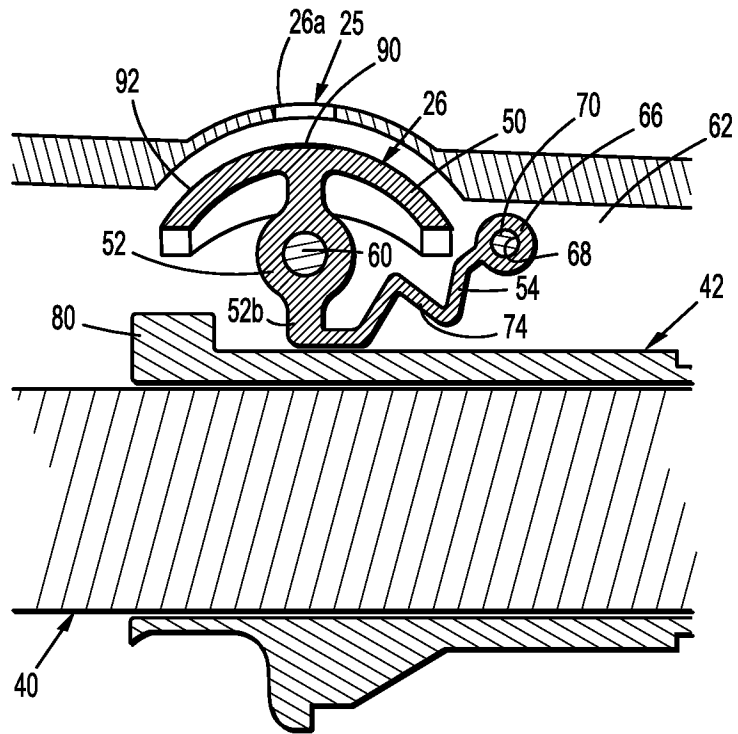


FIG. 4

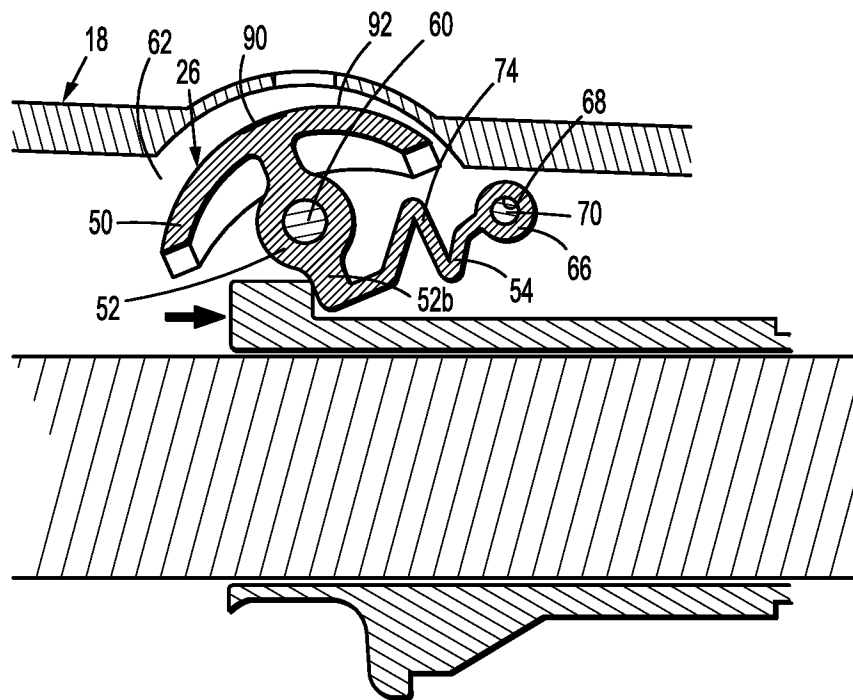


FIG. 5

INTERNATIONAL SEARCH REPORT

International application No.

PCT/CN2015/073114

A. CLASSIFICATION OF SUBJECT MATTER		
A61B 17/068(2006.01)i		
According to International Patent Classification (IPC) or to both national classification and IPC		
B. FIELDS SEARCHED		
Minimum documentation searched (classification system followed by classification symbols)		
A61B		
Documentation searched other than minimum documentation to the extent that such documents are included in the fields searched		
Electronic data base consulted during the international search (name of data base and, where practicable, search terms used)		
CNABS, CNTXT, SIPOABS, VEN: stapl+, indicat+, visual, pivot+, rotat+, lever?, resilient, elastic+, spring, expans+, mov+		
C. DOCUMENTS CONSIDERED TO BE RELEVANT		
Category*	Citation of document, with indication, where appropriate, of the relevant passages	Relevant to claim No.
A	CN 104042288 A (COVIDIEN LP) 17 September 2014 (2014-09-17) description, paragraphs [0063] to [0100] and figures 1-39	1-18
A	US 2006097025 A1 (TYCO HEALTHCARE GRAOUP LLP) 11 May 2006 (2006-05-11) the whole document	1-18
A	WO 02080781 A2 (UNITED STATES SURGICAL ET AL.) 17 October 2002 (2002-10-17) the whole document	1-18
A	US 5533661 A (ETHICON INC) 09 July 1996 (1996-07-09) the whole document	1-18
A	CN 103462663 A (WUXI SHENKANG MEDICAL INSTR EQUIP CO LTD) 25 December 2013 (2013-12-25) the whole document	1-18
<input type="checkbox"/> Further documents are listed in the continuation of Box C. <input checked="" type="checkbox"/> See patent family annex.		
* Special categories of cited documents:		
“A”	document defining the general state of the art which is not considered to be of particular relevance	“T” later document published after the international filing date or priority date and not in conflict with the application but cited to understand the principle or theory underlying the invention
“E”	earlier application or patent but published on or after the international filing date	“X” document of particular relevance; the claimed invention cannot be considered novel or cannot be considered to involve an inventive step when the document is taken alone
“L”	document which may throw doubts on priority claim(s) or which is cited to establish the publication date of another citation or other special reason (as specified)	“Y” document of particular relevance; the claimed invention cannot be considered to involve an inventive step when the document is combined with one or more other such documents, such combination being obvious to a person skilled in the art
“O”	document referring to an oral disclosure, use, exhibition or other means	“&” document member of the same patent family
“P”	document published prior to the international filing date but later than the priority date claimed	
Date of the actual completion of the international search		Date of mailing of the international search report
06 November 2015		23 November 2015
Name and mailing address of the ISA/CN		Authorized officer
STATE INTELLECTUAL PROPERTY OFFICE OF THE P.R.CHINA 6, Xitucheng Rd., Jimen Bridge, Haidian District, Beijing 100088, China		WEI,Na
Facsimile No. (86-10)62019451		Telephone No. (86-10)62089912

INTERNATIONAL SEARCH REPORT
Information on patent family members

International application No.

PCT/CN2015/073114

Patent document cited in search report			Publication date (day/month/year)	Patent family member(s)			Publication date (day/month/year)
CN	104042288	A	17 September 2014	WO	2014139440	A1	18 September 2014
US	2006097025	A1	11 May 2006	ES	2385522	T3	26 July 2012
				JP	2012024608	A	09 February 2012
				US	8348122	B2	08 January 2013
				US	2007075117	A1	05 April 2007
				JP	2006501950	A	19 January 2006
				AU	2003279147	A1	04 May 2004
				EP	1545338	A2	29 June 2005
				DE	60327227	D1	28 May 2009
				US	2008054045	A1	06 March 2008
				CA	2501049	C	03 January 2012
				US	2013072955	A1	21 March 2013
				CA	2501049	A1	22 April 2004
				AU	2008258161	B8	20 January 2011
				US	7303106	B2	04 December 2007
				EP	2055246	B1	18 April 2012
				US	7546940	B2	16 June 2009
				AU	2008258161	A1	08 January 2009
				JP	4898888	B2	21 March 2012
				ES	2324407	T3	06 August 2009
				EP	1545338	B1	15 April 2009
				WO	2004032766	A2	22 April 2004
				JP	2010042285	A	25 February 2010
				AU	2003279147	B2	09 October 2008
				CA	2754689	C	16 December 2014
				CA	2754689	A1	22 April 2004
				AU	2008258161	B2	16 December 2010
				JP	4422027	B2	24 February 2010
				EP	2055246	A1	06 May 2009
WO	02080781	A2	17 October 2002	CA	2442680	A1	17 October 2002
				JP	2012035093	A	23 February 2012
				EP	2392267	A3	01 January 2014
				US	2006043148	A1	02 March 2006
				AU	2002257122	B2	14 September 2006
				US	2013277412	A1	24 October 2013
				US	8464924	B2	18 June 2013
				US	7234624	B2	26 June 2007
				US	2008142566	A1	19 June 2008
				JP	5175369	B2	03 April 2013
				EP	1377222	A2	07 January 2004
				CA	2662551	A1	17 October 2002
				EP	2397080	A2	21 December 2011
				AU	2009202896	B2	29 September 2011
				JP	2004524121	A	12 August 2004
				CA	2662551	C	08 February 2011
				JP	2011120929	A	23 June 2011
				EP	2397080	A3	01 January 2014
				JP	2009112826	A	28 May 2009
				JP	4388745	B2	24 December 2009
				AU	2009202896	A1	06 August 2009

INTERNATIONAL SEARCH REPORT
Information on patent family members

International application No.

PCT/CN2015/073114

Patent document cited in search report	Publication date (day/month/year)	Patent family member(s)	Publication date (day/month/year)
		ES 2372164 T3	16 January 2012
		JP 4970415 B2	04 July 2012
		EP 1377222 B1	19 October 2011
		CA 2442680 C	23 March 2010
		CA 2662557 A1	17 October 2002
		US 6945444 B2	20 September 2005
		WO 02080781 A9	06 May 2004
		CA 2662557 C	22 March 2011
		US 2005023325 A1	03 February 2005
		WO 02080781 A8	01 April 2004
		EP 2392267 A2	07 December 2011
		AU 2002257122 A1	21 October 2002
		AU 2006246455 A1	21 December 2006
		AU 2006246455 B2	16 July 2009
US 5533661 A	09 July 1996	US 5350104 A	27 September 1994
		CA 2102955 C	01 February 2005
		EP 0623313 A1	09 November 1994
		CA 2102955 A1	17 May 1994
		EP 0623313 B1	13 May 1998
		DE 69318543 D1	18 June 1998
		US 5333773 A	02 August 1994
		ES 2115024 T3	16 June 1998
		AT 165964 T	15 May 1998
		GR 930100438 A	29 July 1994
		DE 69318543 T	01 October 1998
CN 103462663 A	25 December 2013	None	