



(51) International Patent Classification:

*H01R 24/44* (2011.01)      *H01R 9/05* (2006.01)  
*H01R 24/50* (2011.01)      *H01R 103/00* (2006.01)  
*H01R 13/6473* (2011.01)    *H01R 12/70* (2011.01)

(21) International Application Number:

PCT/EP2018/068205

(22) International Filing Date:

05 July 2018 (05.07.2018)

(25) Filing Language:

English

(26) Publication Language:

English

(30) Priority Data:

17182262.0      20 July 2017 (20.07.2017)      EP

(71) Applicant: SPINNER GMBH [DE/DE]; Erzgiessereistr. 33, 80335 München (DE).

(72) Inventors: GRASSL, Martin; Herzogstandstr. 162, 85435 Erding (DE). ZISSLER, Wolfgang; Porschenweg 3, 83620 Feldkirchen Westerham (DE).

(74) Agent: LOHR, Georg; Junkersstraße 3, 82178 Puchheim (DE).

(81) Designated States (unless otherwise indicated, for every kind of national protection available): AE, AG, AL, AM, AO, AT, AU, AZ, BA, BB, BG, BH, BN, BR, BW, BY, BZ,

CA, CH, CL, CN, CO, CR, CU, CZ, DE, DJ, DK, DM, DO, DZ, EC, EE, EG, ES, FI, GB, GD, GE, GH, GM, GT, HN, HR, HU, ID, IL, IN, IR, IS, JO, JP, KE, KG, KH, KN, KP, KR, KW, KZ, LA, LC, LK, LR, LS, LU, LY, MA, MD, ME, MG, MK, MN, MW, MX, MY, MZ, NA, NG, NI, NO, NZ, OM, PA, PE, PG, PH, PL, PT, QA, RO, RS, RU, RW, SA, SC, SD, SE, SG, SK, SL, SM, ST, SV, SY, TH, TJ, TM, TN, TR, TT, TZ, UA, UG, US, UZ, VC, VN, ZA, ZM, ZW.

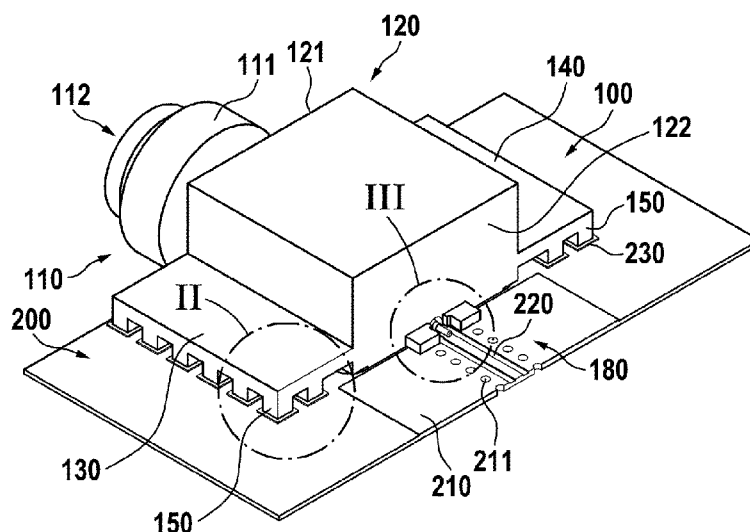
(84) Designated States (unless otherwise indicated, for every kind of regional protection available): ARIPO (BW, GH, GM, KE, LR, LS, MW, MZ, NA, RW, SD, SL, ST, SZ, TZ, UG, ZM, ZW), Eurasian (AM, AZ, BY, KG, KZ, RU, TJ, TM), European (AL, AT, BE, BG, CH, CY, CZ, DE, DK, EE, ES, FI, FR, GB, GR, HR, HU, IE, IS, IT, LT, LU, LV, MC, MK, MT, NL, NO, PL, PT, RO, RS, SE, SI, SK, SM, TR), OAPI (BF, BJ, CF, CG, CI, CM, GA, GN, GQ, GW, KM, ML, MR, NE, SN, TD, TG).

Published:

— with international search report (Art. 21(3))

(54) Title: RF PCB CONNECTOR WITH A SURFACE-MOUNT INTERFACE

Fig. 1



(57) Abstract: A RF connector system comprises an RF connector with PCB interface further comprising a housing, a coaxial RF connector interface and a PCB contact section together with a Printed Circuit Board (PCB). A mechanical connection is made by two wing shaped surface mount sections of the housing having a plurality of surface mount studs adapted to match which pads on the PCB. The electrical connection to the PCB is made by an inner conductor and at least one matching block electrically connected to the housing and providing a matched impedance at the PCB, which has a strip line with a ground plane.



## RF PCB Connector with a Surface-Mount Interface

### Field of the invention

The invention relates to an RF PCB connector assembly which may be used for  
5 milli-meter waves and which has a surface-mount interface for a printed circuit  
board (PCB).

### Description of the related art

A RF connector assembly is disclosed in US 6,607,400 B1. A connector is mounted  
into a cutout of a printed circuit board. The electrical contact is established by  
10 soldering pads to a ground plane and to a signal line. Due to their design, such  
connectors are only suitable for frequencies up to order of magnitude of 1 GHz.  
The connector is a miniature pushbutton connector. A larger connector with a  
higher weight cannot be mounted by the disclosed PCB interface.

A millimeter wave connector for interconnecting a microstrip circuit and an ex-  
15 ternal circuit is disclosed in US 4,669,805. The connector is held in a housing,  
which also contains a microstrip substrate to be connected to the connector.  
During assembly, the flexible center conductor of the connector has to be bent  
to adapt to the microstrip circuit. Bending of the center conductor may cause  
asymmetries, which degrade the electrical characteristics of the connector.

### 20 Summary of the invention

The problem to be solved by the invention is to provide a millimeter wave con-  
nector, which can be mounted to a printed circuit board (PCB) or any other mi-  
crostrip substrate without requiring complex and expensive mounting tools. The  
connector should be designed such, that it can be mounted by automated tools.

Solutions of the problem are described in the independent claims. The dependent claims relate to further improvements of the invention.

A millimeter wave or RF connector for printed circuit boards comprises housing, an RF connector interface, and a printed circuit board interface. The RF PCB connector defines a mounting plane. The mounting plane is a common plane of all surface mount components of the connector. It is also a plane of a PCB to which the connector may be mounted.

The RF connector interface may be any standard RF connector interface like SMA, 2.92mm, 1.85 mm or 1.0 mm. The RF connector interface preferably provides a coaxial connector interface having an outer conductor and an inner conductor. The coaxial RF connector interface may be mounted or attached to the housing. Preferably, the outer conductor is part of the housing, such that it is monolithic with the housing.

The housing may comprise a metal block having a cuboid shape. It comprises at least one, preferably two surface mount sections which may be part of the housing and preferably are monolithic with the housing. The surface mount sections may be formed as side wings to the housing, therefore requiring less space and material. Furthermore, side wings provide a lower thermal capacity. The at least one surface mount section has a plurality of surface mount studs which preferably are monolithic with the surface mount section and which have a planar end surface in the mounting plane. The surface mount studs may be soldered with their end surface to the surface of a printed circuit board. They may be soldered to a continuous metal surface, like a ground plane. It is preferred if the surface mount studs are soldered to matching contact pads. These contact pads may be insulated from each other and/or from the system ground, as the ground connection may be done by the matching blocks which are part of the PCB contact section and are arranged close to the inner conductor exit of the housing. The

contact pads may also be used for further grounding the connector. Most preferably, when using contact pads matching to the surface mount studs, centering of each surface mount stud to the corresponding contact pad is automatically done by surface tension of the soldering metal. Such a soldering metal may be  
5 any metal or combination of metals as known from prior art, e.g. tin, lead, silver and others. The centering of the individual surface mount studs results in a total alignment of RF connector. Furthermore, the RF connector can easily be handled by automatic pick and place systems and needs no additional handling steps.

The housing preferably comprises a conductive material, most preferably a metal.  
10 al.

As the RF connector outer conductor is connected to or part of the housing, the outer connector can be contacted by means of the surface mount studs to a printed circuit board.

The center conductor (also called inner conductor) of the coaxial RF connector  
15 interface is guided through the housing, preferably within a coaxial bore to maintain the coaxial structure by minimizing reflections. The inner conductor exits the housing at the PCB contact section, preferably at a side opposing to the side of the coaxial RF connector interface and has a contact area in the mounting plane. At the exit side of the housing close to the inner conductor is at least one match-  
20 ing block in electrical contact with the housing, which keeps the capacitance of the inner conductor in the area of the exit side and the contact to the strip line of the printed circuit board corresponding to the inductance, such that the characteristic impedance is always constant and the reflections are minimized. Preferably, there are two matching blocks symmetrically arranged. Most preferably,  
25 they have a contact surface in the mounting plane such that they can contact a ground plane of the printed circuit board. Preferably, the matching blocks also

act as soldering pads to provide an electrical connection to a ground plane of the printed circuit board.

For seating the housing, a cutout may be provided in the printed circuit board. Preferably, the cutout is at least slightly larger than the housing, such that there is a gap between the cutout and the housing. It is not necessary that the cutout exactly matches to the housing and holds the housing, as the housing itself is precisely centered by the surface mount studs which are further centered to the contact pads. Such a precision alignment is necessary to provide a perfect alignment at the exit side of the inner conductor with the strip line, which further results in minimal reflections at high frequencies.

In a preferred embodiment, an RF connector system is provided comprising of at least one RF connector as mentioned above and a matching printed circuit board as also mentioned above. To provide self-alignment of the RF connector to the printed circuit board, the contact pads of the printed circuit board preferably match to the surface mount studs of the RF connector. Preferably, the contact pads and the surface mount studs have a rectangular, and most preferably a squared cross-section. It is further preferred if the size of the contact pads is between 0.05 to 0.15 mm larger than the size of the surface mount studs. The surface mount studs may also have a circular or elliptical shape, whereas the size of the contact pads which may have a rectangular or circular or elliptical shape, is preferably in a range from 0.05 to 0.15 mm larger than the studs.

Preferably, the housing and most preferably the surface mount stud as well as the matching blocks have a surface which can be soldered easily. Preferably the surfaces are electro-plated.

25

### Description of Drawings

In the following the invention will be described by way of example, without limitation of the general inventive concept, on examples of embodiment with reference to the drawings.

5 Figure 1 shows a perspective view of the RF connector with PCB interface.

Figure 2 shows a detailed view of a surface mount section.

Figure 3 shows a detail of the inner conductor connection.

Figure 4 shows details of a surface mount stud.

Figure 5 shows a top view of a RF connector with PCB interface.

10 Figure 6 shows a sectional view of the RF connector with PCB interface.

Figure 7 shows a side view.

Figure 8 shows a bottom view.

Figure 9 shows an enlarged sectional view of figure 7.

15 In Figure 1, a perspective view of the RF connector with PCB interface 100 is shown. It comprises a housing 120 comprising, preferably holding or being one part with a coaxial RF connector interface 110.

The coaxial RF connector interface 110 has an outer conductor 111 and a center conductor 112 coaxial to the outer conductor 111. The center conductor 112  
20 cannot be seen here, but will be shown later in detail. The coaxial RF connector interface may be of any type. It may be male, female or hermaphroditic.

The housing 120, which preferably comprises a metal and preferably has a cuboid shape furthermore has at least one surface mount section 130, 140, which preferably are symmetrically arranged at two opposing sides of the housing. It is further preferred, if the surface mount sections have the shape of side wings.

5 The surface mount sections may have a smaller thickness than the housing, therefore requiring less material and providing a lower thermal capacity, which may be beneficial for soldering. The at least one surface mount section comprises a plurality of surface mount studs 150. The surface mount studs are arranged in a common mounting plane, such that a printed circuit board may be attached  
10 thereto. The surface mount studs preferably have a rectangular or squared cross-section, but they may have any other shape like a circular or elliptical cross-section.

The housing 120 preferably has a first side 121 with the coaxial RF connector interface and an exit side 122 bearing the PCB contact section 180 preferably  
15 opposing thereto. The exit side is used for contacting an inner conductor connected to or being part of the center conductor 112 to a printed circuit board, which is explained in more detail below.

Furthermore, this Figure shows a printed circuit board 200 having a plurality of contact pads 230 aligned with the surface mount studs. Furthermore, the printed  
20 circuit board has a strip line 220 and at least one (here: two) ground plane sections 210 insulated from the strip line. These ground plane sections are electrically connected together by a plurality of through-holes 211 passing to a lower electrical layer in the printed circuit board, which cannot be shown here. This layer connects the ground plane sections under (or over) the strip line.

25 In Figure 2, a detailed view of a surface mount section 130 (section II of Fig. 1) is shown having a plurality of surface mount studs 150 which are soldered to matching contact pads 230 of the printed circuit board 200.

In Figure 3, a detail of the connection of inner conductor 160 (section III of Fig. 1) is shown. The inner conductor 160 exits the exit side 122 of the housing through bore 165 and may be soldered to a strip line 220. To keep the end section of the inner conductor 160 with minimized reflections, preferably one and most preferably two matching blocks 171, 172 are provided. These matching blocks also preferably are used to contact the housing 120 to a ground plane 210 of the printed circuit board by being soldered thereto.

In Figure 4, details of a surface mount stud 150 are shown, soldered on a matching contact pad 230. Here, the stud and the pad have a rectangular cross-section, preferably a squared cross-section. The surface mount stud 150 has a first side length 151 and a second side length 152. The contact pad 230 has a first side length 231 and a second side length 232. It is preferred, if the first side length 151 of the surface mount stud is between 0.05 and 0.15 mm smaller than the first side length 231 of contact pad 230. It is preferred, if the second side length 152 of the surface mount stud is between 0.05 and 0.15 mm smaller than the second side length 232 of contact pad 230.

In Figure 5, a top view of the RF connector with PCB interface 100 mounted to a printed circuit board is shown. It shows the contact pads 230 as well as the ground plane 210 together with strip line 220. For seating the housing, a cutout 250 may be provided in the printed circuit board.

Preferably, the cutout is at least slightly larger than the housing, such that there is a gap between the cutout and the housing. It is not necessary that the cutout exactly matches to the housing and holds the housing, as the housing itself is precisely centered by the surface mount studs which are further centered to the contact pads. Such a precision alignment is necessary to provide a perfect alignment at the exit side of the inner conductor with the strip line, which further results in minimal reflections at high frequencies.

In Figure 6, a sectional view of the RF connector with PCB interface is shown. In this view, the path of the center conductor connection is shown. The center conductor 112 of the coaxial RF connector interface is guided as an inner conductor 160 through a bore 165 at exit side 122. The inner conductor 160 may be one  
5 piece with the center conductor 112. It may also be a wire or other metal structure electrically and preferably mechanically connected to the center conductor 112. The center conductor 112 and/or inner conductor 160 may be mechanically supported by spacers 123 which are held by outer conductor sections 125. In this figure, the Coaxial RF connector interface 110 is held by a thread 124 in the hous-  
10 ing 120. Therefore, it may be replaced or it may be part of a modular system comprising multiple different connector interfaces fitting into the same housing.

In Figure 7, a side view of the RF-connector is shown. This side view shows the mounting plane 280 which is in this view the plane defining the bottom of the surface mount stud and other contact parts as well as the top side of printed  
15 circuit board 200. This Figure also indicates the planar surfaces 154 at the end of surface mount studs 150. The planar surface 154 is in the mounting plane. Also the matching block contact surface 175 of matching block 171 is shown. This surface is also in the mounting plane.

In Figure 8, a bottom view of the connector is shown. Here, the planar surfaces  
20 154 are shown. Also the matching block contact surface 175 is shown. Furthermore contact area 162 of the inner conductor is shown.

Figure 9 shows an enlarged sectional view of figure 7.

**List of reference numerals**

100	RF connector wit PCB interface
110	Coaxial RF connector interface
111	outer conductor
112	center conductor
120	housing
121	Coaxial RF connector interface (first) side of housing
122	exit side of housing
123	spacer
124	thread
125	outer conductor section
130, 140	surface mount section
150	surface mount stud
151	first side length
152	second side length
154	planar end surface
160	inner conductor
162	contact area
165	bore
171, 172	matching blocks
175	matching block contact surface
180	PCB contact section
200	printed circuit board (PCB)
210	ground plane
211	through holes
220	strip line
230	contact pads
231	first side length
232	second side length

250 cutout  
280 mounting plane

## Claims

1. RF PCB connector with PCB interface (100) comprising a housing (120), a coaxial RF connector interface (110) and a PCB contact section (180), the RF PCB connector defining a mounting plane (280);  
the coaxial RF connector interface (110) comprising an outer conductor (111) and a center conductor (112);  
the housing (120) comprising at least one surface mount section (130, 140), the at least one surface mount section (130, 140) further comprising a plurality of surface mount studs (150), each surface mount stud (150) having a planar end surface in the mounting plane (280); and  
the PCB contact section (180) comprising an inner conductor (160) passing through a bore (165) of the housing and having a contact area in the mounting plane (280); and  
at least one matching block (171, 172) having a contact surface in the mounting plane (280) and being electrically connected to the housing (120) and providing a matched impedance at the PCB contact section, the inner conductor (160) being electrically connected with the center conductor (112),  
the outer conductor (111) being connected to the housing.
2. RF connector (100) according to claim 1,  
characterized in, that  
the housing (120) comprises a metal block having a cuboid shape.
3. RF connector (100) according to any one of the previous claims,  
characterized in, that  
the housing (120) comprises two surface mount sections (130, 140) which are symmetrically arranged at two opposing sides of the housing.

4. RF connector (100) according to any one of the previous claims, characterized in, that the surface mount sections (130, 140) have a smaller thickness than the housing (120).
5. RF connector (100) according to any one of the previous claims, characterized in, that the surface mount studs (150) have a rectangular or squared cross-section.
6. RF connector (100) according to any one of the previous claims, characterized in, that the PCB contact section (180) is at an exit side (122) of the housing (120) opposing to a first side (121) with the coaxial RF connector interface (110).
7. RF connector system comprising an RF connector according to any one of the previous claims and a Printed Circuit Board (PCB) (200), characterized in, that the PCB comprises at least one contact pad (230) matching to the at least one surface mount stud (150), at least one strip line (220) matching to the at least one inner conductor (160) and at least one ground plane (210) matching to the at least one matching blocks (171, 172).
8. RF connector system according to claim 7, characterized in, that the at least one strip line (220) is insulated from and in a PCB layer above or under the at least one ground plane (210).
9. RF connector system according to claim 7 or 8, characterized in, that

the at least one at least one contact pad (230) is electrically insulated from the at least one ground plane (210).



Fig. 3

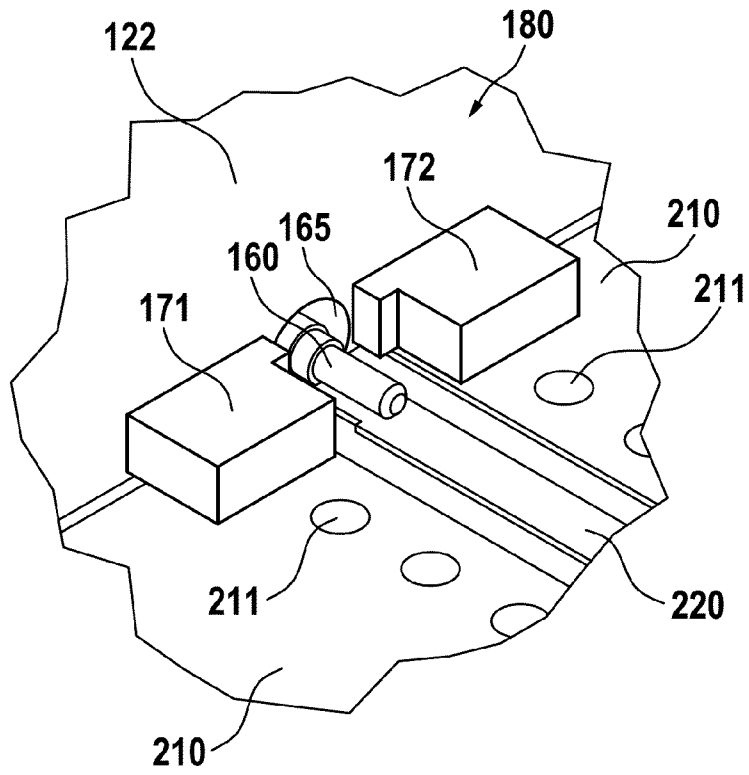


Fig. 4

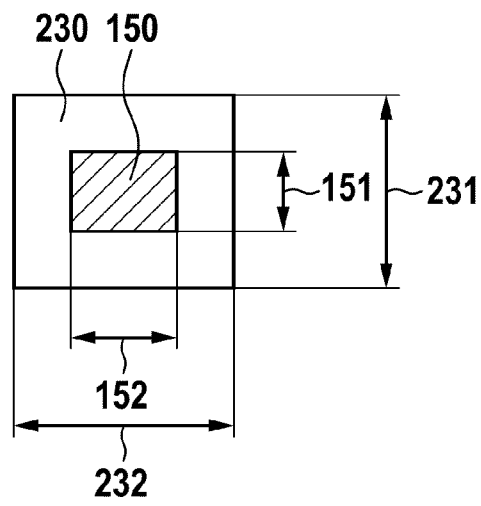


Fig. 5

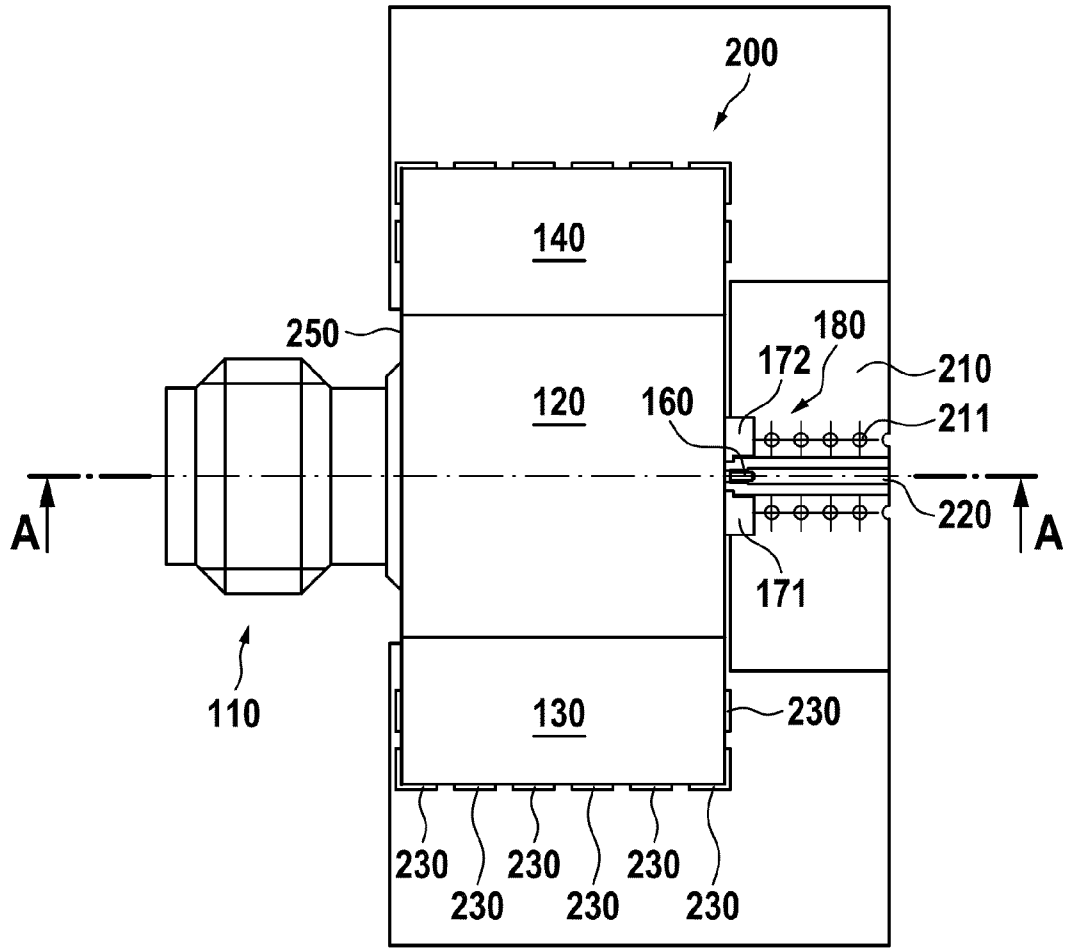


Fig. 6

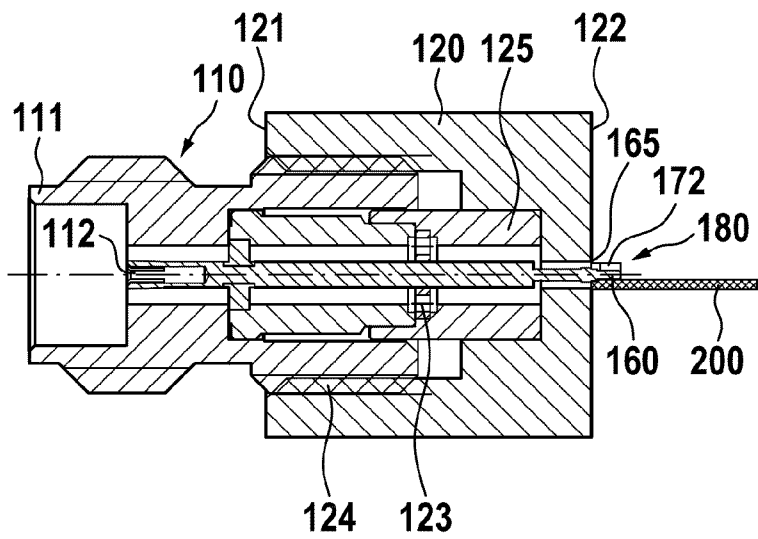


Fig. 7

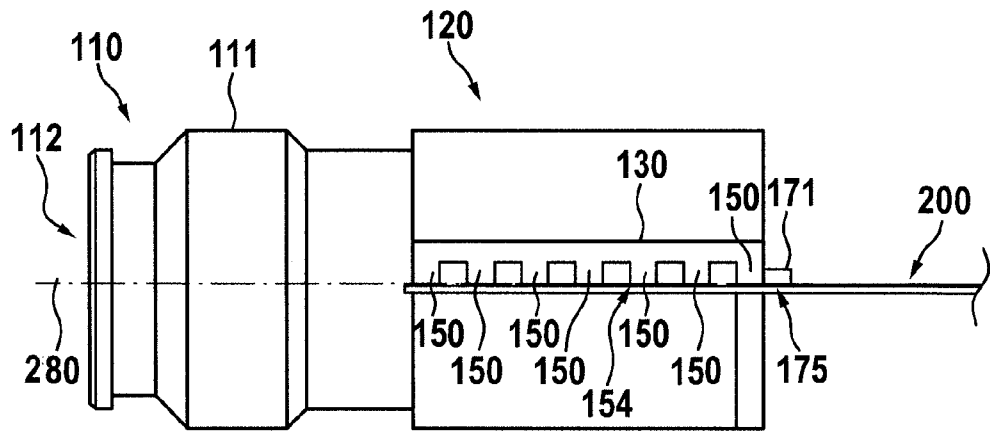


Fig. 8

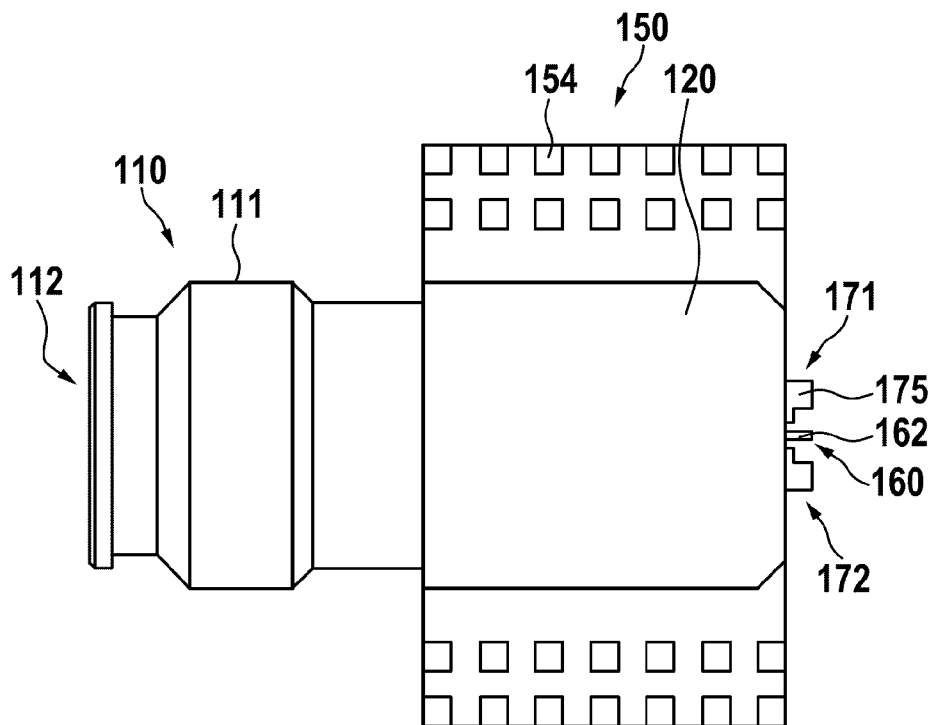
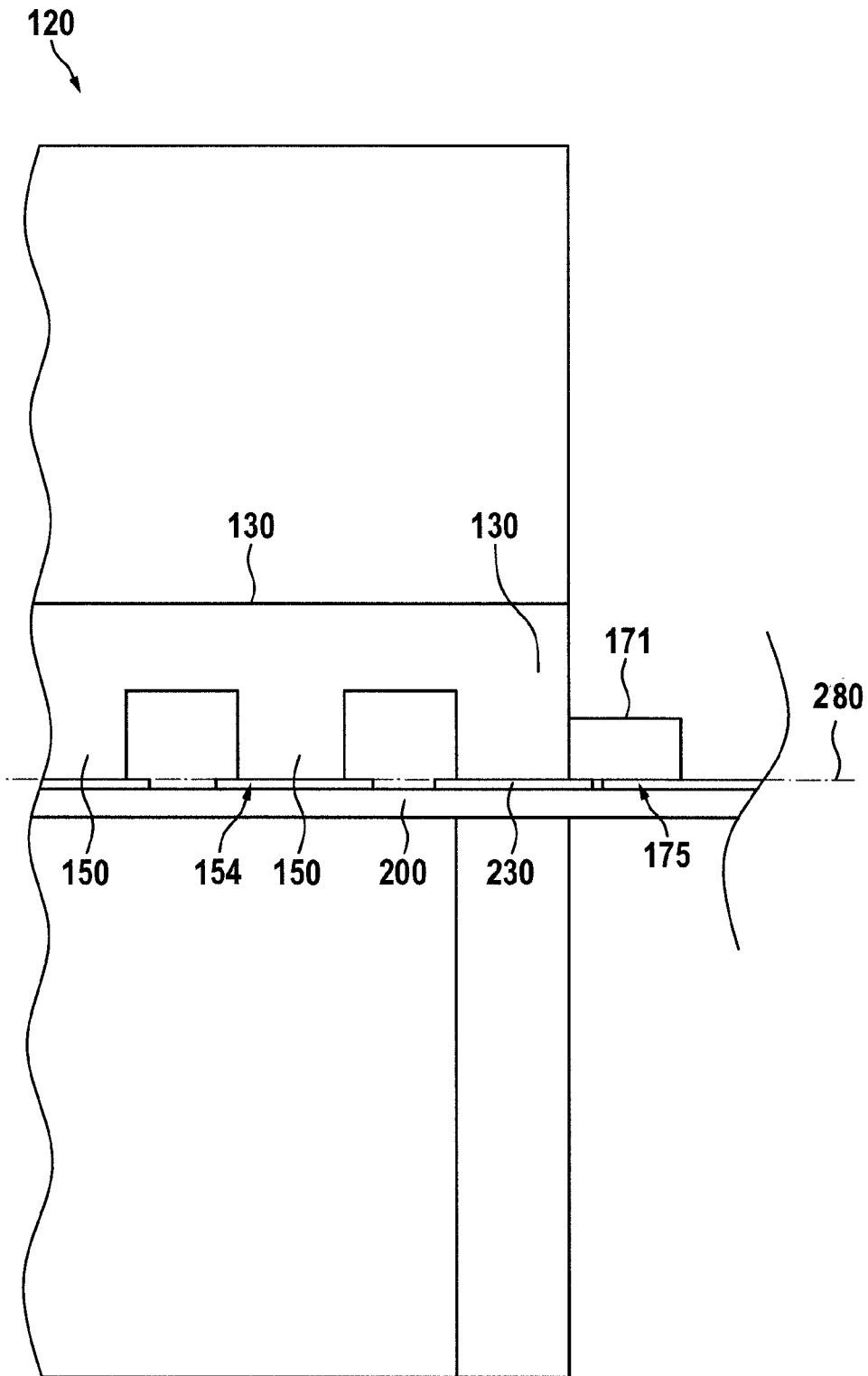


Fig. 9



INTERNATIONAL SEARCH REPORT

International application No  
PCT/EP2018/068205

A. CLASSIFICATION OF SUBJECT MATTER  
 INV. H01R24/44 H01R24/50 H01R13/6473 H01R9/05  
 ADD. H01R103/00 H01R12/70

According to International Patent Classification (IPC) or to both national classification and IPC

B. FIELDS SEARCHED

Minimum documentation searched (classification system followed by classification symbols)  
 H01R

Documentation searched other than minimum documentation to the extent that such documents are included in the fields searched

Electronic data base consulted during the international search (name of data base and, where practicable, search terms used)  
 EPO-Internal, WPI Data

C. DOCUMENTS CONSIDERED TO BE RELEVANT		
Category*	Citation of document, with indication, where appropriate, of the relevant passages	Relevant to claim No.
X	US 5 897 384 A (HOSLER SR ROBERT CRAIG [US]) 27 April 1999 (1999-04-27)	1-6
Y	figure 2	7-9
Y	----- WO 2005/109577 A2 (EMERSON NETWORK POWER CONNECTI [US]; KEREKES JIM [US]) 17 November 2005 (2005-11-17) figures 2, 9	7-9
A	----- US 2014/342581 A1 (CLYATT CLARENCE L [US] ET AL) 20 November 2014 (2014-11-20) figure 3	1-9
A	----- US 2013/115787 A1 (KANDA HIDENORI [JP]) 9 May 2013 (2013-05-09) figures 6, 10, 11	1-9
	----- -/--	

Further documents are listed in the continuation of Box C.

See patent family annex.

\* Special categories of cited documents :

"A" document defining the general state of the art which is not considered to be of particular relevance

"E" earlier application or patent but published on or after the international filing date

"L" document which may throw doubts on priority claim(s) or which is cited to establish the publication date of another citation or other special reason (as specified)

"O" document referring to an oral disclosure, use, exhibition or other means

"P" document published prior to the international filing date but later than the priority date claimed

"T" later document published after the international filing date or priority date and not in conflict with the application but cited to understand the principle or theory underlying the invention

"X" document of particular relevance; the claimed invention cannot be considered novel or cannot be considered to involve an inventive step when the document is taken alone

"Y" document of particular relevance; the claimed invention cannot be considered to involve an inventive step when the document is combined with one or more other such documents, such combination being obvious to a person skilled in the art

"&" document member of the same patent family

Date of the actual completion of the international search  10 September 2018	Date of mailing of the international search report  18/09/2018
Name and mailing address of the ISA/ European Patent Office, P.B. 5818 Patentlaan 2 NL - 2280 HV Rijswijk Tel. (+31-70) 340-2040, Fax: (+31-70) 340-3016	Authorized officer  Alberti, Michele

INTERNATIONAL SEARCH REPORT

International application No  
PCT/EP2018/068205

C(Continuation). DOCUMENTS CONSIDERED TO BE RELEVANT		
Category*	Citation of document, with indication, where appropriate, of the relevant passages	Relevant to claim No.
A	US 6 053 744 A (GRAY IAN JAMES STAFFORDRD [GB] ET AL) 25 April 2000 (2000-04-25) figure 1	1-9
A	----- US 8 152 534 B1 (LI ERIC S [TW] ET AL) 10 April 2012 (2012-04-10) figure 3C -----	1-9

# INTERNATIONAL SEARCH REPORT

Information on patent family members

International application No PCT/EP2018/068205
---

Patent document cited in search report	Publication date	Patent family member(s)	Publication date
US 5897384	A	27-04-1999	NONE
-----			
WO 2005109577	A2	17-11-2005	CN 1993866 A 04-07-2007
			EP 1743401 A2 17-01-2007
			HK 1102872 A1 23-10-2009
			US 2005245110 A1 03-11-2005
			WO 2005109577 A2 17-11-2005
-----			
US 2014342581	A1	20-11-2014	FR 3003405 A3 19-09-2014
			US 2014342581 A1 20-11-2014
-----			
US 2013115787	A1	09-05-2013	CN 103004034 A 27-03-2013
			JP 5756608 B2 29-07-2015
			JP 2012022929 A 02-02-2012
			US 2013115787 A1 09-05-2013
			WO 2012008522 A1 19-01-2012
-----			
US 6053744	A	25-04-2000	NONE
-----			
US 8152534	B1	10-04-2012	TW 201216568 A 16-04-2012
			US 8152534 B1 10-04-2012
-----			