



US00D978314S

(12) **United States Design Patent** (10) **Patent No.:** **US D978,314 S**
Szaratta (45) **Date of Patent:** **** Feb. 14, 2023**

(54) **AIR FILTER FOR VEHICLES**
(71) Applicant: **Rolfhartge GmbH, Überherrn (DE)**
(72) Inventor: **Marc Szaratta, Überherrn (DE)**
(**) Term: **15 Years**
(21) Appl. No.: **35/513,595**
(22) Filed: **Dec. 14, 2020**

(80) **Hague Agreement Data**
Int. Filing Date: **Dec. 14, 2020**
Int. Reg. No.: **DM/218705**
Int. Reg. Date: **Dec. 14, 2020**
Int. Reg. Pub. Date: **Feb. 11, 2022**

(51) **LOC (14) Cl.** **23-04**
(52) **U.S. Cl.**
USPC **D23/364**
(58) **Field of Classification Search**
USPC D23/332-335, 337, 342, 352, 355-366,
D23/369-370
CPC ... F24F 3/16; F24F 13/20; F24F 13/28; B03C
3/155; B03C 3/368; B01D 47/00; B01D
47/027; B01D 2259/4508; A61L 9/00;
A61L 9/22

See application file for complete search history.

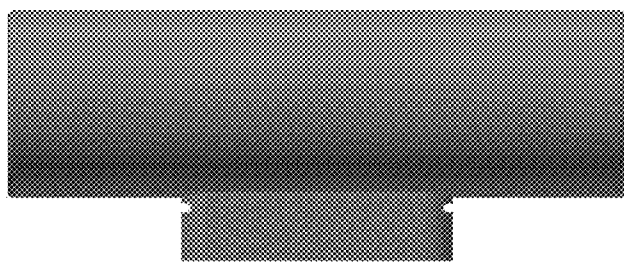
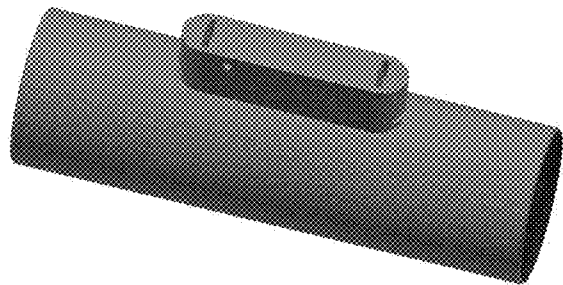
(56) **References Cited**
U.S. PATENT DOCUMENTS
5,833,740 A * 11/1998 Brais F24F 3/16
96/62
6,939,397 B2 * 9/2005 Nelsen B03C 3/32
422/124
D604,814 S * 11/2009 Lee D23/314
D818,098 S * 5/2018 Cho D23/364
D843,554 S * 3/2019 Engelhard D23/364
D881,366 S * 4/2020 Kihm D23/366
D963,831 S * 9/2022 Lee D23/366

* cited by examiner
Primary Examiner — Michael A. Pratt

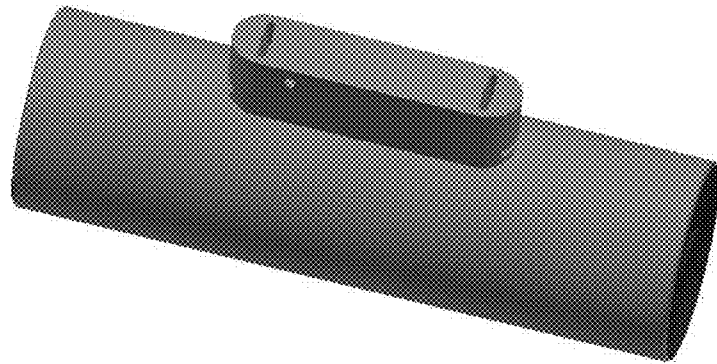
(57) **CLAIM**
The ornamental design for an air filter for vehicles, as shown
and described.

DESCRIPTION
1. Air filter for vehicles
1.1: Perspective
1.2: Bottom
1.3: Side
1.4: Perspective
1.5: Perspective
1.6: Front
1.7: Top

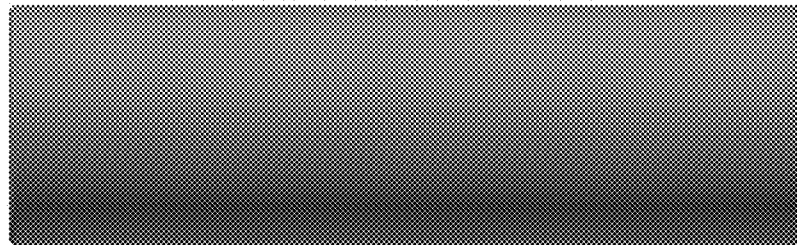
1 Claim, 7 Drawing Sheets



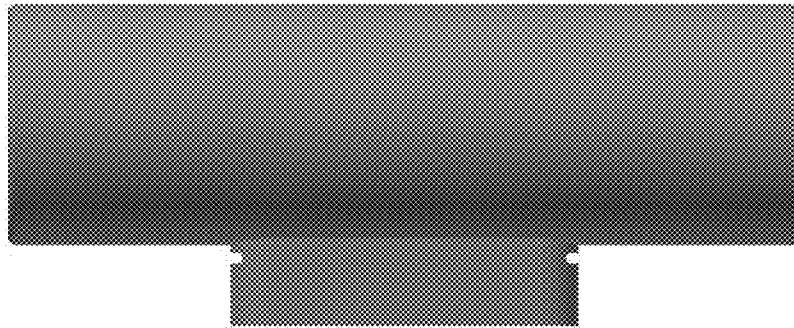
1.1



1.2



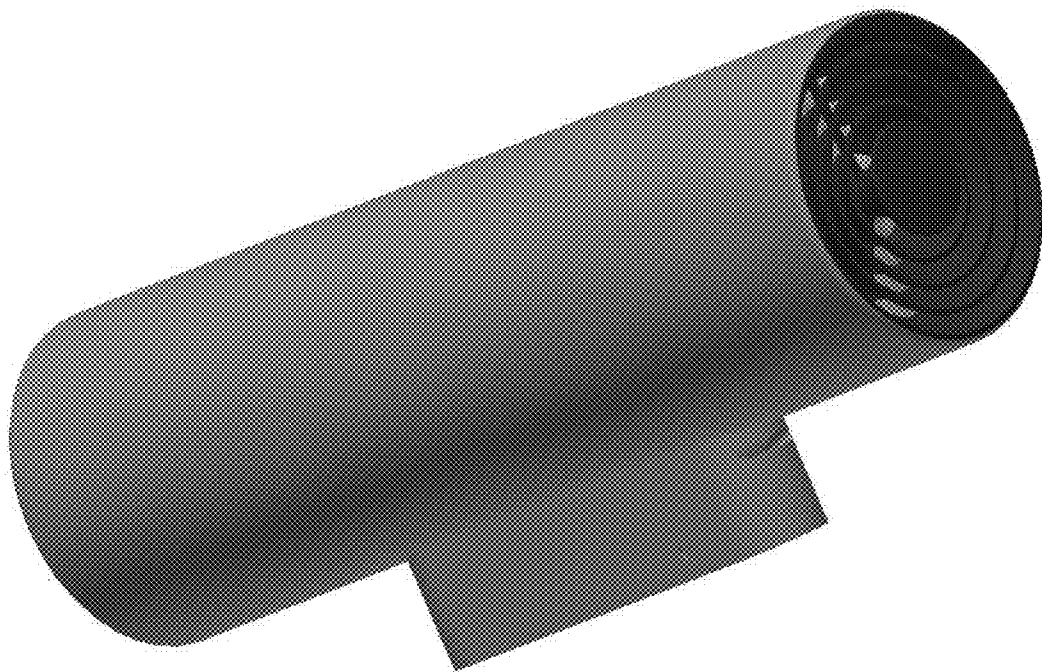
1.3



1.4



1.5



1.6



1.7

