

(19) World Intellectual Property Organization
International Bureau



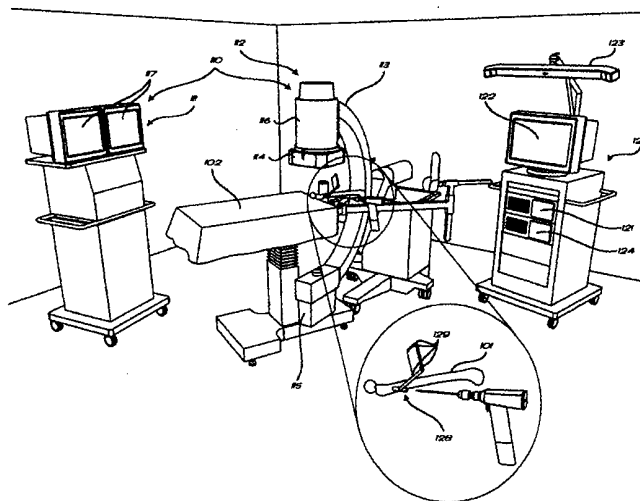
(43) International Publication Date
17 August 2000 (17.08.2000)

PCT

(10) International Publication Number
WO 00/47103 A3

- (51) International Patent Classification⁷: **A61B 5/05**
- (21) International Application Number: PCT/US00/03570
- (22) International Filing Date: 10 February 2000 (10.02.2000)
- (25) Filing Language: English
- (26) Publication Language: English
- (30) Priority Data:
09/248,133 10 February 1999 (10.02.1999) US
- (71) Applicant: **SURGICAL INSIGHTS, INC.** [US/US];
1840 Oak Avenue, Evanston, IL 60201 (US).
- (72) Inventors: **KIENZLE, Thomas, C., III**; 558 Ivy Court,
Lake Forest, IL 60045 (US). **LEA, Jon, T.**; 13260 Hieden
Circle, Lake Bluff, IL 60044 (US).
- (74) Agents: **FASSNACHT, Harold, J.** et al.; Bullwinkel Part-
ners, Ltd., Suite 1300, 19 S. LaSalle Street, Chicago, IL
60603-1493 (US).
- (81) Designated States (*national*): AU, BR, CA, CN, IL, IN,
JP, KR, MX, ZA.
- (84) Designated States (*regional*): Eurasian patent (AM, AZ,
BY, KG, KZ, MD, RU, TJ, TM), European patent (AT, BE,
CH, CY, DE, DK, ES, FI, FR, GB, GR, IE, IT, LU, MC,
NL, PT, SE).
- Published:**
— With international search report.
- (88) Date of publication of the international search report:
30 November 2000
- For two-letter codes and other abbreviations, refer to the "Guidance Notes on Codes and Abbreviations" appearing at the beginning of each regular issue of the PCT Gazette.*

(54) Title: COMPUTER ASSISTED TARGETING DEVICE FOR USE IN ORTHOPAEDIC SURGERY



(57) **Abstract:** The patient is placed on a standard surgical table (102) so as to provide access to the body part (101) to be operated upon. A mobile fluoroscopic x-ray imaging device (110) with a flat panel x-ray imagery (114) is used to obtain multiple images of the patient's bony anatomy (101). A mobile fluoroscopic x-ray imaging device (110) with a flat panel x-ray imagery (114) is used to obtain multiple images of the patient's bony anatomy (101). The images are then supplied to the system controller (121). A surgical tool (128) containing a plurality of localizing emitters (129) is used in the performance of the surgical procedure. A system controller (121) then displays on the system monitor (122) the images of the patient's anatomy superimposed with representations of the surgical tool (128).



WO 00/47103 A3

INTERNATIONAL SEARCH REPORT

International application No.
PCT/US00/03570

A. CLASSIFICATION OF SUBJECT MATTER
 IPC(7) : A61B 5/05
 US CL : 600/427
 According to International Patent Classification (IPC) or to both national classification and IPC

B. FIELDS SEARCHED
 Minimum documentation searched (classification system followed by classification symbols)
 U.S. : 128/849, 853, 856; 356/141.1, 205-207, 375; 378/20; 600/426, 427; 606/130

Documentation searched other than minimum documentation to the extent that such documents are included in the fields searched

Electronic data base consulted during the international search (name of data base and, where practicable, search terms used)

C. DOCUMENTS CONSIDERED TO BE RELEVANT

Category*	Citation of document, with indication, where appropriate, of the relevant passages	Relevant to claim No.
X --- Y	US 5,772,594 A (BARRICK) 30 June 1998, entire document.	1-20, 34, 52, 70-72, 74-76 ----- 21-33, 53, 54, 73
Y	US 5,490,524 A (WILLIAMS et al.) 13 February 1996, entire document.	65-69
Y	US 5,622,170 A (SCHULZ) 22 April 1997, entire document.	35-37, 40-41, 43-51
Y	US 5,638,819 A (MANWARING et al.) 17 June 1997, entire document.	38, 39, 42, 55-64

Further documents are listed in the continuation of Box C. See patent family annex.

* Special categories of cited documents:	"T" later document published after the international filing date or priority date and not in conflict with the application but cited to understand the principle or theory underlying the invention
"A" document defining the general state of the art which is not considered to be of particular relevance	"X" document of particular relevance; the claimed invention cannot be considered novel or cannot be considered to involve an inventive step when the document is taken alone
"E" earlier document published on or after the international filing date	"Y" document of particular relevance; the claimed invention cannot be considered to involve an inventive step when the document is combined with one or more other such documents, such combination being obvious to a person skilled in the art
"L" document which may throw doubts on priority claim(s) or which is cited to establish the publication date of another citation or other special reason (as specified)	"&" document member of the same patent family
"O" document referring to an oral disclosure, use, exhibition or other means	
"P" document published prior to the international filing date but later than the priority date claimed	

Date of the actual completion of the international search 10 JUNE 2000	Date of mailing of the international search report 01 AUG 2000
---	--

Name and mailing address of the ISA/US Commissioner of Patents and Trademarks Box PCT Washington, D.C. 20231 Facsimile No. (703) 305-3230	Authorized officer <i>Eleni Mantis Mercader</i> ELENI MANTIS MERCADER Telephone No. (703) 308-0899
---	---