



US0D1045877S

(12) **United States Design Patent**
Piper et al.

(10) **Patent No.:** **US D1,045,877 S**

(45) **Date of Patent:** **** Oct. 8, 2024**

(54) **CASE FOR PORTABLE ELECTRONIC DEVICE**

(71) Applicant: **Pioneer Square Brands, Inc.**, High Point, NC (US)

(72) Inventors: **Brian Lewis Piper**, Seattle, WA (US);
Sudeep Balkrishna Agalgaonkar, Jamestown, NC (US)

(73) Assignee: **Pioneer Square Brands, Inc.**, High Point, NC (US)

(**) Term: **15 Years**

(21) Appl. No.: **29/953,271**

(22) Filed: **Jul. 20, 2024**

(51) **LOC (14) Cl.** **14-02**

(52) **U.S. Cl.**

USPC **D14/440**

(58) **Field of Classification Search**

USPC D14/440, 447, 250
CPC ... G06F 1/1628; G06F 1/1626; A47B 23/044;
A45C 11/00

See application file for complete search history.

(56) **References Cited**

U.S. PATENT DOCUMENTS

D681,641 S	5/2013	Van Den Nieuwenhuizen et al.
D721,080 S	1/2015	Mecchella et al.
D724,093 S	3/2015	Dong
D727,915 S	4/2015	Mecchella et al.
D789,937 S	6/2017	Zhang
D801,976 S	11/2017	Li
D808,395 S	1/2018	Fenton
D810,732 S	2/2018	Fenton et al.
D812,620 S	3/2018	Cheng
D816,087 S	4/2018	Fenton et al.
D816,088 S	4/2018	Fenton et al.
D817,334 S	5/2018	Fenton et al.

D819,038 S	5/2018	Diebel	
D837,796 S	1/2019	Kim et al.	
D852,201 S	1/2019	Chan et al.	
D841,012 S	2/2019	Kim et al.	
D841,013 S	2/2019	Ferren et al.	
D861,698 S	2/2019	Fenton et al.	
D844,611 S *	4/2019	Ferren	D14/455
D848,441 S	5/2019	Ferren et al.	
D850,454 S	6/2019	Kim et al.	
D852,199 S	6/2019	Kim et al.	
D852,200 S	6/2019	Chan et al.	
D852,507 S	7/2019	Fenton et al.	
D852,799 S	7/2019	Fenton et al.	
D863,314 S	7/2019	Chan et al.	
D863,315 S	7/2019	Chan et al.	
D864,210 S	7/2019	Chan et al.	
D861,001 S	9/2019	Fenton et al.	
D863,316 S	9/2019	Chan et al.	
D862,480 S	10/2019	Chan et al.	

(Continued)

Primary Examiner — Cynthia R Underwood

(74) *Attorney, Agent, or Firm* — Grandview Law

(57)

CLAIM

The ornamental design for a case for portable electronic device, as shown and described.

DESCRIPTION

FIG. 1 is a rear perspective view of case for portable electronic device showing our new design.

FIG. 2 is a right elevational view thereof.

FIG. 3 is a left elevational view thereof.

FIG. 4 is a top plan view thereof.

FIG. 5 is a bottom plan view thereof.

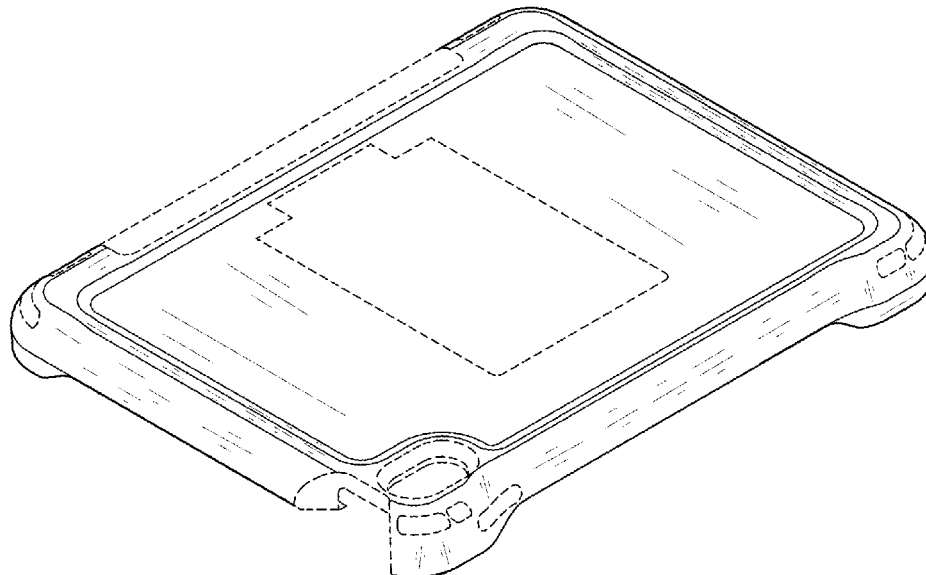
FIG. 6 is a rear elevational view thereof.

FIG. 7 is a front elevational view thereof; and,

FIG. 8 is a front perspective view thereof.

The broken lines in the drawing figures depict portions of the case for portable electronic device that form no part of the claimed design.

1 Claim, 8 Drawing Sheets



(56)

References Cited

U.S. PATENT DOCUMENTS

D863,317 S	10/2019	Piper et al.	
D868,788 S	12/2019	Weng	
D872,070 S	1/2020	Fenton et al.	
D874,467 S	2/2020	Piper et al.	
D877,509 S	3/2020	Kilkenny	
D877,726 S	3/2020	Fenton et al.	
D880,159 S	4/2020	Fenton et al.	
D881,895 S	4/2020	Liu	
D887,415 S	6/2020	Claudepierre et al.	
D887,709 S	6/2020	Fenton et al.	
D887,710 S	6/2020	Chan et al.	
D888,062 S	6/2020	Piper et al.	
D888,063 S	6/2020	Chan et al.	
D888,428 S	6/2020	Chan et al.	
D888,720 S	6/2020	Moore	
D892,806 S	8/2020	Manzano et al.	
D895,630 S	9/2020	Piper et al.	
D897,092 S	9/2020	Chan et al.	
D902,215 S	11/2020	Quan	
D902,934 S	11/2020	Manzano et al.	
D908,708 S	1/2021	Miller et al.	
D913,295 S *	3/2021	Piper	D14/440
D920,337 S	5/2021	Chan et al.	
D920,983 S	6/2021	Chan et al.	
D922,392 S	6/2021	Chan et al.	
D924,876 S *	7/2021	Chan	D14/440
D926,194 S	7/2021	Piper et al.	
D930,002 S	9/2021	Zhou	
D932,493 S	10/2021	Xiong	
D933,074 S	10/2021	Hu	
D934,262 S	10/2021	Manzano et al.	
D940,145 S	1/2022	Zhang	
D943,591 S	2/2022	Zhu	
D943,593 S	2/2022	Piper	
D941,823 S	6/2022	Hu	
D963,654 S	9/2022	Yan	
D964,994 S	9/2022	Chan et al.	
D964,995 S	9/2022	Troedson et al.	
D964,996 S	9/2022	Piper	
D964,997 S	9/2022	Chan	
D964,998 S	9/2022	Troedson et al.	
D965,599 S	10/2022	Piper	
D966,272 S	10/2022	Chan	
D966,273 S	10/2022	Chan et al.	
D967,112 S	10/2022	Troedson et al.	
D967,114 S	10/2022	Piper	
D967,828 S	10/2022	Cheng	
D967,830 S	10/2022	Cheng	
D969,134 S	11/2022	Chan	
D970,510 S	11/2022	Cheng	
D971,221 S	11/2022	Chan et al.	
D971,924 S	12/2022	Zhou	
D972,574 S	12/2022	Li	
D973,058 S	12/2022	Li	
D973,666 S	12/2022	Ma	
D973,667 S	12/2022	Ma	
D973,669 S	12/2022	Piper	
D976,914 S	1/2023	Huang	
D977,487 S	2/2023	Troedson et al.	
D978,154 S	2/2023	Gao	
D978,864 S	2/2023	Long	
D978,868 S	2/2023	Gao	
D980,225 S	3/2023	Cheng	
D981,417 S	3/2023	Shah et al.	
D981,418 S	3/2023	Lin	
D982,589 S *	4/2023	Troedson	D14/440
D982,590 S *	4/2023	Troedson	D14/440
D985,000 S	5/2023	Cheng	
D985,568 S *	5/2023	Chan	D14/440
D986,865 S	5/2023	Shannon, III	
D986,897 S *	5/2023	Troedson	D14/440
D988,329 S *	6/2023	Troedson	D14/440
D989,081 S *	6/2023	Piper	D14/440
D994,674 S	8/2023	Sun	
D1,003,297 S	10/2023	Xu	
D1,003,300 S	10/2023	Cheng	
D1,016,820 S *	3/2024	Lin	D14/440
D1,020,763 S	4/2024	Wang et al.	
D1,023,012 S	4/2024	Lin	
D1,023,014 S	4/2024	Troedson et al.	
D1,023,015 S	4/2024	Wu	
D1,024,078 S	4/2024	Ding et al.	
D1,024,081 S	4/2024	Zhang	
D1,033,438 S	7/2024	Dong et al.	
D1,033,439 S	7/2024	Cheng	
D1,034,611 S	7/2024	Mo	
D1,034,614 S	7/2024	Giazzon	
D1,034,614 S *	7/2024	Giazzon	D14/440
D1,034,615 S	7/2024	Dong	
D1,035,668 S	7/2024	Xu	
D1,037,260 S *	7/2024	Haskins	D14/440

* cited by examiner

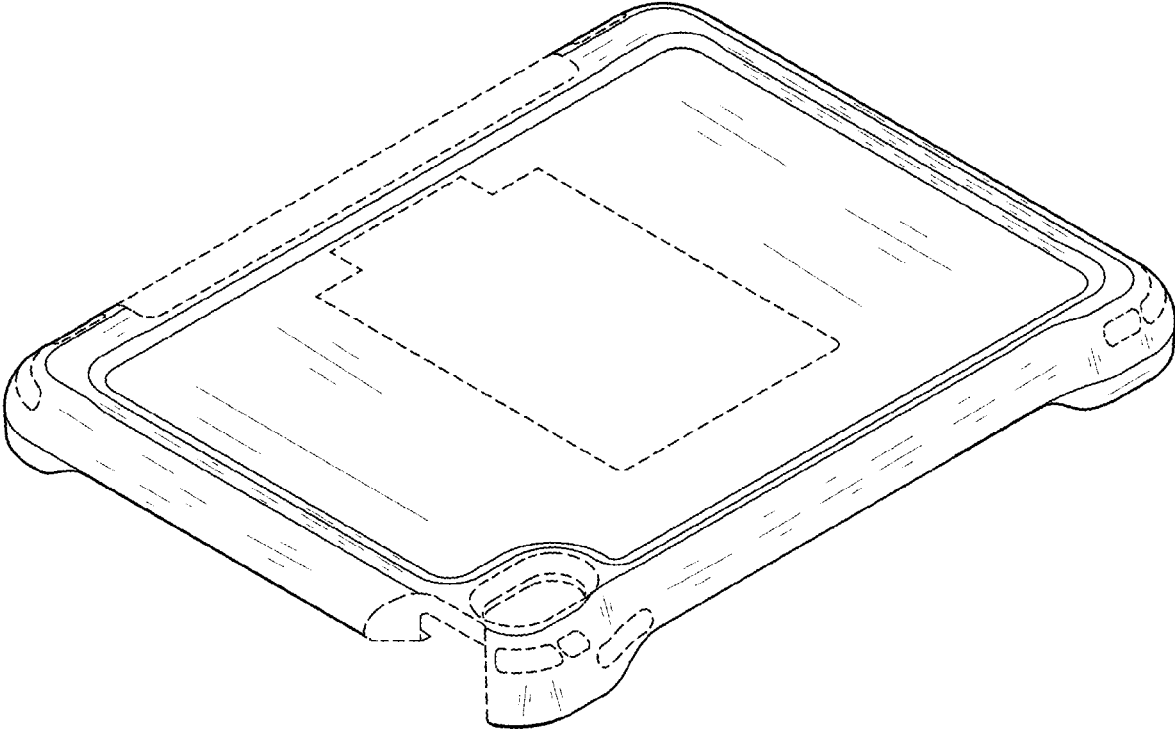


Fig. 1

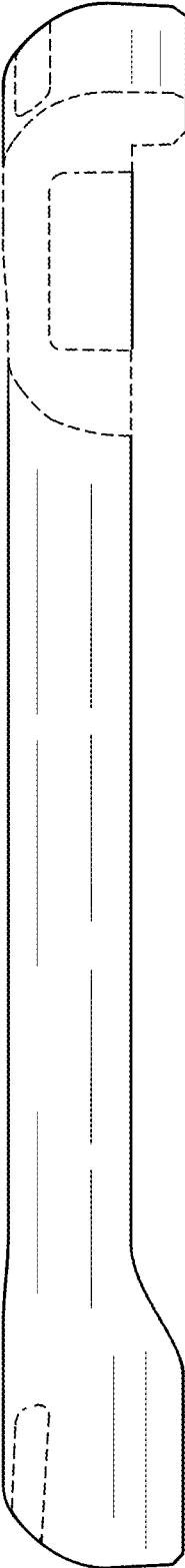


Fig. 2

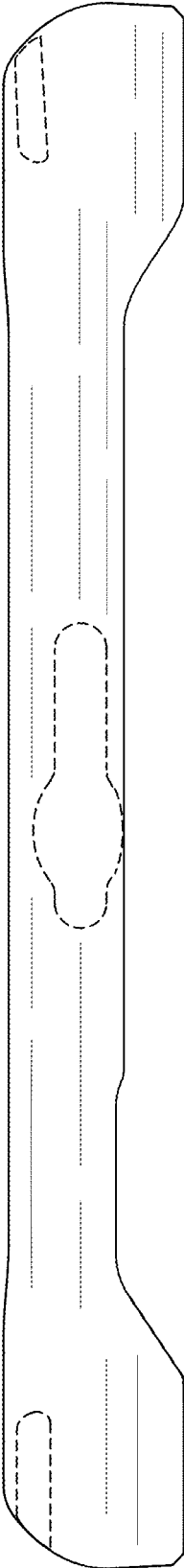


Fig. 3

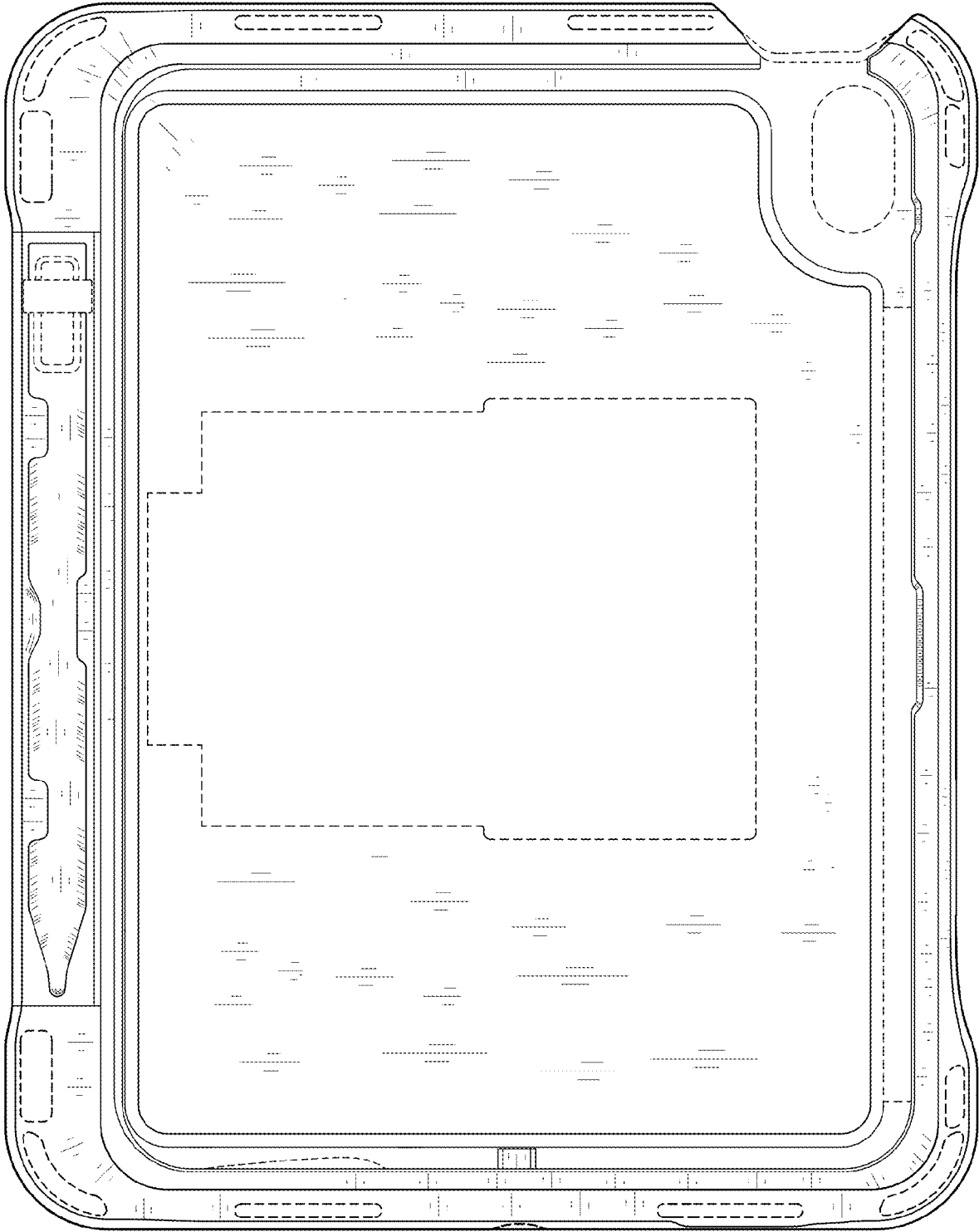


Fig.4

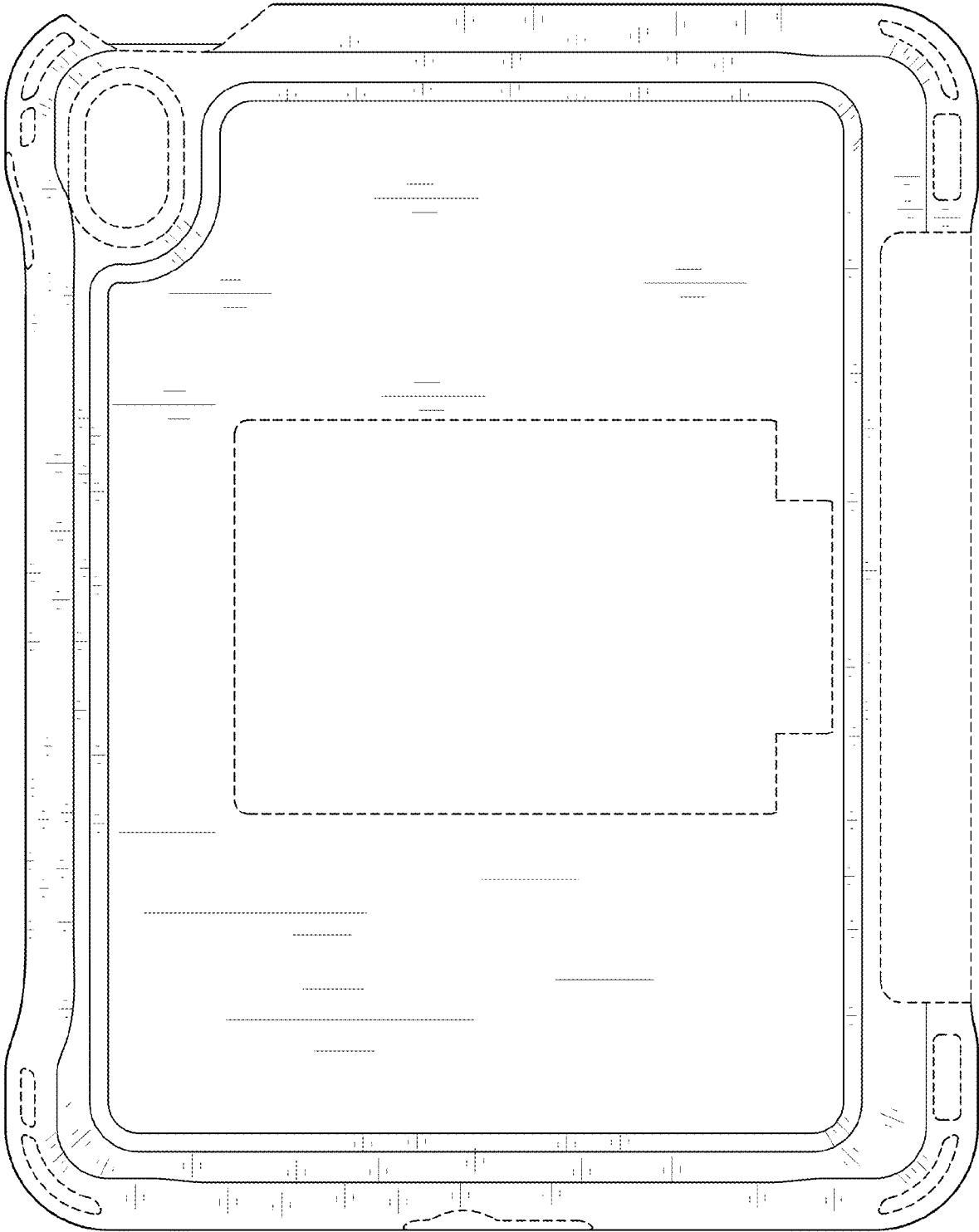


Fig. 5

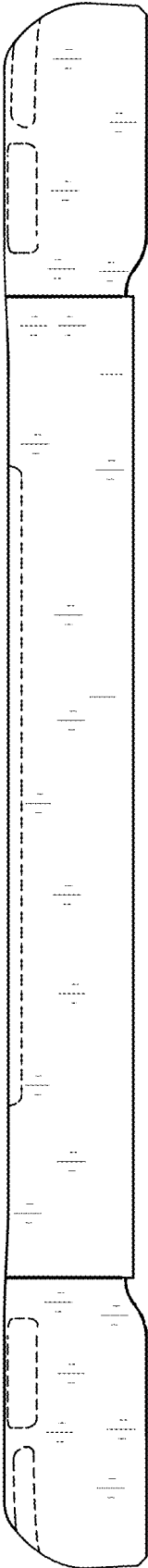


Fig. 6

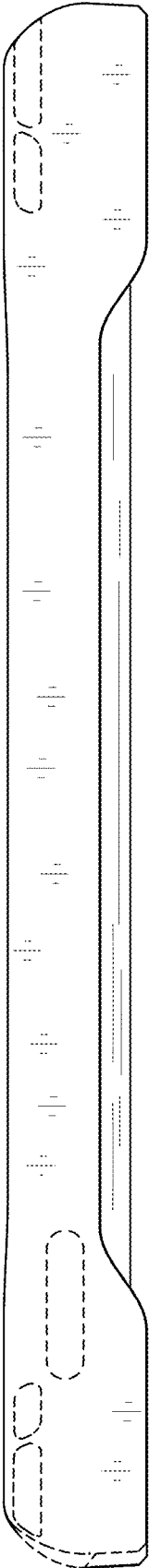


Fig. 7

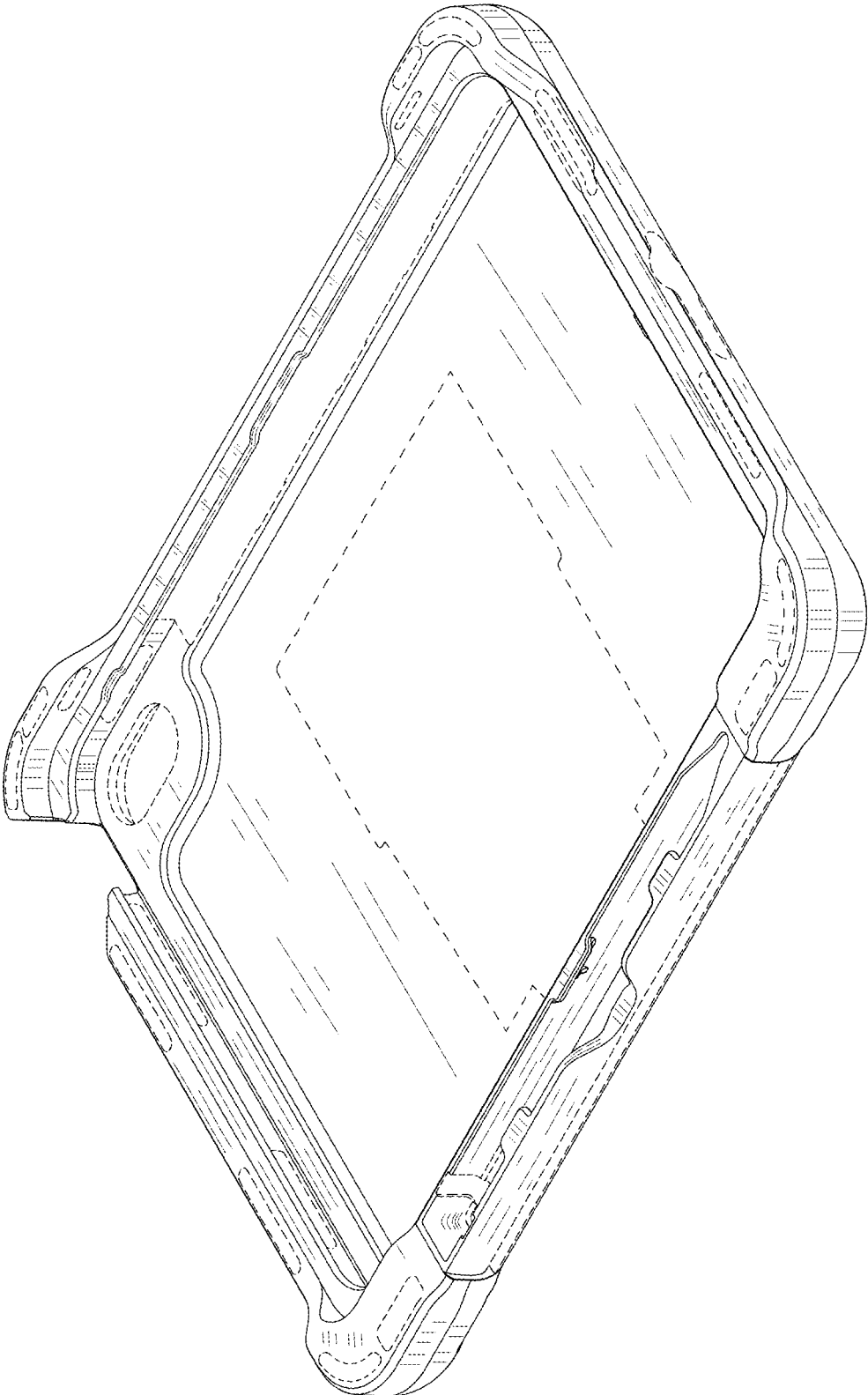


Fig. 8