



US00D831759S

(12) **United States Design Patent**
Cerreta

(10) **Patent No.:** **US D831,759 S**

(45) **Date of Patent:** **** Oct. 23, 2018**

(54) **FINGER AND HAND EXERCISER**

(71) Applicant: **Ronald Cerreta**, Katy, TX (US)

(72) Inventor: **Ronald Cerreta**, Katy, TX (US)

(**) Term: **15 Years**

(21) Appl. No.: **29/599,726**

(22) Filed: **Apr. 6, 2017**

(51) **LOC (11) Cl.** **21-02**

(52) **U.S. Cl.**
USPC **D21/684**

(58) **Field of Classification Search**
USPC 482/47, 45, 49, 48, 44, 121, 105, 122,
482/128, 112, 141, 51, 66, 70, 126, 46,
482/107, 8, 901, 139, 108, 82, 106, 594,
482/124, 131, 11, 93, 97; D21/684, 692,
D21/662, 679, 693, 714, 682, 807, 532;
411/56, 58; D8/10, 303; D24/211, 188
CPC . A63B 23/16; A63B 21/4035; A63B 21/0004;
A63B 21/4017; A63B 21/072; A63B
21/4019
See application file for complete search history.

5,147,256 A * 9/1992 Silagy A63B 23/16
482/128

D352,754 S 11/1994 Silagy

5,431,611 A * 7/1995 Silagy A63B 23/16
482/122

D385,603 S * 10/1997 Ditsch D21/684

5,690,585 A * 11/1997 Ditsch A63B 23/16
482/121

D405,134 S * 2/1999 Hug D21/684

D416,299 S * 11/1999 Hug D21/684

D418,180 S * 12/1999 Hug D21/684

D418,560 S * 1/2000 Hug D21/684

(Continued)

OTHER PUBLICATIONS

Gripmaster by Amazon dated Jan. 20, 2008. Found online [May 31, 2018] <https://tinyuri.com/y8jaus4x>.*

(Continued)

Primary Examiner — Philip S Hyder
Assistant Examiner — Ryan Harvey
 (74) *Attorney, Agent, or Firm* — Dunlap Bennett & Ludwig PLLC

(57) **CLAIM**

The ornamental design for a finger and hand exerciser, as shown and described.

DESCRIPTION

FIG. 1 is a top front perspective view of a finger and hand exerciser, showing my new design;
 FIG. 2 is a front view thereof;
 FIG. 3 is a right side elevation view thereof;
 FIG. 4 is a top plan view thereof;
 FIG. 5 is a bottom plan view thereof;
 FIG. 6 is a rear view thereof;
 FIG. 7 is a left side view thereof; and,
 FIG. 8 is a bottom front perspective view of the finger and hand exerciser.

1 Claim, 1 Drawing Sheet

(56) **References Cited**

U.S. PATENT DOCUMENTS

1,229,658 A * 6/1917 Sandow A63B 21/0726
43/23

1,796,216 A * 3/1931 Pettersson A63B 23/16
482/47

2,837,334 A * 6/1958 Long A63B 23/16
482/49

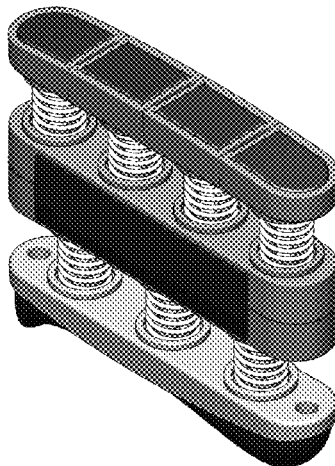
3,447,415 A * 6/1969 Kime G09B 15/06
267/177

3,738,651 A * 6/1973 Norman A63B 23/16
482/128

4,678,181 A * 7/1987 Ditsch A63B 23/16
482/128

D294,614 S * 3/1988 Ditsch D21/684

D325,411 S * 4/1992 Everly D21/684



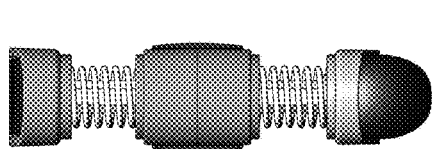


FIG. 7

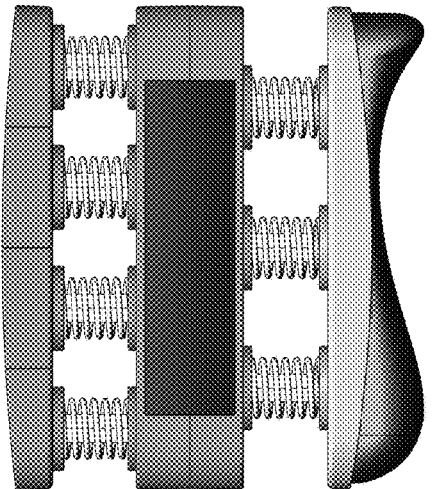


FIG. 6

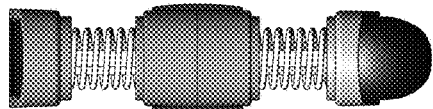


FIG. 3

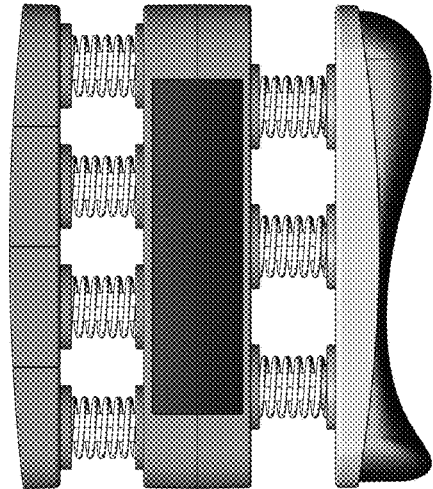


FIG. 2

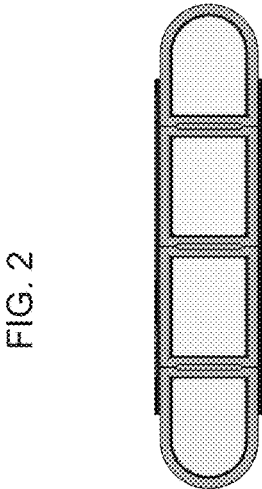


FIG. 4

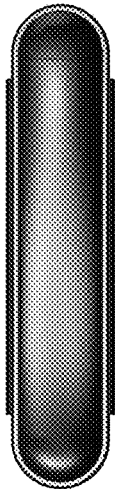


FIG. 5

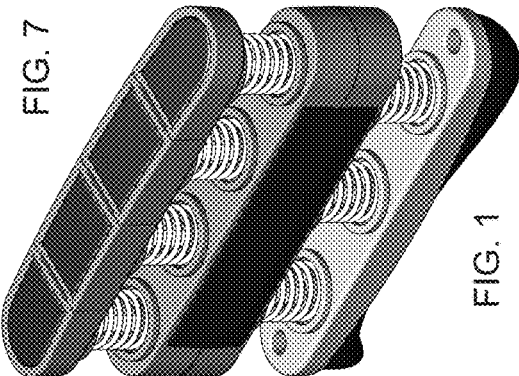


FIG. 1

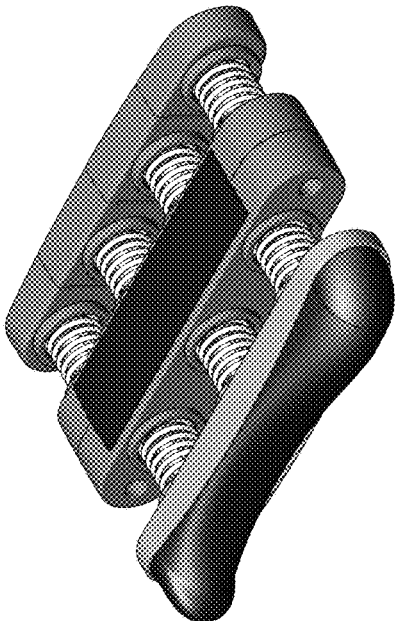


FIG. 8