



- (51) International Patent Classification:  
G01N 1/28 (2006.01) G01N 1/22 (2006.01)
- (21) International Application Number:  
PCT/US2011/022824
- (22) International Filing Date:  
28 January 2011 (28.01.2011)
- (25) Filing Language: English
- (26) Publication Language: English
- (30) Priority Data:  
12/700,317 4 February 2010 (04.02.2010) US
- (71) Applicant (for all designated States except US):  
CAMERON INTERNATIONAL CORPORATION  
[US/US]; 1333 West Loop South, Suite 1700, Houston,  
Texas 77027 (US).
- (72) Inventor; and
- (75) Inventor/Applicant (for US only): SMITH, Stevie Horton  
[US/US]; P.O. Box 278, Seabrook, Texas 77586  
(US).
- (74) Agent: FALESKI, Thaddeus J.; Conley Rose, P.C., P.O.  
Box 3267, Houston, Texas 77253-3267 (US).
- (81) Designated States (unless otherwise indicated, for every  
kind of national protection available): AE, AG, AL, AM,  
AO, AT, AU, AZ, BA, BB, BG, BH, BR, BW, BY, BZ,  
CA, CH, CL, CN, CO, CR, CU, CZ, DE, DK, DM, DO,  
DZ, EC, EE, EG, ES, FI, GB, GD, GE, GH, GM, GT,  
HN, HR, HU, ID, IL, IN, IS, JP, KE, KG, KM, KN, KP,  
KR, KZ, LA, LC, LK, LR, LS, LT, LU, LY, MA, MD,  
ME, MG, MK, MN, MW, MX, MY, MZ, NA, NG, NI,  
NO, NZ, OM, PE, PG, PH, PL, PT, RO, RS, RU, SC, SD,  
SE, SG, SK, SL, SM, ST, SV, SY, TH, TJ, TM, TN, TR,  
TT, TZ, UA, UG, US, UZ, VC, VN, ZA, ZM, ZW.
- (84) Designated States (unless otherwise indicated, for every  
kind of regional protection available): ARIPO (BW, GH,  
GM, KE, LR, LS, MW, MZ, NA, SD, SL, SZ, TZ, UG,  
ZM, ZW), Eurasian (AM, AZ, BY, KG, KZ, MD, RU, TJ,  
TM), European (AL, AT, BE, BG, CH, CY, CZ, DE, DK,  
EE, ES, FI, FR, GB, GR, HR, HU, IE, IS, IT, LT, LU,  
LV, MC, MK, MT, NL, NO, PL, PT, RO, RS, SE, SI, SK,  
SM, TR), OAPI (BF, BJ, CF, CG, CI, CM, GA, GN, GQ,  
GW, ML, MR, NE, SN, TD, TG).

[Continued on next page]

(54) Title: APPARATUS, SYSTEMS AND METHODS FOR SAMPLING AND CONDITIONING A FLUID

(57) Abstract: A system of sampling a fluid comprises a fluid separator having a central axis. The fluid separator includes an insulating sleeve. In addition the fluid separator includes a separator assembly coaxially disposed within the sleeve. Further, the fluid separator includes an annulus radially disposed between the sleeve and the separator assembly. The separator assembly includes a conduit, a support rod coaxially disposed within the conduit, and a plurality of separator members coupled to the support rod within the conduit.

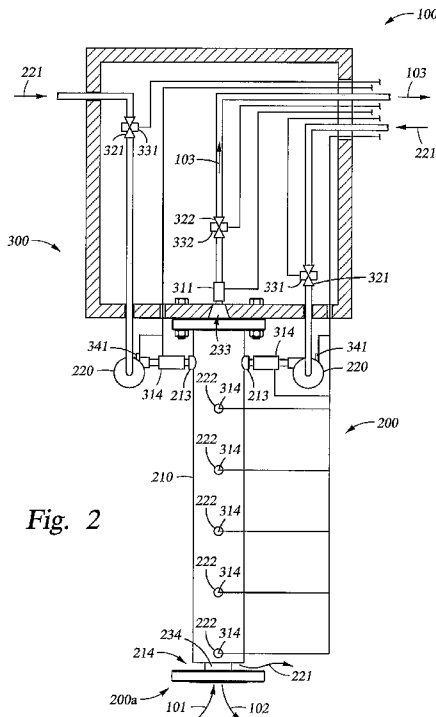


Fig. 2

WO 2011/097122 A3



**Published:**

**(88) Date of publication of the international search report:**

24 November 2011

- *with international search report (Art. 21(3))*
- *before the expiration of the time limit for amending the claims and to be republished in the event of receipt of amendments (Rule 48.2(h))*

## INTERNATIONAL SEARCH REPORT

International application No.  
**PCT/US2011/022824****A. CLASSIFICATION OF SUBJECT MATTER****G01N 1/28(2006.01)i, G01N 1/22(2006.01)i**

According to International Patent Classification (IPC) or to both national classification and IPC

**B. FIELDS SEARCHED**

Minimum documentation searched (classification system followed by classification symbols)

G01N 1/28; G01N 1/20; G01N 1/26; G01N 1/10; G01N 1/22; G01N 1/2/0

Documentation searched other than minimum documentation to the extent that such documents are included in the fields searched

Korean utility models and applications for utility models

Japanese utility models and applications for utility models

Electronic data base consulted during the international search (name of data base and, where practicable, search terms used)

eKOMPASS(KIPO internal) &amp; Keywords: fluid sampling, fluid separator and conduit.

**C. DOCUMENTS CONSIDERED TO BE RELEVANT**

Category*	Citation of document, with indication, where appropriate, of the relevant passages	Relevant to claim No.
A	US 6205869 B1 (SCHADT; JOHN C. et al.) 27 March 2001 See column 7, line 54 - column 8, line 26; claims 1-2 and figure 3.	1-47
A	US 05837203A A (GODEC; RICHARD D. et al.) 17 November 1998 See column 6, line 36 - column 8, line 2; claim 1 and figure 1.	1-47
A	US 2003-0233890 A1 (DONALD P. MAYEAUX) 25 December 2003 See paragraphs 52-55; claim 1 and figure 3.	1-47
A	US 2005-0087028 A1 (NEIL WIDMER) 28 April 2005 See paragraphs 18-28; claim 19 and figure 1.	1-47

 Further documents are listed in the continuation of Box C. See patent family annex.

\* Special categories of cited documents:

"A" document defining the general state of the art which is not considered to be of particular relevance

"E" earlier application or patent but published on or after the international filing date

"L" document which may throw doubts on priority claim(s) or which is cited to establish the publication date of citation or other special reason (as specified)

"O" document referring to an oral disclosure, use, exhibition or other means

"P" document published prior to the international filing date but later than the priority date claimed

"T" later document published after the international filing date or priority date and not in conflict with the application but cited to understand the principle or theory underlying the invention

"X" document of particular relevance; the claimed invention cannot be considered novel or cannot be considered to involve an inventive step when the document is taken alone

"Y" document of particular relevance; the claimed invention cannot be considered to involve an inventive step when the document is combined with one or more other such documents, such combination being obvious to a person skilled in the art

"&amp;" document member of the same patent family

Date of the actual completion of the international search

28 SEPTEMBER 2011 (28.09.2011)

Date of mailing of the international search report

**29 SEPTEMBER 2011 (29.09.2011)**

Name and mailing address of the ISA/KR

Korean Intellectual Property Office  
Government Complex-Daejeon, 189 Cheongsu-ro,  
Seo-gu, Daejeon 302-701, Republic of Korea

Facsimile No. 82-42-472-7140

Authorized officer

AHN, Young Woong

Telephone No. 82-42-481-8720



## INTERNATIONAL SEARCH REPORT

Information on patent family members

International application No.

**PCT/US2011/022824**

Patent document cited in search report	Publication date	Patent family member(s)	Publication date
US 6205869 B1	27.03.2001	EP 1076233 A2	14.02.2001
		EP 1076233 A3	08.06.2005
		US 6546819 B1	15.04.2003
US 05837203A A	17.11.1998	EP 0897530 A4	19.05.1999
		EP 0897530 B1	12.07.2000
		US 05976468A A	02.11.1999
		US 2002-0019058 A1	14.02.2002
		US 2003-0138970 A1	24.07.2003
		US 2004-0005719 A2	08.01.2004
		US 2008-0031775 A1	07.02.2008
		US 6271043 B1	07.08.2001
		US 7247498 B2	24.07.2007
		WO 97-38295 A1	16.10.1997
		US 2003-0233890 A1	25.12.2003
US 06122825A A	26.09.2000		
US 2002-0036167 A1	28.03.2002		
US 2004-0168526 A1	02.09.2004		
US 2005-0061720 A1	24.03.2005		
US 2005-0223829 A1	13.10.2005		
US 2005-0247108 A1	10.11.2005		
US 2005-0257631 A1	24.11.2005		
US 6357304 B1	19.03.2002		
US 6457717 B1	01.10.2002		
US 6701794 B2	09.03.2004		
US 6904816 B2	14.06.2005		
US 7004041 B2	28.02.2006		
US 7051604 B1	30.05.2006		
US 7097693 B1	29.08.2006		
US 7134318 B2	14.11.2006		
US 7225690 B1	05.06.2007		
US 7472615 B2	06.01.2009		
US 7481125 B2	27.01.2009		
US 7555964 B2	07.07.2009		
US 7555965 B1	07.07.2009		
US 7617745 B1	17.11.2009		
US 7874221 B1	25.01.2011		
US 7886624 B1	15.02.2011		
US 2005-0087028 A1	28.04.2005	US 6976397 B2	20.12.2005