



US00D876040S

(12) **United States Design Patent**
Chen

(10) **Patent No.:** **US D876,040 S**

(45) **Date of Patent:** **** Feb. 18, 2020**

(54) **SLIM PEDAL BIN**

(71) Applicant: **EKO DEVELOPMENT LTD.**,
Guangzhou (CN)

(72) Inventor: **Yizhi Chen**, Guangzhou (CN)

(73) Assignee: **EKO Development Ltd.**, Guangzhou
(CN)

(**) Term: **15 Years**

(21) Appl. No.: **29/666,014**

(22) Filed: **Oct. 9, 2018**

(51) **LOC (12) Cl.** **09-09**

(52) **U.S. Cl.**
USPC **D34/9**

(58) **Field of Classification Search**
USPC D34/1, 11, 19, 27, 9, 5, 6, 8;
220/495.06, 908, 262-264, 908.1
CPC B65F 1/163; B65F 1/08; B65F 1/1421;
B65F 1/068; B65F 1/1473; B65F 1/06;
B65F 1/1607; B65D 43/26; B65D 43/262
See application file for complete search history.

(56) **References Cited**

U.S. PATENT DOCUMENTS

D246,090 S	10/1977	Gault	
D335,562 S	5/1993	Evans	
5,242,074 A	9/1993	Conaway et al.	
D343,709 S	1/1994	Doty et al.	
6,345,725 B1	2/2002	Lin	
D472,357 S	3/2003	Stewart	
D482,169 S	11/2003	Lin	
D517,767 S *	3/2006	Yang	D34/9
D527,155 S	8/2006	Fankhauser	
D552,321 S	10/2007	Yang et al.	
D571,520 S	6/2008	Lin	
D627,533 S	11/2010	Yang et al.	
D644,390 S	8/2011	Smeets et al.	
D644,806 S	9/2011	Yang et al.	
D657,108 S	4/2012	Yang et al.	

D657,109 S	4/2012	Liao
D675,802 S	2/2013	Yang et al.
8,820,566 B2	9/2014	Ude
D719,313 S	12/2014	Kao
D720,513 S	12/2014	Yang et al.
D725,861 S	3/2015	Yang et al.
D730,008 S	5/2015	Yang et al.
D754,413 S	4/2016	Wall
D759,934 S	6/2016	Yang et al.

(Continued)

OTHER PUBLICATIONS

Belson Outdoors "Durable Two-Piece Fiberglass Trash Receptacle",
<http://www.belson.com/Open-Top-Lift-Off-20-Gallon-Round-Fiberglass-Trash-Can>. Jun. 6, 2017. shown in p. 1, Model FG1829 TPL.

(Continued)

Primary Examiner — Cynthia Ramirez

Assistant Examiner — Gino Colan

(74) *Attorney, Agent, or Firm* — William Dippert;
Laurence Greenberg; Werner Stemer

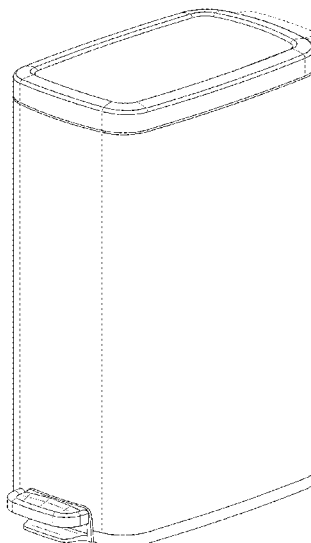
(57) **CLAIM**

The ornamental design for a slim pedal bin, as shown and described.

DESCRIPTION

FIG. 1 is a perspective view of a slim pedal bin, showing my new design.
FIG. 2 is a top plan view thereof.
FIG. 3 is a rear elevation view thereof.
FIG. 4 is a left-side elevation view thereof.
FIG. 5 is a front elevation view thereof.
FIG. 6 is a bottom plan view thereof; and,
FIG. 7 is a right-side elevation view thereof.
The broken lines shown in the figures are for the purpose of illustrating portions of the slim pedal bin which form no part of the claimed design.

1 Claim, 7 Drawing Sheets



(56)

References Cited

U.S. PATENT DOCUMENTS

D769,564 S * 10/2016 Chen D34/9
D771,344 S 11/2016 Yang et al.
D773,145 S 11/2016 Yang et al.
D790,145 S * 6/2017 Chen D34/7
D793,642 S 8/2017 Yang et al.
D796,767 S * 9/2017 Chen D34/9
D798,016 S 9/2017 Yang et al.
D827,968 S * 9/2018 Chen D34/9

OTHER PUBLICATIONS

Amazon "Simplehuman Bullet Open Trash Can", https://www.amazon.com/simplehuman-Bullet-Trash-Commercial-Stainless/dp/B000BHUHP0/ref=cm_cr_arp_d_product_top?ie=UTF8. Apr. 17, 1 2008. shown in p. 1, Model No. CW1407.

* cited by examiner

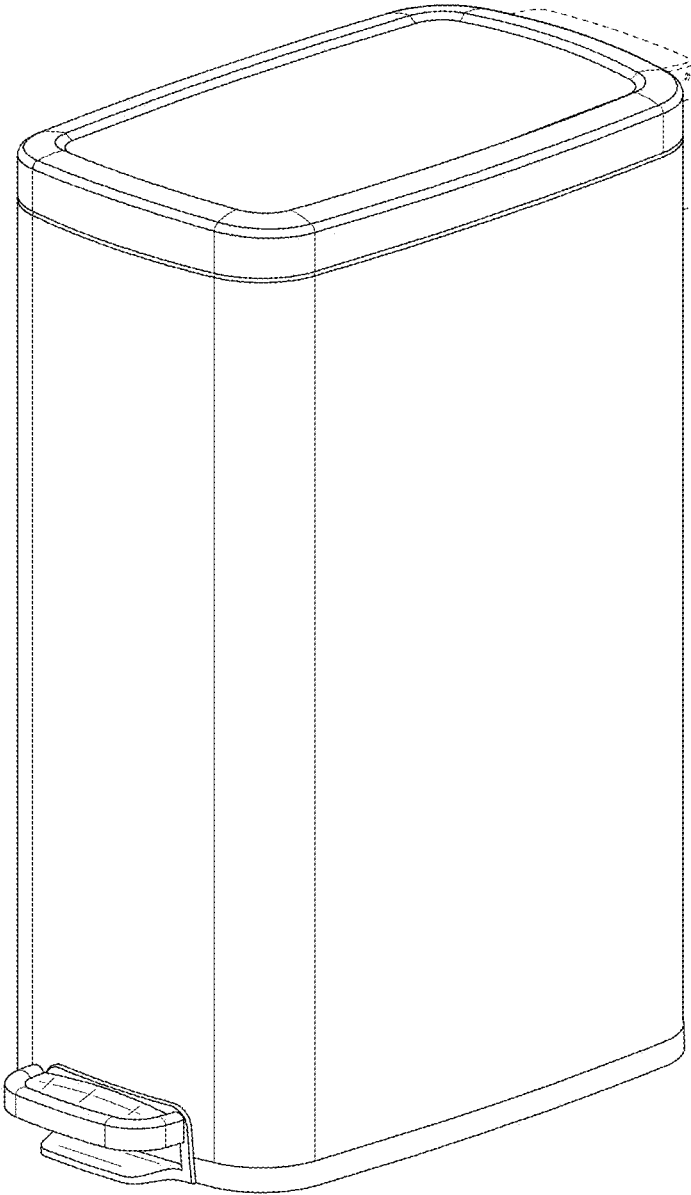


FIG. 1

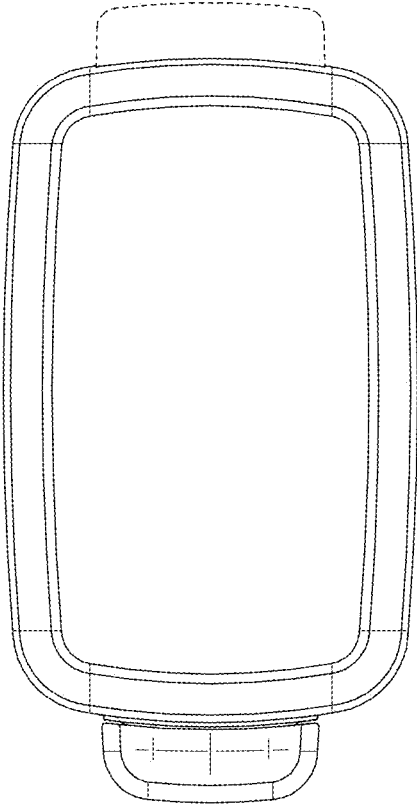


FIG. 2

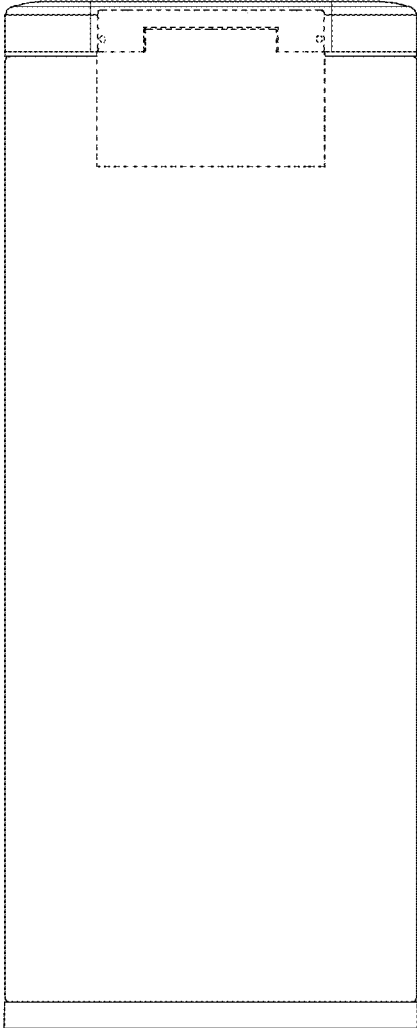


FIG. 3

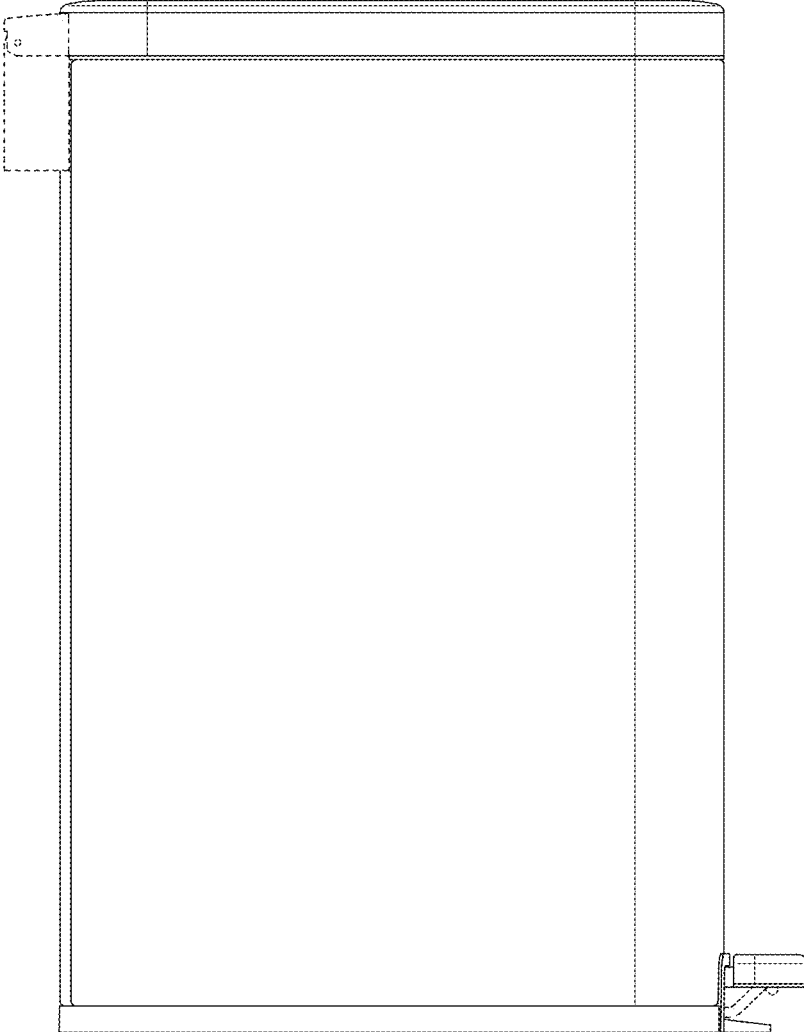


FIG. 4

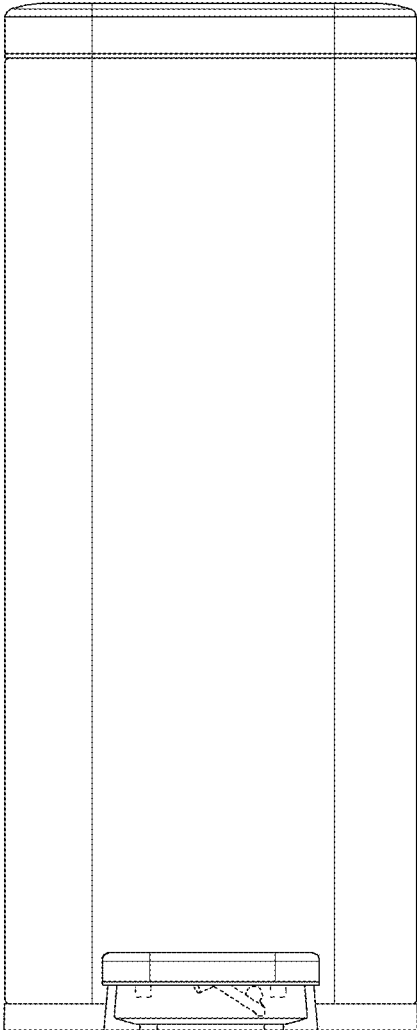


FIG. 5

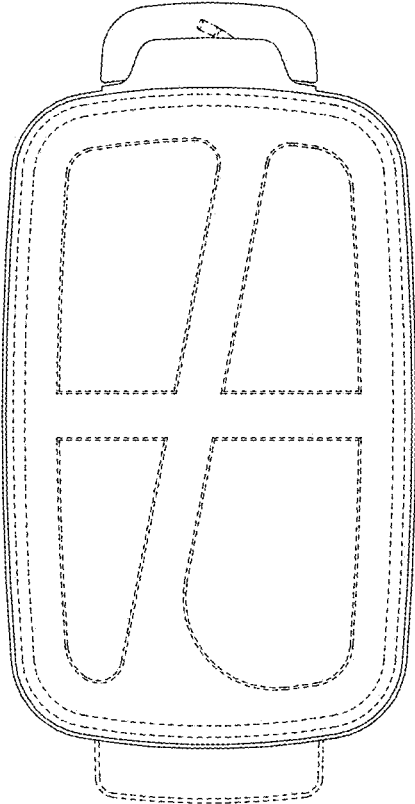


FIG. 6

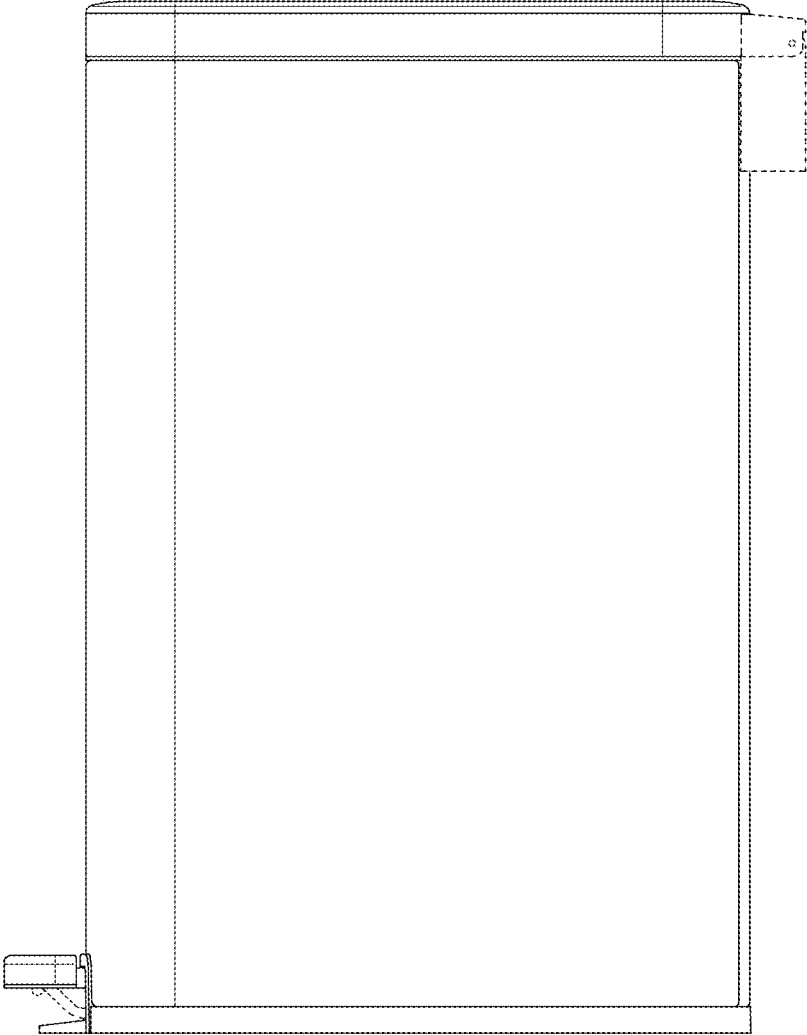


FIG. 7