

229,620

HANDLE FOR A PET GROOMING COMB

Robert W. Sleith, Wilbraham, Mass., assignor to
Suburban Plastics, Inc., Three Rivers, Mass.

Filed Sept. 20, 1971, Ser. No. 182,294

Term of patent 14 years

Int. Cl. D30—99

U.S. Cl. D30—40

Fig. 1.

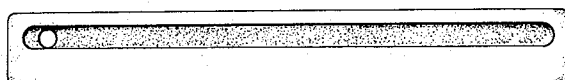


Fig. 2.

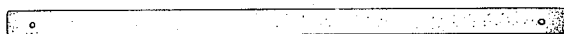


Fig. 3.

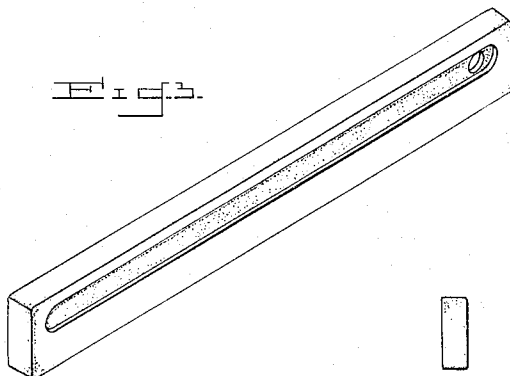


Fig. 4.

FIG. 1 is a side elevational view of a handle for a pet grooming comb, showing my new design, the opposite side being substantially a mirror image thereof;

FIG. 2 is a top plan view;

FIG. 3 is a perspective view; and

FIG. 4 is an end elevational view, the opposite end being substantially a mirror image thereof.

I claim:

The ornamental design for a handle for a pet grooming comb, as shown and described.

References Cited

UNITED STATES PATENTS

D. 218,445 8/1970 Lovvorn D30—40
309,668 12/1884 Weightman 119—85

ROBERT C. SPANGLER, Primary Examiner

W. M. HENRY, Assistant Examiner