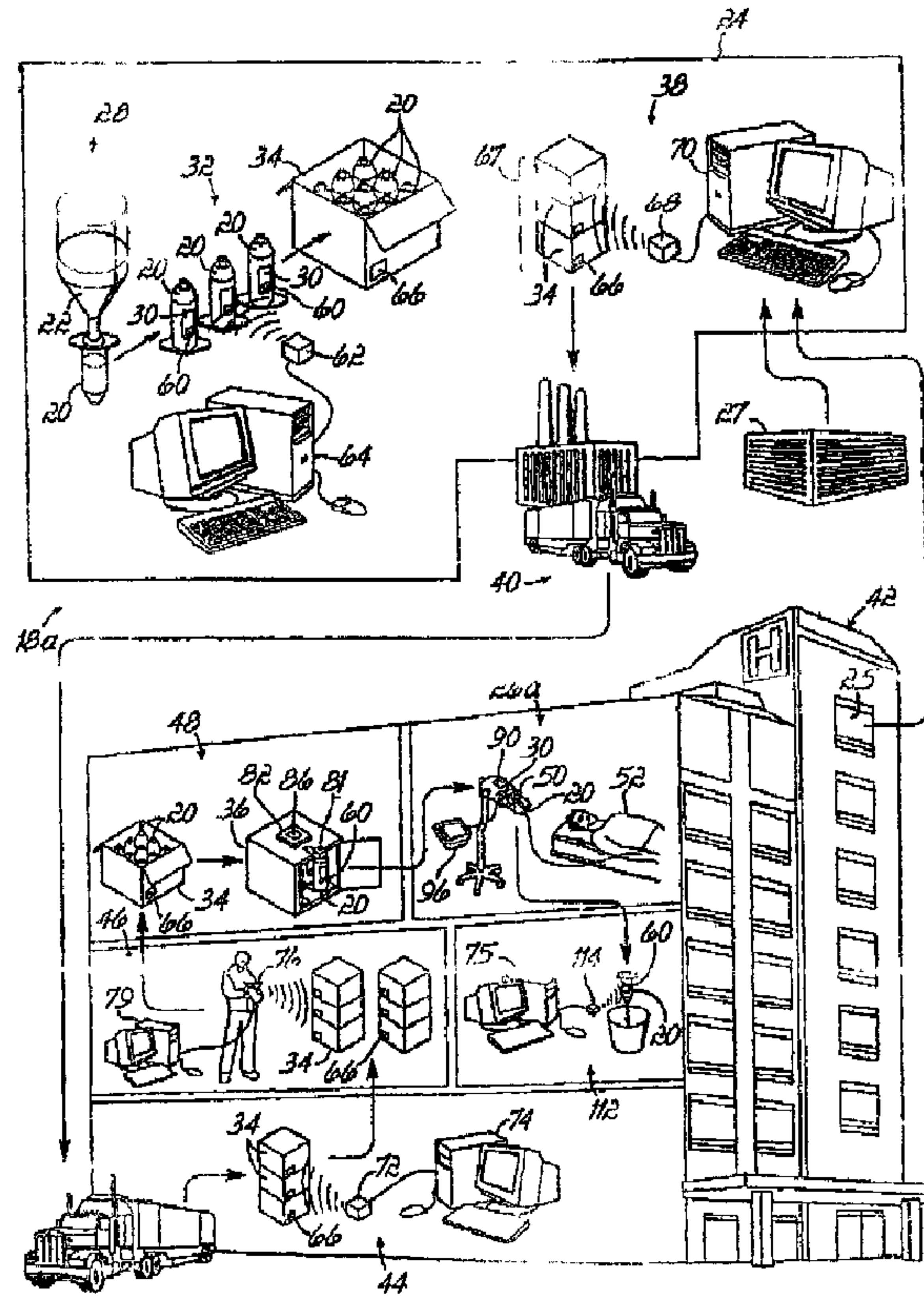




(22) Date de dépôt/Filing Date: 2006/04/04  
 (41) Mise à la disp. pub./Open to Public Insp.: 2006/10/12  
 (62) Demande originale/Original Application: 2 621 895  
 (30) Priorités/Priorities: 2005/04/06 (US60/668,647);  
 2005/04/06 (US60/668,681); 2005/05/16 (US60/681,252);  
 2005/09/12 (US60/716,166); 2005/09/19 (US60/718,545)

(51) Cl.Int./Int.Cl. *B65D 30/08* (2006.01),  
*B65D 37/00* (2006.01)  
 (71) Demandeur/Applicant:  
 MALLINCKRODT, INC., US  
 (72) Inventeur/Inventor:  
 FAGO, FRANK M., US  
 (74) Agent: OSLER, HOSKIN & HARCOURT LLP

(54) Titre : SYSTEMES ET PROCEDES POUR LA GESTION D'INFORMATION CONCERNANT DES FLUIDES  
 MEDICAUX ET CONTENANTS CORRESPONDANTS  
 (54) Title: SYSTEMS AND METHODS FOR MANAGING INFORMATION RELATING TO MEDICAL FLUIDS AND  
 CONTAINERS THEREFOR



(57) **Abrégé/Abstract:**

The present invention relates to management of information relating to medical fluids, containers therefor, and medical fluid administration devices for administering such medical fluids to patients. Data tags (e.g., RFID tags) are generally associated with

(57) **Abrégé(suite)/Abstract(continued):**

containers of the invention and may be electromagnetically read from and/or written to using an electromagnetic device, for example, that may be associated with a medical fluid administration device of the invention.

**Abstract**

**SYSTEM AND METHOD FOR MANAGING INFORMATION  
RELATING TO MEDICAL FLUIDS AND CONTAINERS THEREFOR**

5

10

The present invention relates to management of information relating to medical fluids, containers therefor, and medical fluid administration devices for administering such medical fluids to patients. Data tags (e.g., RFID tags) are generally associated with containers of the invention and may be electromagnetically read from and/or written to using an electromagnetic device, for example, that may be associated with a medical fluid administration device of the invention.



**SYSTEMS AND METHODS FOR MANAGING INFORMATION  
RELATING TO MEDICAL FLUIDS AND CONTAINERS THEREFOR**

5

**Cross Reference to Related Applications**

This application is a divisional of and claims priority to PCT Application PCT/US2006/012620, entitled SYSTEMS AND METHODS FOR MANAGING INFORMATION RELATING TO MEDICAL FLUIDS AND CONTAINERS THEREFOR, filed on April 4, 2006.

10

**Field of the Invention**

[0001] The present invention relates generally to medical fluids (e.g., radiopharmaceuticals, contrast media) and, more particularly, to tracking and/or managing information relating to medical fluids, containers therefor, and/or medical fluid administration devices used to administer such medical fluids.

15

**Background**

[0002] Proper administration of pharmaceuticals (e.g., contrast media, radiopharmaceuticals) is dependent on human reliability to insure the correct drug is administered properly. In the case of injectable pharmaceuticals, the consequences of mistakes can be severe. Statistically the accuracy of the health care system in providing correct injections is excellent. However, with millions of injections per year, there is a continuing effort to further reduce mistakes, a great majority of which are the result of human error.

20

[0003] Of particular interest is the packaging, distribution and use of contrast media or a contrast agent. As used herein, a contrast media or agent is a substance that is introduced into, on, or around a physiological structure (e.g., tissue, vasculature, cell); and because of the differences in absorption by the contrast media and the surrounding tissues, the contrast media allows a radiographic visualization of the structure. Contrast media is used in x-ray computed tomography (CT), magnetic resonance imaging (MR), ultrasound imaging, angiographic imaging, and other procedures. Often, a container, for example, a syringe, is filled with a desired quantity of the contrast media by an independent supplier; and the filled syringes of contrast

30

media are sold or otherwise provided to a hospital, imaging service provider or other health care facility.

5 [0004] Over the useful life of the contrast media and its associated syringe, there are three principal areas of interest for tracking purposes: 1) the location where the contrast media is packaged in a container (e.g., a syringe); 2) the distribution and storage of the filled syringe; and 3) the use and disposal of the syringe. The filling of a syringe with contrast media can occur at a supplier's facility separate from a health care facility; or in some circumstances, within a pharmacy of the health care facility. Contrast media comes in many types and concentrations and can be filled in syringes  
10 of different sizes that also vary with the type of injector to be used. Further, the contrast media has a limited shelf life and a more limited life when open to atmosphere or when heated in preparation for injection. Thus, in order to properly fill a syringe with contrast media, knowledge of the contrast media's use, the injector and sometimes an identity of a patient are required. In addition, proper use of the contrast  
15 media requires knowledge of its age and other information relating to when the syringe was filled.

[0005] Currently, all this information is manually collected by pharmacists and X-ray technologists. The technologist then uses this information to manually set up the injection; and currently, this information must be manually transposed onto various  
20 records. Known systems for managing pharmaceuticals provide filled syringes with bar codes having SKUs and other indicia relating to various filled sizes and concentrations of contrast media. But this system is limited in use and does not provide an efficient management of all of the parameters needed in a medical environment and particularly in connection with the use of contrast media. There is a  
25 need for a more automated system for entering information relating to contrast media upon filling a syringe. There is a further need to automatically track a particular syringe through a distribution system whether from a supplier external to a health care facility and/or from a pharmacy within the facility.

[0006] A typical X-ray department has an X-ray contrast warming device or box. This  
30 device is used to raise the temperature of the contrast media to body temperature before it is manually injected or installed in an injector. Additionally, it is considered normal for X-ray departments to store more than the day's requirement of contrast media in the warmer box. This creates a complex situation for an X-ray technologist responsible for manually keeping track of sometimes dozens of contrast media

syringes. The syringes have to be tracked by quantity, type and time in the warmer box; and the contrast media syringes should be used on a first-in first-out basis. As a result, a situation may result where there is too much of one type or not enough of another type. This manual tracking of contrast media syringes may also result in  
5 some syringes staying in the warmer box too long, and others being mistakenly removed before they have been used. Therefore, there is a need for a more automated system for tracking contrast media syringes in a warmer box.

[0007] Power injectors are frequently used to inject X-ray contrast media into patients receiving X-ray imaging procedures. X-ray technologists may encounter distractions

10 in the course of executing an X-ray procedure thus leading to the possibility of

injecting a patient using an empty syringe. An empty syringe injection often occurs

when a technologist retracts a plunger of a syringe with the power injector after an

injection but inadvertently does not replace the empty syringe with a new full syringe –

when the next patient is prepared for imaging the technologist fails to recognize the

15 empty syringe loaded in the power injector because the fully retracted empty syringe

looks like a full syringe with contrast media. To reduce the risk of using an empty

syringe, power injectors often prompt the technologist with a message asking the

technologist to confirm that air has been purged out of the syringe and tubing.

However, a technologist may answer “yes” to the prompt without carefully checking

20 the syringe and tubing with the result that air is injected into a patient. Therefore,

there is a need for a more automated system for preventing use of an empty syringe.

[0008] It is possible to refill almost any empty syringe with contrast media. Some

syringes are intended to be refilled, whereas others are not. However, some engage

in a practice of refilling syringes that are not intended to be refilled and/or refill a

25 syringe improperly with a risk of trapping air within the syringe. Therefore, there is a

need for an automated system for tracking the use of a syringe and preventing its

subsequent unauthorized re-use.

[0009] The installed base of power injectors in the world is very large due to their

reliability and long useful life. Throughout the life of a power injector, the diameter and

30 length of syringes used in that injector may vary due to tooling, material or process

changes over time, or even normal variations from batch-to-batch. Known power

injectors have fixed programming for syringe sizes and are not setup to automatically

make adjustments for minor variations in the diameter and length of a syringe. By

assuming a diameter and length for a syringe, the volume delivery accuracy of a

power injector is limited. For example, variations in syringe size result in a typical volume accuracy specification for a power injector of about +/-2 milliliters ("ml") per injection, even though the electronics and mechanical transmission are capable of much better. Therefore, there is a need for an automated system for determining variations in syringe size, so that better volume delivery accuracy can be achieved. [0010] When a power injector fails to operate correctly, a service engineer must be called. In analyzing a power injector experiencing operating problems, the injector is operated in a "service" mode, which is often achieved by installing electrical jumpers in an injector control. The service mode makes testing and troubleshooting the power injector easier, but the service mode often disables some safety features of the injector. Use of a jumper is simple technology; and it is relatively easy for a customer to invoke service mode without authorization, for example, to avoid the inconvenience of various safety checks when using the injector. Furthermore, service mode may also be accidentally left enabled. Since a jumper is located on rear connection panels, it is not readily visible; and it is possible for the jumper to be mistakenly left in the power injector, in which case the injector is left in service mode. If the service mode is used for a medical procedure, either deliberately or mistakenly, the injector may not perform in a safe manner. Therefore, there is a need for a better system for placing a power injector in a service mode and preventing normal use of the power injector while it is in the service mode.

[0011] Sometimes, when a power injector is not operating properly, the improper operation cannot be repeated, is intermittent or just cannot be solved by the service engineer. In such cases the power injector is temporarily replaced and returned to the factory for a more thorough examination. Upon the power injector being returned, factory personnel sometimes do not receive sufficient information about the power injector's defective operation to effectively resolve the problem. Therefore, there is a need for a better system of communicating defective operating conditions to factory personnel for service purposes.

[0012] Often power injector manufacturers embed all possible features into the injector's software, even though some customers do not want particular features. Manufacturers do this to reduce the development cost and the complexity of installations. However, when the manufacturer has a very high value feature, the manufacturer must find a cost-effective and reliable method of activating that feature for only those customers who have paid for it. Therefore, there is a need for a better system that permits a manufacturer to embed all operating features but automatically activate only those features that a particular customer has purchased.

[0013] There is also a need for an automated system that tracks syringes from the time they are filled with a contrast media, through their distribution to a health care facility and/or an imaging suite, through the injection of the contrast media from the syringe and then the disposal or authorized refilling of the syringe. There is a further need for such an automated system to communicate information regarding the injection of contrast media to patient records.

[0014] Similar problems and needs also exist with respect to the manufacture, storage and use of other pharmaceuticals such as radioactive pharmaceuticals or radiopharmaceuticals. Radiopharmaceuticals, are often prepared at a radiopharmacy in which a syringe or vial may be filled with a desired quantity of the radiopharmaceutical. The syringe or vial may then be placed into a container called a "pig" that generally includes lead and/or other radiation shielding material to protect handlers from exposure to radiation from the radiopharmaceutical. After delivery, the pig may be opened; the syringe or vial may be removed; and the radiopharmaceutical may be administered to a patient. The used syringe or vial may then be put back in the pig, and pig and syringe or vial may be returned to the radiopharmacy for disposal of the syringe and reuse or disposal of the pig. For purposes of this document, the term "container" means a structure for holding a radiopharmaceutical and from which the radiopharmaceutical may be dispensed, for example, a syringe, vial, etc.

[0015] Some radiopharmacies have nuclear medicine tracking systems that use bar code readers to read bar codes on prescription labels to facilitate shipment and receipt of the radiopharmaceutical pig and syringe or vial. Therefore, a person in a receiving nuclear medicine department can scan the prescription label on the pig to enter data into a procedural data system. While this known use of bar codes has improved the reliability of passing prescription information through a distribution channel, bar codes have a significant disadvantage. Bar codes store only a limited



amount of information, are "read only" devices and therefore, do not permit coded information to be changed or updated or new data to be added to the prescription labels. Further, a bar code must be in a "line of sight" of a reader to be useful.

[0016] While a syringe or vial may be disposed of after use, the radiopharmaceutical pig is cleaned and recycled for reuse. Therefore, instead of using adhesive to attach a pharmaceutical label to a pig, it is known to attach the label to the pig with elastic bands, resilient clear plastic sleeves, etc. While such techniques make a pig easier to clean for reuse, they do have a disadvantage in that reliably maintaining a label and pig together may require substantial human effort in initially applying the label and then checking and double checking the correctness of the label and pig combination over the life of the prescription.

[0017] The proper handling and use of radiopharmaceuticals may be said to require highly disciplined procedures – and while the occurrence of mistakes is statistically small, errors still occur in the handling and delivery of radiopharmaceuticals. Thus, there is a need to provide a prescription label for a radiopharmaceutical that addresses the disadvantages described above.

### **Summary**

[0018] The present invention is generally directed to managing information relating to a medical fluid, a container therefor, and/or a medical fluid administration device. Containers of the invention typically have a data tag associated therewith to enable information to be read from and/or written to the data tag of the container. This allows information regarding the container and/or the medical fluid associated therewith to be ascertained, and optionally updated, for example, during and/or between various stages of manufacture, transport, storage, use, and/or disposal.

[0019] As used herein, a "medical fluid" generally refers to a fluid that is designed to be administered (e.g., intravenously) to a medical patient as a part of a medical procedure (e.g., diagnostic procedure, therapeutic procedure). Examples of medical fluids include, but are not limited to, contrast media, radiopharmaceuticals, and saline.

A "container" of the invention generally refers to any container designed to have a medical fluid disposed therein. Examples of containers of the invention include, but are not limited to, syringes, IV bags, and bulk contrast media containers. An "administration device" of the invention refers to any electronic device designed to at least assist in transferring medical fluid from a container to a patient. Examples of

medical fluid administration devices of the invention include, but are not limited to, infusion pumps and power injectors.

5 [0020] A first aspect of the invention is directed to a syringe having a medical fluid disposed therein. The syringe includes a data tag for storing data, such as data relating to a software update for a powered fluid injector, a product promotion, and/or an electronic coupon code for sales of further products. Incidentally, a "data tag" herein refers to any device capable of having data electromagnetically read therefrom and/or written thereto (e.g., RFID tag).

10 [0021] A second aspect of the invention is directed to a medical fluid administration device capable of at least assisting in delivering a medical fluid from a container to a patient in a medical procedure. The container includes a data tag for storing data, and the administration device includes an electromagnetic device. Herein, an "electromagnetic device" refers to any device capable of electromagnetically reading data from and/or writing data to a data tag. The data read from the data tag may  
15 relate to configuration information for the administration device, a software update for the administration device, a product promotion, and/or an electronic coupon code for purchases of further products. In the case of the data tag including data relating to configuration information, and upon the data being read from the data tag by the electromagnetic device, the configuration information may be used by the  
20 administration device to execute a self-configuration cycle.

[0022] A third aspect of the invention is directed to a system for use in association with a medical fluid administration device. The system includes a service data tag (e.g., as a component of a badge or card) that may be used by service personnel, and an  
25 electromagnetic device associated with the administration device. This electromagnetic device is operable to read data from and/or write data to the service data tag (e.g., to provide data relating to an identity of the service person and/or configuration information for that particular administration device).

[0023] With regard to this third aspect of the invention, the administration device of some embodiments may enable a service mode upon the electromagnetic device  
30 detecting data from the service data tag. In some embodiments, the electromagnetic device may write data to the service data tag that relates to service activity information, administration device configuration information and/or administration device use information (e.g., fluid administration protocol statistics, container identifications, medical fluid use information).

[0024] A fourth aspect of the invention is directed to a warmer for warming a container having a medical fluid disposed therein. The container has a data tag for storing data associated therewith. The warmer includes both a heating element for elevating the temperature of the medical fluid and an electromagnetic device operable to read data from and/or write data to the data tag associated with the container. The data tags may contain data (which may be read by the electromagnetic device) relating to the amount of medical fluid in the container, the concentration of the medical fluid, manufacturing information regarding the medical fluid and/or the container, the container capacity, the container dimensions, a use code for the medical fluid, and configuration information for a medical fluid administration device to be used in administering the medical fluid to a patient.

[0025] With regard to this fourth aspect of the invention, some embodiments may include a user interface (e.g., touch screen) for facilitating user selection of a container in the warmer. In some embodiments, the electromagnetic device may be used to write data relating to use of the medical fluid to the data tag. For example, the electromagnetic device may be used to write data to (and/or read data from) the data tag that relates to a date the container was placed in the warmer, an expiration date for contrast media in the container, and/or administration information for an administration device to be used in administering the medical fluid in the container.

[0026] Still a fifth aspect of the invention is directed to a container having a medical fluid disposed therein and a data tag associated therewith. In the case that the medical fluid is a radiopharmaceutical, the data on the data tag of some embodiments may relate to an identity of the radiopharmaceutical, a radioactivity level of the radiopharmaceutical, manufacturing information for the radiopharmaceutical, a use code for the radiopharmaceutical (e.g., identifying whether a radiopharmaceutical container has previously been used in a radiopharmaceutical administration procedure), and/or configuration information for an administration device to be utilized in administering the radiopharmaceutical (e.g., a code that is required by the administration device prior to use of the container, a software update for the administration device, a product promotion, references to information).

[0027] Yet a sixth aspect of the invention is directed to a radiopharmaceutical administration device for use in administering a radiopharmaceutical to a patient. This administration device is designed to at least assist in delivering a radiopharmaceutical from a container to a patient. The container has a data tag associated therewith, and

the administration device includes an electromagnetic device for reading data from and/or writing data to the data tag. In some embodiments, the data included on the data tag identifies the amount and/or identity of radiopharmaceutical in the container, manufacturing information for the radiopharmaceutical in the container, the radioactivity level of the radiopharmaceutical in the container, a software update for the radiopharmaceutical in the container, configuration information for the administration device to be used in administering the radiopharmaceutical from the container, and/or particular data regarding a radiopharmaceutical container previously used with the administration device. In some embodiments, the data tag may store data indicative of configuration information for the administration device that includes a code required by the administration device prior to use of the radiopharmaceutical container (e.g., data used by the administration device in self-configuration upon reading of the data tag), a software update for the administration device, a product promotion, and/or references to information. For instance, in some embodiments, the administration device may utilize an electronic coupon code included in the data tag in purchases of further products.

[0028] A seventh aspect of the invention is directed to a system for use in a medical procedure with respect to a patient. The system includes a hospital information system, a container having a medical fluid disposed therein, and an administration device for administering the medical fluid to a patient. Associated with the container is a data tag that is readable by electromagnetic signals and that stores signals representing product promotions, coupons, Internet links of the supplier, and/or recommended software updates for administration devices with which the container is intended for use. The system also includes an electromagnetic device for reading data from and/or writing data to the data tag associated with the container. This electromagnetic device may be mounted on the administration device and is preferably in electrical communication with both the hospital information system and the administration device (e.g., the control thereof).

[0029] Still further, the system includes an imaging apparatus (e.g., CT scanner) that includes an imaging control, which is preferably in electrical communication with the hospital information system, the control of the administration device, and the electromagnetic device. Incidentally, "electrical communication" or the like herein refers to objects that are directly and/or indirectly connected in a manner such that electricity (e.g., data in the form of electronic signals) can be conveyed between them.

Data associated with administration (e.g., injection, infusion) of the medical fluid may be transferred between the hospital information system, the data tag, the control of the administration device, and the imaging control. Some embodiments of this seventh aspect may include a printer in electrical communication with the administration device  
5 (e.g., the control thereof).

[0030] An eighth aspect of the invention is directed to an administration device for use with a container having medical fluid disposed. In some embodiments, the medical fluid is metallic and/or diamagnetic. The container has a data tag that is readable by electromagnetic signals associated therewith, and the administration device includes  
10 an electromagnetic device adapted to read data from and/or write data to the data tag. In some embodiments, this electromagnetic device includes first and second antenna loops, each of which forms one side of a V-shape and is tuned to a radio frequency. Each of the first and second antenna loops may include a signal lead and a ground lead.

[0031] Referring to the eighth aspect of the invention, the electromagnetic device of some embodiments may include first and second tuning circuits that correspond with the first and second antenna loops. These tuning circuits may each include an input and an output. The output of the first tuning circuit may be connected to the signal lead of the first antenna loop and may function to tune the first antenna loop to  
15 a radio frequency. Similarly, the output of the second tuning circuit may be connected to the signal lead of the second antenna loop and may function to tune the second antenna loop to a radio frequency (e.g., the same radio frequency as the first antenna loop). The second antenna loop of the electromagnetic device may be nonparallel (e.g., form an angle of less than 180 degrees) with the first antenna loop.

[0032] Some embodiments of this eighth aspect may include additional antenna loops beyond the first and second antenna loops. For instance, some embodiments may include a third antenna loop having both a signal lead and a ground lead, and a third tuning circuit that includes an input and an output. As with the outputs of the first and second tuning circuits, the output of the third tuning circuit may be connected to the  
20 signal lead of the third antenna loop and may function to tune the third antenna loop to a radio frequency (e.g., the same radio frequency as the first and/or second antenna loop).

[0033] In some embodiments of the eighth aspect of the invention, the administration device may be utilized to support the container. For instance, in some embodiments,

the administration device is an electronic fluid injector, and the electromagnetic device is mounted in association with the injector. The administration device may include both a first printed circuit board that supports the first antenna loop and the first tuning circuit, and a second printed circuit board that supports the second antenna loop and the second tuning circuit. The first printed circuit board may be oriented in any of a number of appropriate orientations relative to the second circuit board. For instance, in some embodiments, the first circuit board forms an angle of less than about 180 degrees with the second printed circuit board. The first printed circuit board may support a driver circuit electrically connectable to the first antenna loop, the second antenna loop, the first tuning circuit, and/or the second tuning circuit. This driver circuit may include a power terminal and a ground terminal.

[0034] In some embodiments of this eighth aspect, the input of the first tuning circuit is connected to the power terminal, and the ground lead of the first antenna loop is connected to the ground terminal. In addition, the input of the second tuning circuit is not connected to the power terminal or the ground terminal, and the ground lead of the second antenna loop is connected to the ground terminal.

[0035] In other embodiments of the eighth aspect, the input of the first tuning circuit is not connected to the power terminal or the ground terminal, and the ground lead of the first antenna loop is connected to the ground terminal. In addition, the input of the second tuning circuit is connected to the power terminal, and the ground lead of the second antenna loop is connected to the ground terminal.

[0036] In still other embodiments of the eighth aspect, the input of the first tuning circuit is connected to the power terminal, and the ground lead of the first antenna loop is connected to the ground terminal. In addition, the input of the second tuning circuit is connected to the ground terminal, and the ground lead of the second antenna loop is connected to the ground terminal.

[0037] In yet other embodiments of the eighth aspect, the input of the first tuning circuit is connected to the ground terminal, and the ground lead of the first antenna loop is connected to the ground terminal. In addition, the input of the second tuning circuit is connected to the power terminal, and the ground lead of the second antenna loop is connected to the ground terminal.

[0038] Some embodiments of the eighth aspect may be equipped with a switching circuit including first and second switches. The first switch may include a first contact connected to the input of the first tuning circuit, a second contact connected to the

ground terminal, a third contact connected to the power terminal, and a fourth contact not connected to the ground terminal or the power terminal. This first switch is preferably operable to electrically connect the first contact with at least one of the second contact, the third contact and the fourth contact. Similarly, the second switch may include a fifth contact connected to the input of the second tuning circuit, a sixth contact connected to the ground terminal, a seventh contact connected to the power terminal, and an eighth contact not connected to the ground terminal or the power terminal. This second switch is preferably operable to electrically connect the fifth contact with at least one of the sixth contact, the seventh contact and the eighth contact.

**[0039]** In a ninth aspect, the invention is directed to a method of using a medical fluid administration device that includes an electromagnetic device operable to read data from and/or write data to a data tag. This data tag is associated with a container that has medical fluid disposed therein. In this method, first and second antenna loops of the electromagnetic device are electrically connected in a first circuit configuration and are tuned to a substantially identical radio frequency. These first and second antenna loops may be oriented in a nonparallel relationship relative to one another. An electromagnetic (e.g., RF) communication may be attempted between the electromagnetic device and the data tag, at least in part, by providing electromagnetic power to the first circuit configuration. A determination may be made as to whether or not electromagnetic communication is or was established between the electromagnetic device and the data tag. If it is determined that electromagnetic communication is/was not made, the first and second antenna loops may be electrically reconnected in a further (e.g., second) circuit configuration different from the first circuit configuration. Then, another electromagnetic communication between the electromagnetic device and the data tag may be attempted, at least in part, by providing electromagnetic power to the further circuit configuration. The process of determining whether or not an electrical communication exists, electrically reconnecting the first and second antenna loops, and attempting another electromagnetic communication may be repeated as desired (e.g., until determining that a successful electromagnetic communication has been established between the electromagnetic device and the data tag).

**[0040]** A tenth aspect of the invention is directed to a method of using a medical fluid administration device that includes an electromagnetic device operable to read data

from and/or write data to a data tag. In this method, a data tag is disposed near an antenna system of the electromagnetic device, and a material that interferes with electromagnetic signals (e.g., metallic material, diamagnetic material) is disposed between the data tag and the antenna system. Even though the material is disposed between the data tag and the antenna system, data may still be electromagnetically read from and/or written to the data tag using the electromagnetic device and the antenna system thereof.

[0041] In some embodiments of this tenth aspect, the data tag is a component of a container that has medical fluid (which, in this case, is or includes the material) disposed therein. In such embodiments, the medical fluid may be, for example, water, saline, contrast media, or a combination thereof. In such embodiments, the container may be placed near (e.g., in contact with) the administration device in a manner such that the data tag of the container is located near the antenna system and such that the material in the container is located between the data tag and the antenna system.

While not always the case, the electromagnetic device and the antenna system thereof may be components of the administration device.

[0042] Some embodiments of the antenna system of this tenth aspect may include first and second antenna loops. In these embodiments, the first and second antenna loops may be electrically connected in a first antenna configuration, and electromagnetic signals from this first antenna configuration may be emitted to at least attempt to electromagnetically read data from and/or electromagnetically write data to the data tag. In response to a failure to electromagnetically read data from and/or electromagnetically write data to the data tag when the first and second antennas are in the first configuration, the first and second antenna loops may be electrically reconnected in another (e.g., second) antenna configuration, and electromagnetic signals from the new antenna configuration may be emitted to again at least attempt to electromagnetically read data from and/or electromagnetically write data to the data tag.

[0043] In an eleventh aspect, the invention is directed to a container assembly that includes a medical fluid container that is enclosable inside an enclosure. Associated with the container are both a data tag that includes a data store and an antenna system that is electrically connectable to the data tag. The construction of the enclosure of this eleventh aspect is such that a frequency of electromagnetic signal necessary to read data from and/or write data to the data tag is substantially



prevented from passing through the material of the enclosure. The antenna system of this eleventh aspect is designed so that an antenna thereof is located outside the enclosure while the container and the data store of the data tag are enclosed in the enclosure. This antenna system permits data to be read from and/or written to the data store while the container and the data store of the data tag are enclosed within the enclosure.

[0044] Still a twelfth aspect of the invention is directed to a radiopharmaceutical assembly that includes a radiopharmaceutical container (e.g., a syringe having a radiopharmaceutical disposed therein) and a radiopharmaceutical pig that is enclosable about the container to fully surround and support the container. In addition, this twelfth aspect includes a data tag that includes a data store and that is attached to the radiopharmaceutical container. An antenna system is electrically connectable to the data tag upon the radiopharmaceutical container (and the data tag attached thereto) being placed in the radiopharmaceutical pig. This antenna system permits data to be read from and/or written to the data store of the data tag while the radiopharmaceutical pig is closed around the radiopharmaceutical container and the data tag.

[0045] In some embodiments of this twelfth aspect, the radiopharmaceutical pig may be characterized as having both a first pig component (e.g., a base) adapted to support the radiopharmaceutical container with the data tag and a second pig component (e.g., a cap) that is attachable to the first pig component and adapted to fully enclose the radiopharmaceutical container with the data tag within the radiopharmaceutical pig. In such embodiments, the antenna system may be adapted to be electrically connectable to the data tag upon the radiopharmaceutical container being placed in the first pig component of the radiopharmaceutical pig. The antenna system of these embodiments permits data to be read from and/or written to the data store of the data tag while the first pig component is attached to the second pig component and while the radiopharmaceutical container and the data tag are enclosed inside the radiopharmaceutical pig. In some of these embodiments the antenna system may include an antenna electrically connected to the data tag, an inner antenna adjacent an inner surface of one of the first pig component and the second pig component, an outer antenna adjacent an outer surface of one of the first pig component and the second pig component, and a conductive lead electrically connecting the inner antenna with the outer antenna. The antenna of some

embodiments of the twelfth aspect may be attached to (e.g., fixed to) the radiopharmaceutical container.

5 [0046] Still referring to the twelfth aspect of the invention, some embodiments of the antenna system may be characterized as having an antenna locatable outside the radiopharmaceutical pig, and a conductive lead that has one end connected to the antenna within the radiopharmaceutical pig and an opposite end connected to the antenna located outside the radiopharmaceutical pig.

10 [0047] In yet a thirteenth aspect, the invention is directed to a power injector capable of supporting a syringe that has a medical fluid disposed therein. Particularly, the medical fluid is located between a plunger and a discharge tip of the syringe. The syringe includes a data tag for storing data that is electromagnetically readable from the data tag. The injector of this thirteenth aspect includes a powerhead having a plunger drive adapted to interface with (e.g., be connected to) the plunger of the syringe. An injector control of the injector is operatively connected to the powerhead. 15 Further, an electromagnetic device of the injector is mounted on the powerhead and is in electrical communication with the injector control. This electromagnetic device includes a plurality of antennas operative to transmit electromagnetic signals to and receive electromagnetic signals from the data tag (e.g., to read data stored in the data tag).

20 [0048] In some embodiments of this thirteenth aspect, the electromagnetic device may include a plurality of tuning circuits electrically connected to respective antennas for tuning the respective antennas to a desired frequency(ies). For instance, in some embodiments, the tuning circuits may be utilized to tune the respective antennas to a frequency of about 13.56 Megahertz. A driver circuit of the electromagnetic device 25 may be electrically connectable to the tuning circuits and the injector control. This driver circuit may function to provide drive signals to the tuning circuits causing the respective antennas to transmit electromagnetic signals to and receive electromagnetic signals from the data tag (e.g., to read data stored in the data tag). Some embodiments may include a switching circuit electrically connected between the 30 driver circuit and the tuning circuits. This switching circuit may be utilized to connect the antennas in different circuit configurations. In some embodiments, at least one of the switching circuit and the driver circuit are located in the powerhead of the injector. [0049] Still referring to the thirteenth aspect of the invention, some embodiments of the powerhead may include a forward end adapted to receive and support the syringe. In

some embodiments, this forward end may include or be characterized as a mount of sorts adapted to accommodate (e.g., receive and support) the syringe. In some embodiments, the mount may include a pressure jacket for supporting the syringe. In such embodiments, the antennas may be mounted on the pressure jacket. Some  
 5 embodiments of the mount may not include a pressure jacket. Some embodiments of the mount may include what may be referred to as a cradle to support the syringe. In such embodiments, the antennas may be supported by and/or located within the cradle.

[0050] Some embodiments of the thirteenth aspect may have a pressure jacket that  
 10 includes an inner sleeve and an outer sleeve disposed about the inner sleeve. One or more antennas may be located between the inner sleeve and the outer sleeve of the pressure jacket. For instance, in some embodiments, a plurality of antennas may be disposed between the inner and outer sleeves and equally spaced about a

circumference of the pressure jacket. In some embodiments, one or more tuning  
 15 circuits may be located between the inner sleeve and the outer sleeve.

[0051] Some embodiments of the injector of the thirteen aspect of the invention may include a heater (e.g., for heating the medical fluid disposed in the syringe). For example, in some embodiments, the heater may be attached to or a component of a pressure jacket of the injector. As another example, in some embodiments, the heater  
 20 may be attached to or a component of a cradle of the injector. In embodiments equipped with a heater, the heater may be electrically connected to the injector control.

[0052] The syringe employed in this thirteen aspect of the invention may exhibit any of a number of appropriate structural designs/configurations. For instance, in some  
 25 embodiments, the plunger of the syringe is substantially wholly contained within a barrel of the syringe. Further, the syringe employed in this thirteen aspect of the invention may exhibit any of a number of appropriate sizes (e.g., volume capacities). As an example, the syringe of some embodiments exhibits a volumetric capacity capable of accommodating a volume of fluid in excess of about 99 ml.

[0053] A fourteenth aspect of the invention is directed to a system for managing data  
 30 relating to a container and/or a medical fluid disposed therein. The container includes a data tag operable to have data written thereto and read therefrom. A filling station of the system may be utilized to place the medical fluid in the container. This filling station includes an electromagnetic device operable to at least write data (e.g.,

relating to the fluid in the container) to the data tag. Further, a disposal station of the system may be utilized in disposing of and/or preparing for disposal of the container (which may or may not still have medical fluid therein). This disposal station also includes an electromagnetic device operable to write data (e.g., relating to disposal of the container) to the data tag. The system may also include a hospital information system in communication with one or more electromagnetic devices of the system.

[0054] In some embodiments of this fourteenth aspect, the system may include a warmer that may be utilized to heat the fluid in the container. This warmer is generally equipped with an electromagnetic device operable to write data (e.g., relating to placing the container in and/or removing the container from the warmer) to the data tag.

[0055] Some embodiments of the fourteenth aspect may include a medical fluid administration device. For example, in some embodiments, the administration device is a power injector for use with a syringe. The power injector generally includes both a control and an electromagnetic device that is electrically connected to the control and operable to write data (e.g., relating to administration of the medical fluid into the patient) to the data tag.

[0056] In some embodiments, the system of the fourteenth aspect may include a packaging station that may be used in placement of the container into a package. This packaging station may include an electromagnetic device operable to write data (e.g., relating to the package, the fluid and/or the container) to the data tag.

[0057] Some embodiments of the system may include a storage area for storing the container (which may or may not already have the medical fluid disposed therein). This storage area generally includes an electromagnetic device operable to write data (e.g., relating to placing the syringe in and/or removing the syringe from the storage area) to the data tag.

[0058] In some embodiments of the fourteenth aspect, the medical fluid that is in or is to be placed in the container is a radiopharmaceutical. In such embodiments, a packaging station (e.g., radiopharmacy) of the system may be used during placement of the container into a radiopharmaceutical pig. Further, the packaging station may be utilized when placing the radiopharmaceutical pig in a package (e.g., a transport package). This packaging station may include an electromagnetic device operable to

write data (e.g., relating to the radiopharmaceutical, the container, the pig, and/or the package) to the data tag.

[0059] Some embodiments of the system may include a calibration station that includes an electromagnetic device operable to write data (e.g., relating to radioactivity level of the radiopharmaceutical in the container) to the data tag. Some embodiments of the system may include a treatment room where the radiopharmaceutical pig may be received and the container having the radiopharmaceutical disposed therein is removed for administration of the radiopharmaceutical to a patient. This treatment room may include an electromagnetic device operable to write data (e.g., relating to administration of the radiopharmaceutical to the patient) to the data tag. A storage area of the system may include an electromagnetic device operable to write data (e.g., relating to placing the pig into and/or removing the pig from the storage area) to the data tag.

[0060] Various refinements exist of the features noted in relation to the above-mentioned aspects of the present invention. Further features may also be incorporated in the above-mentioned aspects of the present invention as well. These refinements and additional features may exist individually or in any combination. For instance, various features discussed below in relation to any of the exemplary embodiments of the present invention may be incorporated into any of the aspects of the present invention alone or in any combination.

#### **Brief Description of the Figures**

[0061] The accompanying figures, which are incorporated herein and constitute a part of this specification, illustrate exemplary embodiments of the invention and, together with a general description of aspects of the invention given above, and the detailed description of various exemplary embodiments given below, serve to explain various principles of the invention.

[0062] Fig. 1A is a schematic drawing of a system for tracking a syringe filled with contrast media over a syringe life cycle.

[0063] Fig. 1B is a schematic drawing of a system for tracking a container filled with a radiopharmaceutical over a container life cycle.

[0064] Fig. 1C is a schematic drawing of a system for tracking an IV bag filled with a medical fluid over an IV bag life cycle.

[0065] Figs. 2A-2D are perspective views of a syringe that illustrate different manners of applying a tracking device to a syringe filled with contrast media in the system shown in Fig. 1A.

[0066] Fig. 3A is a schematic block diagram of components associated with the system illustrated in Fig. 1A.

[0067] Fig. 3B is a schematic block diagram of components associated with the system illustrated in Fig. 1B.

[0068] Fig. 3C is a schematic block diagram of components associated with the system illustrated in Fig. 1C.

[0069] Fig. 4 is a schematic drawing illustrating activities and operations associated with use and disposal of a container of contrast media in an imaging suite.

[0070] Fig. 5A is a perspective view of one embodiment of an injector that may be used in the system of Fig. 1A.

[0071] Fig. 5B is a perspective view of an embodiment of an injector and a field engineer identification card that may be used in the system of Fig. 1A.

[0072] Fig. 6 is a flowchart of an exemplary method of manufacturing and distributing a syringe or other container as shown in Figs. 1A and 1B.

[0073] Fig. 7 is a flowchart of an exemplary method of stocking and preparing for use of a syringe or other container as shown in Figs. 1A and 1B.

[0074] Fig. 8 is a flowchart of an exemplary method of using a syringe or other container as shown in Figs. 1A and 1B.

[0075] Fig. 9 is a flowchart of an exemplary method of a field maintenance process for a syringe filled with contrast media as shown in Fig. 1A.

[0076] Fig. 10 is a schematic drawing illustrating a variation in RF signal strength in coupling a transmitting antenna with a receiving antenna angled with respect to the transmitting antenna.

[0077] Fig. 11 is perspective view of a contrast media power injector having an RF data tag on a syringe mounted in a power injector.

[0078] Fig. 12 is a perspective view of an exemplary embodiment illustrating a syringe positioned above a faceplate of a contrast media power injector having multiple, nonparallel antenna loops for a read/write device in accordance with the principles of the present invention.

[0079] Figs. 13A-13D are schematic drawings of four different circuit configurations for the multiple, nonparallel antenna loops of Fig. 12.

[0080] Fig. 14 is a schematic drawing of the multiple, nonparallel antenna loops of Fig. 11 with switches for connecting the antenna loops in the four different circuit configurations of Figs. 13A-13D.

[0081] Fig. 15 is schematic drawing of a flowchart illustrating a communications cycle utilizing the multiple, nonparallel antenna loops of Fig. 10.

[0082] Fig. 16 is a cross-sectional drawing of a pressure jacket for a contrast media power injector as shown in Fig. 11, which is equipped with a multiple loop, nonparallel antenna system for the contrast media power injector similar to that illustrated in Fig. 12.

[0083] Fig. 17 is a schematic drawing of an electromagnetic radio frequency R/W device utilizing the multiple loop, nonparallel antenna system of Fig. 16.

[0084] Fig. 18 illustrates different manners of applying a tracking device to a radiopharmaceutical container and respective pig in the system shown in Fig. 1.

[0085] Fig. 19 is a flowchart of an exemplary method of post-processing a radiopharmaceutical container and associated pig.

[0086] Fig. 20 is a perspective view of an exemplary embodiment of an RF tag and antenna system that is applicable to a radiopharmaceutical syringe and associated radiopharmaceutical pig in accordance with the principles of the present invention.

[0087] Fig. 21 is a perspective view of another exemplary embodiment of an RF tag and antenna system that is applicable to a radiopharmaceutical syringe and associated radiopharmaceutical pig in accordance with the principles of the present invention.

[0088] Fig. 22 is a perspective view of a further exemplary embodiment of an RF tag and antenna system that is applicable to a radiopharmaceutical syringe and associated radiopharmaceutical pig in accordance with the principles of the present invention.

[0089] Fig. 22A is an exploded view showing a path of an antenna lead in the further embodiment of the radiopharmaceutical syringe and associated radiopharmaceutical pig shown in Fig. 22.

### Detailed Description of Exemplary Embodiments

[0090] Referring to Fig. 1A, an exemplary embodiment of a container life cycle 18a relates to medical fluid containers, for example, a syringe 20 suitable for storing contrast media. The syringes 20 may be manufactured at a supplier facility 24 that is

remote from a facility 42 in which a syringe 20 is to be used. Within the supplier facility 24, the syringe 20 is first filled with a contrast media at a filling station 28, and thereafter, labels 30 may be applied to respective syringes 20 at a labeling station 32.

The syringes 20 may then be packaged either singularly or as a batch in an appropriate shipping carton 34 at a packaging station and the shipping cartons may be temporarily queued or stored in a shipping/receiving department 36.

[0091] Orders for the syringes 20 can be received from various sources, for example, a purchasing office 25 within a health care facility 42, or a doctor's office 27 that may be part of, or independent from, the health care facility 42. Further, the orders may or may not be associated with a particular patient.

[0092] Based on the orders, the shipping cartons 34 may enter a distribution channel 40 by which they may be delivered to various facilities 42, for example, hospitals, image service providers, and/or other health care facilities. In the example of Fig. 1A, the facility 42 is a hospital that has a shipping/receiving area 44 for receiving the cartons 34 of prefilled syringes 20. Incidentally, "prefilled" herein describes a container that is designed to be sold and/or delivered to a user with at least some medical fluid already disposed in the container. Often, the cartons 34 are temporarily stored in a room 46 that may or may not be associated with a pharmacy within the hospital 42. As desired, the cartons 34 may be transferred to a preparation room 48 at which the syringes 20 may be unpacked and placed in a warming oven 36 to raise the temperature of the contrast media up to about body temperature (e.g., between about 97°F and about 100°F). At appropriate times, one or more syringes 20 may be removed from the warming oven 36, carried to the imaging suite 26a and loaded into a powered fluid injector 50. The injector 50 operates to inject the contrast fluid into an examination subject or patient 52. After use, the spent syringe 20 may be processed for an authorized refilling or disposed of (e.g., in a disposal area 112) in a known manner. For purposes herein, the term "prefilled syringe" means a syringe 20 prefilled with a medical fluid (e.g., contrast media) at a location remote from the preparation room 48 and imaging suite 26a.

[0093] As with any substance to be injected into an animal, there are a great many regulated practices as well as unregulated common practices that are desirable to be followed in the filling, distribution, preparation and use of a prefilled syringe. Further, the regulated and common practices may differ depending on the type of contrast media being used. Consequently, it is generally desirable to generate and provide a



substantial amount of data relating to the handling of the syringe 20 throughout its life cycle, for example, at substantially every step from its filling to its disposal. Further, it is generally preferred that the data be transferable from one location, for example, the respective filling and labeling stations 28, 32, to another location, for example, the  
5 respective preparation and imaging rooms 34, 36. Today, such data has been known to be recorded and transferred utilizing typed and/or hand-written information located on the syringes 20 and/or cartons 38 as well as typed and/or hand-written records associated therewith. However, during the life of a syringe 20, the data is desired to be utilized in computer systems that may, most often, not be integrated and  
10 sometimes, in databases that may not be compatible.

[0094] In order to provide a common data acquisition and storage system for each syringe 20, which can be utilized during any portion, and at every stage, of the container life cycle 18a, a system of radio frequency identification device ("RFID") tags and readers is used.

15 [0095] The object of an RFID-based system is to carry data in transponders, generally known as tags, and to retrieve data, by machine-readable means, at a suitable time and place to satisfy a particular application need. Thus, a tag or transponder may typically include an RF driver circuit and associated antenna. The RF driver circuit often utilizes an integrated circuit chip having a programmable processor and  
20 associated memory, which are capable of storing the data and performing necessary demodulation and, if applicable, modulation functions. Data within a tag may provide any manner of information relating to a prefilled syringe that is useful over the life of the syringe. It is generally preferred that an RFID system include a means for reading data from, and in some applications, writing data to, the tags, as well as a means for  
25 communicating the data to a computer or information management system. Thus, an RFID system preferably has the versatility to permit data to be written into, and read from, a tag at different times and at different locations.

[0096] Wireless communication is most often used to transfer data between a tag and a reader. Such communication is often based upon propagating electromagnetic  
30 waves, for example, radio frequency waves, by antenna structures present in both tags and readers. It is known to use either a common antenna or different antennas with an RFID tag to read data from, and write data to, the tag; closed loop, open loop, stripline, dipole and/or other antennas may be used. Further, RFID tags may be passive, that is, without an independent power supply, or active, that is, with a power

supply such as a battery. In applications described herein, the choice of a particular antenna configuration and whether to use an active or passive RFID tag may or may not be application dependent.

[0097] An exemplary embodiment of a syringe manufacturing process implemented at a supplier facility 24 is illustrated in Fig. 3. First, at 500, a syringe 20 is filled with contrast media 22 at a filling station 28. Thereafter, at 504, a label 30 containing human readable and/or machine-readable indicia is applied to the syringe 20 at the labeling station 32. As part of the labeling process, an RFID tag 60 is applied to the syringe 20. The RFID tag 60 incorporates an RFID chip and associated antenna in a known manner, for example, as shown in Fig. 5A by the RFID chip 212 and antenna 210; and the RFID tag 60 may be a part of or separate from the label 30. As shown in Figs. 2A-2D, the RFID tag can be applied at any suitable location on the syringe 20. For example, as shown in Fig. 2A, the RFID tag 60 can be applied to a rear surface 55 of a syringe flange 56; and as shown in Fig. 2B, the RFID tag 60 can be applied to an outer cylindrical surface 57 of the syringe. In another embodiment shown in Fig. 2C, prior to the syringe 20 being loaded into a power head of an injector, the RFID tag 60 can be peeled off of the syringe 20 and applied to the injector. Upon removing the syringe 20 from the injector power head, the RFID tag may be reapplied to the syringe 20. In a still further embodiment shown in Fig. 2D, the RFID tag 60 can be applied to a rear surface 58 of a plunger 59. The plunger 59 may have a core 61 covered by a molded material 63, and an RFID tag can be applied to or integrated into the plunger structure at various locations 65a, 65b, 65c, etc. As shown in Fig. 2D, an RFID tag may be applied as shown at 60' on the discharge extension (e.g., nozzle) extending from the distal end of the syringe 20, or as shown at 60", an RFID tag can be applied to a front wall (e.g., tapering front wall) of the syringe 20.

[0098] Within the supplier facility 24 of Fig. 1A, a read/write ("R/W") device 62 is connected to a labeling computer 64 and, at 506 (Fig. 6), is operative to write data in the RFID tag 60 relating to contrast media or other pharmaceutical and its associated prefilled syringe or other container 20. Data that can be written to the RFID tag 60 includes, but is not limited to, the following:

- A unique container identification number.
- A security code that limits access to the RFID tag to those R/W devices that are able to provide the security code.
- A volume of the pharmaceutical filled in the container.

– A total available volume and/or physical dimensions of the available volume in the container.

– An identity, or type, of the pharmaceutical in the container.

– A concentration of the pharmaceutical.

– A formula of the pharmaceutical.

– A manufacturing date.

– An identity of a factory, production line, filling station machine, and/or batch number associated with the container.

– A date and time at which the container is filled.

– An expiration time and/or date and/or a shelf life of the pharmaceutical.

– NDC codes.

– One or more vendor specific inventory codes, for example, an SKU code.

– An identity of the country in which the container was filled.

– An identity of the container and/or container packaging.

– Product promotions and/or coupons and/or internet links of the supplier.

– Recommended software updates for power injectors in which the container is intended for use.

[0100] Thereafter, at 508, the syringe 20 is loaded into a shipping carton 34; and, at 510, the cartons 34 are stocked as inventory in a shipping/receiving department 38.

Based on orders received, as indicated at 512, the cartons 24 may be further combined or palletized into a case or batch 67 for shipment to a customer; and a label 66 can be optionally applied to an individual shipping carton 34 or a unified case or batch 67 of cartons. The label 66 can include human readable, machine-readable indicia and/or be an RFID tag. Such indicia or RFID tag data may include but is not limited to an identification of the supplier and the product, the product expiration date and the packaging. The packaging code identifies whether the package is a single syringe, a carton of syringes or a case of syringes. In preparing one or a batch of cartons 34 for shipment, an R/W device 68 connected to a shipping computer 70 may be used to read data from, and write data to, the RFID tags 80 on the syringes 20 within the cartons 34. In addition, if applicable, the R/W device 68 may be used to read data from, and write data to, RFID tags associated with the labels 66. Thus, the shipping computer 70 is able to identify parameters, for example, type of syringe, type of contrast media, contrast media concentration, etc., and confirm that those parameters meet the specifications of a particular order. Thus, the R/W device 68 can

be used to write into either the RFID tags 60 on the syringes 20, and/or the RFID tags on labels 66, data including, but not limited to, the following:

- An identity of the customer.
- Purchase invoice and tracking number.
- Purchase order/shipment dates.
- Customer specific marketing data.
- Customer specific software updates for power injectors owned by the customer.

[0101] The cartons 34 then enter the distribution channel 40 and are received by a receiving department 44 of an imaging facility such as the hospital 42. An example of a syringe stocking and preparation process is illustrated in Fig. 7. Upon receiving the cartons 34, a R/W device 72 connected to a shipping/receiving computer 74 reads, at 602, the syringe RFID tags 60 and/or the shipping carton RFID tags 66. As shown in Fig. 3A, the shipping/receiving computer 74 stores the read data in an inventory database 76. The shipping/receiving computer 74 is connected via a communications link, for example, an Ethernet LAN, etc., to a hospital administration computer 78 and other computers; and one or more versions of the inventory database 76 can be maintained in any of those computers. Thus, the receiving computer 76, or another computer, is able to confirm that the delivered syringes conform to hospital purchase orders and, if applicable, automatically authorize payment of invoices therefor. Further, via the shipping/receiving computer 74, the syringe RFID tags 60 within the cartons 34 can, at 604, be updated with other data including, but not limited to:

- A time and date that the container was received.
- A hospital SKU code.
- Doctor related information.
- Patient related information.
- An identity of a stock room or other storage area.
- An identity of a particular preparation room and/or imaging suite in which the pharmaceutical is to be used.
- An identity of a particular power injector, which is to be used.

[0102] Thereafter, at 606, cartons are delivered to a room 46. As seen in Figs. 3A and 1A, within the room 46, a R/W device 77 connected to a computer 79 can be used to read the syringe RFID tags 60 and update a database within the computer 79. Further, or alternatively, as shown in Fig. 3A, the computer 79, via the

communications link 80, can be used to update the inventory database 76 within administration computer 78, thereby confirming delivery of the syringes to the room 46 from the shipping/receiving area 44.

[0103] The communications link 80 may be implemented by an Ethernet, USB, RS-232, RS-422, or other interfaces that use a standard I/O-based communications protocol, such as IEEE 802.3, particularly IEEE 802.11b/g, or other comparable wired or wireless connection.

[0104] Subsequently, instructions are provided to move a shipping carton 34 from the room 46 to a preparation room 48. The R/W device 77 is used to read the RFID tags, at 606, and find the cartons 34 containing the desired syringes. Further, reading the RFID tags permits an identification of the oldest inventory. (Since contrast media has a shelf life, it may be appropriate to follow a first-in/first-out inventory procedure.) Thereafter, at 608, an identified shipping carton 34 is delivered to the preparation room 48.

[0105] In the preparation room 48, the syringes 20 are removed from a carton 34 and placed in the warmer 36 to bring the contrast media up to about body temperature. As shown in Figs. 1A, 3A and 4, an R/W device 81 is connected to a warmer control 82 having a user interface 86. The warmer control 82 is electrically connected to an imaging information system 87 that, in turn, is connected to the communications link 80, and hence, to the other computers in the hospital 42. Upon placing a syringe in the warmer 36, the R/W device 81 reads, at 610, a respective RFID tag 60 and transmits data with respect to the syringe 20 to a work-in-process database 84 in the imaging information system 87 as illustrated in Fig. 3A. Further, or alternatively, the imaging information system 87, via the communications link 80, can be used to update the inventory database 76, thereby allowing other computers to track information written to and read from the syringe RFID tags 60 in the warmer 36. R/W device 81 may also write to each RFID tag 60 the time and date each respective syringe 20 is placed in the warmer 36. Further, upon a technologist requesting, via the user interface 86, a particular contrast media, the warmer control 82 can, via the user interface 86, identify to the technologist a particular syringe inside the warmer 36, such as the syringe that has been in the warmer for the longest period of time. (Not only does contrast media have a limited shelf life, but the time spent in the warmer 36 should also be limited. Thus, inventory in the warmer 36 may also be handled on a first-in/first-out basis.) Upon removing a syringe 20 from the warmer, at 612, the R/W

device 81 writes the removal time and date to a respective RFID tag 60 and reads data identifying the syringe being removed. The work-in-process database 84 and other databases are appropriately updated; and the warmer control 82 via the user interface 86 confirms to the technologist that the correct syringe has been removed.

3 [0106] Referring to Figs. 1A, 3A, 4 and 5A, one or more syringes 20a, 20b are then inserted into an imaging holder 25a and/or 25b respectively, and/or both of the mounts or faceplates 88a, 88b that are attachable on a powerhead 90 of a powered fluid injector 50 in a known manner. An exemplary injector is shown and described in U.S. Patent Application No. 10/964,003, the entirety of which is hereby incorporated  
10 by reference. Although the powerhead 90 discussed herein is a dual head injector, embodiments of the present invention explicitly contemplate single head injectors as well. A suitable single-head injector is shown in U.S. Patent No. 5,300,001, the entirety of which is hereby incorporated by reference.

[0107] In the illustrated application, in which the injector receives multiple syringes, a  
15 user-filled syringe having a volume of about 200 ml is mountable in a pressure jacket 250 of faceplate 88a. Further, a pre-filled syringe having a volume in excess of about 90 ml or more may also be mountable in faceplate 88b. The injector powerhead 90 includes hand-operated knobs 92a and 92b that are operative via an injector control circuit to control motors within respective plunger drives 95a, 95b. The plunger drives  
20 95a, 95b are operable to move plungers within the respective syringes 20a, 20b in a known manner. Exemplary operations of a powerhead 90 and injector control 93 are shown and described in U.S. Patent Application No. 10/964,002, the entirety of which is hereby incorporated herein by reference. Additional exemplary operations are described in U.S. Patent Nos. 5,662,612, 5,681,286 and 4,730,170, the entirety of  
25 which are hereby incorporated by reference. As seen in Fig. 3A, the injector control 93 is electrically connected to the hospital information system 73 via the communications link 80, and/or may be otherwise electrically connected to the imaging information system 87 by a communications link that uses a technology such as those noted above with reference to the communications link 80.

30 [0108] The injector powerhead 90 has a user interface 94, for example, a touch screen, for displaying current status and operating parameters of the injector 50. Powerhead 90 is often mounted to a wheeled stand 100, which permits easy positioning of the powerhead 90 in the vicinity of the examination subject 52. The injector 50 also has a remotely located console 96 with remote user interface 97, for

example, a touch screen, a power supply 98 and other switches and components (not shown). The console 96 may be used by an operator to enter programs and control the operation of the injector 50 from a remote location in a known manner. It will be appreciated that elements of the injector control 93 may be incorporated into the powerhead 90 or may be incorporated in other elements of the injector such as the power supply 98 or console 96, or may be distributed among these elements,

[0109] The faceplate 88b has an outward extending cradle 99 that supports a heater 103 mounted on a printed circuit ("PC") board 102. The heater 103 is electrically connected to the injector control via a cable or connector and is operable by the injector control 93 to heat the syringe 20b in a known manner. The PC board 102 further supports a R/W device 104b and an associated antenna system 229b. The R/W device 104b is also electrically connected to the injector control 93 and console 96. Further, the R/W device 104b may be activated by the injector control 93 to read data from an RFID tag 60b on a respective syringe 20b. Data may be written to, and/or read from, the RFID tag 60b at any specified time when a syringe 20b is in proximity of a respective faceplate 88. Thus, the system has the ability to determine when syringes 20a, 20b are mounted in the respective faceplates 88a, 88b. The data may be encrypted, and the data and data transfer may comply with 21 CFR 11, JCAHO, and HIPAA requirements.

[0110] One example of a process for utilizing the syringe 20b within the imaging suite 26a is shown in Fig. 8. This example is described principally with respect to the syringe 20b loaded in faceplate 88b; however the description is equally applicable to the syringe 20a loaded in faceplate 88a. The description is further applicable to an injection process in which media is dispensed from both syringes 20a, 20b, either sequentially or simultaneously. Simultaneous dispensing from both syringes may be done at controlled and selected flow rates to achieve any desired concentration of the resulting mixture of media and/or media and saline in the two syringes.

[0111] Referring to the process of Fig. 8, first, at 702, the R/W device 104b is activated to read data stored in the RFID tag 60b relating to contrast media or other pharmaceutical and its associated pre-filled syringe or other container 20b. As shown, at 704, that information includes, but is not limited to:

- A container identification and/or serial number that is checked against a database of previously used containers to block, if appropriate, a potential reuse of the container.

– A container security code, which may be matched with the security code of the injector being used.

– Information relating to container volume and volume delivery to assist the technologist in setting up the injector.

5       – Syringe volume and/or dimension information in order to provide a more precise real time dispensing control of volume.

– Pharmaceutical type and concentration data to confirm it is correct for a selected protocol.

10       – ID, batch and lot numbers that can be used to test the container and/or pharmaceutical against recall data.

– Shelf life data and fill date, which is compared to a current date to determine whether a recommended shelf life has been exceeded.

15       [0112] The RFV device 104b also writes the current time and date to the RFID device 60b to permit tracking of open-to-atmosphere time for the syringe 20b, which is also limited. During the contrast media injection process, the displacement of the syringe plunger is precisely controlled in accordance with data read from the RFID tag 60b relating to available syringe volume and/or dimensions thereof. Further, plunger feed is tracked, so that the contrast media remaining in the syringe can be continuously determined.

20       [0113] The faceplates 88a, 88b have a bidirectional communications link with the injector control 93, which may be used to transfer any of the above information between the syringes 20a, 20b and the injector control 93. Thus, the injector control 93 may have syringe and drug information that may facilitate a procedure setup and result in reduced time and error. In addition, the injector control 93 may read or write other information to and from the faceplates 88a, 88b, which is not directly pertinent to syringe information. Examples of this may include, but are not limited to:

– Enabling or disabling of the faceplate electronics.

– Heating of the faceplate for contrast media warming.

30       [0114] In step 706 of Fig. 8, the media is used in connection with a procedure (as seen in Fig. 7, before, during and after) of the contrast media, a technician operates a CT scanner control 101 that is effective to cause a CT scanner 103 to scan a patient 105 shown in phantom. The injector control 93 may have one or more interfaces to a CAN communications bus 111, which is a known interface for the CT scanner control 101. The protocol is defined by the scanner manufacturers. Data and



data transfer between the injector and scanner comply with 21 CFR 11, JCAHO, and HIPAA requirements.

[0115] Returning to Fig. 8, as shown at 706, data transfer between the injector control 93 and CT scanner control 101 may be bi-directional and may relate to the contrast media or other pharmaceutical and its associated prefilled syringe or other container 20b. Such data includes, but is not limited to, the following:

- Pharmaceutical brand name, concentration, lot number.
- Pharmaceutical expiration date, volume.
- Injected volume, flow rate (achieved, target).
- Injection time.
- Patient name, weight, age, ID number, for example, SS no., hospital ID, etc.
- Injector serial number, firmware version.
- Procedure number and/or name.
- Technologist name and/or identification number.
- Hospital name and/or identification number.
- Used or unused status of container.
- CT scanner setup and procedure information.
- CT scanner ID and/or serial no.
- CT images.
- Hospital information system data.
- Injector functional control.
- CT scanner functional control.

[0116] Upon the injector control 93 determining that the desired volume of contrast media has been delivered, the injection process is stopped. At the end of the injection process, as shown in Fig. 8 at 708, the injector control 93 is operative to determine an exact volume of contrast media injected; and the injector control writes to the RFID tag 60b and/or updates the imaging information system 97 with data and information that includes, but is not limited to the following:

- Time and date that the injection procedure was finished.
- Injected volume, flow rate (achieved, target).
- Volume of pharmaceutical remaining in the container.
- Injection time.
- Patient name, weight, age, ID number, for example, SS no., hospital ID, etc.
- Injector serial number, firmware version.

- Procedure number and/or name.
  - Technologist name and/or identification number.
  - Hospital name and/or identification number.
  - Used or unused status of syringe.
- 5        - CT Scanner Information.

[0117] As illustrated in Fig. 4, the injector control 93 has an interface providing a communications link 107 to a hard-copy printer 109. The printer 109 may be, but is not limited to, a thermal, ink-jet, or laser based printer. The printer 109 may be used to print pages and/or labels of various sizes and colors at specified times upon

10 requests of a user, the CT scanner control 101, the hospital information system 78, or the injector control 93. The labels may be made part of patient records, requisition sheets, or other forms. Data output and data transfer may comply with 21 CFR 11, JCAHO, and HIPAA requirements.

[0118] Returning to Fig. 6, as shown at 710, a label or page may be printed to provide

15 information relating to the contrast media or other pharmaceutical, its associated prefilled syringe or other container 20b, and the use thereof. Such information includes, but is not limited to, the following:

- Pharmaceutical brand name, concentration, lot number.
- Pharmaceutical expiration date, volume.
- 20        - Injected volume, pressure, flow rate (achieved, target).
- Injection time.
- Patient name, weight, age, ID number, for example, SS no., hospital ID, etc.
- Injector serial number, firmware version.
- Procedure number and/or name.
- 25        - Technologist name and/or identification number.
- Hospital name and/or identification number.
- Used or unused status of syringe.
- Graphs or charts, for example, pressure, flow rate, etc.
- CT scanner information.
- 30        - CT scan information.
- Open (white) space or blanks for tech initials, drawings, etc.

[0119] Thus, any of the above information can be exchanged between the injector control 93 and hospital information system 78. Potential uses for this capability include but are not limited to:

– Electronic inclusion of volume of contrast media injected and other procedure information in patient record.

– Electronic re-ordering of supplies

– Automated billing.

5           – Automated scheduling.

[0120] After the injection process, the injector control 93 can write to the RFID tag 60b to set a syringe-used flag that will help to prevent a reuse of the syringe 20b. The syringe 20b is then removed from the faceplate 88b; and if the procedure was aborted and the syringe was not used, it can be placed back into the warmer 86. In that  
10 process, information is read from, and written to, the RFID tag 60b as previously described. Further, the image information system 87 is also able to track the open-to-atmosphere time of the syringe and warn the technologists when an open-to-atmosphere time is exceeded.

[0121] If the syringe 20b removed from the faceplate 88b is empty, the syringe is  
15 typically transported to a disposal area 112 (Figs. 1A, 3A and 4); and prior to disposal, another R/W device 114 connected to one of the other computers 75 reads the RFID tag 60b. The inventory database 76 can thus track the identity of the syringe 20 being destroyed. Further, the syringe disposal information can be communicated to a  
20 supplier computer 116 via a communications link 118 as seen in Fig. 3A, for example, via the Internet 83, a telephonic connection, or other comparable wired or wireless connection.

[0122] In an alternative embodiment, empty syringes, instead of being destroyed, are returned to the supplier 24 for further processing, for example, disposal or refilling. In the latter example, the syringes 20 pass through the hospital shipping/receiving area  
25 44 and the RFID tags are again read to identify the syringes leaving the hospital; and the inventory database 76 is updated accordingly. Upon entering the supplier shipping/receiving area 38, the RFID tags 60b are again read to update a supplier inventory database 120 tracking syringes within the supplier's facilities. The RFID  
30 tags 60b on the syringes 20 are updated or replaced depending on whether the syringe is destroyed or reconditioned and refilled by the supplier.

[0123] In the system shown and described herein, the injector control 93 facilitates information collection and transfer throughout a CT procedure. The RFID-enabled syringes provide quicker and more accurate data recording, as well as an automated transfer of drug information. The printer allows for a hard copy of selected information

to be incorporated into the patient or hospital record. The CT interface via CAN, facilitates information flow and collection at a single point, either the CT scanner system or the injector. The hospital information system interface improves this information flow a step further, potentially creating an all-electronic system with minimal user intervention; this provides the opportunity for reduced error and efficiency in the CT scanning suite.

[0124] With respect to another exemplary embodiment, on occasion, field engineers make service calls to a power injector, e.g. for routine maintenance or to diagnose failed operation. During such service calls, the field engineer is able to operate the injector in a "service" mode without having to install electrical jumpers in the injector control. Instead, referring to Fig. 5B, the service mode function is initiated by a field engineer using an intelligent Identification ("ID") card 122. Such an ID card 122 has an RFID tag 124 that incorporates an RFID chip and associated antenna in a known manner.

[0125] An exemplary process for using the ID card 122 for injector maintenance is shown in Fig. 9. As indicated at 802, the RFID tag 124 is loaded at the supplier facility 24 with data including, but not limited to, the following:

- An identification of the field engineer.
- Latest updates and software information.
- Specific software revisions.

[0126] To initiate service of a power injector, the field engineer places the ID card 122 on an empty faceplate 88b, thereby allowing the R/W device 104b to read and write to the RFID tag 124. As indicated at 804 of Fig. 9, upon reading an appropriate identification and security code from the RFID tag 124, a field engineer identification and service time and date are stored in the injector control 93. Thereafter, the injector user interfaces 51, 52 (see Fig. 5A) are effective to switch the injector 50 into a service mode, thereby disabling several operational checks and features that are used in a normal injection cycle but which inhibit operating the injector 50 for service purposes. The R/W device 104 continues to periodically read the identification and security codes from the RFID tag 124. Upon failure to successfully read the RFID tag 124, for example, because the ID card 122 has been removed from the faceplate 88b, the injector control 93 automatically switches the injector 50 out of the service mode. Thus, the previously disabled operational checks and features are re-enabled, and the injector is ready to operate in a normal injection cycle. Further, at 804, the injector

control 93 is operative to read from the RFID tag 124 information and data relating to factory updates to the injector components and software.

[0127] In the process of servicing the injector 50, as indicated at 806, the field engineer initiates uploads of software upgrades from the RFID tag 124 to the injector control 93. In addition, mechanical components are serviced, mechanical upgrades are installed and their operation is verified. As a final step of the service operation as indicated at 808, the injector control 93 writes to the RFID tag 124 on the ID card 122 data including, but not limited to, the following.

- The latest software revision installed.
- 10      – A confirmation that mechanical and software upgrades have been installed.
- The date of service and serial number of the injector.
- Protocol, statistics or details relating to the injector operation since the last service.

[0128] Upon the field engineer returning to the supplier facility 24, the RFID tag 124 is read; and the service information is stored in a history file associated with the particular injector that was serviced.

[0129] The use of an RF communications system between an RFID tag 60 on a container 20 and a power injector control 93 provides for further exemplary embodiments of the RF communications system. Known RFID systems use electromagnetic (EM) fields to communicate between an R/W device that includes a tuned antenna and one or more RFID tags or transponders. In one exemplary embodiment, the R/W device sends out data using EM fields at a specific frequency; and with passive RFID tags, this EM energy powers the tag, which in turn enables processing of this received data. Following receipt of the data, the RFID tag may transmit data that is received and processed by the R/W device.

[0130] An RFID is difficult to implement around metallic or diamagnetic materials, for example, water, saline or a medical fluid in a container such as a contrast media in a syringe. These materials absorb and/or reflect RF energy, making successful read-write RFID operations difficult, especially with the low power regulations for RF frequencies. In addition, the angle between any one of the RFID tag antenna and the plane of the R/W device antenna is critical. For optimum performance, the plane of the RFID tag antenna should be substantially parallel to the plane of the R/W device antenna. As shown in Fig. 10, for single plane antennas, as an acute angle 200 between an RFID tag antenna plane 202 and an R/W device antenna plane 204

increases, a signal strength coupling the antennas in the two planes 200, 204 decreases. In other words, as the angle 200 increases, the RF signal strength transferable from the R/W device antenna to the RFID tag antenna decreases. Similarly, the signal strength transferable from the RFID tag antenna back to the R/W device antenna also diminishes. Further, that signal strength is substantially equal to the output signal strength of the R/W device antenna minus any attenuation from metallic and diamagnetic materials divided by the cosine of the angle 200.

[0131] Referring back to Fig. 5A, orientation of the syringe 20b places the RFID tag antenna 210 relatively close to the R/W device 104b, and therefore, coupling RF signals therebetween to facilitate reading data from, and/or writing data to, the RFID tag 60b. However, with the syringe 20b oriented as shown in Fig. 11, contrast media in the syringe 20b is between the RFID tag antenna 210 and the R/W device 104b. The contrast media attenuates the RF field strength from the antenna of the R/W device 104b and interferes with its RF coupling with the RFID tag antenna 210.

[0132] In one exemplary embodiment of the invention, referring to Fig. 12, a syringe 20b having a label 30b with an antenna 210 and RF driver 212 is positioned above faceplate 88b, ready to be loaded therein. A first PC board 102 and a second PC board 103 are mounted in faceplate 88b, so as to be nonparallel. The PC boards 102, 103 form sides of a V-shape and thus, form an angle of less than 180 degrees therebetween. PC board 102 supports a first antenna loop 220 and its associated tuning circuit 226, and PC board 103 supports a second antenna loop 222 and its associated tuning circuit 228. The first and second antenna loops 220, 222 and respective tuning circuits 226, 228 are connected to an R/W RF driver circuit 224b through a switching circuit 241b to collectively form the electromagnetic R/W device 104b. In an alternative embodiment, the R/W RF driver circuit 224b and switching circuit 241b may be mounted on a separate PC board 102b (shown in phantom), which is located beneath, and electrically connected to, the PC board 102. In other embodiments, the R/W RF driver circuit 224b and/or the switching circuit 241b may be mounted in the power head 90 in association with the injector control 93.

[0133] Further, as shown in Figs. 13A-13D, an antenna system 220b comprising the antenna loops 220, 222, respective tuning circuits 226, 228 and switching circuit 241b is connectable in different electrical configurations to achieve an optimum RF coupling between the R/W device 104b and the RFID tag 60b.

[0134] Referring to Fig. 13A, power from the R/W RF driver circuit 224b is applied to the input 230 of a tuning circuit 226 that is connected to a signal lead 231 of the primary antenna loop 220 on PC board 102. Further, input 234 of the tuning circuit 228, which is connected to a signal lead 235 of the secondary antenna loop 222 on PC board 103, is left open or floating. A primary antenna loop ground lead 232 is connected to ground with the secondary antenna loop ground lead 236. In this configuration, the powered primary antenna loop 220 on PC board 102 is tuned to a frequency indicated by a protocol of the RFID tag 60b, for example, about 13.56 Megahertz, which permits propagation of the RF signal into the surrounding area. An RF signal from the primary antenna loop 220 is coupled with the secondary antenna loop 222 on PC board 103, because the secondary antenna loop 222 is also tuned to resonate at about 13.56 Megahertz.

[0135] The angled, V-shape orientation of the PC boards 102, 103 and respective areas of antenna loops 220, 222 provide an expanded or increased total antenna area for the R/W device 104b. Thus, with the antenna configuration of Fig. 13A, as shown in Fig. 12, an effective antenna area extends circumferentially around a substantially greater area of a syringe 20b than is possible with the single PC board 102 shown in Fig. 5A. Further, the antenna power provided by the RF driver circuit 224b is also spread over a larger area represented by the combined areas of antenna loops 220, 222. Upon the syringe 20b being loaded onto the faceplate 88b, with some orientations of the syringe 20b, the larger antenna area shown in Fig. 13A improves the RF coupling with the antenna 210 of the RFID tag 60b.

[0136] As shown in Fig. 13B, antenna loop 222 on PC board 103 can be made the primary loop by disconnecting or opening an input 230 of the tuning circuit 226 and connecting the tuning circuit input 234 of the antenna loop 222 to the power output of the R/W RF driver circuit 224b. First antenna loop ground lead 232 and second antenna loop ground lead 236 continue to be connected to ground. Again, both antenna loops 220, 222 are tuned to resonate at the RFID tag frequency, that is, about 13.56 Megahertz. The antenna configuration of Fig. 13B may provide better RF coupling with the antenna 210 of the RFID tag 60b depending on the orientation of the syringe 20b and thus, the circumferential location of the RFID tag 60b.

[0137] Another configuration of the antenna loops 220, 222 is shown in Fig. 13C wherein the tuning circuit input 230 of the first antenna loop 220 is connected to the power output of the R/W RF driver circuit 224b; and first antenna loop ground lead

232 is connected to ground. The tuning circuit input 234 and ground lead 236 of antenna loop 222 are connected to ground, which prevents the second antenna loop 222 from resonating at the RFID tag frequency, which, in this application, is 13.56 MHz. This effectively reduces the area of the antenna system 229b to the area of the primary antenna loop 220, and all of the power from the R/W RF driver circuit 224b is applied across the area of the primary antenna loop 220, which is tuned to resonate at the RFID tag frequency, that is, about 13.56 Megahertz. Upon the syringe 20b being loaded onto the faceplate 88b, depending on the orientation of the syringe 20b and the RFID tag antenna 210, the smaller antenna area of the circuit in Fig. 13C may improve the RF coupling with the antenna 210 of the RFID tag 60b.

[0138] Referring to Fig. 13D, alternatively to Fig. 13C, the tuning circuit input 234 of the second antenna loop 222 on PC board 103 is connected to the power output of the R/W RF driver circuit 224b; and tuning circuit input 230 of the first antenna loop 220 is connected to ground along with antenna loop ground leads 232 and 236. Thus, the first antenna loop 220 does not resonate at the RFID tag frequency of 13.56 MHz; and only the second antenna loop 222 is tuned to resonate at that frequency. With some orientations of the syringe 20b, this antenna configuration provides the best RF coupling with the antenna 210 of the RFID tag 60b.

[0139] In some applications, a user may be instructed to load the syringe 20b in the faceplate 88b so that the label 30b is always in the same orientation. Or, in other applications, the RFID tag 60b may be removable from the syringe and mountable at a fixed location on the injector 50. In those applications, an R/W antenna can be designed and placed in a fixed location to have optimum RF coupling with an RFID tag. However, in still further applications, a user may have no limitations on where the RFID tag 60b is located on the syringe 20b or how the RFID tag 60b is oriented when the syringe 20b is mounted on a faceplate 88b. In those applications, the RFID tag 60b may have any circumferential location around a barrel of the syringe 20b or within the faceplate 88b. Further, in such applications, it is difficult to precisely predict which of the antenna configurations in Figs. 13A-13D will provide the best RF coupling with an RFID tag having an unknown orientation with respect to R/W antenna 220. This is due, in part, to the complex and somewhat unpredictable EM fields formed around materials that reflect and/or absorb such fields. Therefore, in another exemplary embodiment of the invention, all of the antenna configurations of Figs. 13A-13B may be utilized.



**[0140]** Referring to Fig. 14, switches 238, 240 on PC board 102 comprise the switching circuit 241b, which is used to selectively connect respective tuning circuit inputs 230, 234 to either a power output or terminal 242 from R/W RF driver circuit 224b, a ground terminal 244 or an open state represented by contacts 246. The ground leads 232, 236 of respective antenna loops 220, 222 are always connected to the ground 244. The contacts of switches 238, 240 have notations to Figs. 13A-13D indicating the switch states corresponding to the antenna configurations of Figs. 13A-13D.

**[0141]** In use, referring to Figs. 12 and 15, a communications cycle is initiated either automatically by the injector control 93 detecting a syringe 200 being loaded into the faceplate 88b (such as by the movement of a mounting arm of the faceplate 88b, causing a magnet in the mounting arm to move into confronting relationship with a magnetic sensor in the injector), or manually by an operator providing an input to the injector control 93. In either event, the injector control, at 900, operates the switches 238, 240 to connect the antenna loops 220, 222 in a first of the four circuit configurations, for example, the circuit configuration shown in Fig. 13A. Thereafter, the injector control 93 initiates, at 902, a communications protocol between the R/W RF driver circuit 224b and the RF driver circuit 212 of the RFID tag 60b. Initiating a communications protocol is a known process by which the R/W RF driver circuit 224b causes the R/W antenna system 229b to emit an electromagnetic signal in order to establish a reliable RF coupling with the tag antenna 210 and thus, establish an RF communications with the RFID tag 60b. Upon establishing an RF communications, the R/W device 104b can read data from and/or write data to the RFID tag 60b.

**[0142]** If, at 904, the injector control 93 determines that the communications protocol and hence, the RF communications link, has been established, the injector control 93 commands, at 906, the R/W device 104b to proceed with the reading of data from, and/or the writing of data to, the RFID tag 60b. However, if, at 904, the injector control 93 determines that the communications protocol failed, and a successful RF communications between the R/W device 104b and the RFID tag 60b is not made, the injector control 93 determines, at 908, whether all antenna loop configurations have been tried. If not, the injector control 93 operates, at 910, the switches 238, 240 to connect the antenna loops 220, 222 into another one of the four circuit configurations shown in Figs. 13A-13B. Thereafter, the injector control 93 automatically iterates through the process steps 902-908 to reconnect the antenna loops 220-222 in

different circuit configurations in an attempt to establish a successful RF communications protocol or link. If, at 908, the injector control 93 has tried all of the antenna loop configurations without success, it sets, at 912, a protocol failure flag or error message.

5 [0143] Figs. 11-14 illustrate different embodiments of an antenna system 229b that may be employed with an electromagnetic R/W device 104b to read a data tag 60b applied to a syringe 20b mounted in an open faceplate 88b. In a further embodiment, referring to Fig. 5A, a syringe 20a, that often is a user-filled disposable syringe, is mounted within a translucent or transparent pressure jacket 250 of faceplate 88a. The syringe 20a is secured in the pressure jacket 250 by a cap 252 in a known manner. A data tag 60a is integrated into a label 30a applied to the syringe 20a, and the structure and operation of data tag 60a is substantially identical to the data tag 60b previously described. When utilizing the pressure jacket 250 of faceplate 88a, it is desirable that the data tag 60a be readable regardless of its orientation inside the pressure jacket  
15 250.

[0144] Referring to Figs. 5A and 16, in a further exemplary embodiment of an RFID communications system, to enhance readability of a data tag 60a, the pressure jacket 250 may be equipped with an antenna system 229a, which includes of an array of antenna loops 254, 256, 258 spaced about a circumference of the syringe 20a. While equal spacing of the antenna loops is shown, other spacing may be used. The pressure jacket 250 has inner and outer cylindrical sleeves 260, 262, respectively. As illustrated, the antenna loops 254, 256, 258 may be molded between the inner and outer sleeves 260, 262. Referring to Fig. 17, the antenna loops 254, 256, 258 have respective tuning circuits 264, 266, 268, which may be molded between the inner and outer cylindrical sleeves 260, 262. Tuning circuit input leads 270, 272, 274 and a ground lead 276 may be bundled into a cable 278 that extends from the face plate 88a to a switching circuit 241a located in the power head 90. The switching circuit 241a may operate in any appropriate manner, such as in a manner like that previously described with respect to the switching circuit 241b of Fig. 14. The switching circuit 241a may be controlled by a control circuit 221a that may be located in the power head 90. To exchange data with the data tag 60a, the R/W driver circuit 224a may execute a communications cycle utilizing the antenna loops 254, 256, 258 in a manner similar to that described with respect to Fig. 15. Thus, in initiating communications with the data tag 60a, the R/W RF driver circuit 224a may connect  
20  
25  
30

the antenna loops 254, 256, 258 in different circuit configurations in order to find a circuit configuration providing the most reliable communications with the data tag 60a. By using more than two antenna loops, less power may be required to initiate a communications cycle with the data tag 60a. In additional exemplary embodiments, while the antenna system 229a is shown as including three antenna loops, other embodiments may include other appropriate quantities and/or arrangements of antenna loops. While the antenna system 229a is shown as a component of the pressure jacket 50, other embodiments may include an antenna system having a plurality of antenna loops that is not associated with a pressure jacket.

[0145] In some embodiments, the antenna systems 229a, 229b may advantageously incorporate one or more antenna loops that can be powered individually, or mutually coupled together, to produce several tuned antenna and EM field configurations. In some environments, the antenna systems 229a, 229b may be characterized as providing an effective low power system for reading data from and/or writing data to a data tag that may be disposed at any location on a contrast media syringe. Moreover, that contrast media syringe may exhibit virtually any orientation relative to a faceplate of a power injector 50 with which it may be associated. Thus, the antenna systems 229a, 229b may positively address various challenges relating to use of an RF communications system around metallic or diamagnetic materials, e.g., water, saline, contrast media, or other fluids, and/or in a regulated environment that may mandate use of a relatively low power RF signal.

[0146] The exemplary embodiments described with respect to Fig. 1A relate generally to a life cycle of a container 20 such as a syringe filled with a pharmaceutical such as a contrast media. However, referring to Fig. 1B, a container life cycle 18b may relate to other types of containers 20c that are used to store radiopharmaceuticals. While much of the container life cycle 18b of Fig. 1B is generally similar to container life cycle 18a of Fig. 1A, radiopharmaceuticals require different handling and storage. The container 20c is schematically shown as a syringe, but the container 20c may be a vial or other container suitable for use with a radiopharmaceutical. Within the supplier facility 24, after the container 20c is filled with a radiopharmaceutical at a drawing-up or filling station 26, a quality control check of the radiopharmaceutical may be performed at quality control station 31. Thereafter, the container 20c is placed or loaded into a pig 33, which generally includes lead and/or other radiation shielding material to protect handlers from exposure to radiation from the radiopharmaceutical.

[0147] In a manner similar to that described with respect to container 20 of Fig. 1A, as shown in Fig. 1B, the loaded pig 33 may then be packaged either singularly or as a batch in an appropriate shipping carton 34 and shipped to a customer or user. Often, the cartons 34 are stored in a nuclear medicine department 29 within the hospital 42, which generally includes a radiopharmacy 46 and treatment room 20b. As required, a radiopharmaceutical container may be removed from a pig and placed in a calibration tool 49 to calibrate an activity level of the radiopharmaceutical to a desired level prior to its use. The radiopharmaceutical container may then be placed back into the pig and at an appropriate time, the pig may be carried to a treatment room 26b. The radiopharmaceutical container may again be removed from the pig, and the radiopharmaceutical may be injected into a patient 52 either manually or using a powered injector such as that shown and described herein. In various embodiments, different manual or powered injectors may utilize various principles of the invention, and are thus, included within the scope of this disclosure.

[0148] After use, the radiopharmaceutical container may be placed in the pig and returned to the supplier facility 24; and at a post processing station 51, the radiopharmaceutical container may be disposed of and the pig may be cleaned for reuse.

[0149] An exemplary embodiment of a radiopharmaceutical container draw-up and packaging process implemented at a supplier facility 24 is illustrated in Fig. 6. A radiopharmaceutical container 20c is filled, at 502, with a radiopharmaceutical at a draw-up station 28. Thereafter, at 504, a label 30 and/or RFID tag 60 are applied to the radiopharmaceutical container 20c at the labeling station 32. The RFID tag 60 can be integrated with, or separate from, the label, and the RFID tag 60 incorporates an RFID chip and associated antenna in a known manner.

[0150] As shown in Fig. 18, the RFID tag 60 can be applied at any suitable location on a radiopharmaceutical container. For example, the RFID tag 60 can be part of a label 30 that is applied to a radiopharmaceutical syringe 20d or a radiopharmaceutical vial 20e. In the example of the radiopharmaceutical syringe 20d, an RFID tag can be applied to, or integrated into, the syringe barrel at various locations as previously described with respect to Figs. 2A-2D. In a further embodiment, the syringe label 30 may be removable; and immediately prior to the syringe 20d being loaded into a power injector, a portion of the label 30 including the RFID tag can be peeled off and applied to the injector or an associated reader. Upon removing the

radiopharmaceutical syringe 20d from the injector, the RFID tag 30 is reapplied to the radiopharmaceutical container 20d. An identical or different label 30 can also or alternatively be applied to a radiopharmaceutical syringe pig 33a or a radiopharmaceutical vial pig 33b. Further, a label 30 with an RFID tag 60 can be applied to a carton 34, for example, a satchel, designed to transport a plurality of pigs. [0151] Within the supplier facility 24 of Fig. 1B, a read/write ("R/W") device 62 is connected to a label computer 64 and, at 506 (Fig. 6), is operated to read data from and/or write data to the RFID tag 60 for a particular radiopharmaceutical container 20c. As shown in Fig. 3B, the draw-up station 28 may include a draw-up station computer 41 in electrical communications with an R/W device 43; and depending on the application, either or both of the R/W devices 43, 62 can be used to write data to the RFID tag 60, which data includes but is not limited to the data previously described with respect to step 506. With a radiopharmaceutical, the data may also include all of the dose and prescription information that is currently being printed on a prescription label and/or encoded into a bar code, measured radioactivity levels, for example, Tc-99 and Mo-99, and time when measured, an identity of radioactive elements used, for example, Tc-99 and Mo-99, their respective sources, and other suitable data.

[0152] Returning to Fig. 6, processes shown in phantom at 507 and 509 are performed that are unique to the radiopharmaceutical containers 20c. First, at 507, quality control checks may be performed (e.g., at a quality control station 31) to determine, for example, a purity of the radiopharmaceutical, the correctness of information on the label, dosage information, etc. As shown in Fig. 3B, the quality control station 31 may include a quality control computer 45 and an associated R/W device 47 that may be used to read data from and/or write data to the RFID tag 60

Depending on the quality control checks performed and/or other system specifications [0153] The container 20c may then, at 509, be inserted into a pig 33 for handling, storage and transportation. Label 65 can optionally be applied to the pig 33. The label 65 can include human-readable indicia, machine-readable indicia and/or an RFID tag as described with respect to the label 30. As part of the process of inserting the container 20c into the pig, either the R/W device 62 or another R/W device can be used to read data from and/or write data to the RFID tag 65. Data that can be written to the RFID tag 65 may include data written to the RFID tag 60 on the container 20c as well as data that includes, but is not limited to, the following:

- A unique identification number for the pig.
- An identity of a factory, production line, and/or batch number associated with the pig.
- A date and time at which the container was inserted into the pig.
- Any other data associated with the order, the radiopharmaceutical, its container 20c and associated pig 33.

[0154] At 508 in Fig. 6 (in a manner similar to that previously described with respect to Fig. 1A), one or more pigs 33 may be loaded into a shipping carton 34 (see Fig. 1B).

At 510, the cartons 34 may be stocked as inventory in a shipping/receiving

department 38. Based on orders received, as indicated at 512, the cartons 24 may be further combined or palletized into a case or batch 67 for shipment to a customer; and a label 66 can be optionally applied to an individual shipping carton 34 or a unified case or batch 67 of cartons.

[0155] Referring to Figs. 1B and 7, the cartons 34 may then enter the distribution

channel 40 and may be received by a receiving department 44 of a treatment facility such as the hospital 42. A stocking and preparation process may be executed in

process steps 602 and 604, which are similar to those previous described. Also in

step 606, cartons may be delivered to a hospital radiopharmacy 48 (or nuclear medicine department of a healthcare facility or other appropriate location), and within

the radiopharmacy 48, an R/W device 77 connected to a computer 79 can be used to read data from and/or write data to the pig RFID tags 65. As shown in Fig. 3B, the

computer 79, via the communications link 80, can also be used to update the

medicine tracking database 76 within the hospital administration computer 78.

[0156] Processes unique to radiopharmaceutical containers are shown in phantom at

607 and 609 in Fig. 7. Specifically, within the radiopharmacy 48, a calibration tool 49

is often used, at 607, to check or validate a radioactivity level of the dosage of the

radiopharmaceutical within a container. This check/validation can be performed using any appropriate process and/or calibration tool. As shown in Fig. 3B, the calibration

tool 49 may have a calibration computer 85 connected to an RFID reader 80 that,

during the check/validation process, can be used to read and/or write

check/validation data to the container RFID tags 30 and/or the pig RFID tags 65. This check/validation data may include but is not limited to

- A check/validation time and date.
- The decay factor or half life of the radiopharmaceutical.

- The prescribed activity level (curie level of radiation) at injection time.
- The activity level at another time, for example, the draw-up time.
- A measured radioactivity level
- A desired radioactivity level at time of treatment.

- 5           - An identity of the radioactive element injected.
- An identity of the calibration tool and operator, etc.

[0157] Continuing in Fig. 7, at the appropriate time, at 609, a pig 33 may be delivered to a treatment room for use. The radiopharmaceutical can be administered manually or using a power injector. In most, but not all cases, a syringe 20d or vial 20e

10 containing the radiopharmaceutical is removed from a respective pig 33 for manual administration; but in other applications, a power injector and process as previously shown and described with respect to Fig. 8 may be used. With a radiopharmaceutical, the R/W device 104 associated with the injector control 93 (see Fig. 3B) may write the current time and date to the RFID tag 60 to permit tracking of out-of-pig time (e.g., the

15 duration of time that a syringe or vial is not housed within the pig), if desired. During the radiopharmaceutical injection process, the displacement of the radiopharmaceutical container plunger may be precisely controlled, and plunger feed may be tracked (e.g., recorded and written to a tag associated with syringe and/or pig).

20 [0158] It should be noted that labeling systems described herein have potential for eliminating a need for the calibration tool 49. For example, the R/W device 104 of Fig. 3B can read a radioactivity level and time and date of measurement written into the RFID tag by the quality control station 31 (Fig. 1B). Injector control 93 can then calculate the time elapsed between the measured radioactivity level and the

25 scheduled treatment time and date. The injector control 93 can further calculate the decay in radioactivity level over the elapsed time; and then, being programmed with the prescribed radiopharmaceutical dose, the injector control can calculate the correct unit dose volume to be injected. Thus, a calibration tool 49 may not be required. If the radiopharmaceutical is to be injected manually, the computer 79 and associated

30 display 80 can be used by a caregiver or other appropriate person in a similar fashion to provide a display of the computed current unit dosage without using a calibration tool.

[0159] After the injection process, referring to Figs. 1B, 5A and 19, the radiopharmaceutical container 20c may be removed from the faceplate 88b and

placed back into a respective pig 33 as indicated at 802 in Fig. 19. The pig 33 may then be placed in the same or a different carton and, at 804, returned to the shipping department 44 and, at 806, returned to the supplier facility 24. As shown in 807, the label associated with the radiopharmaceutical container may be read just prior to disposal to assist in determining how long the container will have to be stored in a radiation-shielding disposal and/or storage container before substantially all of its radioactivity has decayed. For instance, the initial radioactivity of the radiopharmaceutical may be written to the tag at the time of filling the container.

Subsequent to that initial fill time, the radioactivity of that radiopharmaceutical decays.

Since the rate of decay is generally known, one may utilize the rate of decay and the duration of time that has passed from the initial fill time to determine how much storage time may be needed to sufficiently ensure that the spent container no longer has a significant amount of radioactivity associated therewith. This calculation of storage time may be accomplished manually and/or electronically (e.g., using an appropriate computer interconnected with the reader utilized to read the tag just prior to disposal).

[0160] At post processing station 51 within the supplier facility 24 (Fig. 1B), at 808, the used radiopharmaceutical container may undergo suitable processing for disposal and, at 810, the associated pig may be cleaned for reuse. During post processing, any of the computers previously described can be used to read data from and/or write data to the RFID tags on the container 20c, pig 33, carton 34 and/or pallet 67. Such activity may be application dependent to fulfill the needs of a particular supplier, customer, doctor and/or hospital. As shown in Fig. 3B, a post processing computer 53 may be connected to an R/W device 55 that can be used to read data from and/or write data to the RFID tags 60 on one or both the radiopharmaceutical container or the pig. The post processing computer 53 may be able (via a communications link 57) to update a supplier inventory database 120 tracking radiopharmaceutical containers and pigs within the supplier's facilities. The RFID tags 60 on the radiopharmaceutical pigs 33 may be updated or replaced. Further, if desired, data relating to the radiopharmaceutical container 20c and pig 33 can be communicated from a supplier computer 116 to computer 70 within the hospital 42 via a communications link 118, for example, an Internet connection, a telephonic connection, or other suitable link.

[0161] In methods as contemplated herein, RF tags 60 may be applied to a radioactive pharmaceutical container 20c that is subsequently placed in a lead lined pig 33. In



such a circumstance, the pig limits the usability of the RF tags 60 and may prevent use thereof unless the container 20c is removed from the pig 33. Therefore, it would be highly desirable to be able to read data from, and write data to, the RF tag 60 on the radiopharmaceutical container 20c when it is stored inside the pig 33. Such is achieved by an exemplary embodiment of a pig-mounted antenna system, as shown in Figs. 20-22.

[0162] Referring to Fig. 20, in a first embodiment, a radiopharmaceutical pig 33b has an elongated base 322 and an elongated cap 324. The base 322 and cap 324 may be formed in any of a wide variety of shapes and sizes, however, a substantially cylindrical shape is illustrated. The cap 324 is joined to the base 322 by a threaded interconnection 325 in a known manner. A cap shielding element 326 within the cap 324 and a base shielding element 328 within the base 322 are used to block radiation that may be emitted from the radiopharmaceutical within a syringe 20c. The shielding elements 326, 328 can be formed from any material that is effective to block radiation, for example, lead, tungsten, a filled polymer composite material, etc. The cap shielding element 326 forms a protrusion 329 that overlaps the base shielding element 328 when the cap 324 is mounted on the base 322. This overlap of the shields 326, 328 facilitates a blockage of radiation through a discontinuity in the shields caused by the cap 324 being separable from the base 322.

[0163] The cap 324 further has a cap shell 330 comprised of an outer shell portion 332 and an inner shell portion 334. Similarly, the base 322 has a cap shell 336 comprised of an outer shell portion 338 and an inner shell portion 340. The base and cap shells 328, 330 are made from a plastic material, for example, a polycarbonate resin, etc.

[0164] A label 30 is affixed to the radiopharmaceutical syringe 20c by known means, for example, an adhesive, tape, elastic bands, etc. Indeed, the label 30 may be affixed to the radiopharmaceutical syringe 20c in any appropriate manner (e.g., so that it is not easily removable). The label 30 contains indicia 346 that is in human readable and/or machine readable form. The label 30 further has an RFID tag 60 that comprises an RFID integrated circuit chip 212 and at least one radio frequency antenna 210. The radiopharmaceutical syringe 20c is often manufactured at a facility independent of the healthcare facility where it is to be used. Therefore, data relating to the radiopharmaceutical syringe 20c is often collected at the point of its manufacture. Further, additional data is often collected at different points in a distribution channel at which the radiopharmaceutical pig 33b containing the

radiopharmaceutical syringe 20c is handled. Data is also collected upon the radiopharmaceutical syringe 20c being used and thereafter, upon its disposal or cleaning for an authorized reuse. Thus, over the life of the radiopharmaceutical syringe 20c and associated radiopharmaceutical pig 33b, data that can be written into the RFID tag 60 at different times in the life cycle of the syringe 20c has been previously described. Such data includes but is not limited to the decay factor for a radiopharmaceutical (e.g., half life of pharmaceutical), its prescribed activity level (curie level of radiation) at injection time, the activity level at another time (such as filling time), and/or the time at which the preparing physician or radiopharmacist assumed the radiopharmaceutical would be injected. The activity level is a function of time due to the short half life of most radiopharmaceuticals, so the activity level is designed for a specific injection time.

[0165] In order to obtain a maximum benefit from the data stored within the RFID tag 60, it is necessary to be able to read the tag when the radiopharmaceutical syringe 20c is housed within the radiopharmaceutical pig 33b. In the embodiment of Fig. 20, at least one radio frequency inner antenna 358 is applied over an inner surface of the inner base shell 340; and at least one radio frequency outer antenna 364 is applied over an outer surface of the outer base shell 338. A hole 360 extends through the inner base shell 340, the base shield 328, and the outer base shell 338. At least one connecting lead 362, for example, a copper wire lead, extends through the hole 360 and has one end connected to the inner antenna 358 and an opposite end connected to the outer antenna 364.

[0166] The inner antenna 358 is designed to couple with the RFID antenna 210 connected to the RFID chip 212. The outer antenna 364 is designed to electromagnetically couple with a read/write ("R/W") device 366 in the same way that the RFID antenna 210 would couple with the R/W device 366. The R/W device 366 is connected to a computer 368 in a known manner. The R/W device 366 electromagnetically couples with the RFID antenna 210 via the inner and outer antennas 358, 364 respectively. Therefore, any time the radiopharmaceutical pig 33b is handled in its life cycle, the R/W device 366 can be used to read information from, and/or write information to, the RFID chip 212 of the RFID tag 60 on the radiopharmaceutical syringe 20c via an RFID antenna system comprising the antennas 210, 358, 362, 364. It should be noted that the antenna may simply

comprise leads of a sufficient length to be used as an RFID antenna, in which case there may not be a coiled antenna section 364.

[0167] Another exemplary embodiment of a radiopharmaceutical pig 33b and radiopharmaceutical syringe 20c utilizing the RFID tag 60 is shown in Fig. 21. In this embodiment, inner and outer antennas 358, 364 are located on respective inner and outer surfaces 370, 372 of a top of the cap 324. The antennas 358, 364 are electrically connected by at least one lead 362 extending through a hole 374 in the top of the cap 324. The R/W device 366 is able to electromagnetically couple with the RFID antenna 210 via the inner and outer antennas 358, 364 respectively. Therefore, at any time the radiopharmaceutical pig 33b is handled in its life cycle, the R/W device 366 can be used to read information from, and/or write information to, the RFID chip 212 of the RFID tag 60 on the radiopharmaceutical syringe 20c via an RFID antenna system comprising the antennas 210, 358, 364.

[0168] Placing the antennas 358, 362 in the top of the cap 324 has some advantages. First, the top of the cap 324 often experiences less radiation exposure than the base shell 336. Further, the cap outer surface 372 often experiences less physical contact than the base outer shell 338 during the handling of the radiopharmaceutical pig 33b; and hence, the outer antenna 362 on the cap outer surface 372 is less subject to physical damage.

[0169] A further exemplary embodiment of a radiopharmaceutical pig 33b and radiopharmaceutical syringe 20c utilizing an RFID tag 60 is shown in Figs. 22 and 22A. In this embodiment, the RFID tag 60 has an RFID chip 212 on a first portion of a label 30c that is attached to the radiopharmaceutical syringe 20c in a manner described earlier with respect to Fig. 20. A second portion of the label 30c is located outside of the radiopharmaceutical pig 33b and has at least one RFID antenna 210 thereon. The RFID chip 212 on the first label portion 30c is electrically connected to the antenna 210 by at least one electrically conductive lead 376 integral with a tether 378. The conductive lead 376 and tether 378 may be formed from any materials that provide the desired electrical and mechanical properties, for example, an insulated or uninsulated copper wire, a copper trace laminated on a substrate, etc. The threaded connector 323 is designed to provide a clearance for the conductive lead 376 and tether 378, so that the cap 324 can be attached and removed from the base 322 without damaging the conductive lead 376 and tether 378. The R/W device 366 is able to electromagnetically couple with the RFID antenna 210, and the RFID antenna

210 communicates data to and from the RFID chip 212 via the conductive lead 376. Therefore, at any time the radiopharmaceutical pig 33b is handled in its life cycle, the R/W device 366 can be used to read information from, and/or write information to, the RFID chip 212 of the RFID tag 60 on the radiopharmaceutical syringe 20c via an RFID antenna system comprising the antenna 210 and conductive lead 376.

[0170] In use, upon receiving an order for a radiopharmaceutical, a label 30 having an RFID chip 212 and associated antenna 210 is applied to the radiopharmaceutical syringe 20c, and the radiopharmaceutical syringe 20c can be placed in a radiopharmaceutical pig 33b. At that time, data including but not limited to the identity of the syringe and pig can be written to the RFID tag 60 in a manner previously described with respect to Figs. 1A and 1B. The radiopharmaceutical syringe 20c and pig 33b are then transported to a location where the syringe 20c is filled with a desired radiopharmaceutical. This location may be at a radiopharmaceutical supplier or a location of a user of the radiopharmaceutical syringe 20c. In either event, regardless of where the radiopharmaceutical syringe 20c is filled, as previously described, data can be entered into the RFID tag 60 relating to the filling process, the radiopharmaceutical being filled, and the how the radiopharmaceutical is to be used. After being filled, the pig 33b holding the syringe 20c filled with the radiopharmaceutical may be transported and stored several times before it is delivered for use in a preparation and/or imaging room. During use, the syringe 20c is removed from the pig 33b, and the radiopharmaceutical is injected into an examination subject or patient. After use, the empty syringe 20c is placed back in the pig 33b and returned to the pharmaceutical supplier or other location for proper disposal of the radiopharmaceutical syringe 20c and reconditioning of the radiopharmaceutical pig 33b for reuse.

[0171] Every time the radiopharmaceutical pig 33b and/or radiopharmaceutical syringe 20c is handled over their respective life cycles, in a manner as previously described, an R/W device 366 can be used to read data from, and/or write data to, the RFID tag 60, thereby providing complete chronological history of the radiopharmaceutical pig 33b and syringe radiopharmaceutical 20c over the respective life cycles. The systems illustrated in Figs. 1A, 3A, 1B, 3B have an advantage in that almost any information is able to be transferred between all entities involved in a life cycle of a syringe 20, which is any entity that can communicate with the communication link 80. Therefore, data available from a website on the internet 83 can be utilized during the life cycle of the

syringe 20. Such internet communications capabilities permits remote service of a power injector 50, downloading of an injection protocol, communication with a remote server located at a pharmacy, media supplier, or other facility of interest and other functions.

5 [0172] While the various principles of the invention have been illustrated by way of describing various exemplary embodiments, and while such embodiments have been described in considerable detail, there is no intention to restrict, or in any way limit, the scope of the appended claims to such detail. Additional advantages and modifications will readily appear to those skilled in the art. For example, in the described  
10 embodiments of Figs. 20-22, an RFID chip 212 may be positioned inside the pig. In some embodiments, the chip 212 may be located outside the pig along with an associated antenna, and the chip may be physically attached to the syringe 20c by a string or other attachment so that the radiopharmaceutical syringe 20c and RFID information therein remain associated. Alternatively, the pig 33b may carry an RFID  
15 tag and antenna with no mechanical attachment to the syringe, but it may simply be known that the data therein relates to the syringe that is in the pig.

[0173] Further, in the exemplary embodiments shown and described herein, the antenna systems 229a, 229b use one, two and three antenna loops; however, in  
20 alternative embodiments, any number of antenna loops may be used. The antenna loops may be configured in any shape and be in the same plane or in different planes. Further, the antenna loops may or may not be overlapping. In may, however, be preferable that the antenna loops be individually tuned to resonate at a specific frequency used by the RFID protocol. Further, in the described embodiment, a switching circuit 241b is located on the same PC board 102 as an RF driver circuit  
25 224b; however, in alternative embodiments, a switching circuit may be located on the second PC board 103, be split between the two PC boards 102, 103 or located elsewhere, for example, with the power injector as shown in Fig. 17.

[0174] In addition, in the described embodiments, the R/W antenna systems 229a, 229b are applied to a pharmaceutical injection assembly; however, in alternative  
30 embodiments, the R/W antenna systems 229a, 229b utilizing multiple nonparallel antennas may be applied to any devices that support a medical fluid container. Such devices include but are not limited to a warmer oven or warming box, a container filling station, a pig or other nuclear medicine container, a dose calibration station, a handheld powered medical fluid dispenser, a syringe disposal station, or other device.

[0175] The systems of the described embodiments relate to containers of medical fluids. Two examples described in detail relate to contrast media and respective syringes and needles, and pharmaceuticals and respective syringes. In alternative embodiments, referring to Fig. 1C, the container may be an IV bag 130 filled with a medical fluid. Tubing 132 from the IV bag 130 may be connected with an infusion pump 134 so that a flow of medical fluid from the IV bag 130 may be regulated via use of the pump 134. While one end of the tubing 132 is generally associated with the IV bag 130, the other end of the tubing 132 may be connected to a patient in a known manner. The IV bag 130 may have a label 30 with a data tag 60 as previously described herein, for example, an RFID tag. Further, the infusion pump 134 may be in electrical communication with an electromagnetic device capable of reading data from and/or writing data to the data tag 60 of the IV bag 130. For example, the electromagnetic device may be attached to and/or located within the infusion pump 134. As shown in Fig. 3C, the infusion pump 134 may have a control 136 connected to the communications link 80 in a manner similar to that described with respect to the injector control 93 shown in Figs. 1A and 1B. Thus, the systems of Figs. 1C and 3C may permit activity relating to the IV bag 130, the medical fluid therein, and/or the infusion pump 134 to be tracked and recorded (e.g., over a life cycle of the IV bag 130).

[0176] There are many known structures for mounting a syringe to a power injector, and the faceplates shown and described herein are only two such structures. Other mounting structures may not permit removal from the power head. The inventions claimed herein can be applied to power heads having any type of structure for mounting a syringe thereto. In the shown and described embodiment, a heater 106 is mounted on the PC boards 102, 103; however, in alternative embodiments, the heater 106 may not be used and therefore, deleted from PC boards 102, 103.

[0177] When introducing elements of the present invention or various embodiments thereof, the articles "a", "an", "the", and "said" are intended to mean that there are one or more of the elements. The terms "comprising", "including", and "having" are intended to be inclusive and mean that there may be additional elements other than the listed elements. Moreover, the use of "top" and "bottom", "front" and "rear", "above" and "below" and variations of these and other terms of orientation is made for convenience, but does not require any particular orientation of the components.

[0178] Therefore, the invention, in its broadest aspects, is not limited to the specific details shown and described herein. Consequently, departures may be made from the details described herein without departing from the spirit and scope of the claims, which follow.

**What is claimed is:**

1. A medical fluid administration device for supporting a syringe filled with a fluid between a plunger and a discharge tip from which the fluid is dispensed, the syringe having a data tag for storing data readable from the data tag, the administration device comprising:

a powerhead comprising a plunger drive adapted to be connectable to the plunger;

an administration device control operatively connected to the powerhead;

a pressure jacket mountable on the powerhead and adapted to receive and support the syringe; and

an antenna mounted on the pressure jacket and operative to transmit and receive electromagnetic signals respectively, to and from, the data tag to read data stored in the data tag.

2. The administration device of claim 1 further comprising:

a tuning circuit electrically connected to the antenna for tuning the antenna to a desired frequency; and

a driver circuit electrically connected to the tuning circuit and the administration device control, the driver circuit providing a drive signal to the tuning circuit causing the antenna to transmit and receive electromagnetic signals respectively, to and from, the data tag to read data stored in the data tag.

3. The administration device of claim 2 wherein the desired frequency is about 13.56 Megahertz.

4. The administration device of claim 1 wherein the pressure jacket is mounted on a forward end of the powerhead.

5. The administration device of claim 1 wherein the pressure jacket comprises:

an cylindrical inner sleeve; and



an cylindrical outer sleeve surrounding the inner sleeve and the antenna is located between the inner sleeve and the outer sleeve.

6. The administration device of claim 5 wherein the tuning circuit is located between the inner sleeve and the outer sleeve.

7. The administration device of claim 5 further comprising:  
a plurality of antennas mounted between the inner sleeve and the outer sleeve;

a plurality of tuning circuits mounted between the inner sleeve and the outer sleeve and electrically connected to respective ones of the plurality of antennas and the driver circuit for tuning the respective ones of the plurality of antennas to a desired frequency.

8. The administration device of claim 7 wherein the plurality of antennas is equally spaced about a circumference of the pressure jacket.

9. The administration device of claim 2 further comprising a switching circuit electrically connected between driver circuit and the plurality of tuning circuits and operable to connect the array of antennas and the plurality of tuning circuits in different circuit configurations.

10. The administration device of claim 2 wherein the switching circuit and the driver circuit are located in the power head.

11. A method of using a medical fluid administration device comprising an electromagnetic device operable to read data from and/or write data to a data tag, the data tag being readable by electromagnetic signals and being associated with a container having medical fluid disposed therein, the method containing:

electrically connecting an antenna mounted on a pressure jacket of the medical fluid administration device in a first circuit configuration; and

attempting an RF communication between the electromagnetic device and the data tag, wherein attempting comprises providing RF power to the

first circuit configuration.

**12. The method of claim 11 further comprising:**

Determining whether or not RF communication is or was established between the device and the data tag;

if determined unsuccessful, electrically reconnecting the antenna in a further circuit configuration different from the first circuit configuration; and

attempting another RF communication between the electromagnetic device and the data tag, wherein the attempting another RF communication comprises providing RF power to the further circuit configuration.

**13. The method of claim 12 further comprising iterating the determining, the electrically reconnecting, and the attempting another RF communication until determining that a successful RF communication has been established between the device and the data tag.**

**14. The method of claim 13 wherein a desired RF communication frequency is about 13.56 Megahertz.**

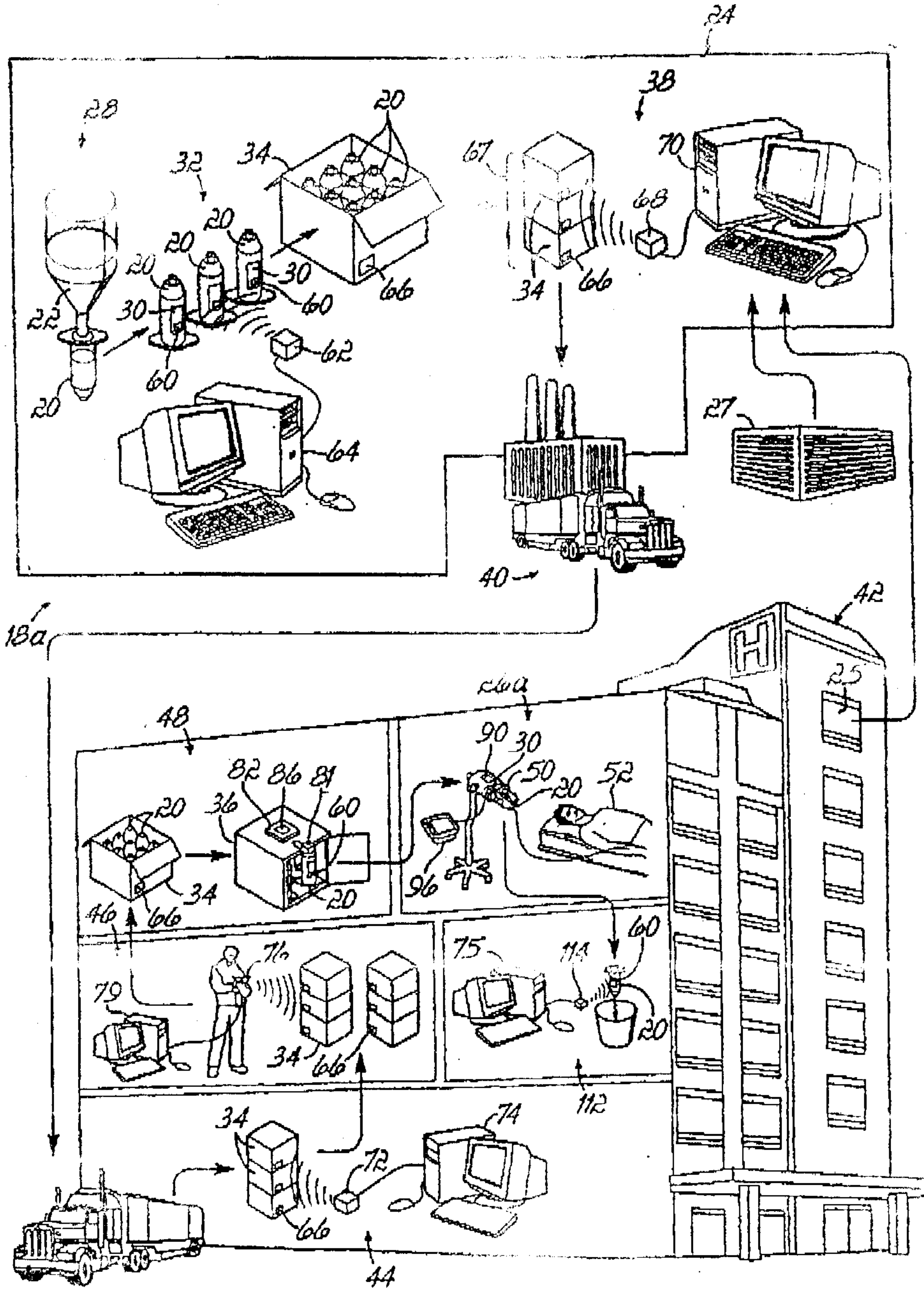


FIG. 1A

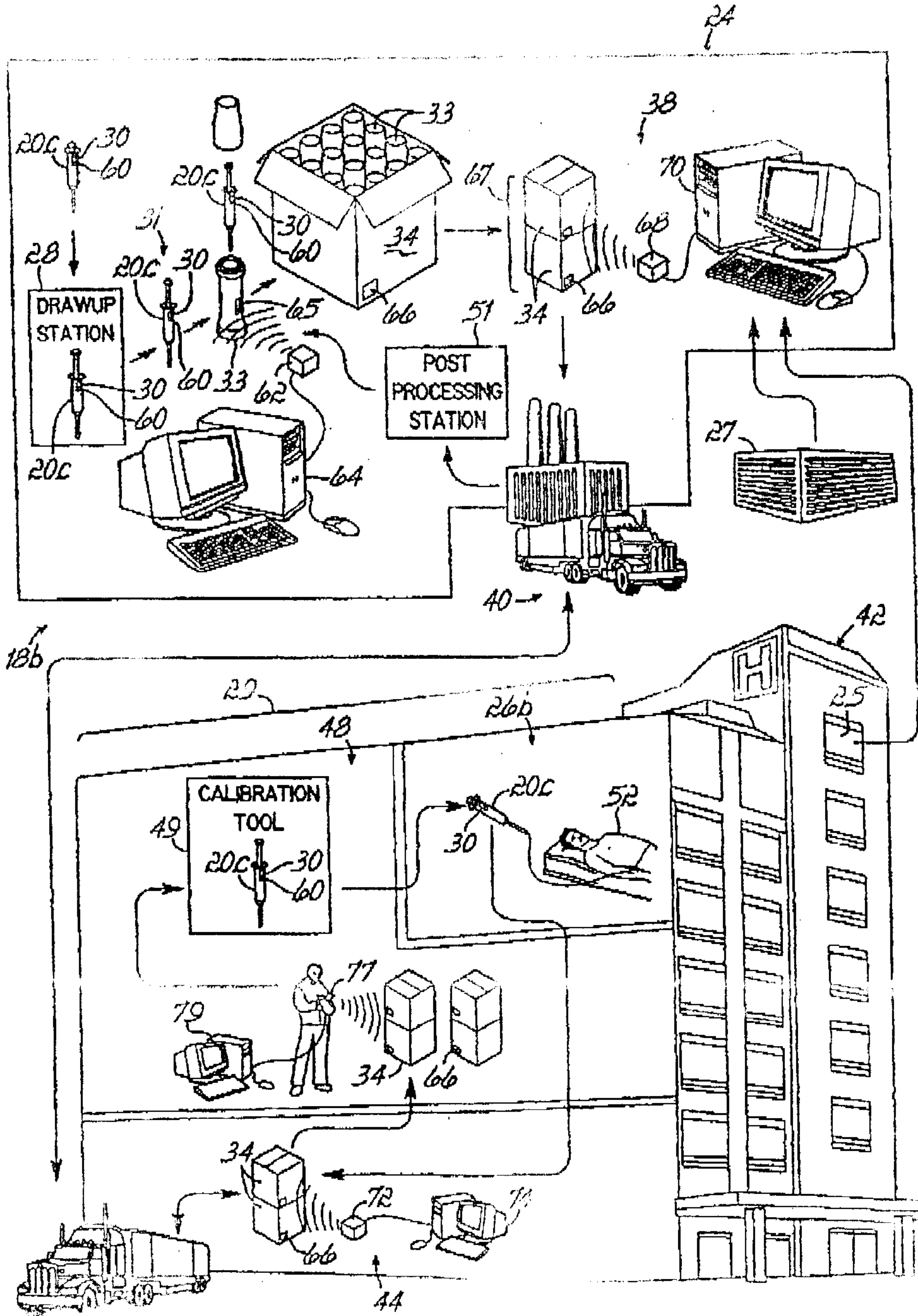


FIG. 1B

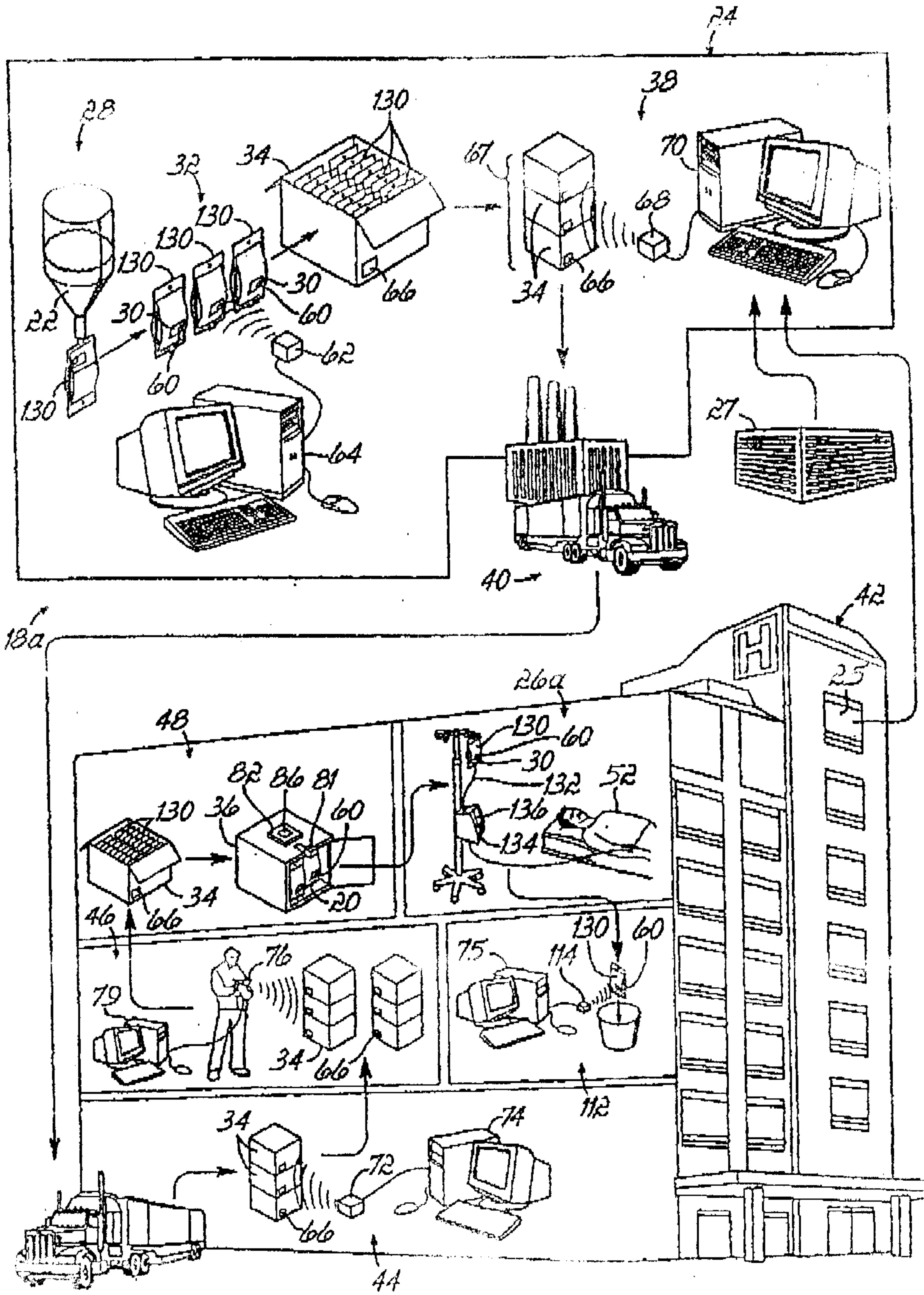


FIG. 1C

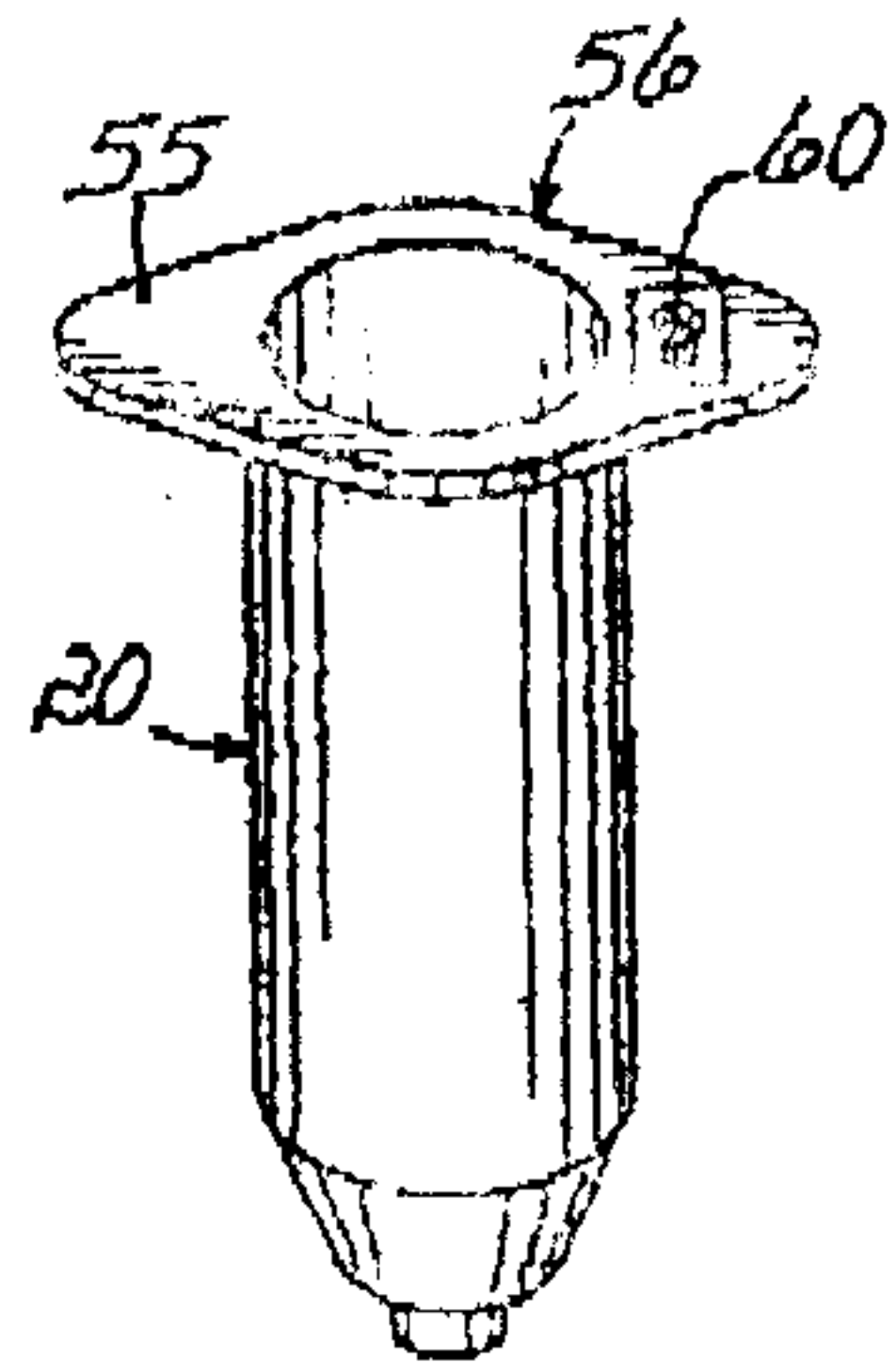


FIG. 2A

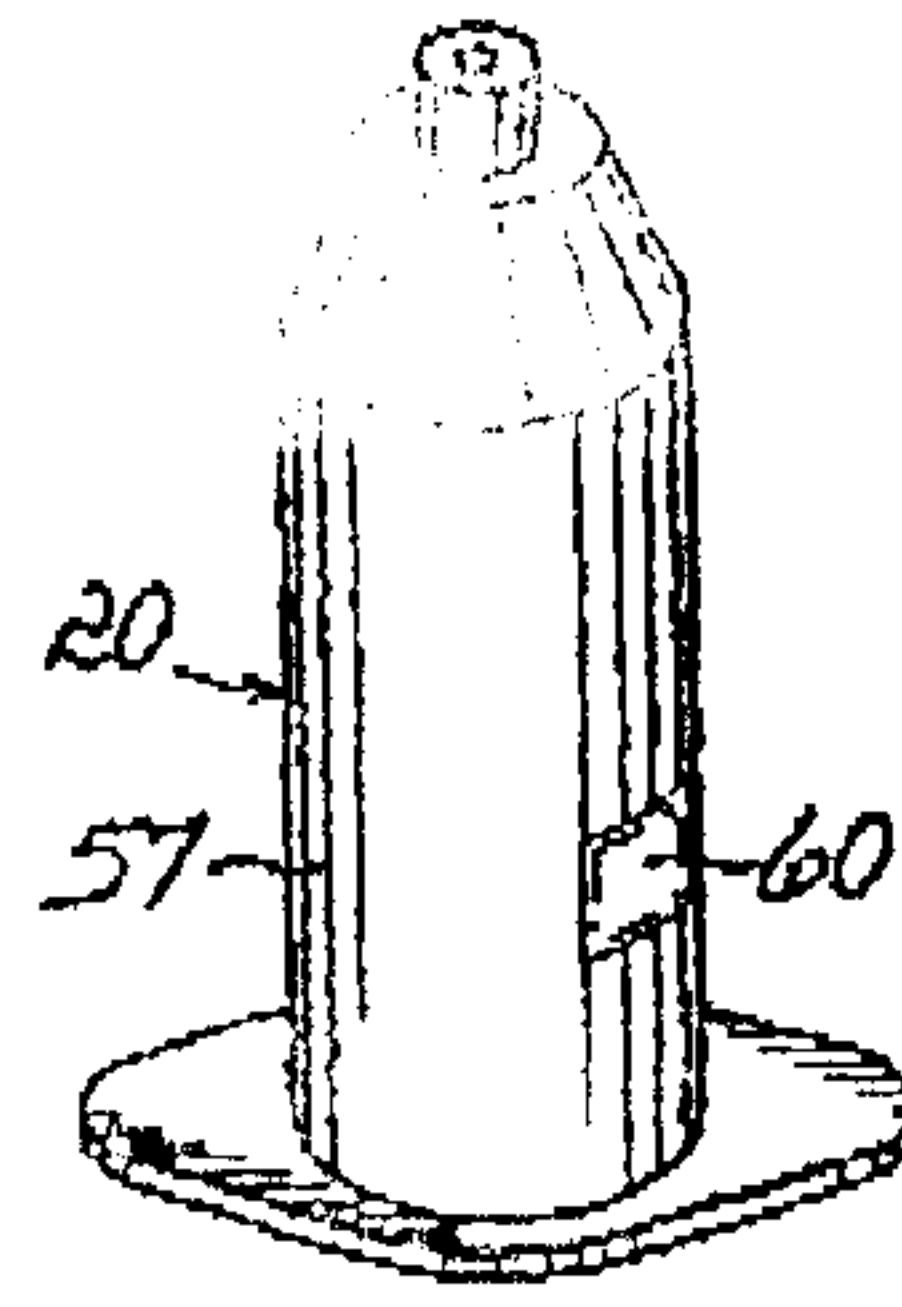


FIG. 2B

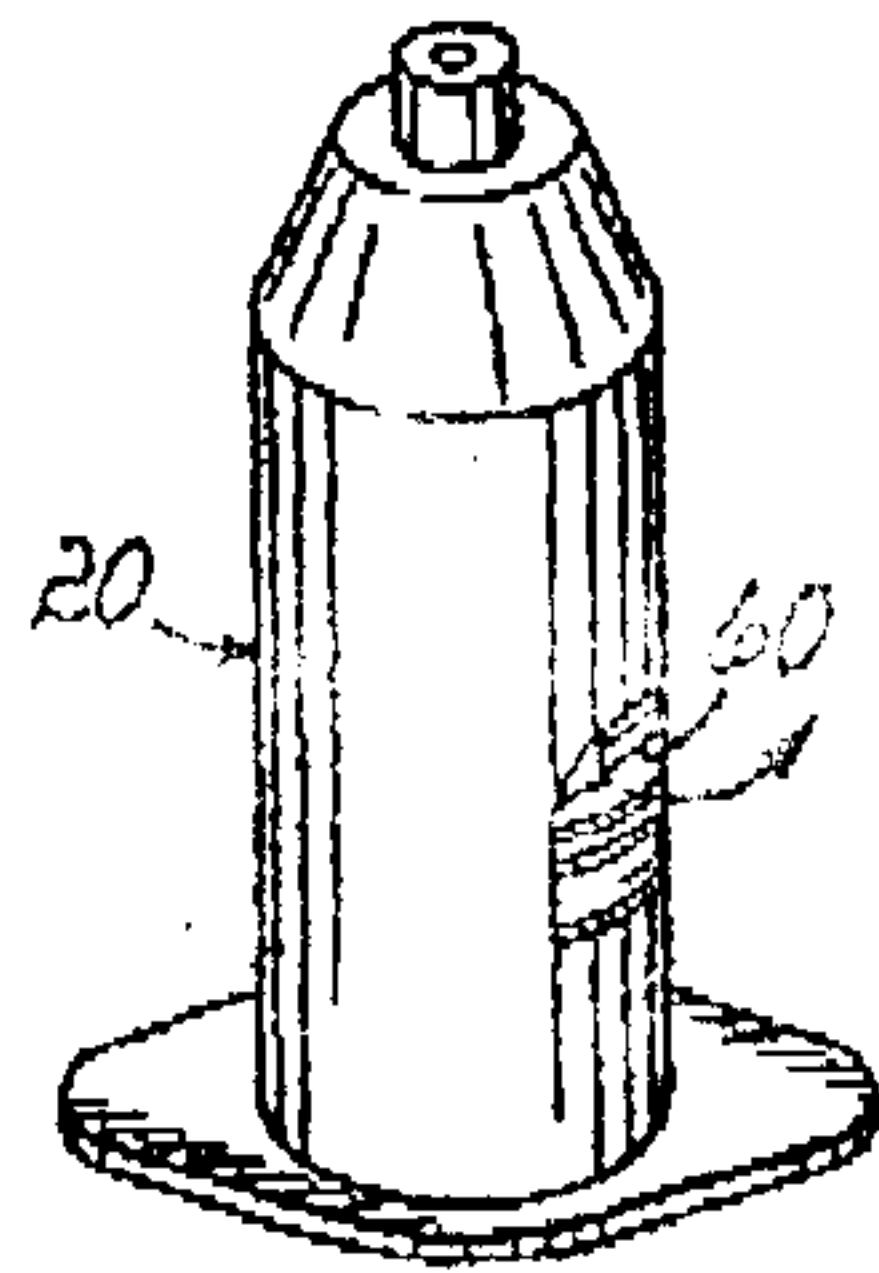


FIG. 2C

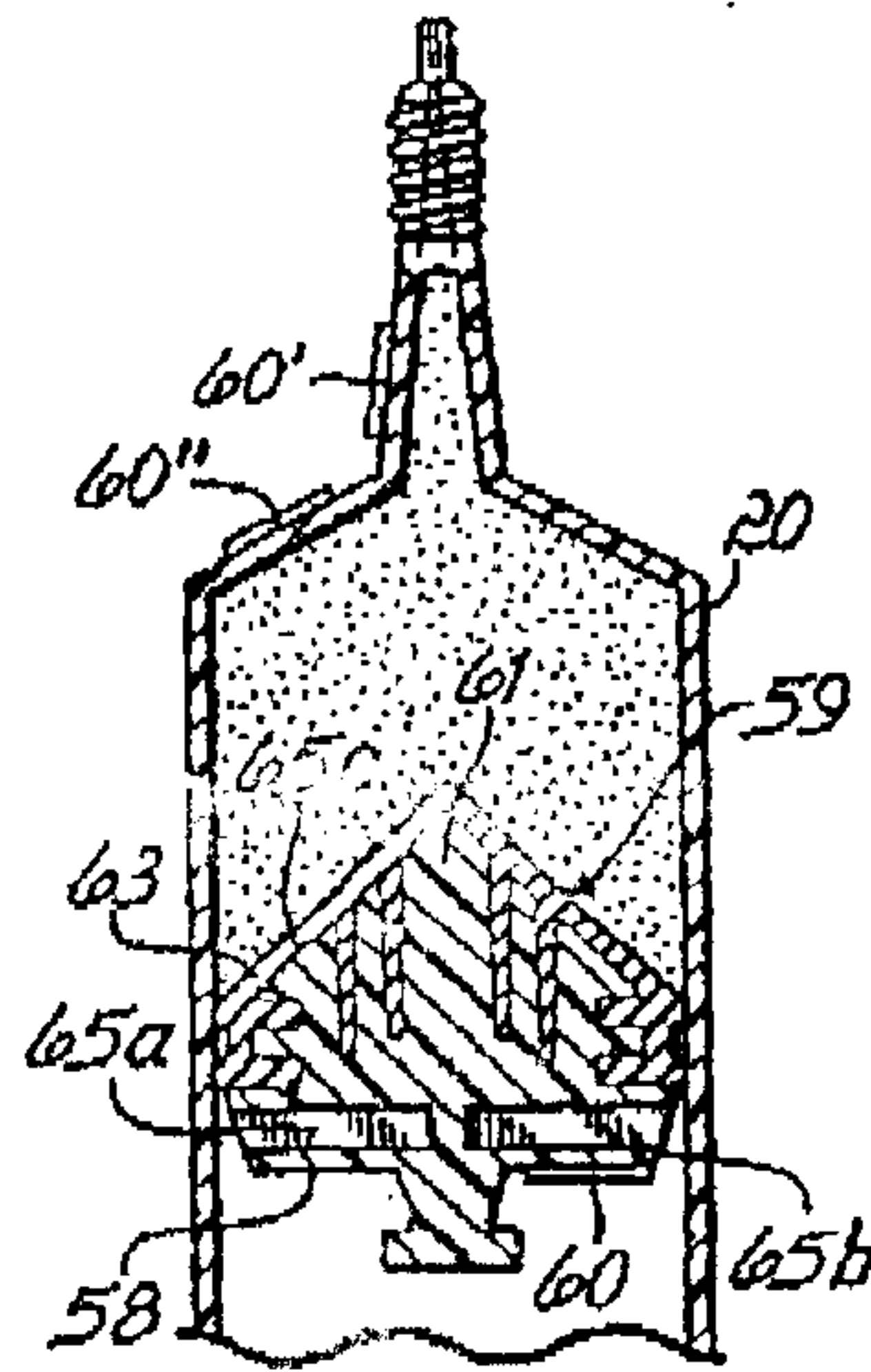


FIG. 2D

└

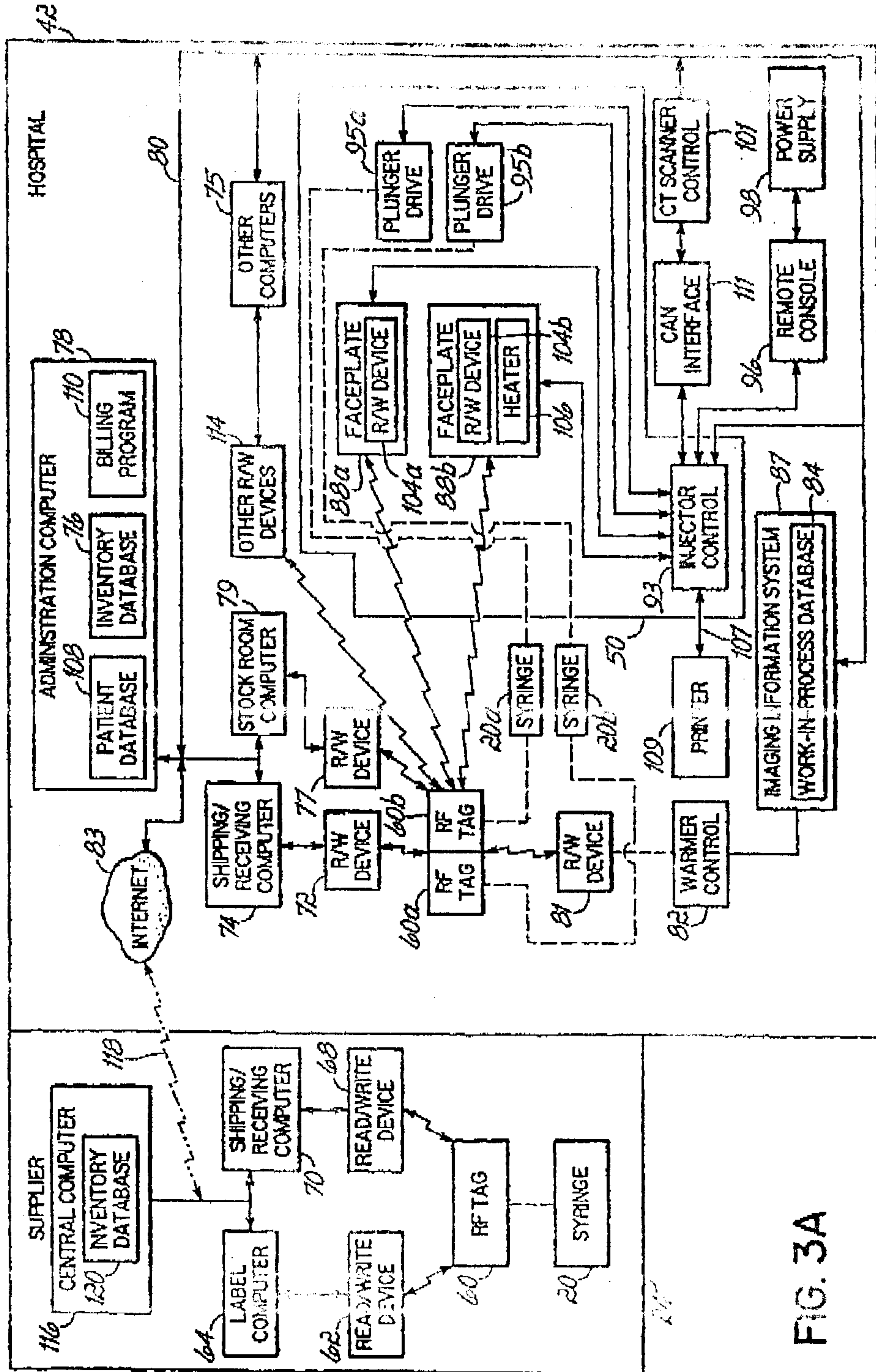


FIG. 3A

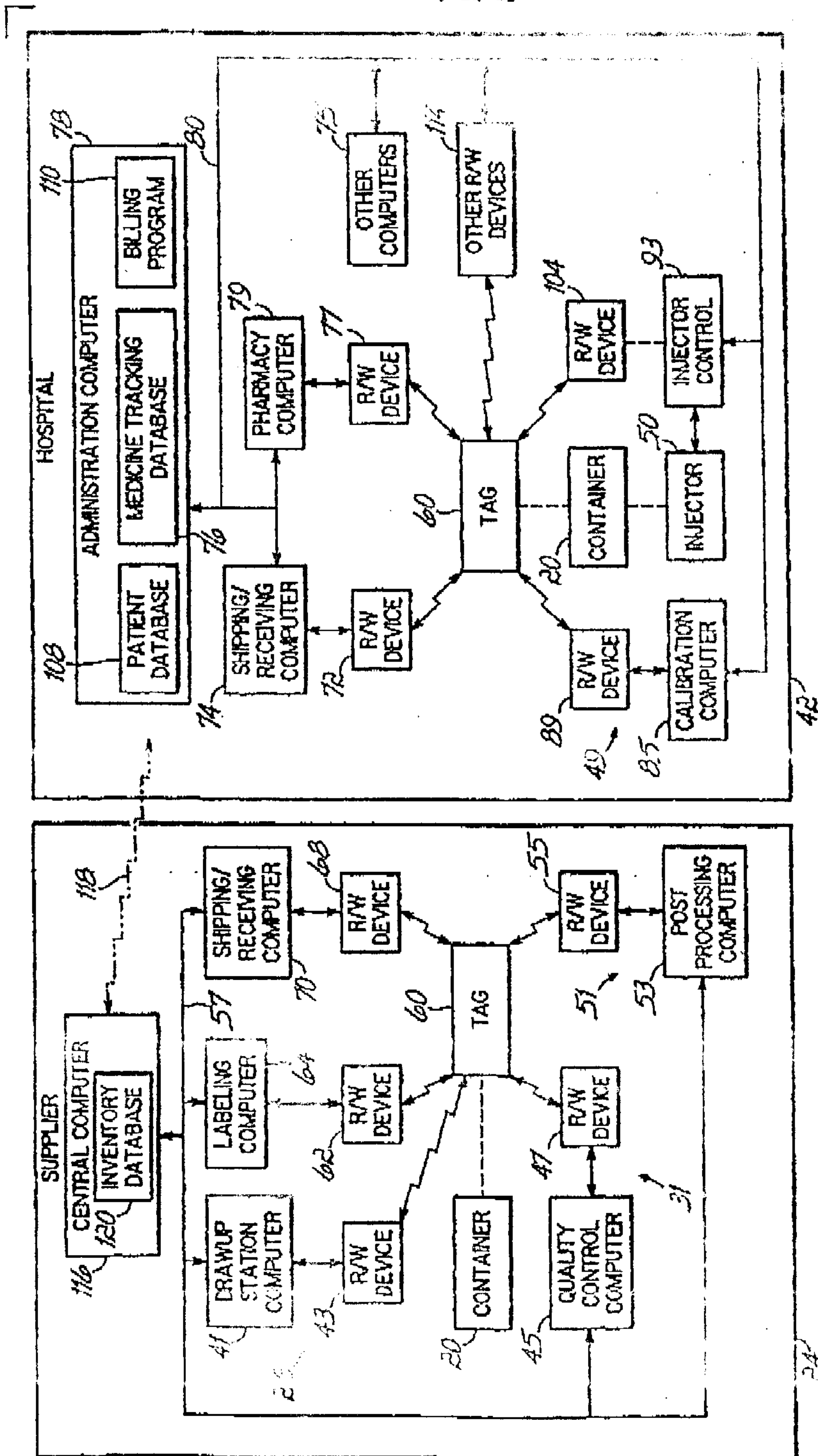


FIG. 3B



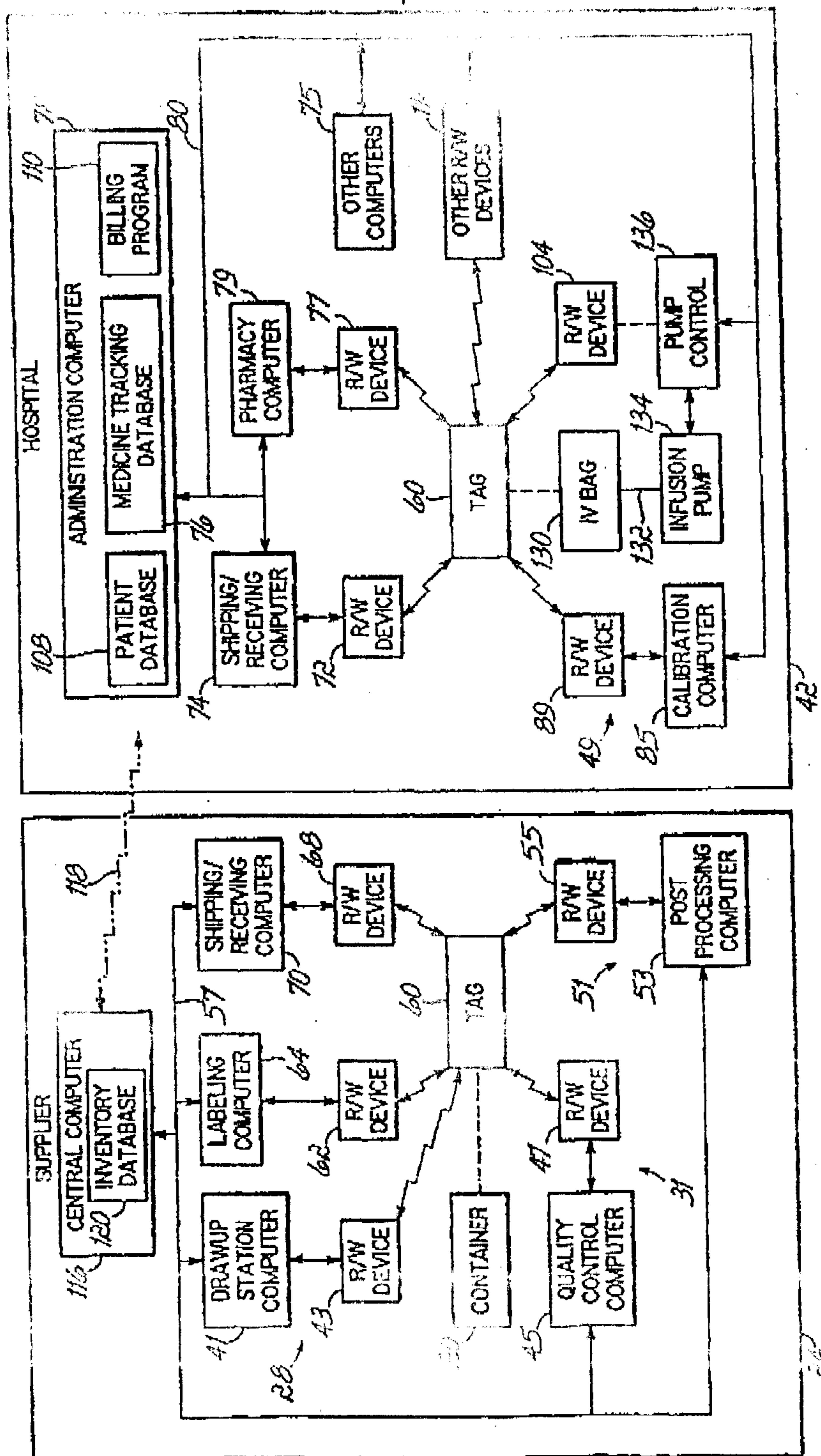


FIG. 3C

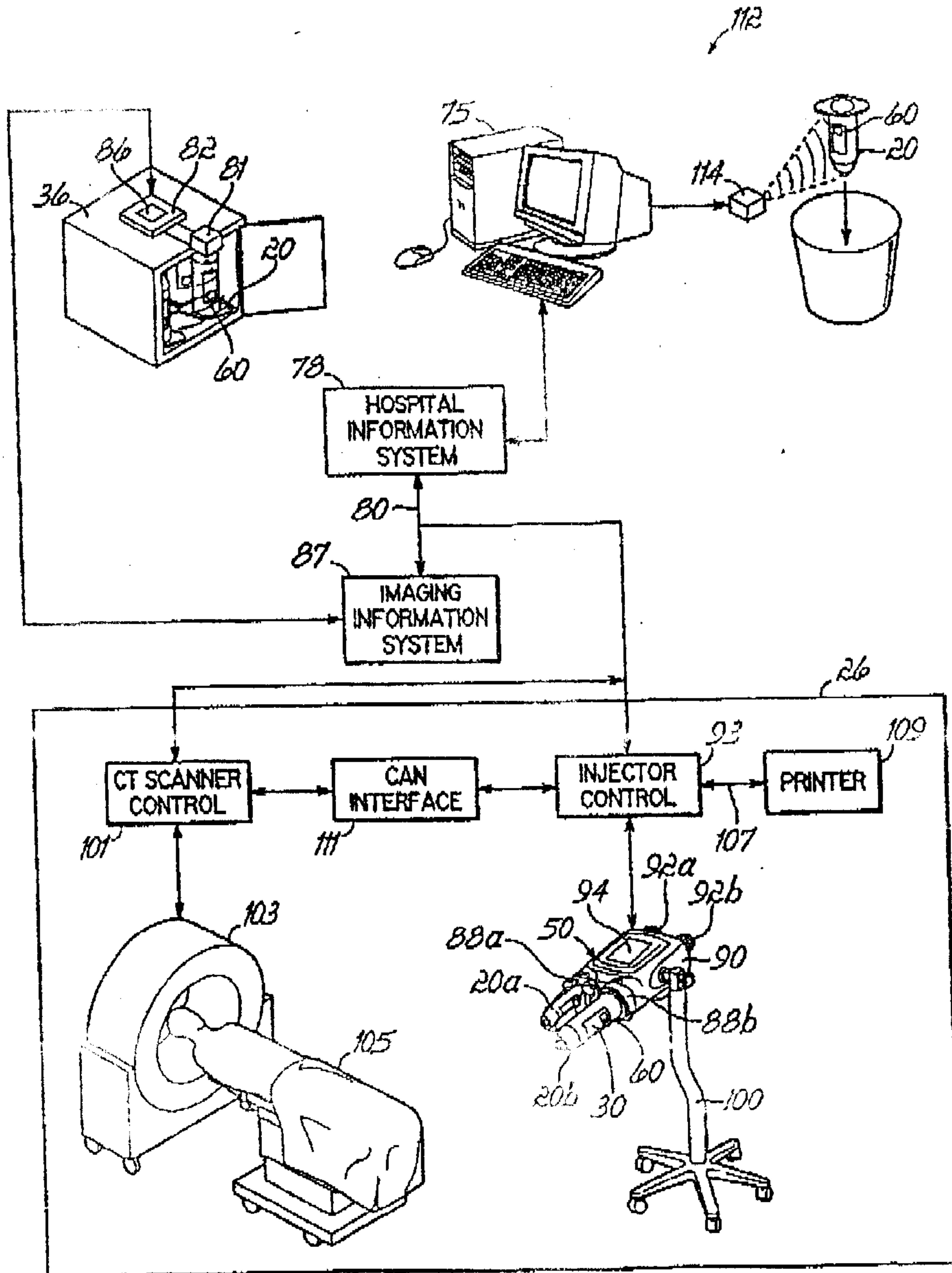


FIG. 4

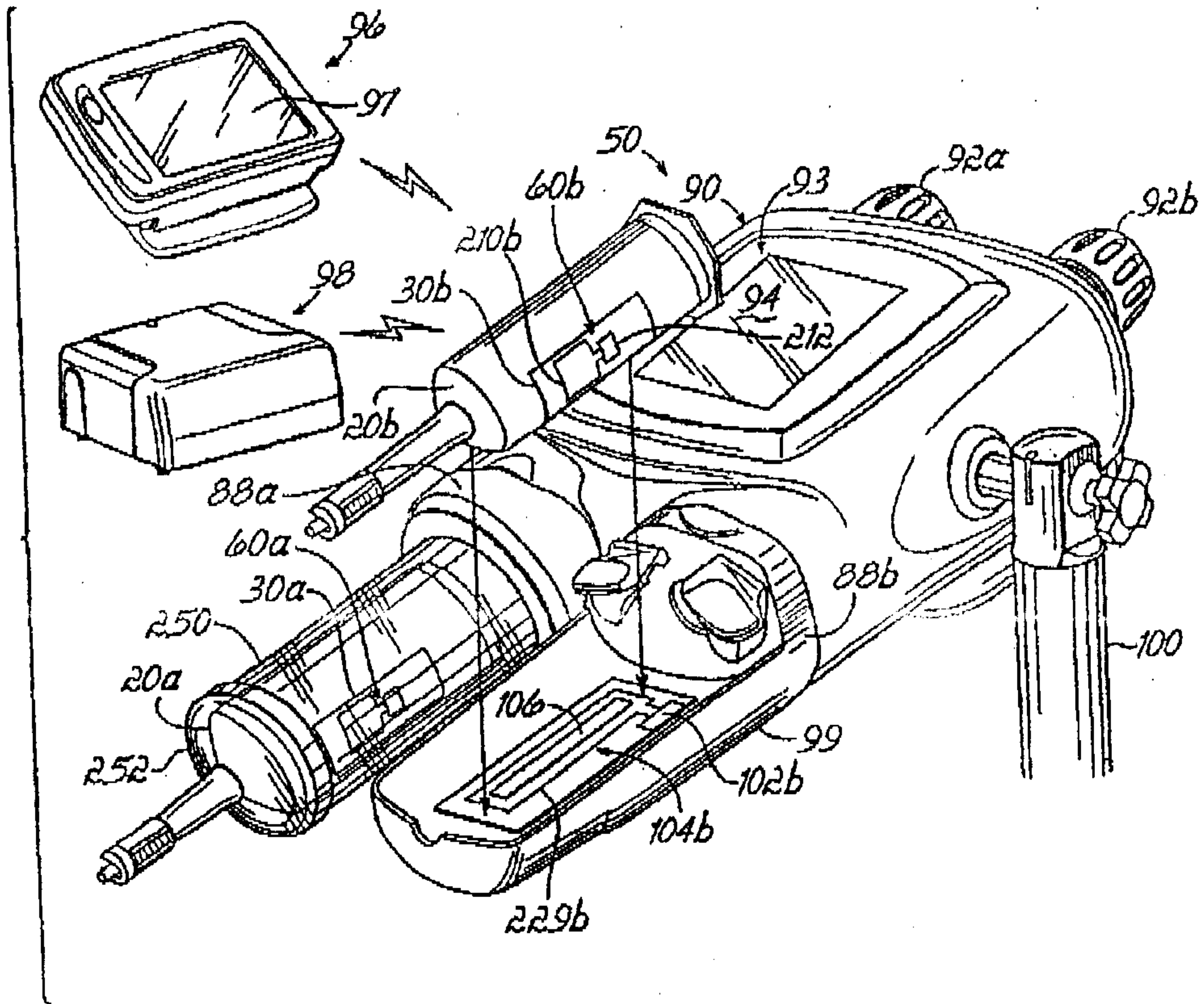


FIG. 5A

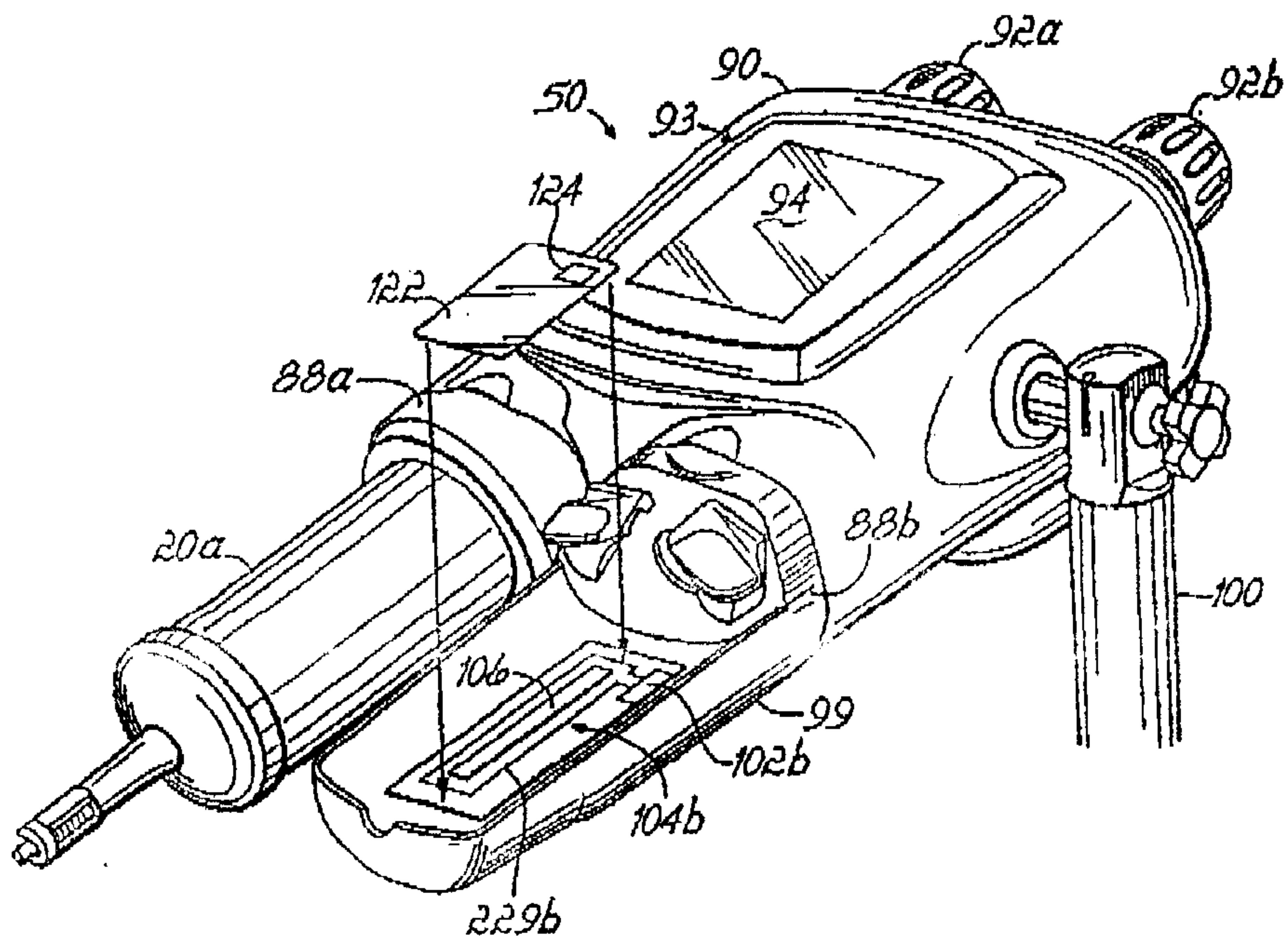


FIG. 5B

└

11 of 25

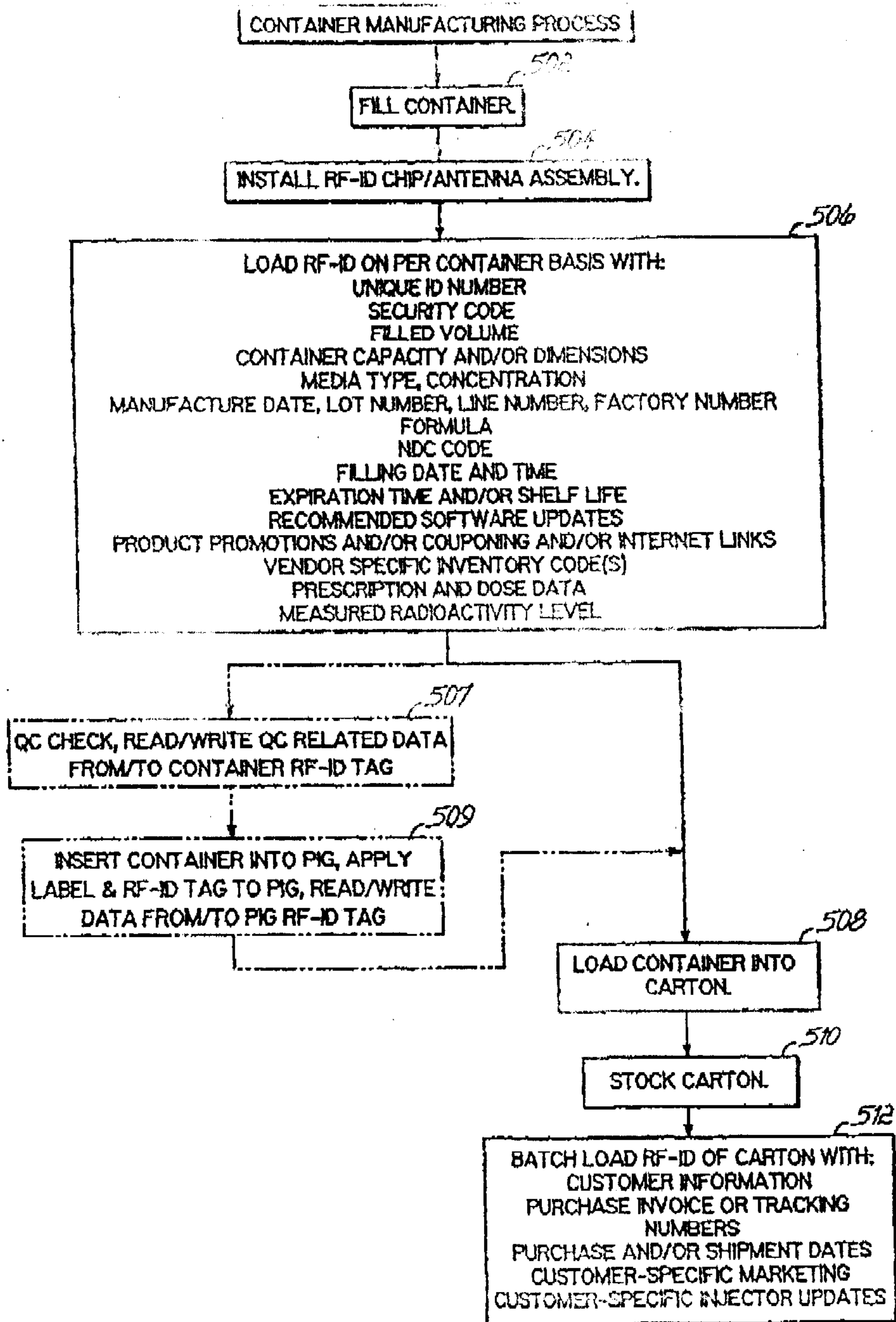


FIG. 6

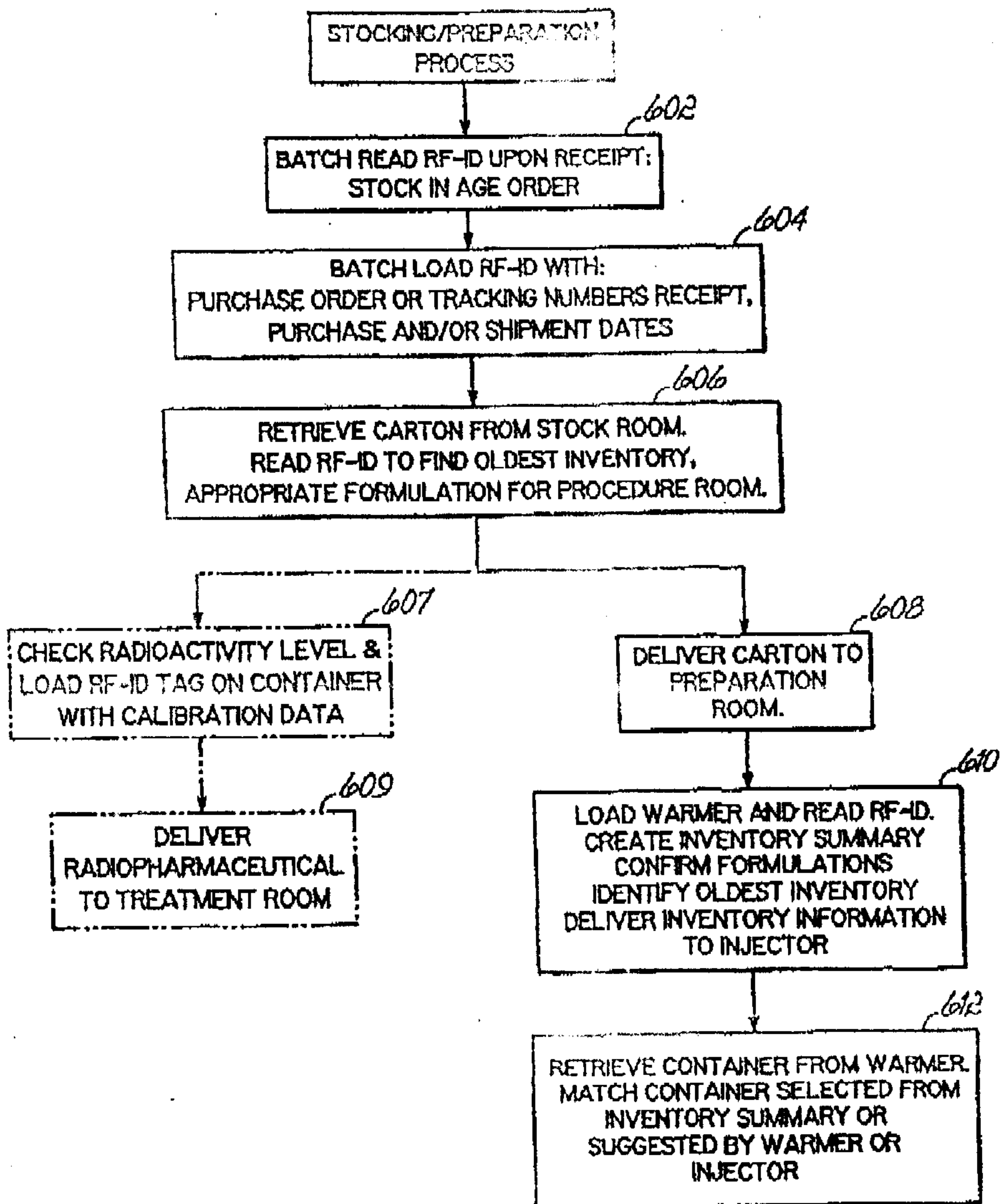


FIG. 7

13 of 25

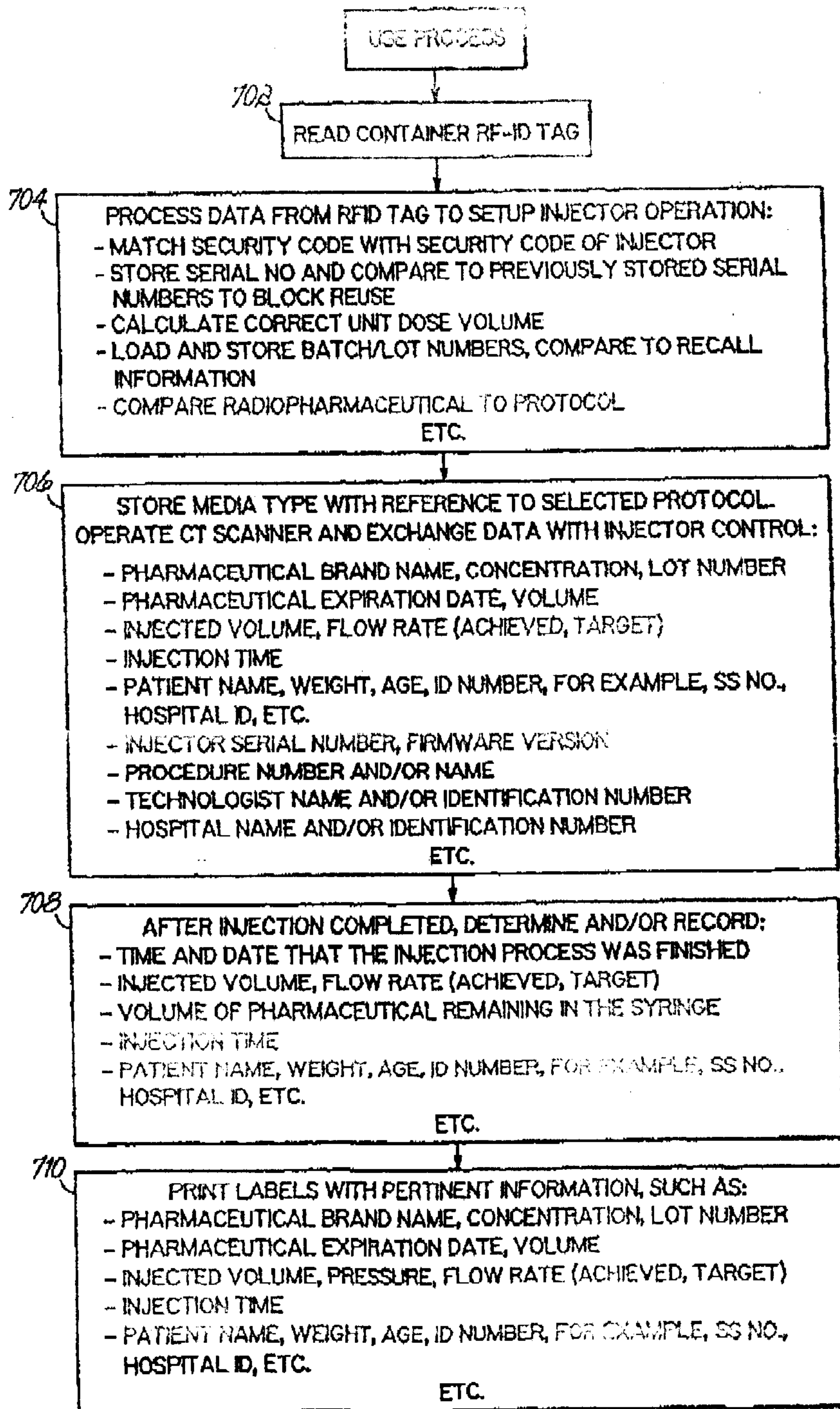


FIG. 8

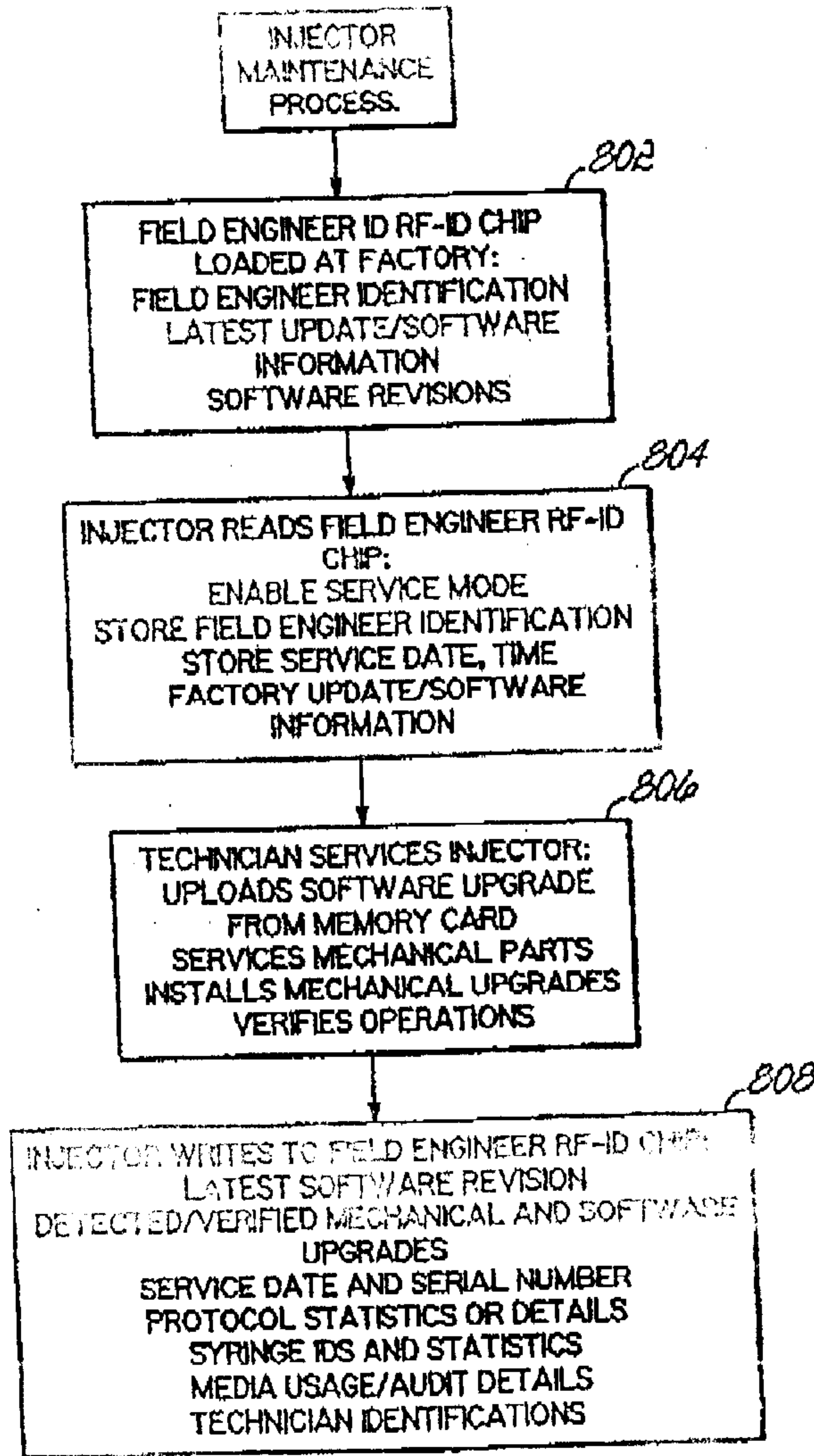


FIG. 9



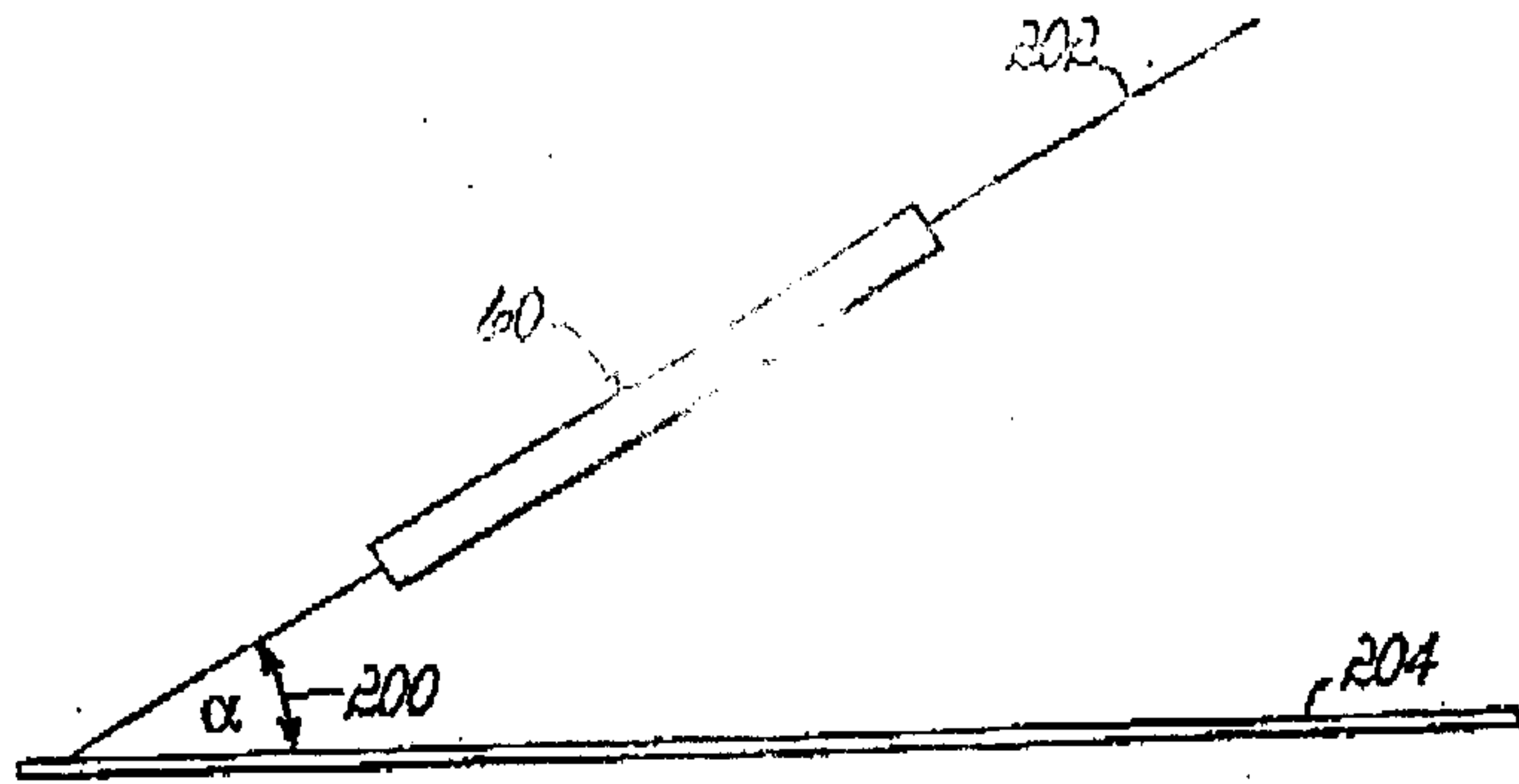


FIG. 10

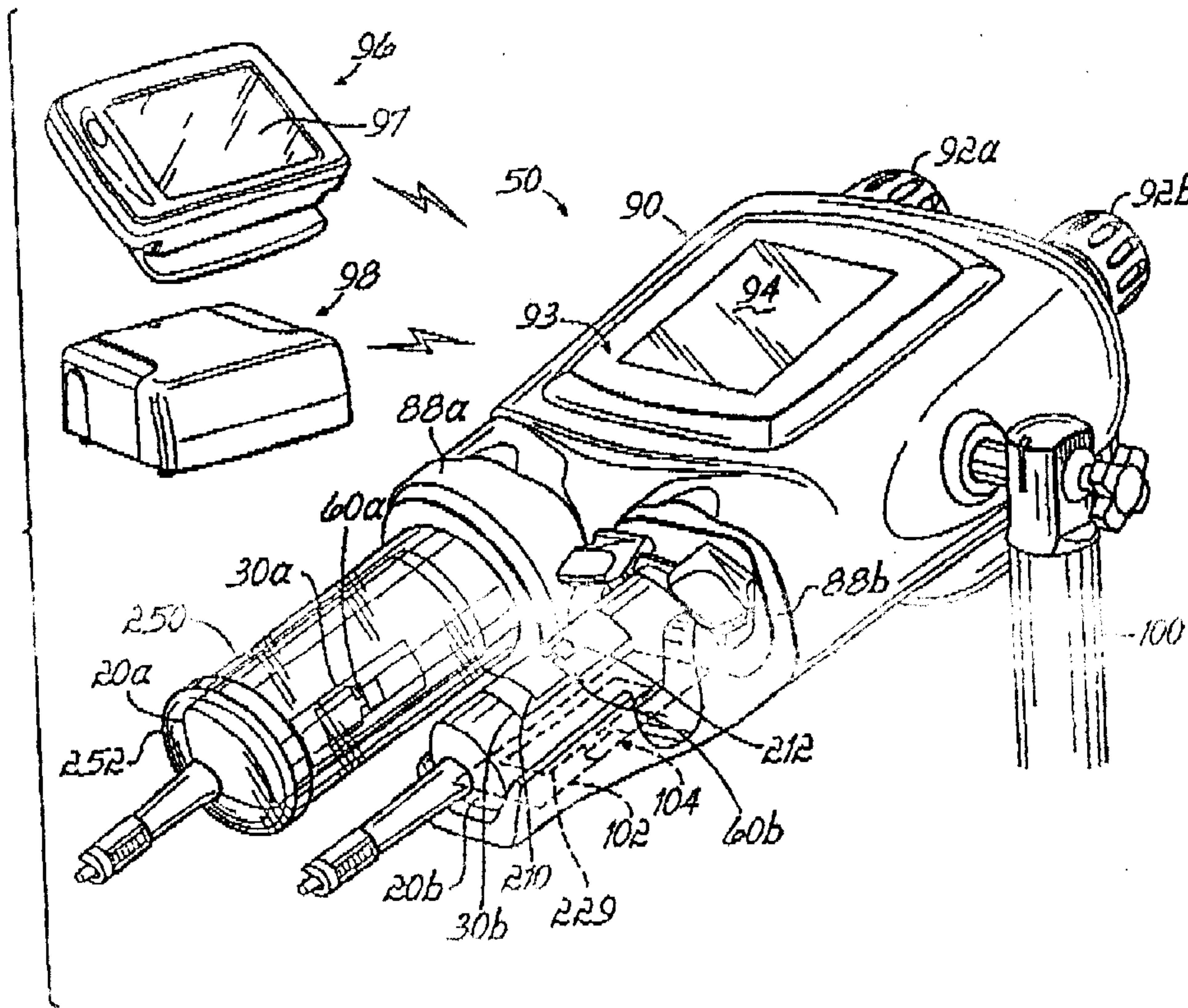


FIG. 11



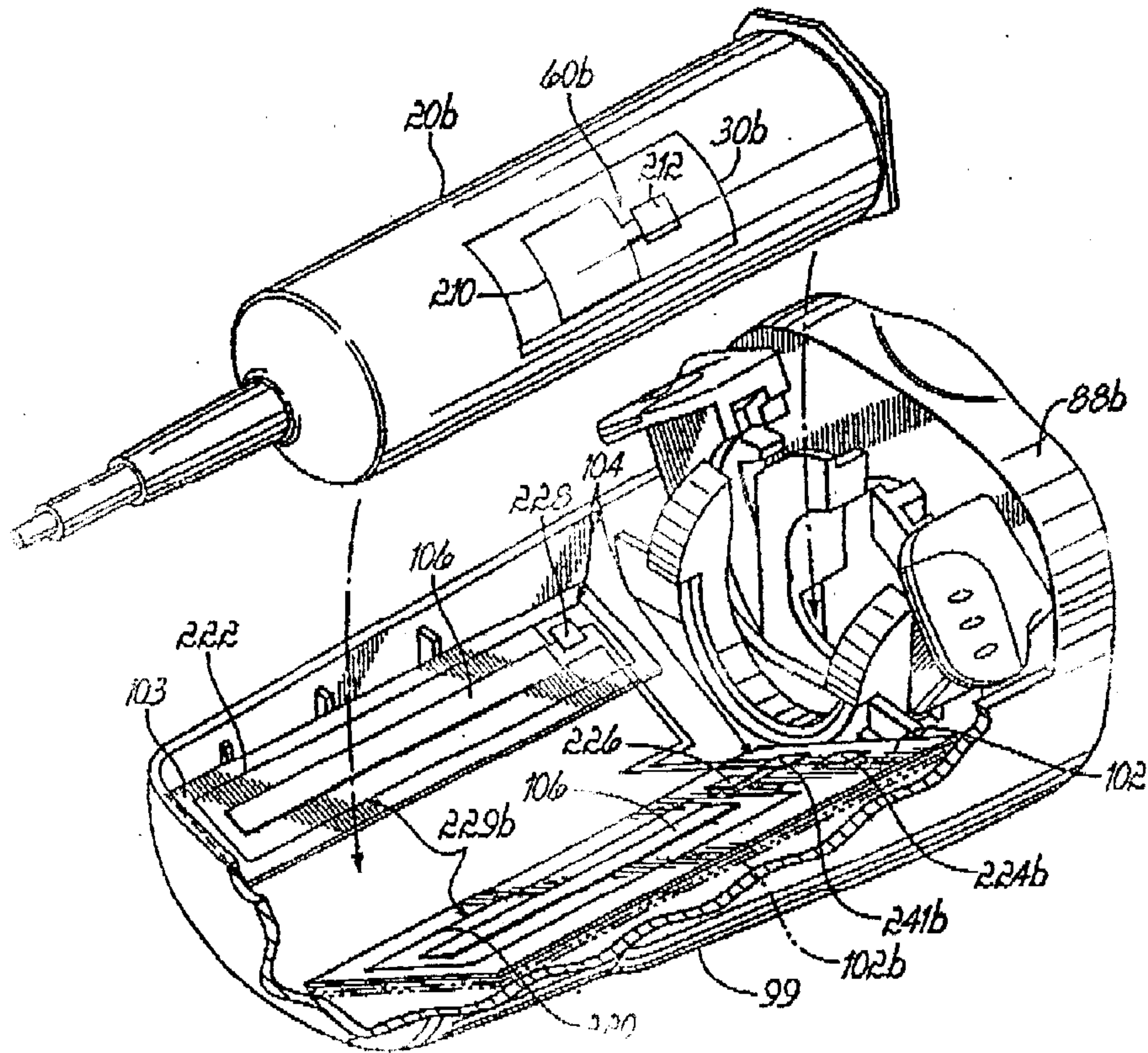


FIG. 12

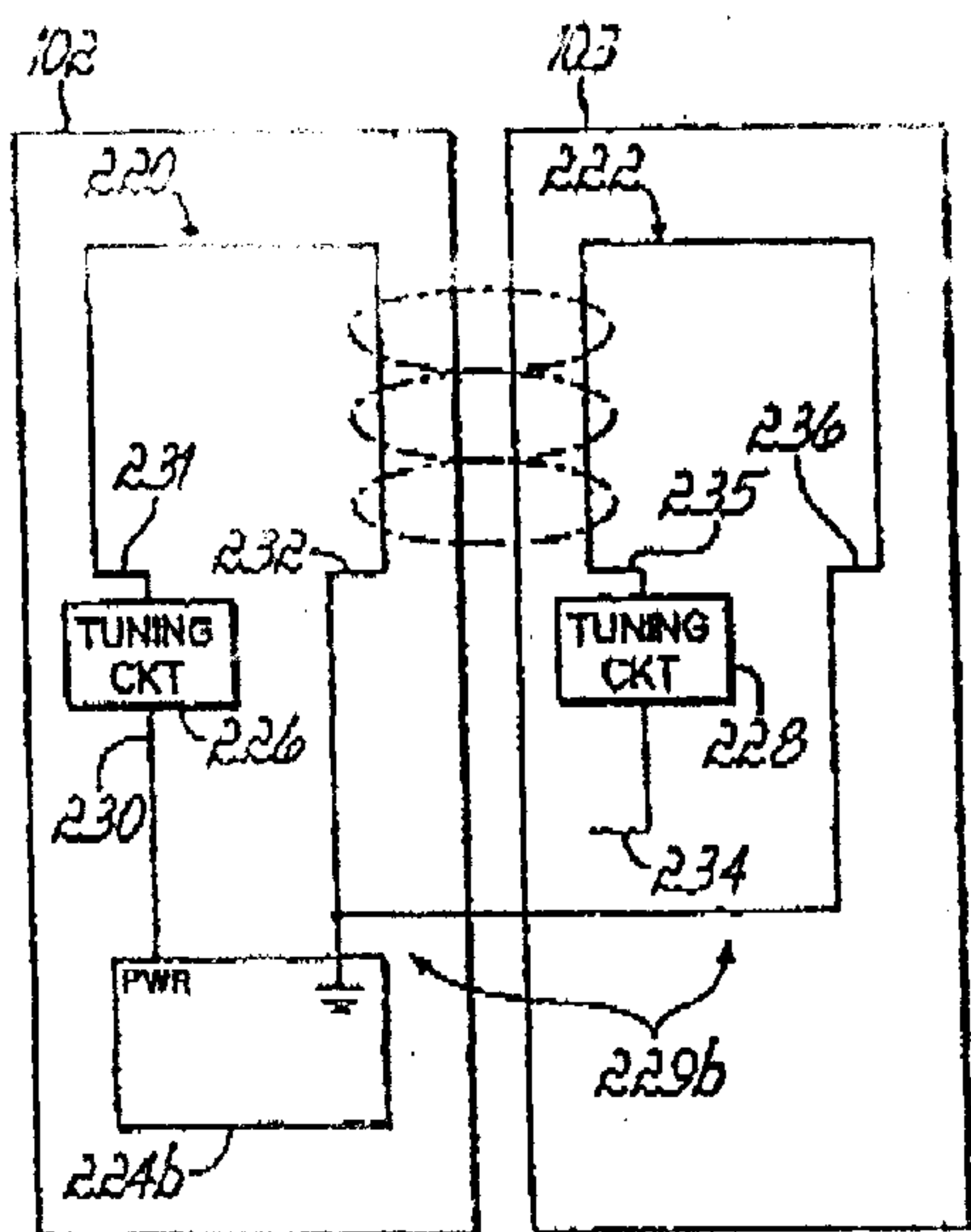


FIG. 13A

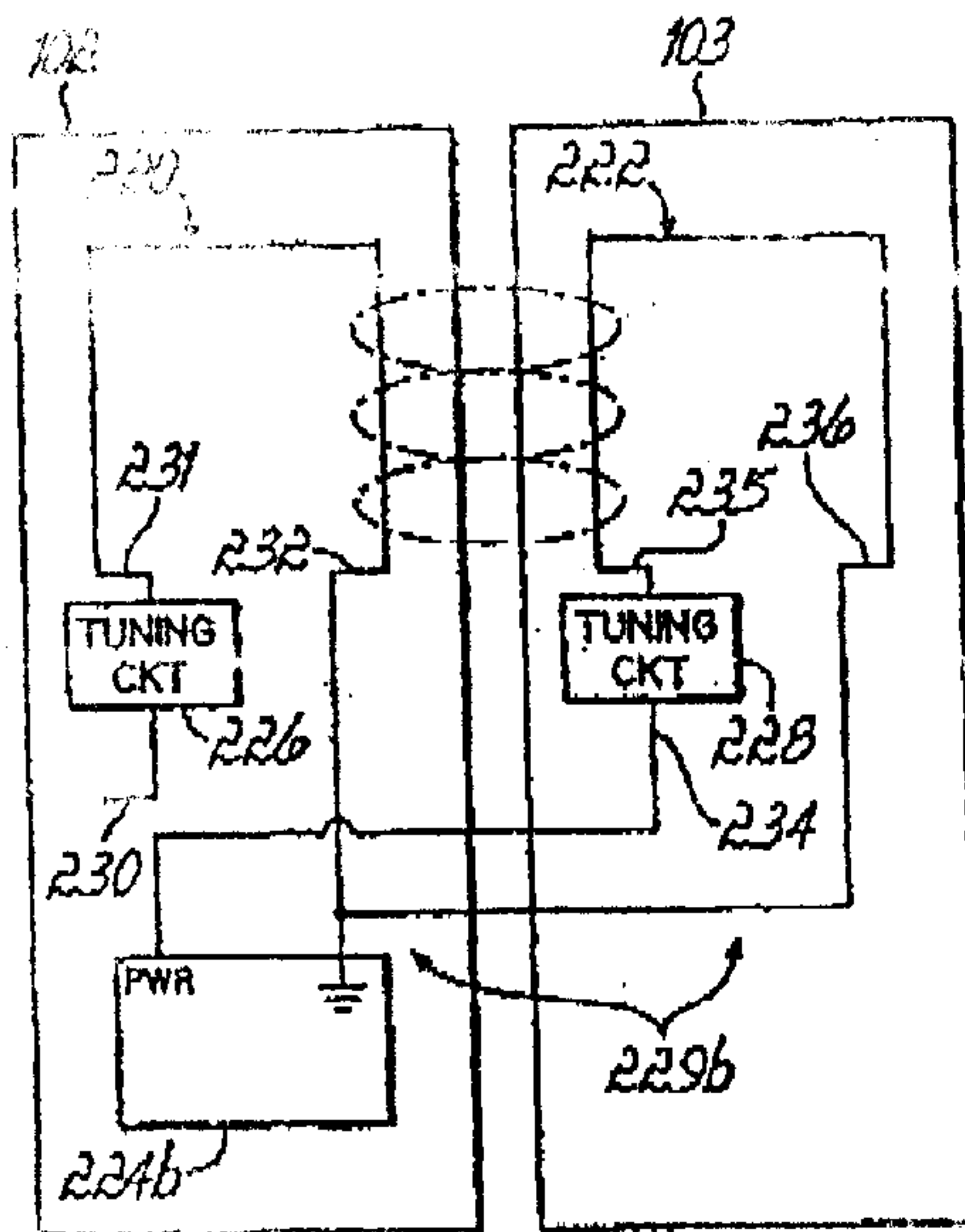


FIG. 13B

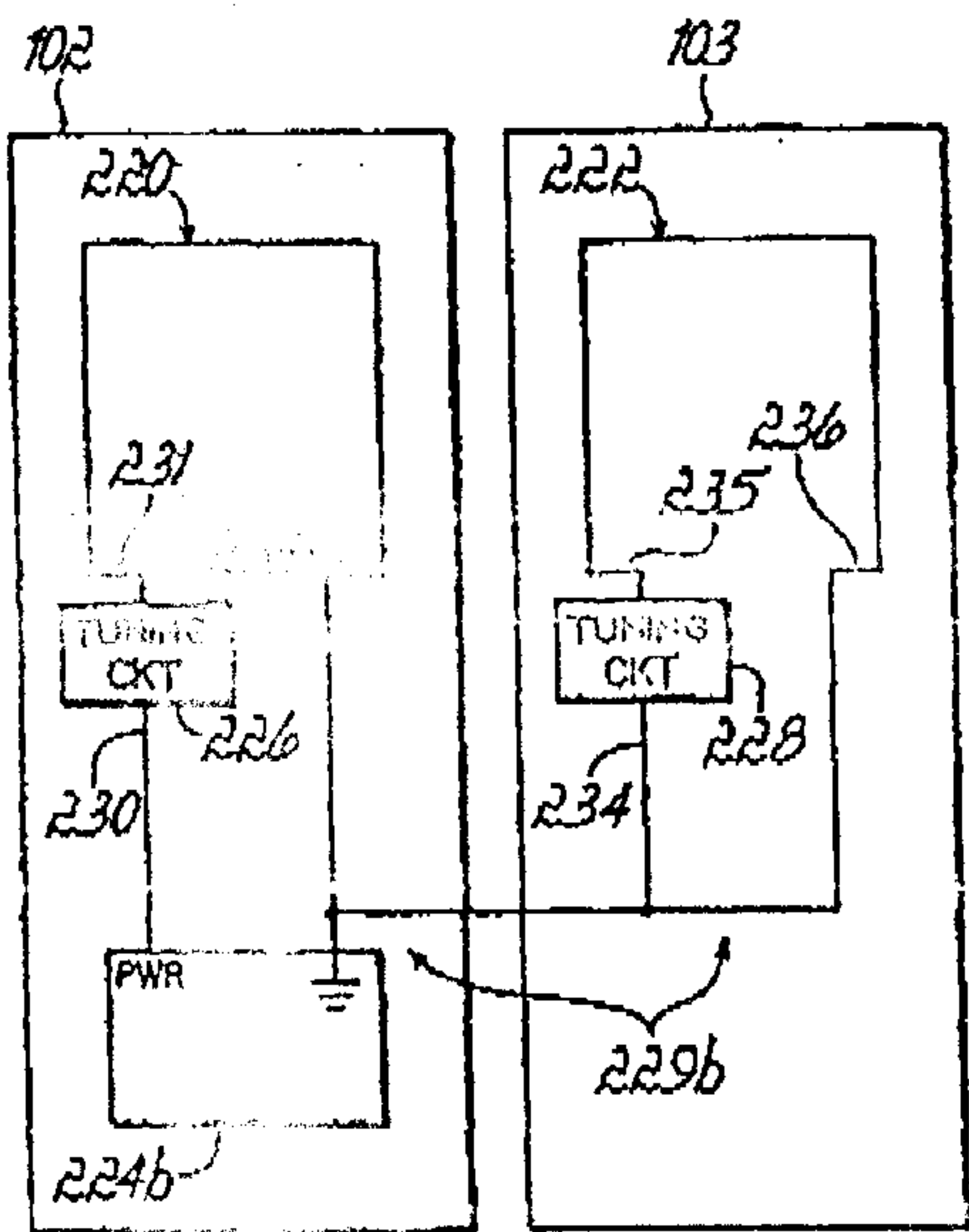


FIG. 13C

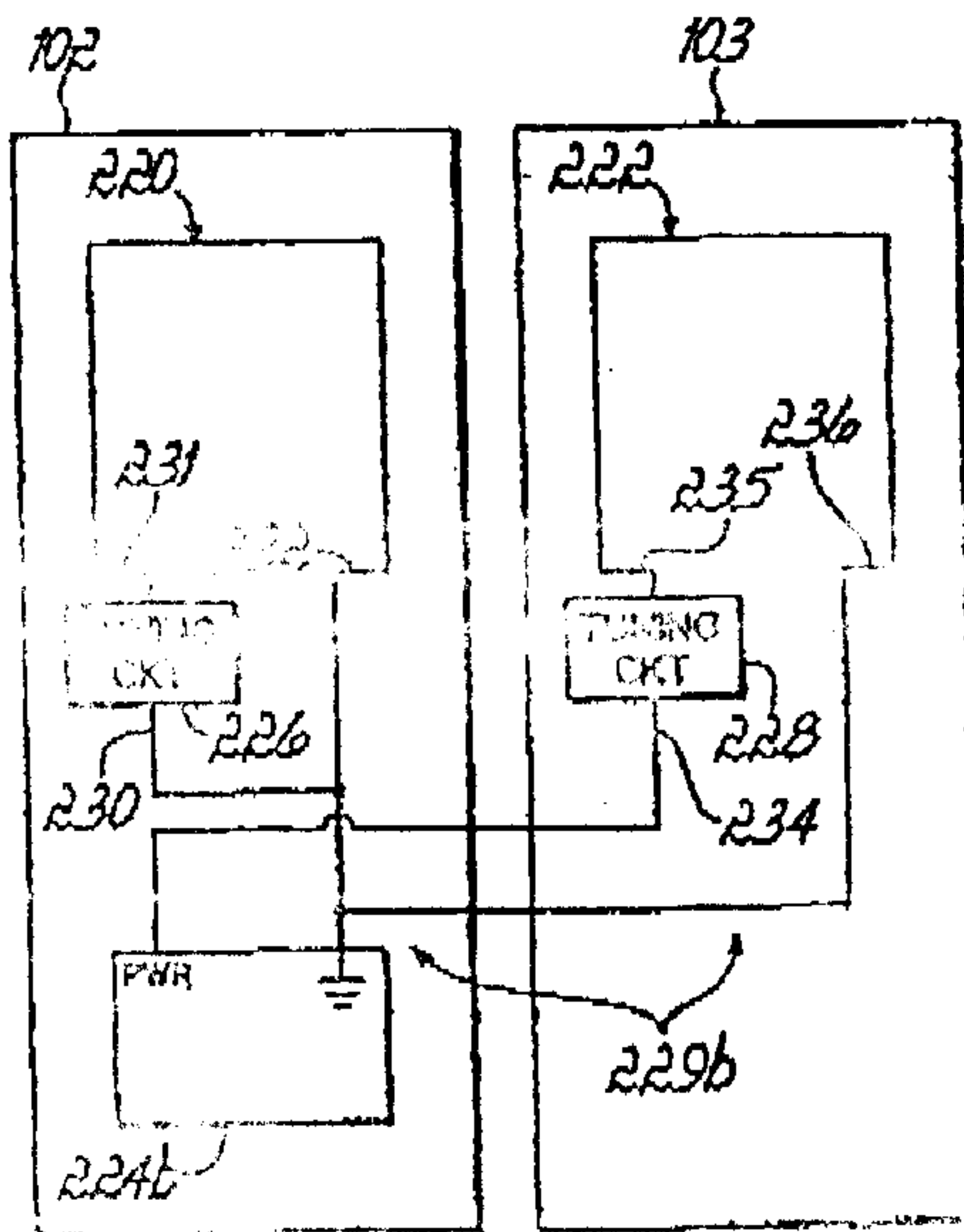


FIG. 13D

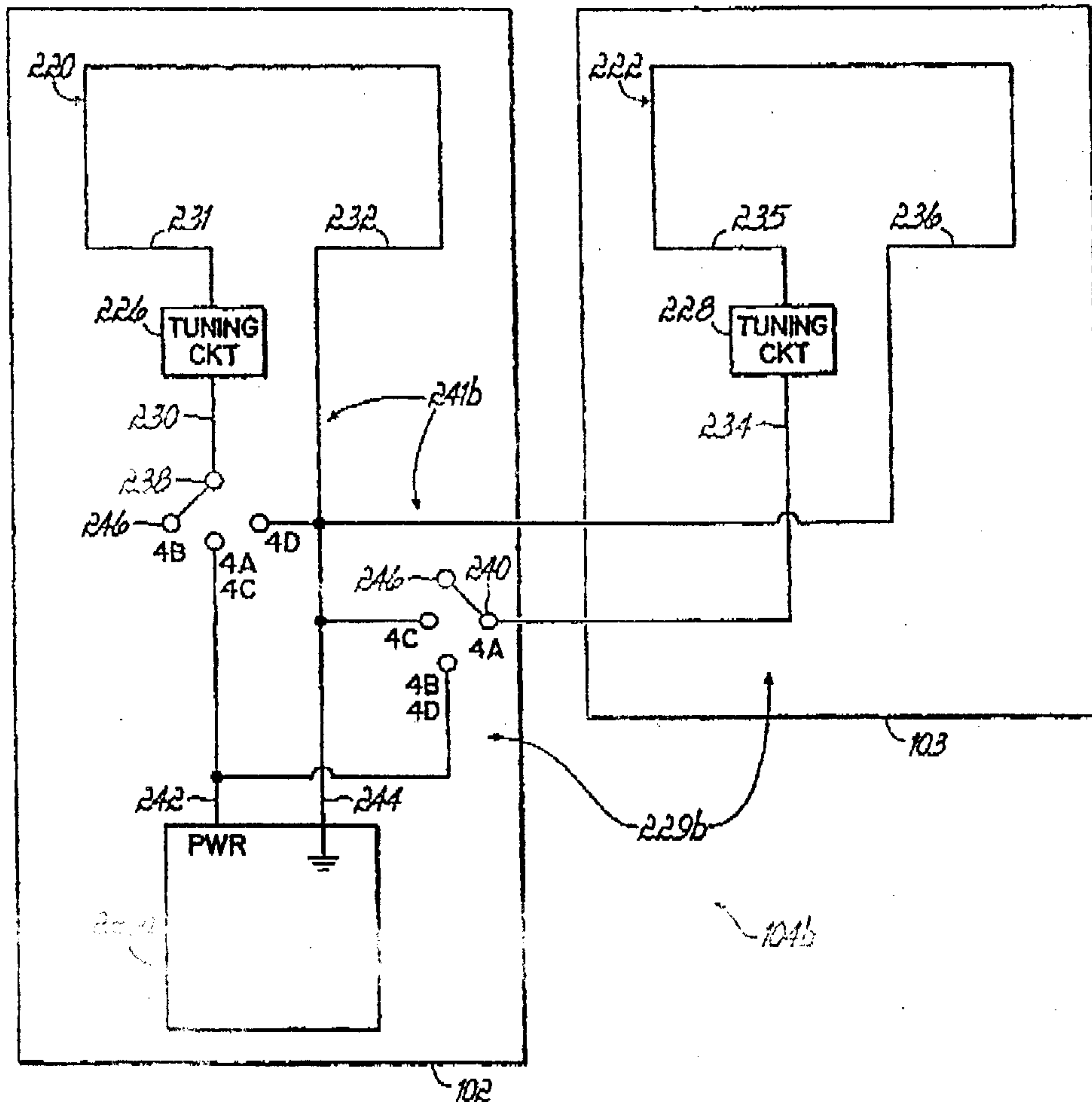


FIG. 14

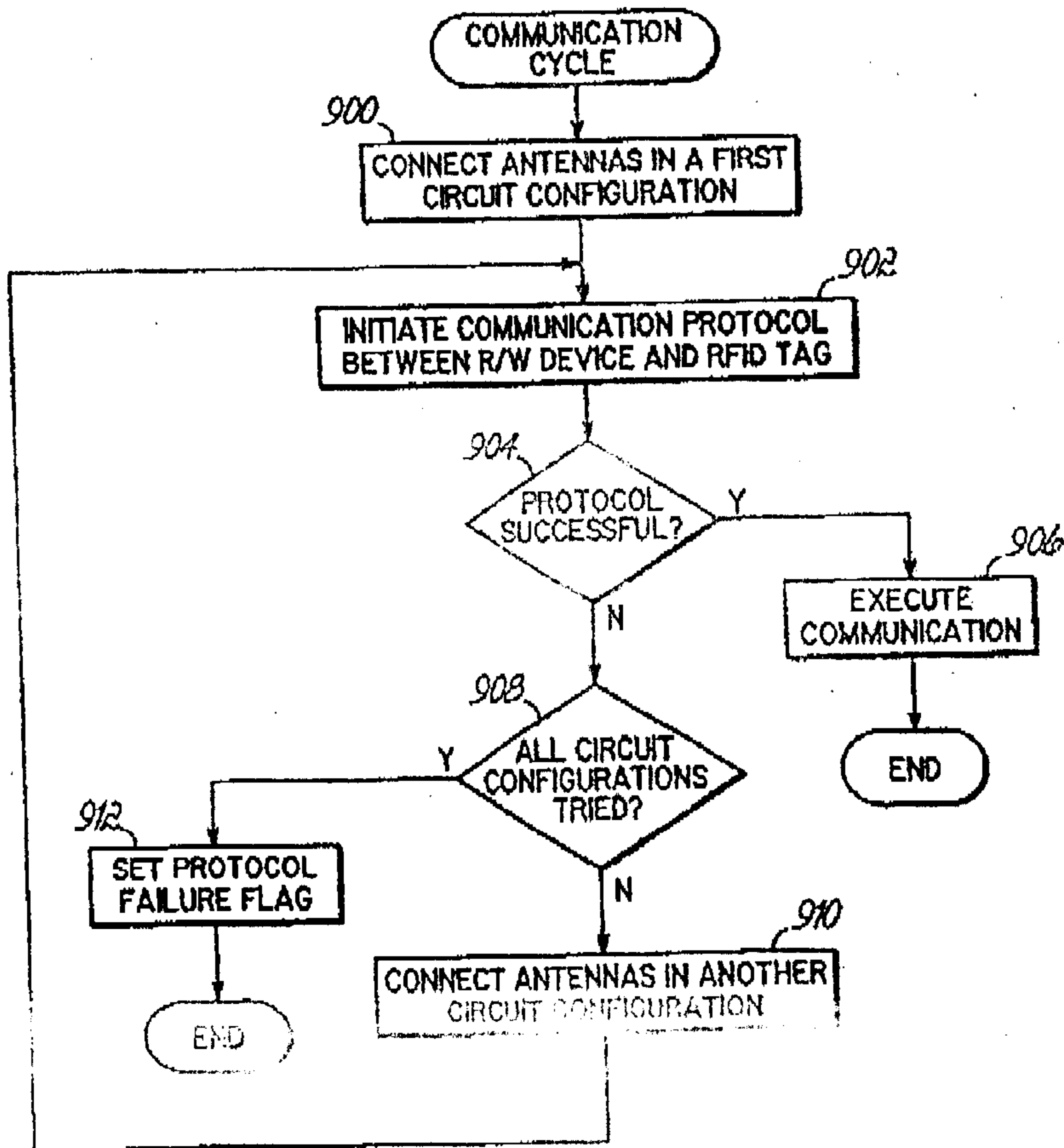


FIG. 15

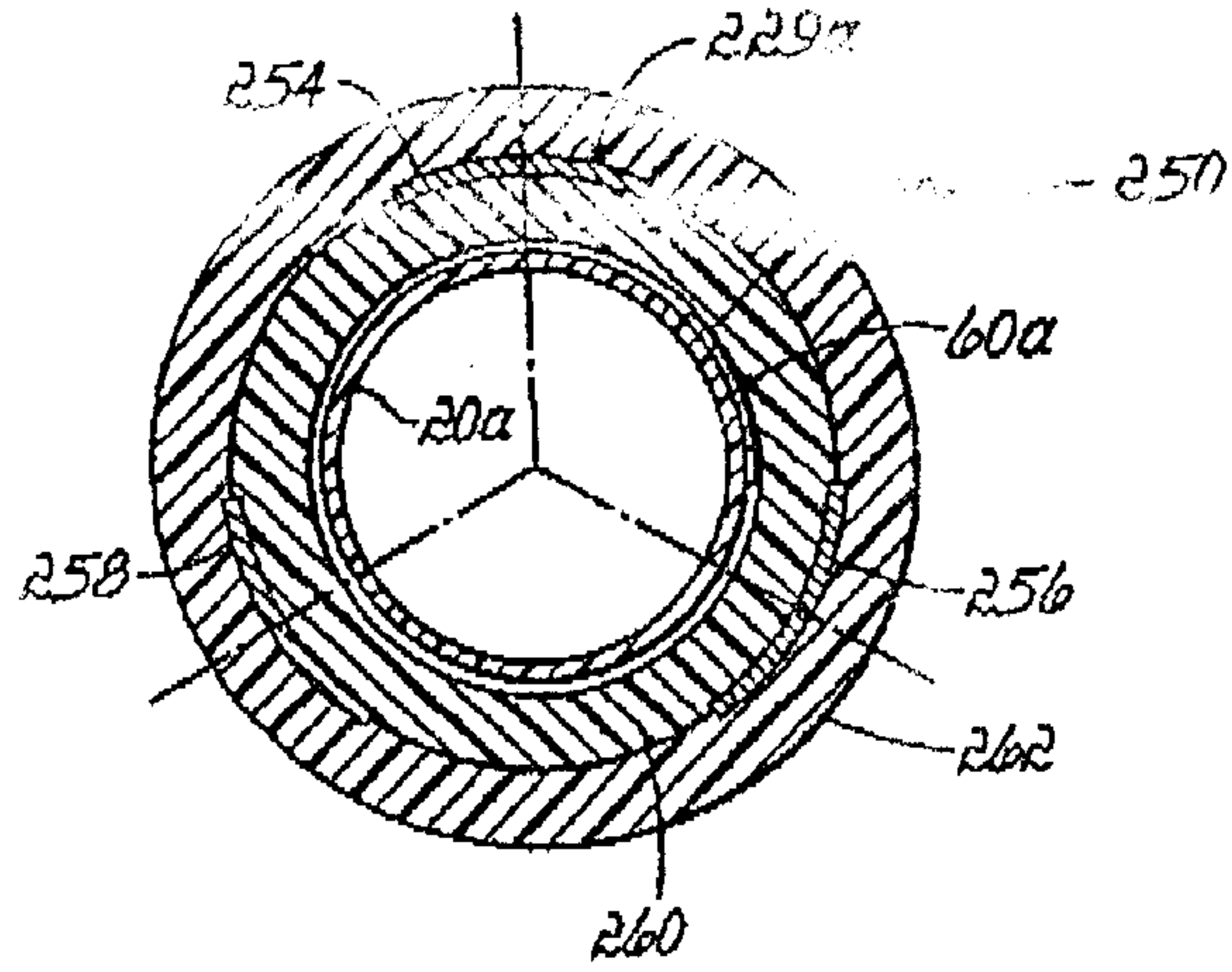


FIG. 16

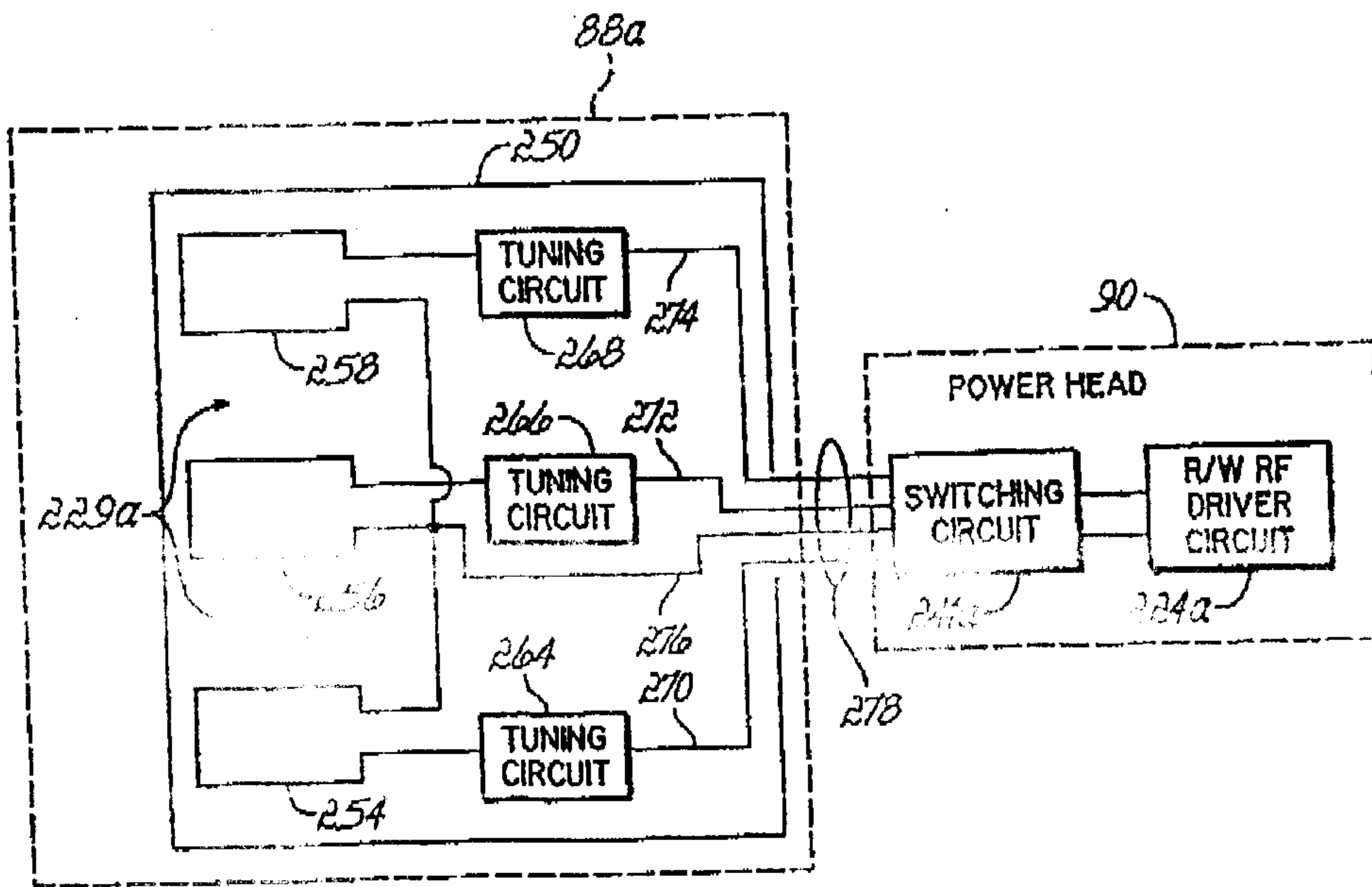


FIG. 17

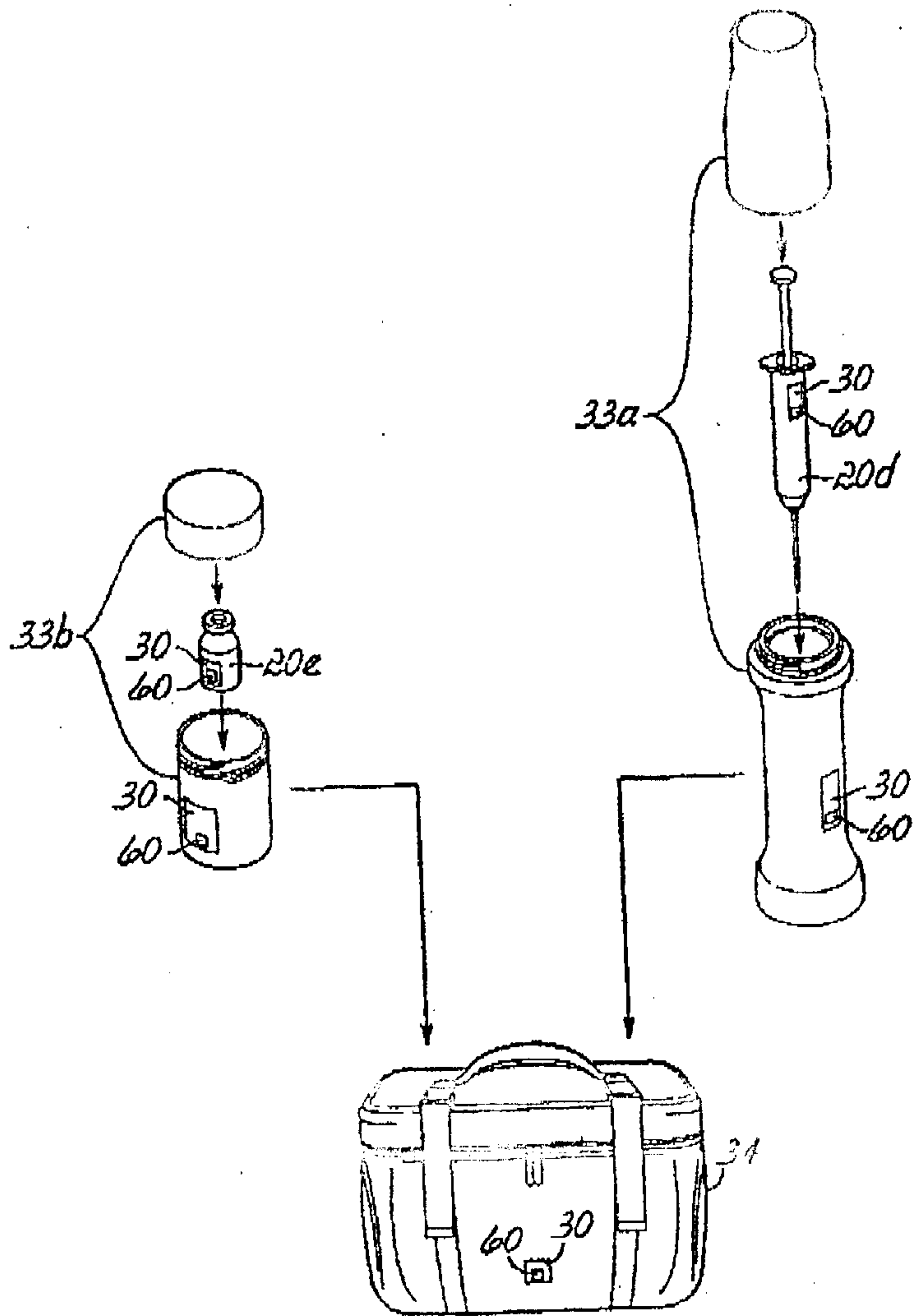


FIG. 18

└

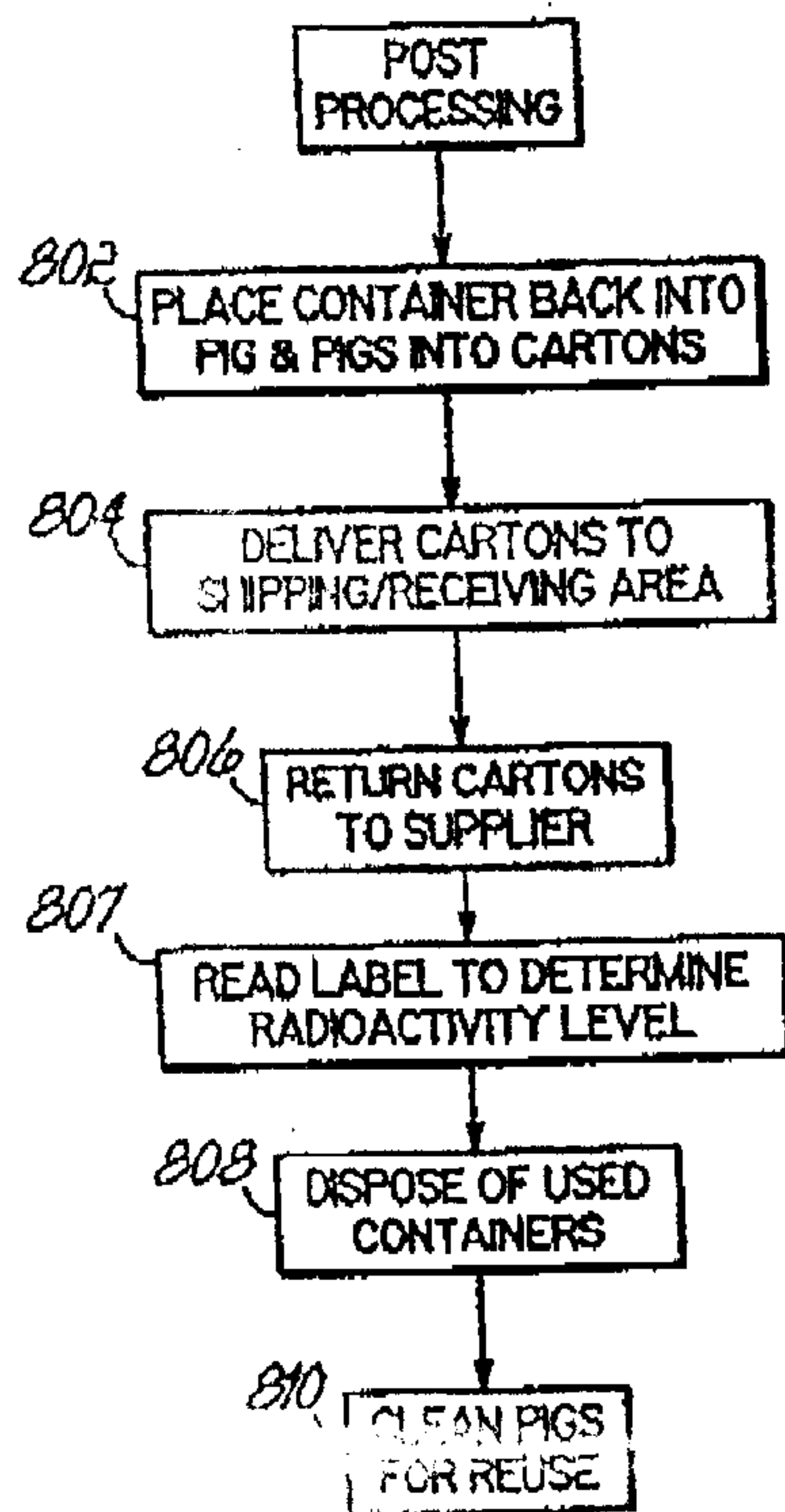


FIG. 19



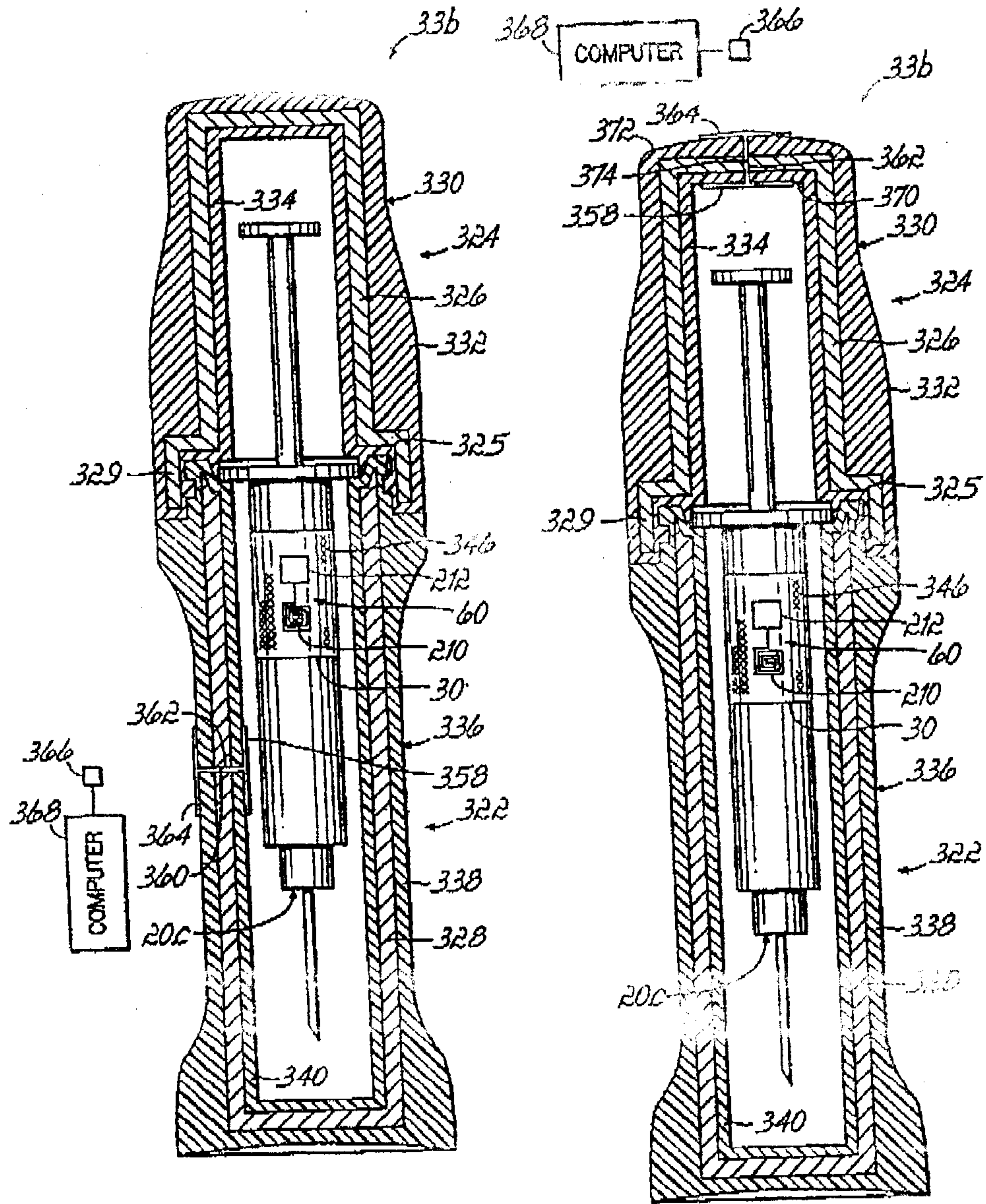


FIG. 20

FIG. 21

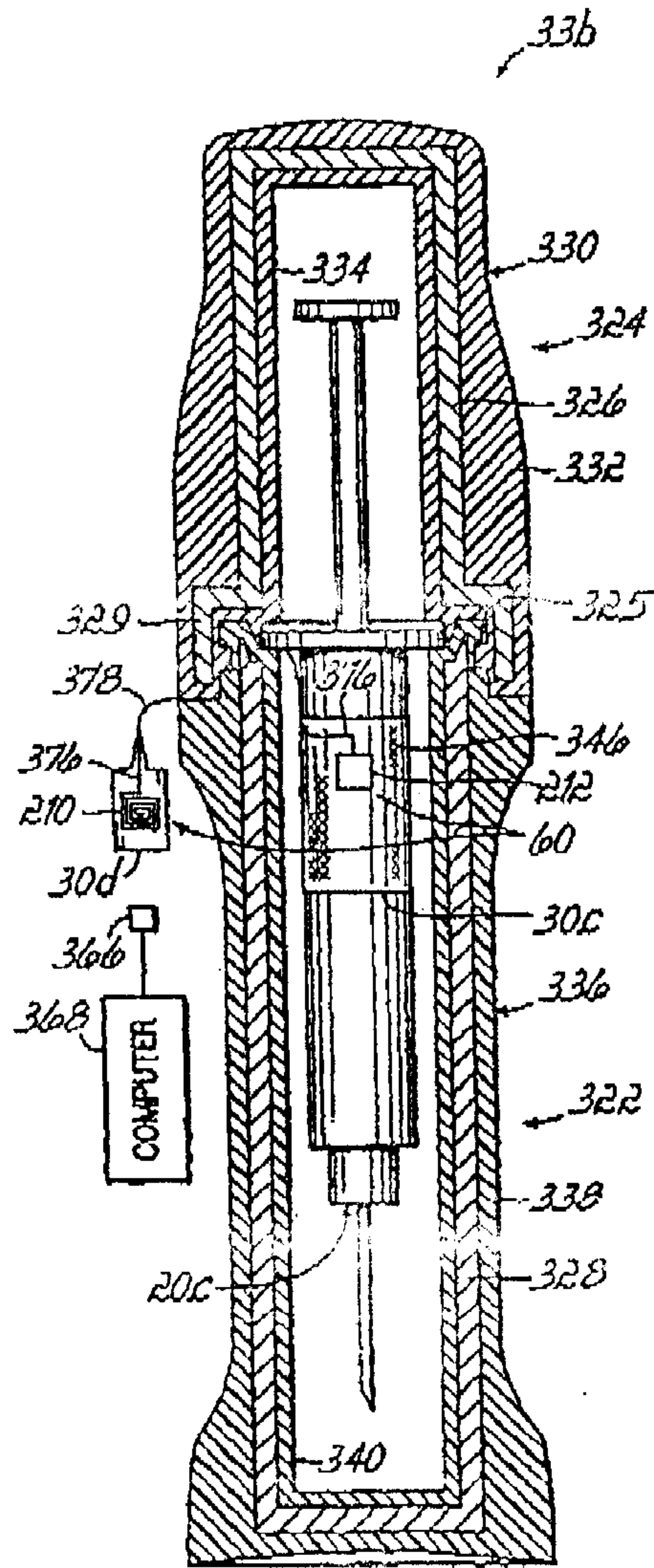


FIG. 22

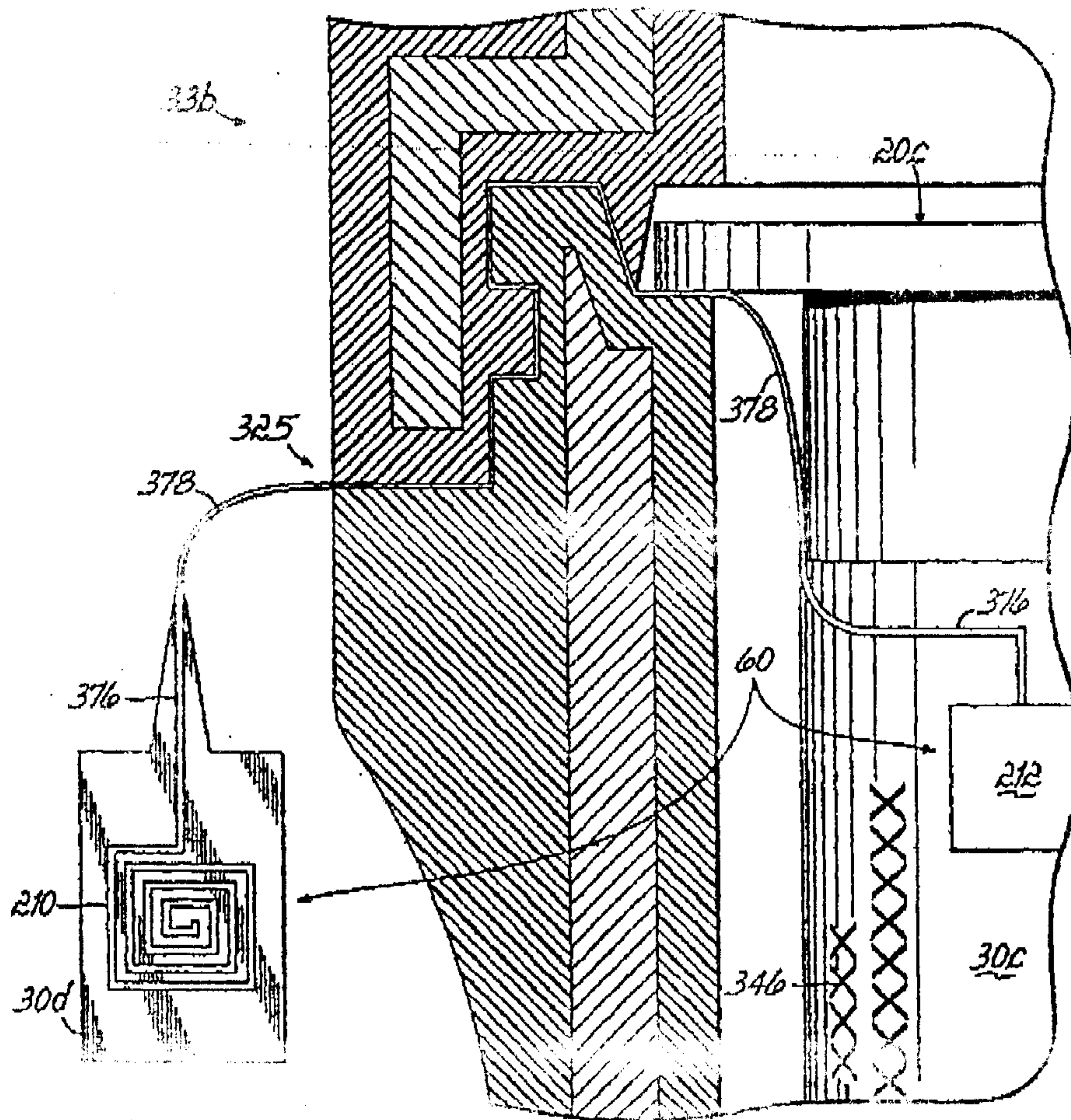


FIG. 22A

