

(12) INTERNATIONAL APPLICATION PUBLISHED UNDER THE PATENT COOPERATION TREATY (PCT)

(19) World Intellectual Property Organization
International Bureau



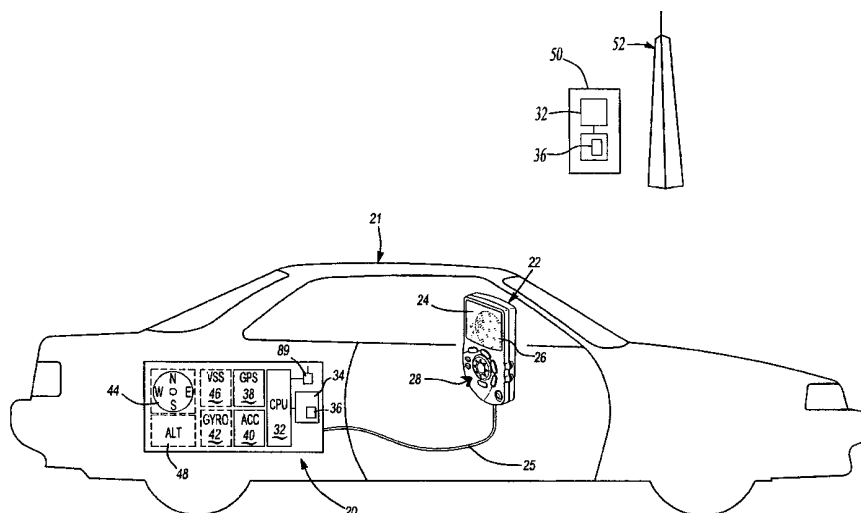
(43) International Publication Date
27 December 2001 (27.12.2001)

PCT

(10) International Publication Number
WO 01/99082 A3

- (51) International Patent Classification⁷: G08G 1/127
- (21) International Application Number: PCT/US01/19566
- (22) International Filing Date: 19 June 2001 (19.06.2001)
- (25) Filing Language: English
- (26) Publication Language: English
- (30) Priority Data:
09/598,538 21 June 2000 (21.06.2000) US
- (71) Applicant: MAGELLAN DIS, INC. [US/US]; 2950 Waterview, Rochester Hills, MI 48309 (US).
- (72) Inventor: SHONK, Carl, W.; 9765 S. Meridian Road, Shepherd, MI 48883 (US).
- (74) Agents: CARLSON, John, E. et al.; Carlson, Gaskey & Olds, P.C., Suite 350, 400 West Maple Road, Birmingham, MI 48009 (US).
- (81) Designated States (*national*): AE, AG, AL, AM, AT, AU, AZ, BA, BB, BG, BR, BY, BZ, CA, CH, CN, CO, CR, CU, CZ, DE, DK, DM, DZ, EE, ES, FI, GB, GD, GE, GH, GM, HR, HU, ID, IL, IN, IS, JP, KE, KG, KP, KR, KZ, LC, LK, LR, LS, LT, LU, LV, MA, MD, MG, MK, MN, MW, MX, MZ, NO, NZ, PL, PT, RO, RU, SD, SE, SG, SI, SK, SL, TJ, TM, TR, TT, TZ, UA, UG, UZ, VN, YU, ZA, ZW.
- (84) Designated States (*regional*): ARIPO patent (GH, GM, KE, LS, MW, MZ, SD, SL, SZ, TZ, UG, ZW), Eurasian patent (AM, AZ, BY, KG, KZ, MD, RU, TJ, TM), European patent (AT, BE, CH, CY, DE, DK, ES, FI, FR, GB, GR, IE, IT, LU, MC, NL, PT, SE, TR), OAPI patent (BF, BJ, CF, CG, CI, CM, GA, GN, GW, ML, MR, NE, SN, TD, TG).
- Published:
— with international search report
- (88) Date of publication of the international search report:
25 April 2002
- For two-letter codes and other abbreviations, refer to the "Guidance Notes on Codes and Abbreviations" appearing at the beginning of each regular issue of the PCT Gazette.

(54) Title: A METHOD OF TRANSMISSION OF LOCATION DATA FROM A VEHICLE



(57) Abstract: A navigation system that uses a method for transmitting the location of a vehicle to a location remote from the vehicle is provided. The method includes determining a location of the vehicle relative to a road network defined as a first location, and determining a change in the location of the vehicle relative to the road network defined as a second location. The first location may be a first street while the second location is a second street different that the first street. The navigation system then communicates the location of the vehicle to the remote location when vehicle reaches the second location. In another aspect of the present invention, the method includes determining a location of the vehicle relative to a road network defined as a first location. A new location of the vehicle is determined relative to the road network and is defined as a second location. The first location of the vehicle is communicated to the remote location at a first frequency, and the second location of the vehicle is communicated to the remote location at a second frequency, which is different from the first frequency.



WO 01/99082 A3

INTERNATIONAL SEARCH REPORT

International Application No

PCT/US 01/19566

C.(Continuation) DOCUMENTS CONSIDERED TO BE RELEVANT

Category *	Citation of document, with indication, where appropriate, of the relevant passages	Relevant to claim No.
X	EP 0 745 959 A (FUJITSU LTD) 4 December 1996 (1996-12-04) page 8, line 4-11 page 15, line 18-37 page 15, line 54 -page 16, line 4 page 19, line 30-33	1-4,9-11
Y	page 21, line 21-57	7,8, 16-18, 20-22
A	----- US 5 751 245 A (JANKY JAMES M ET AL) 12 May 1998 (1998-05-12) column 6, line 15-27 column 7, line 1-10 column 15, line 11-24 -----	1-22

INTERNATIONAL SEARCH REPORT

Information on patent family members

International Application No

PCT/US 01/19566

Patent document cited in search report		Publication date	Patent family member(s)	Publication date
WO 0034932	A	15-06-2000	AU 1667900 A	26-06-2000
			EP 1149373 A1	31-10-2001
			WO 0034932 A1	15-06-2000
			GB 2344677 A , B	14-06-2000
EP 0745959	A	04-12-1996	EP 0745959 A2	04-12-1996
			JP 9050548 A	18-02-1997
			US 6073062 A	06-06-2000
US 5751245	A	12-05-1998	NONE	