



US0D1069208S

(12) **United States Design Patent**
Zhang et al.

(10) **Patent No.:** **US D1,069,208 S**

(45) **Date of Patent:** **** Apr. 1, 2025**

(54) **WALL LIGHT**

(71) Applicant: **Zhongshan Zhongqian intelligent Electrical Technology Co., Ltd.**, Guangdong (CN)

(72) Inventors: **Qiaoqiao Zhang**, Guangdong (CN); **Zhipeng Zhang**, Guangdong (CN); **Jian Chen**, Guangdong (CN)

(73) Assignee: **Zhongshan Zhongqian Intelligent Electrical**, Zhongshan (CN)

(**) Term: **15 Years**

(21) Appl. No.: **29/973,537**

(22) Filed: **Nov. 16, 2024**

(51) **LOC (15) Cl.** **26-05**

(52) **U.S. Cl.**
USPC **D26/72; D26/85**

(58) **Field of Classification Search**
USPC **D26/72, 74, 80-91, 128, 130, 137**
(Continued)

(56) **References Cited**

U.S. PATENT DOCUMENTS

D825,813 S * 8/2018 Xiang D26/85
D940,372 S * 1/2022 Loew D26/85
(Continued)

OTHER PUBLICATIONS

8 Pack Decorative Solar Powered Fence Lights Outdoor Waterproof with Warm White LED Spot Lens, for Outside Wall, Deck, Patio, Yard, Rail, Garage, Pool, Designed for Enhanced Security, Easy Install, available on Amazon.com, date first available Sep. 19, 2023 [online], [site visited Jan. 8, 2025], Available from the internet URL: <https://www.amazon.com/GVSHINE-Decorative-Waterproof-Ultra-Durable-Installation/dp/B0CJBFM8NJ?th=1+1%2F12> (Year: 2023).
(Continued)

Primary Examiner — Sharon S Oum

Assistant Examiner — Raylen E Worthington

(74) *Attorney, Agent, or Firm* — Justin Lampel

(57) **CLAIM**

The ornamental design for a wall light as shown and described.

DESCRIPTION

FIG. 1 is a perspective view of the first embodiment of a wall light, showing our new design; FIG. 2 is another perspective view thereof; FIG. 3 is a front view thereof; FIG. 4 is a back view thereof; FIG. 5 is a left view thereof; FIG. 6 is a right view thereof; FIG. 7 is a top plan view thereof; FIG. 8 is a bottom plan view thereof; FIG. 9 is a perspective view of the second embodiment of the wall light showing our new design; FIG. 10 is another perspective view of the second embodiment of the wall washer of FIG. 9; FIG. 11 is a front view of the second embodiment of the wall washer of FIG. 9; FIG. 12 is a back view of the second embodiment of the wall washer of FIG. 9; FIG. 13 is a left view of the second embodiment of the wall washer of FIG. 9; FIG. 14 is a right view of the second embodiment of the wall washer of FIG. 9; FIG. 15 is a top plan view of the second embodiment of the wall washer of FIG. 9; FIG. 16 is a bottom plan view of the second embodiment of the wall washer of FIG. 9; FIG. 17 is a perspective view of the third embodiment of the wall light showing our new design; FIG. 18 is another perspective view of the third embodiment of the wall light of FIG. 17; FIG. 19 is a front view of the third embodiment of the wall light of FIG. 17; FIG. 20 is a back view of the third embodiment of the wall light of FIG. 17; FIG. 21 is a left view of the third embodiment of the wall light of FIG. 17;

(Continued)

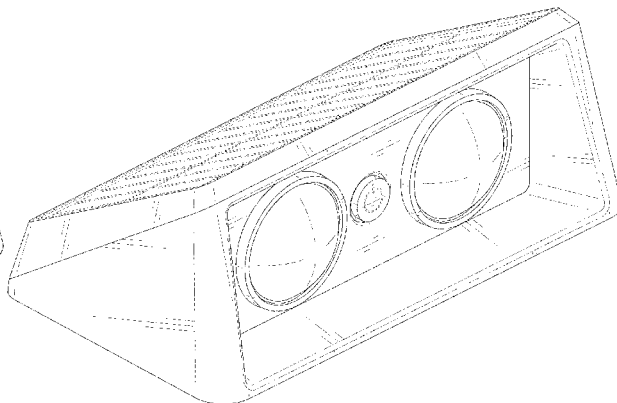
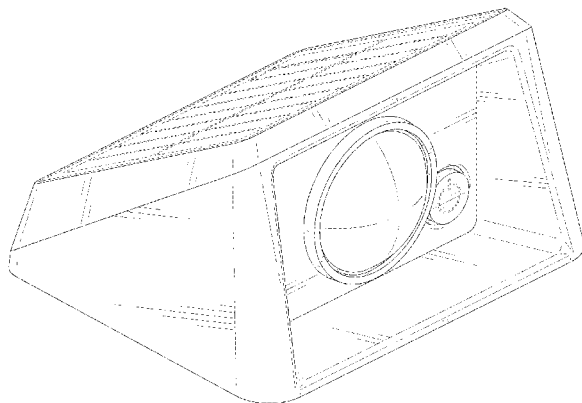


FIG. 22 is a right view of the third embodiment of the wall light of FIG. 17;

FIG. 23 is a top plan view of the third embodiment of the wall light of FIG. 17; and,

FIG. 24 is a bottom plan view of the third embodiment of the wall light of FIG. 17.

The dash-dash broken lines depict portions of the wall light and form no part of the claimed design. The dash-dot-dash broken lines define the bounds of the claimed design and form no part thereof.

1 Claim, 24 Drawing Sheets

(58) **Field of Classification Search**

CPC F21W 2131/107; F21W 2131/109; F21S 8/033; F21S 9/035

See application file for complete search history.

(56) **References Cited**

U.S. PATENT DOCUMENTS

D994,951 S * 8/2023 Kang D26/85
 D1,017,093 S * 3/2024 Ou D26/85

D1,020,044 S * 3/2024 Zeng D26/85
 D1,025,437 S * 4/2024 Liu D26/85
 D1,026,279 S * 5/2024 Weng D26/72
 D1,027,255 S * 5/2024 Ou D26/85
 D1,041,725 S * 9/2024 Lin D26/85
 D1,045,184 S * 10/2024 Lin D26/85
 D1,050,532 S * 11/2024 Xu D26/72
 D1,052,146 S * 11/2024 Wang D26/80
 D1,054,610 S * 12/2024 Xu D26/72

OTHER PUBLICATIONS

Solar Wall Lights Outdoor 3000K Warm White Downlights Waterproof LED Dusk to Dawn Solar Lights for House Number, Patio, Porch, Address Sign(2Pack, Downlight), available on Amazon.com, date first available Aug. 29, 2023 [online], [site visited Jan. 8, 2025], Available from the internet URL: <https://www.amazon.com/XmnSoly-Outdoor-Waterproof-Powered-Downlight/dp/B0CGV8G4S8?th=1> (Year: 2023).*

Applicant disclosed the product offline.

Non Applicant disclosure https://www.1000bulbs.com/product/228072/PLT-13001.html?gad_source=1&gclid=EAlaQobChMI-X1y5zhiQMVFg.

* cited by examiner

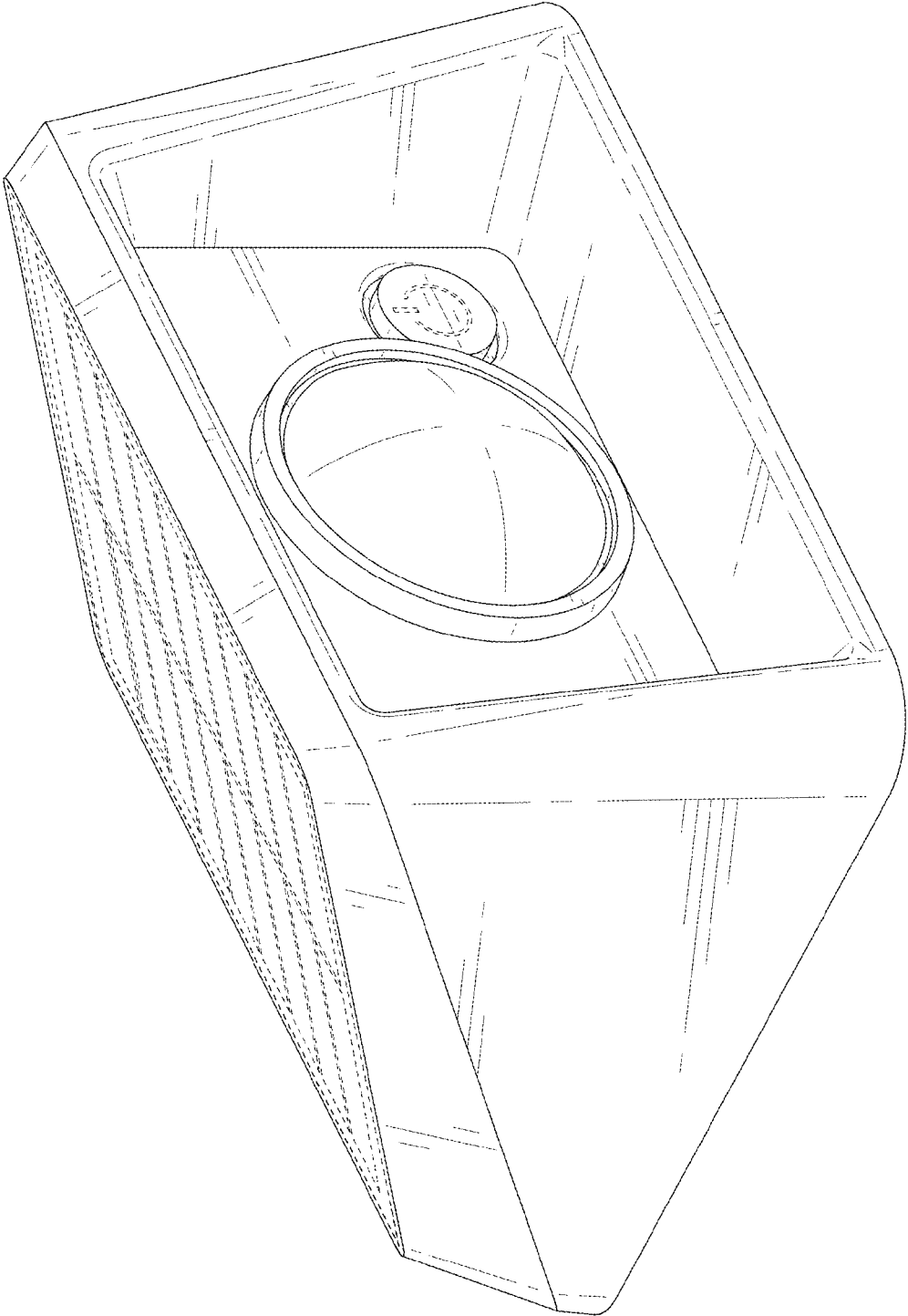


FIG.1

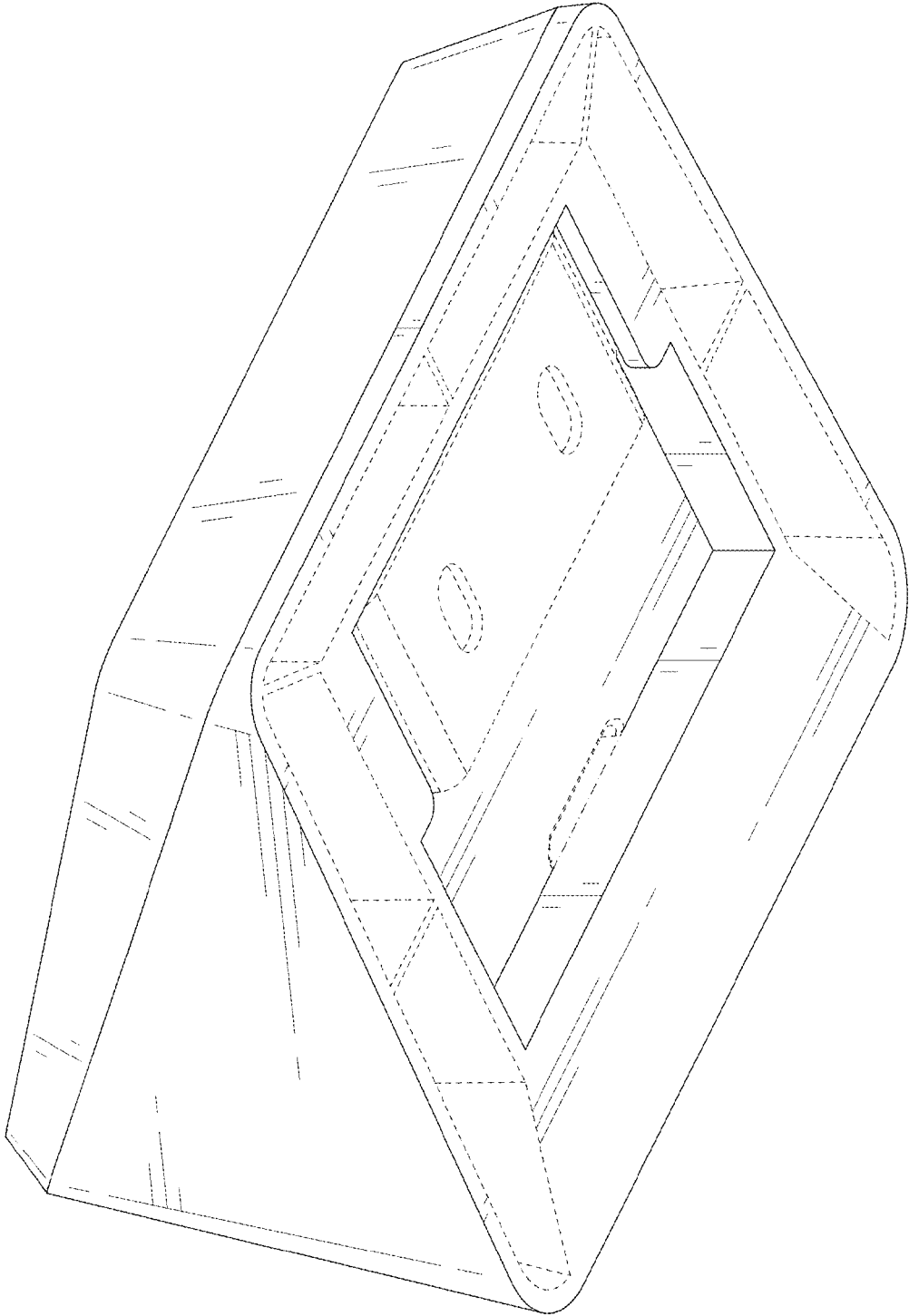


FIG.2

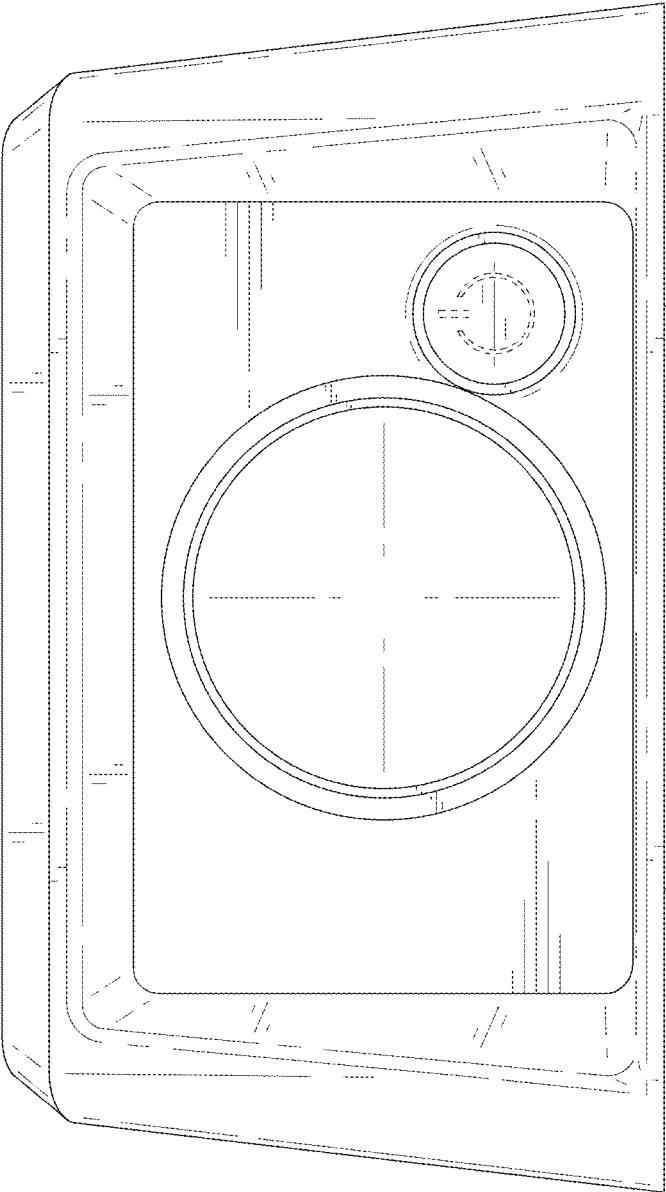


FIG.3

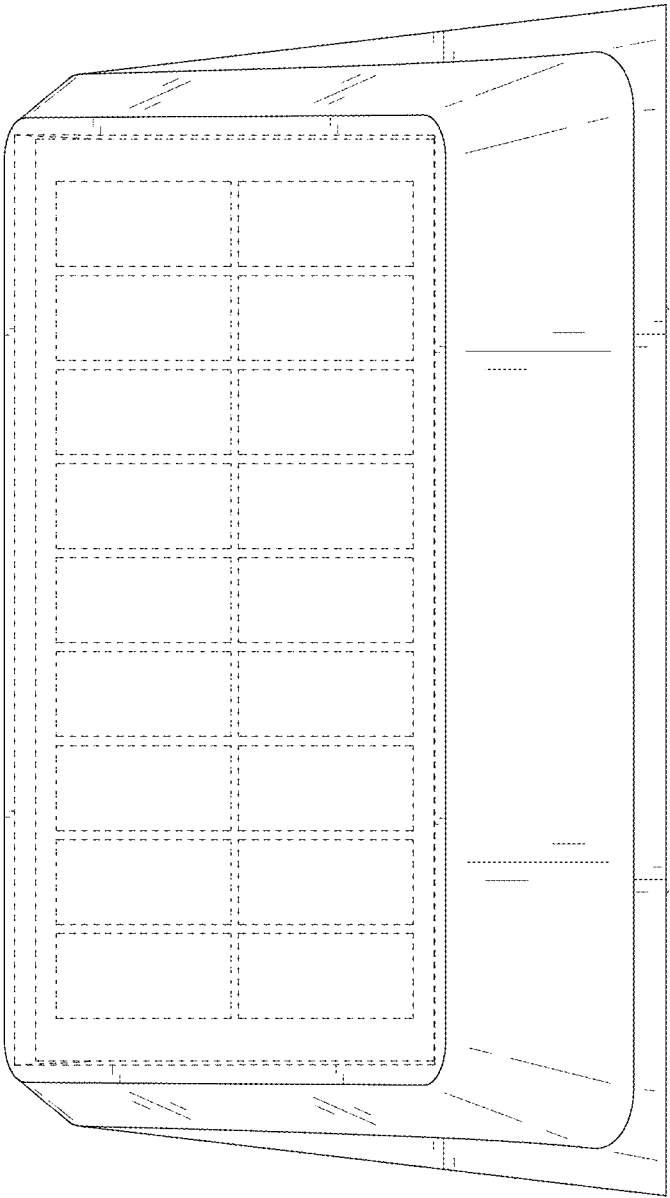


FIG.4

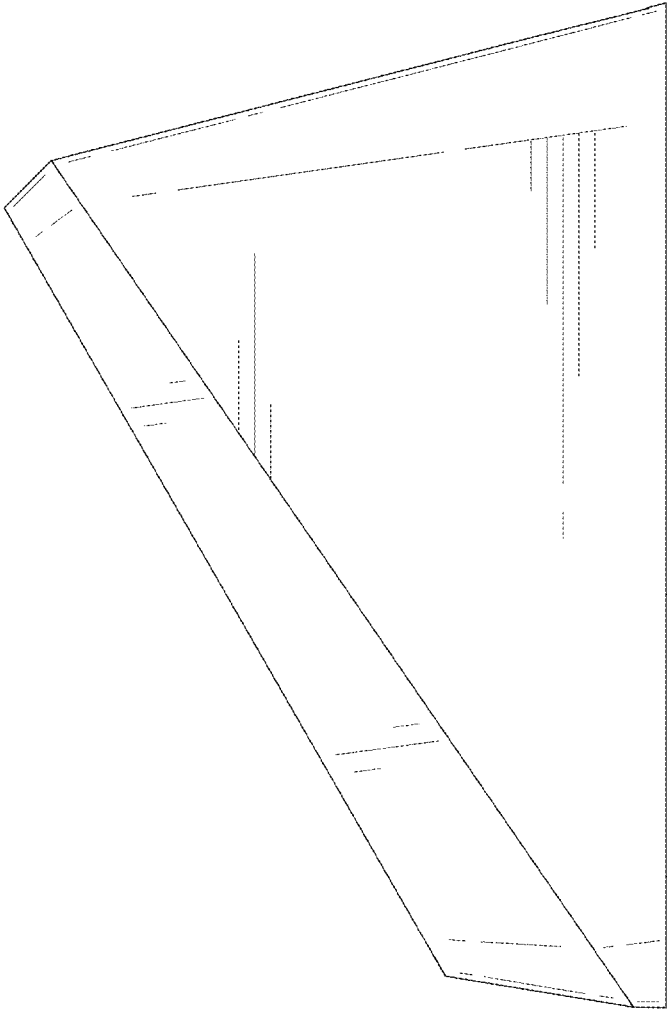


FIG.5

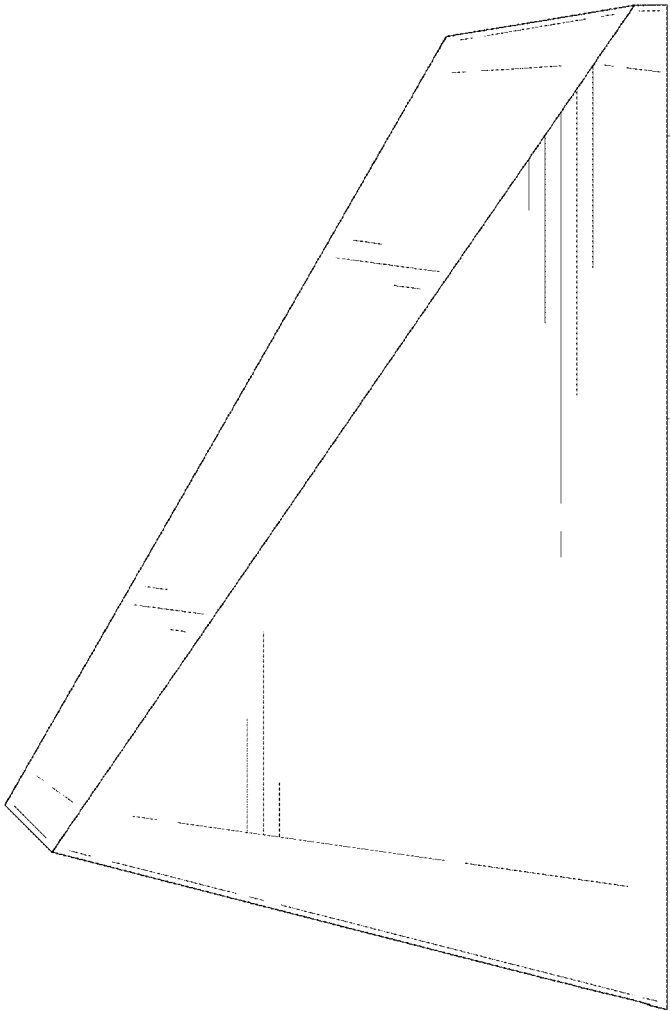


FIG.6

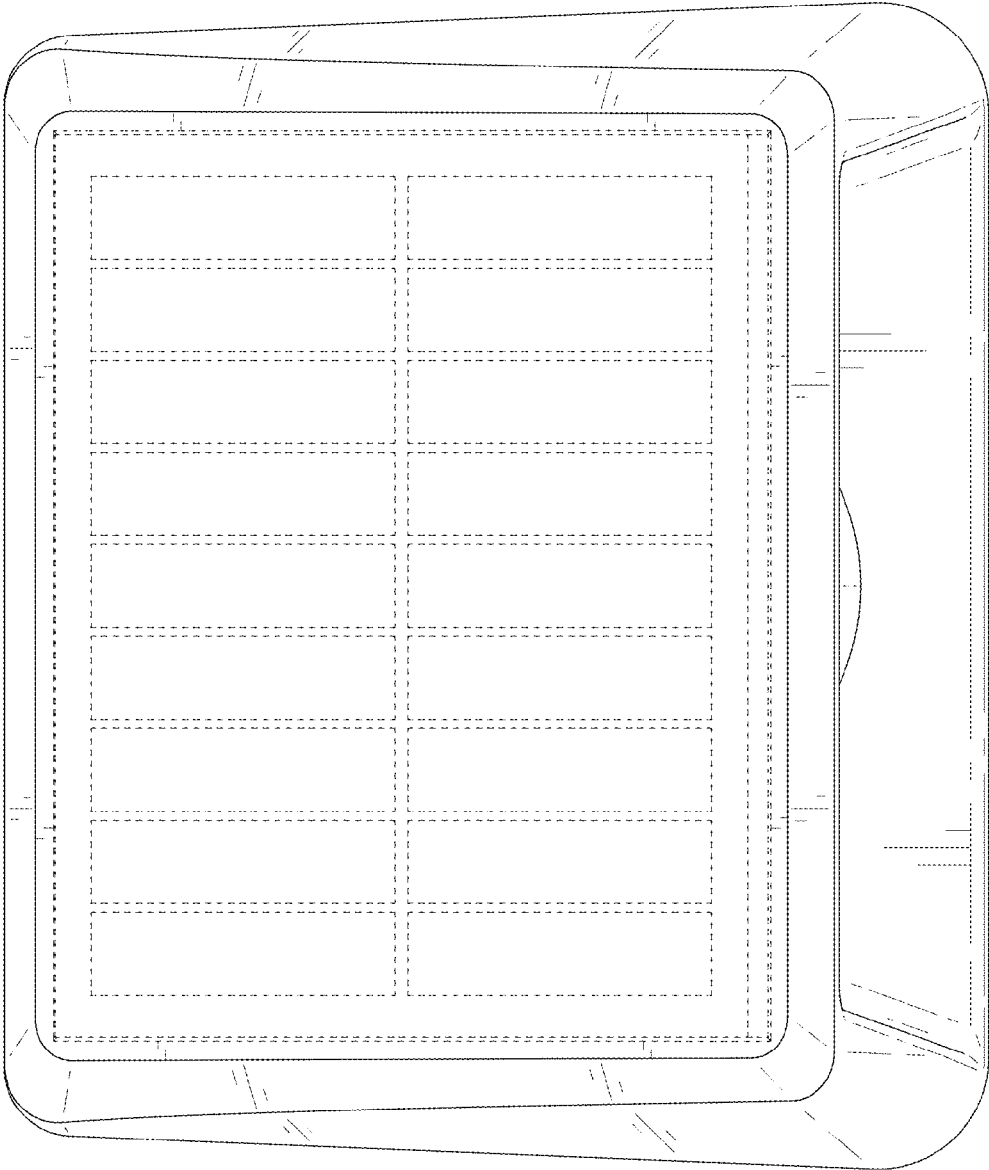


FIG.7

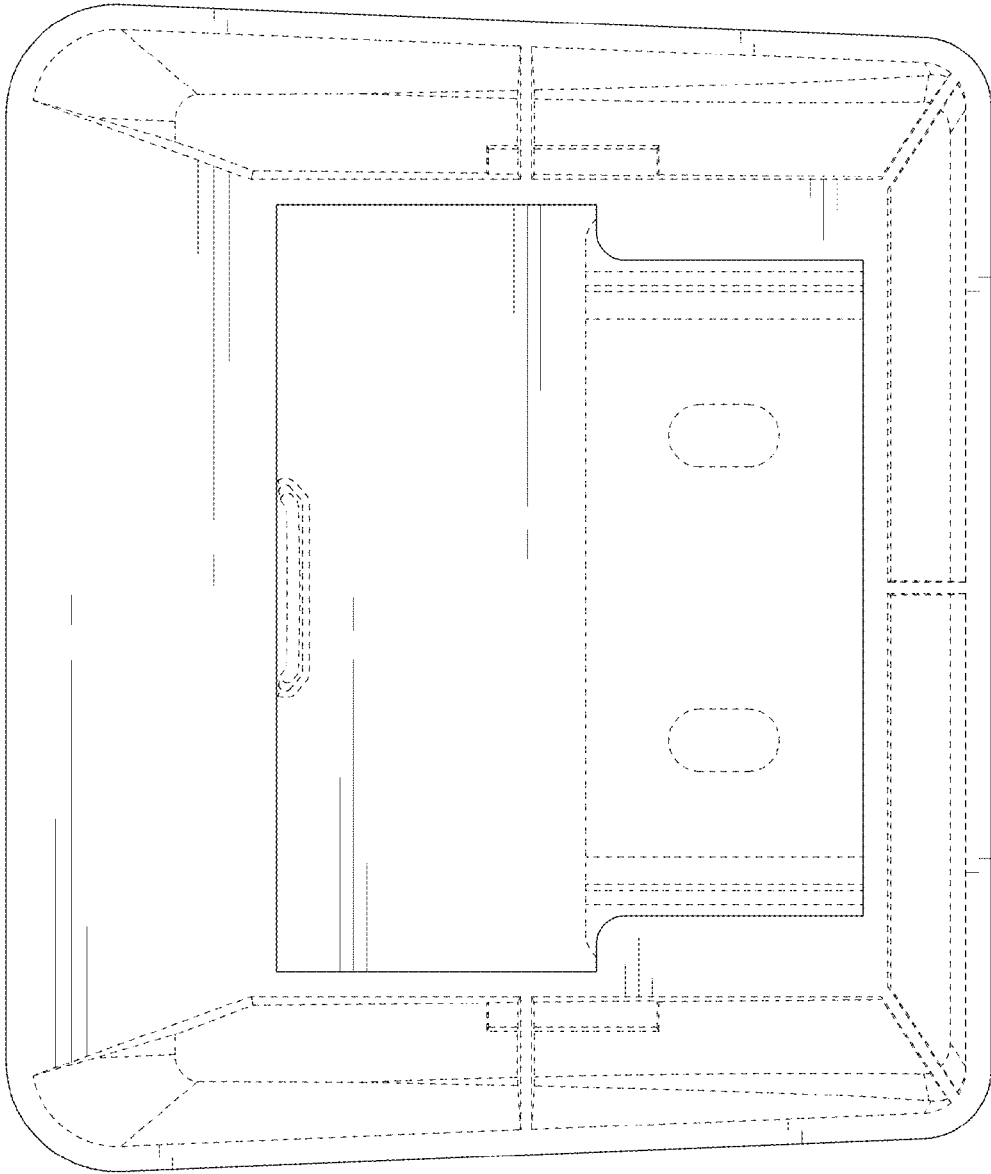


FIG.8

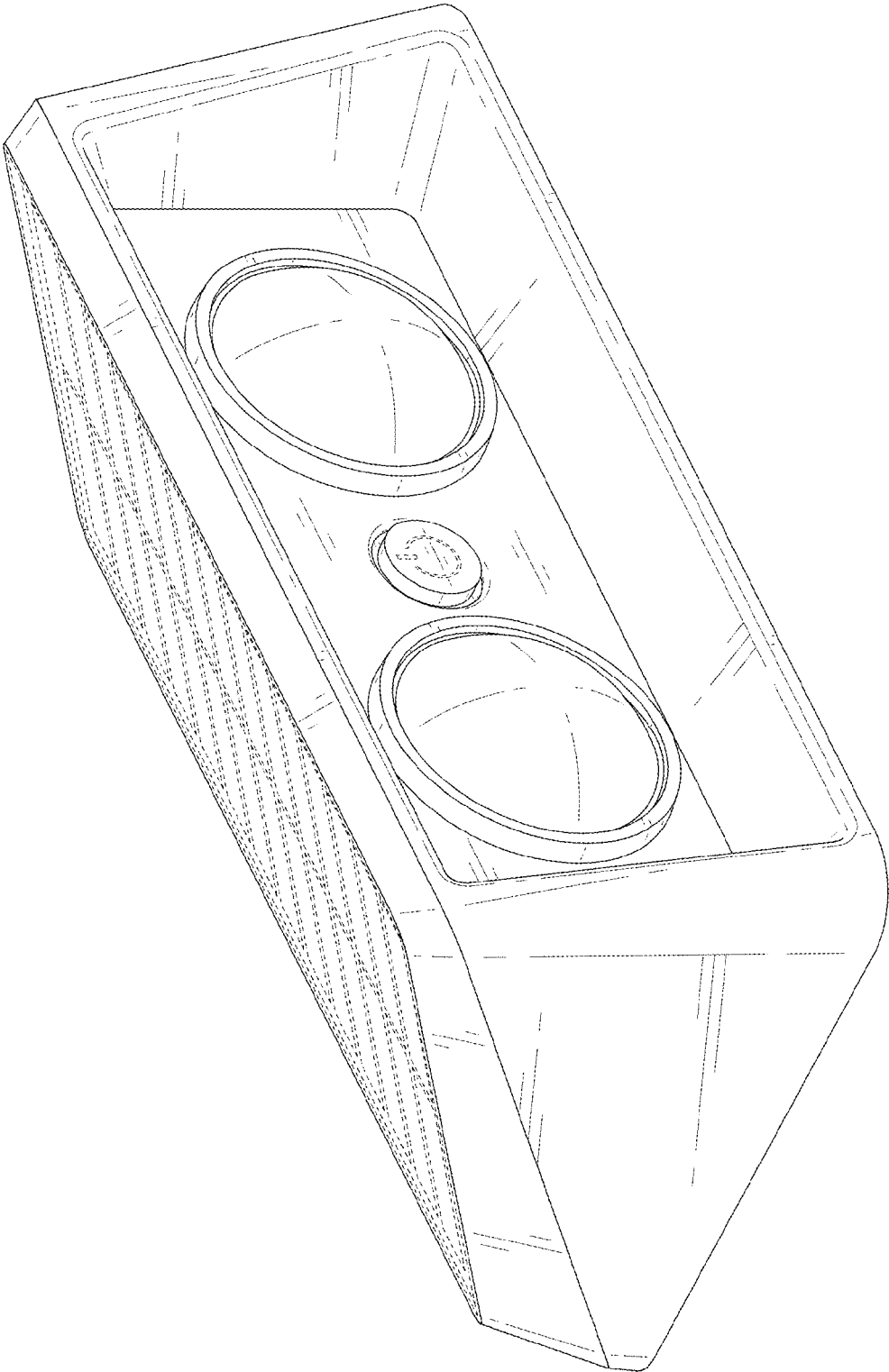


FIG.9

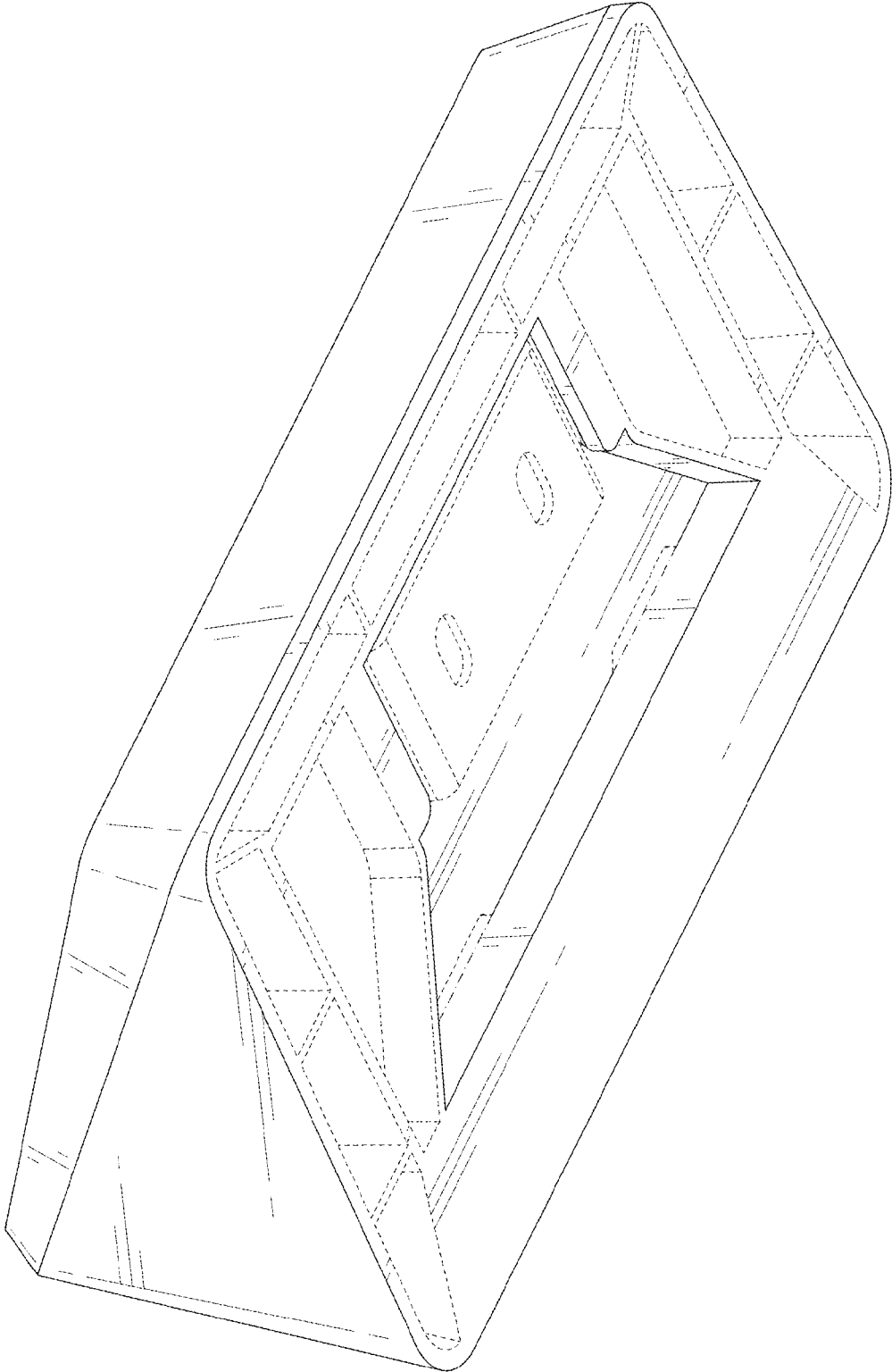


FIG.10

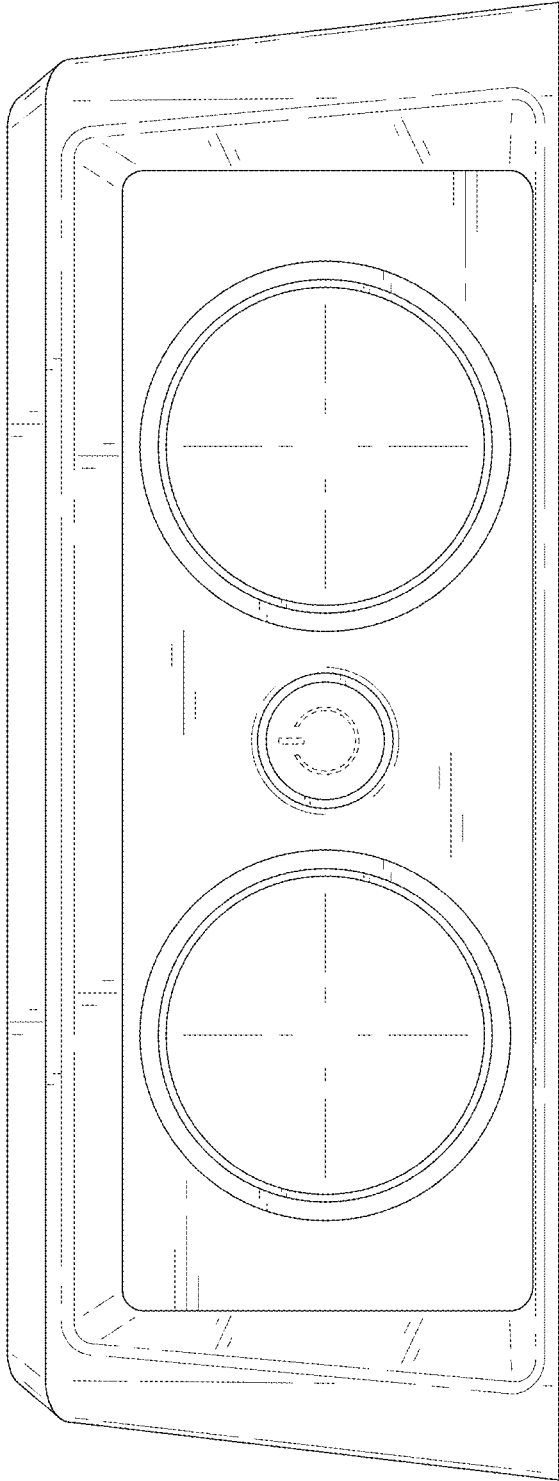


FIG.11

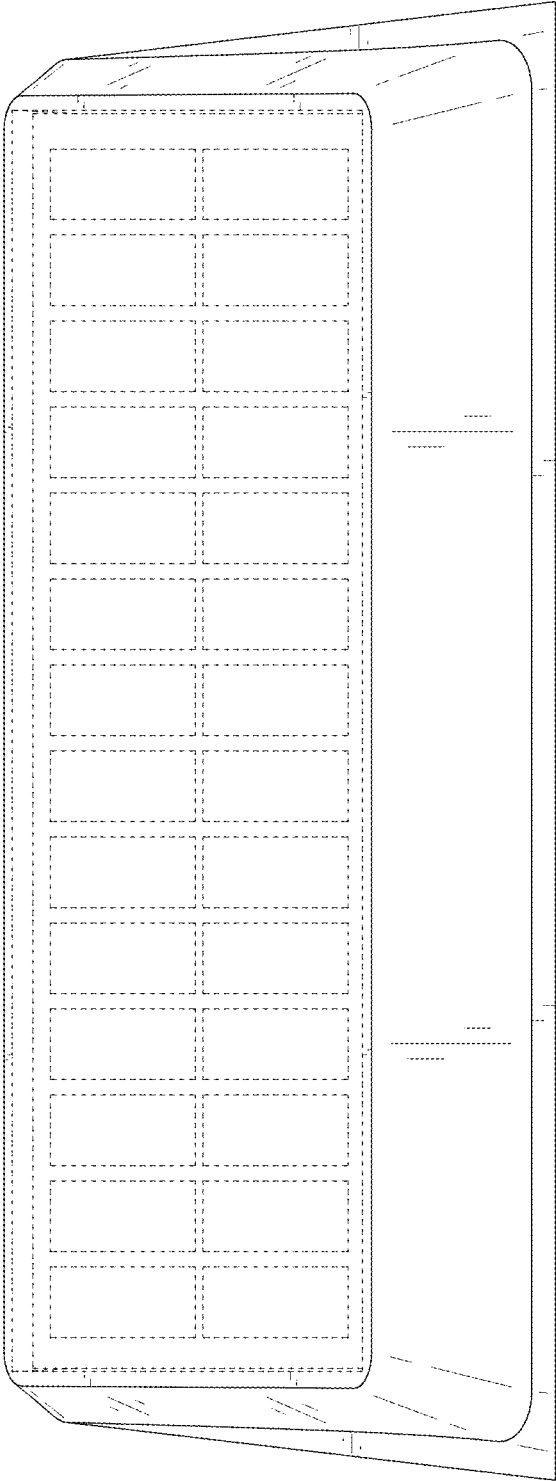


FIG.12

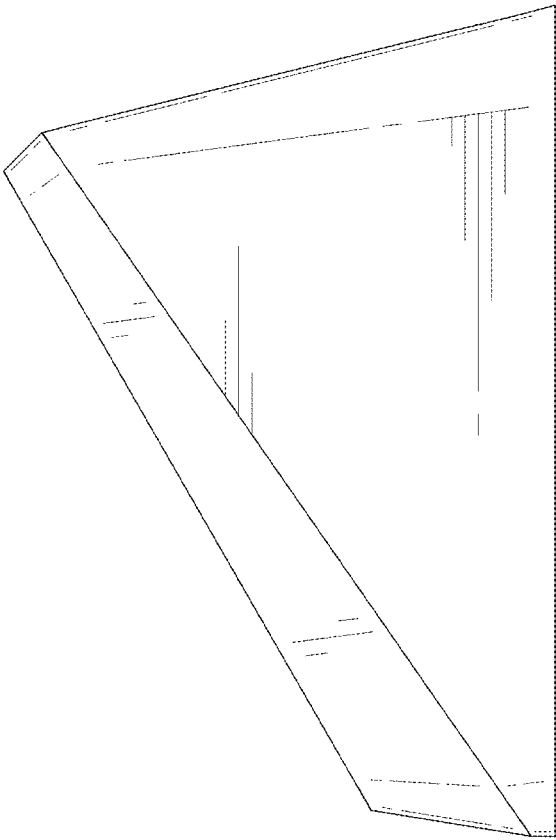


FIG.13

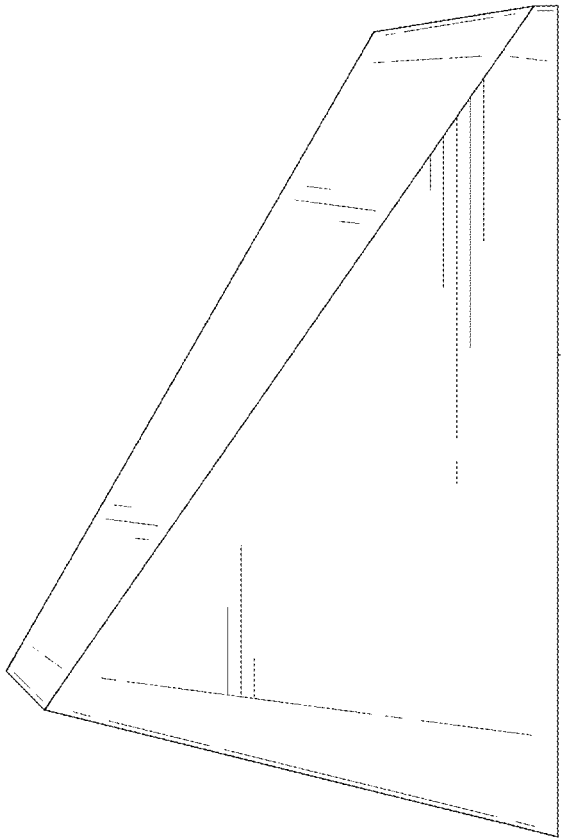


FIG.14

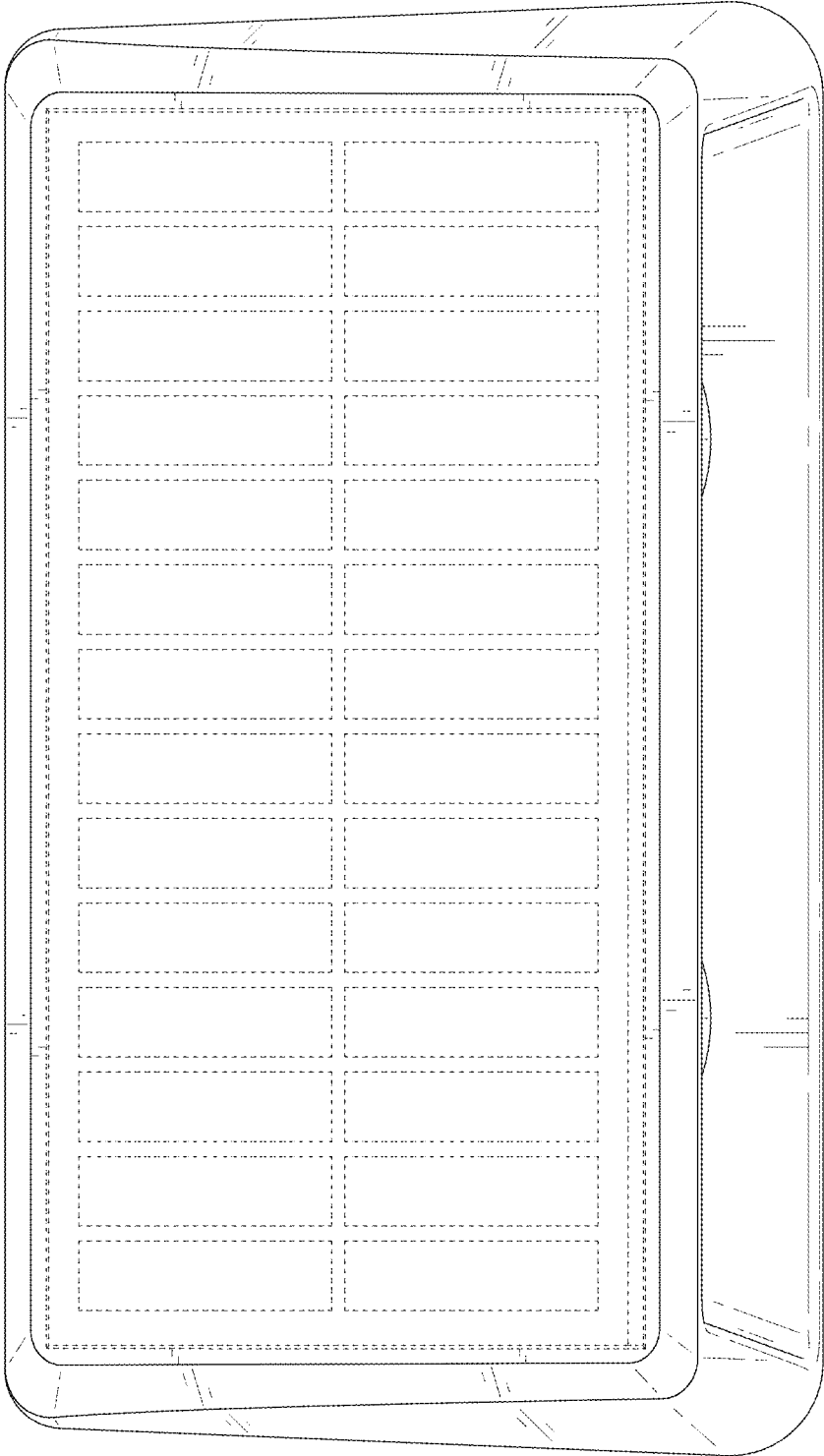


FIG.15

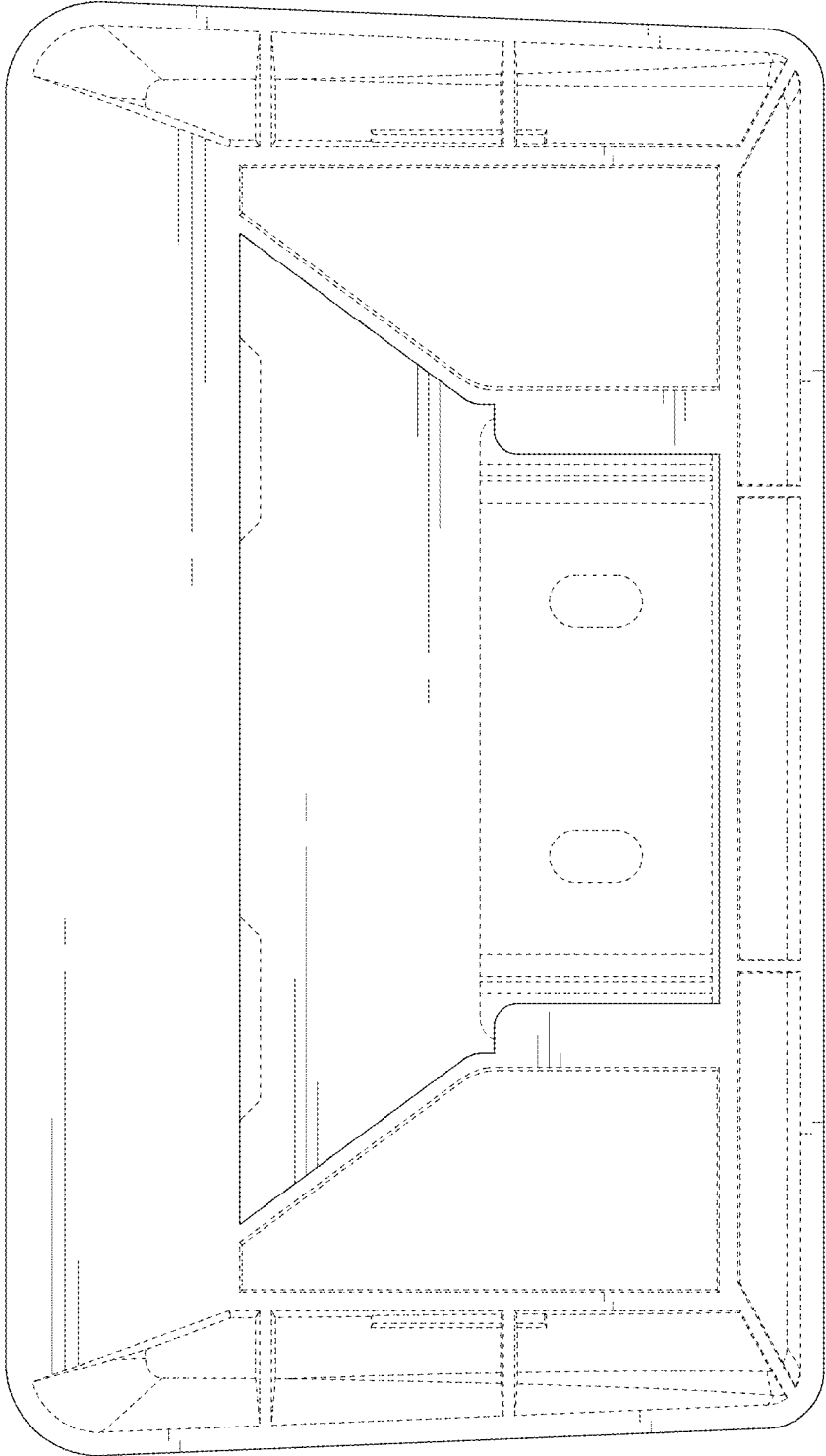


FIG.16

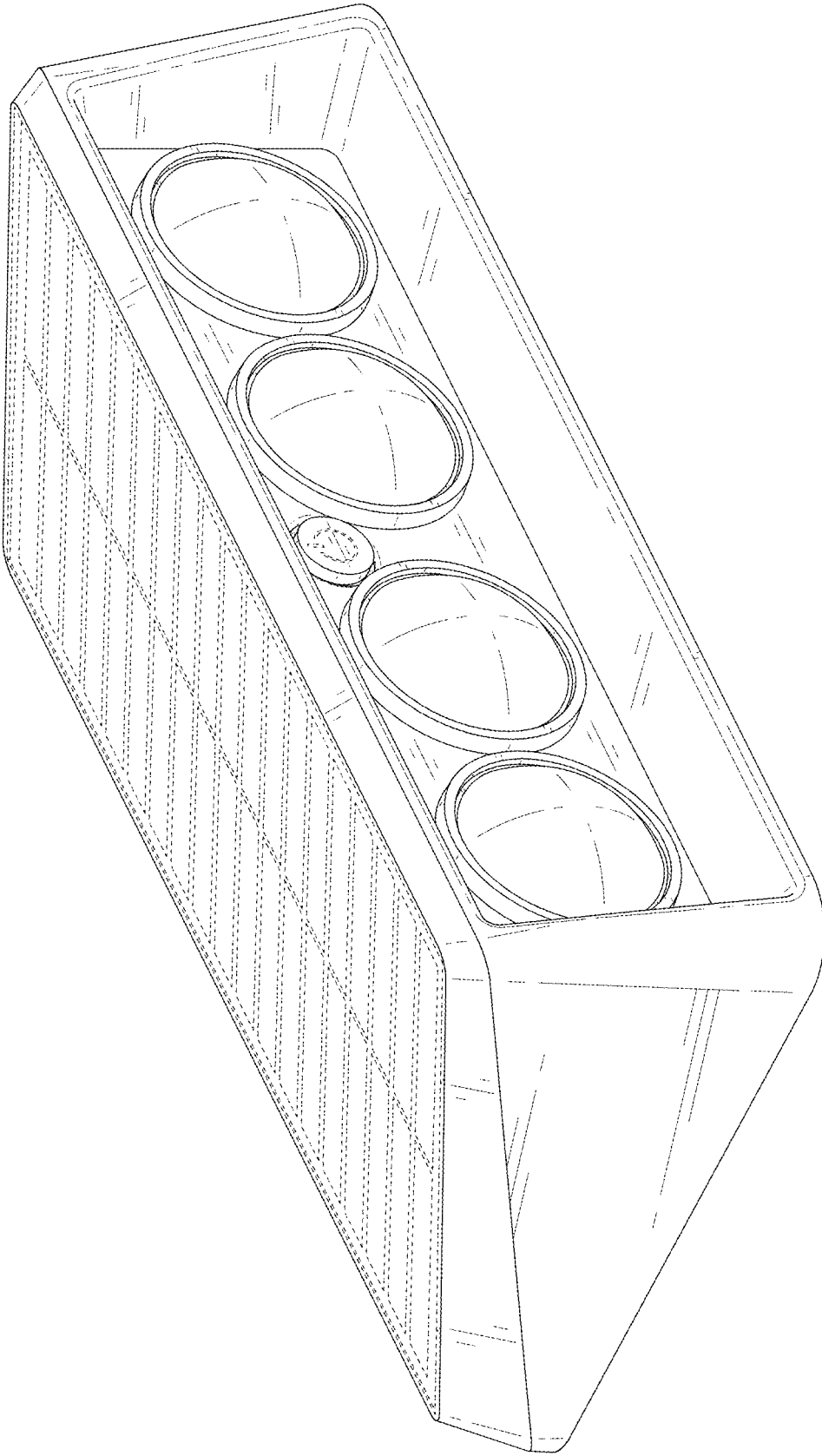


FIG.17

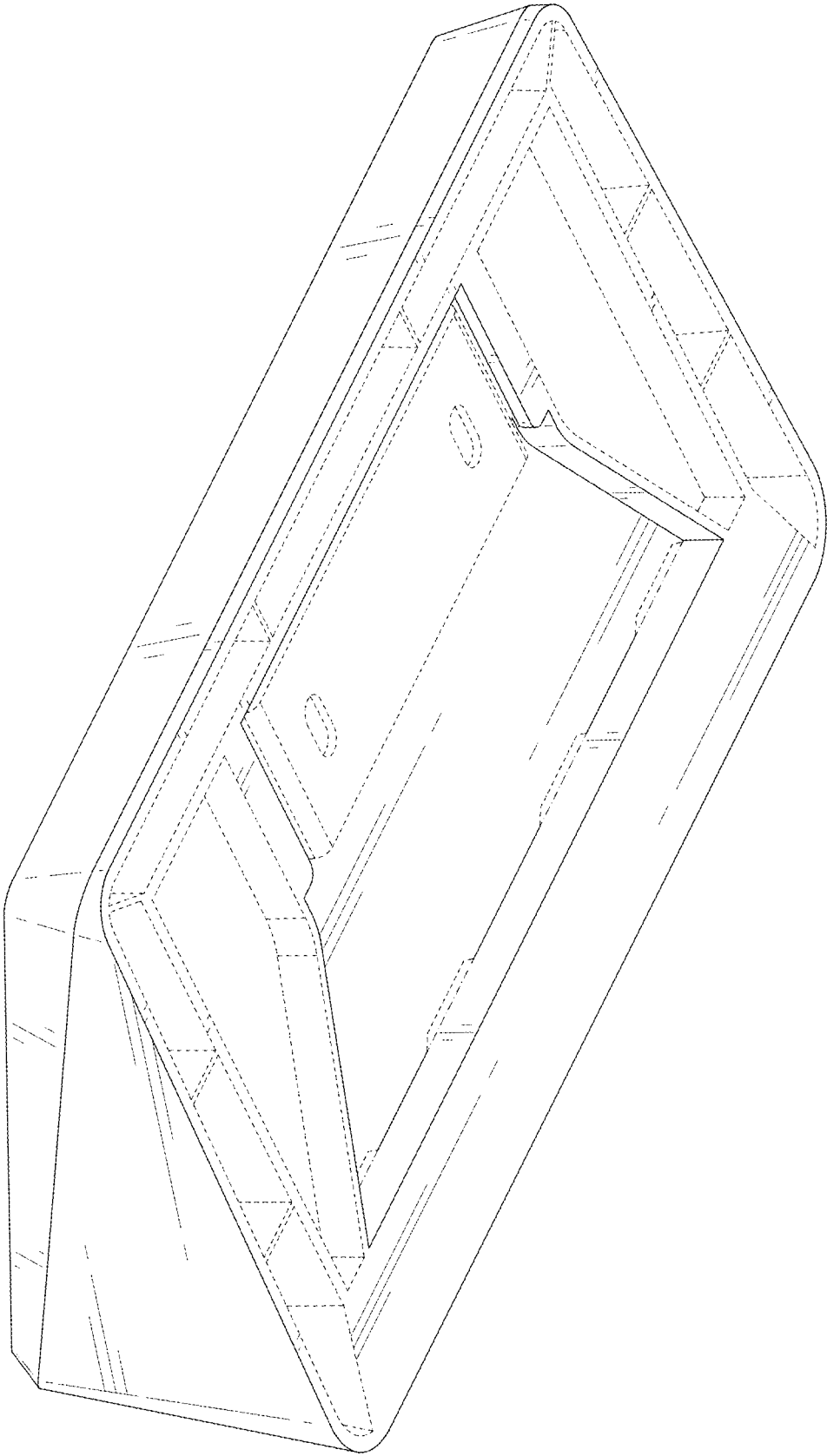


FIG.18

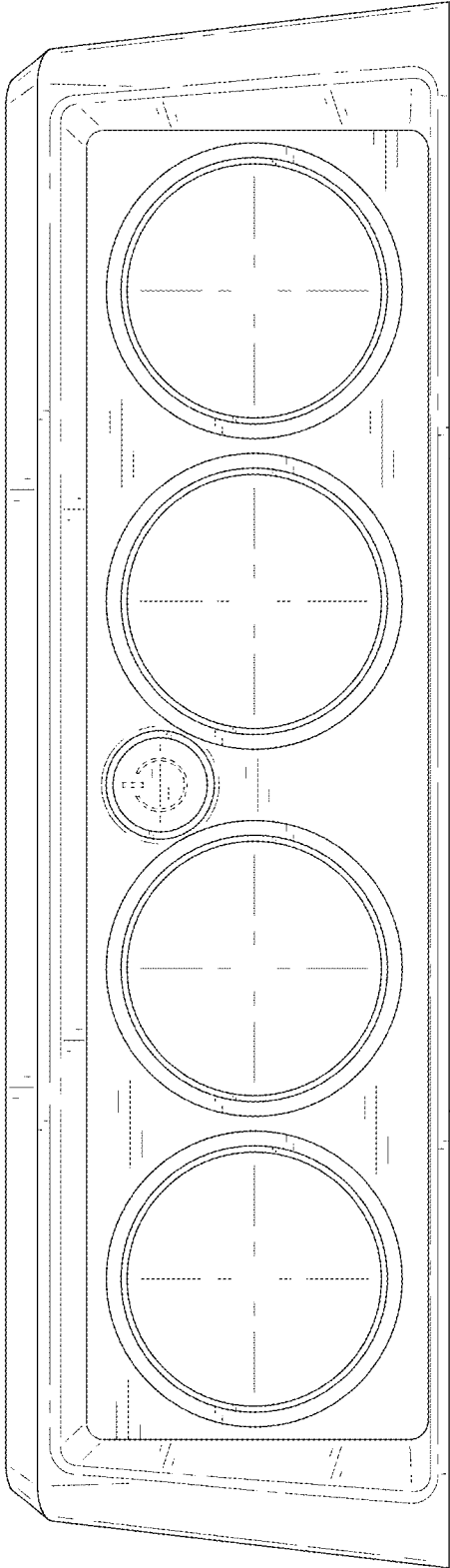


FIG.19

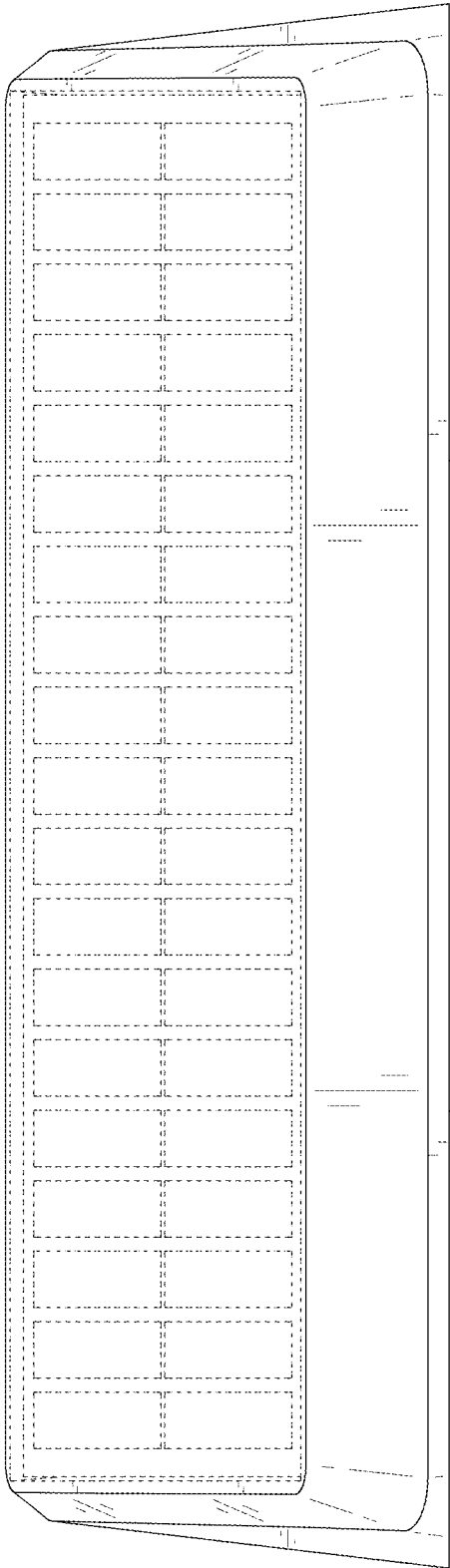


FIG.20

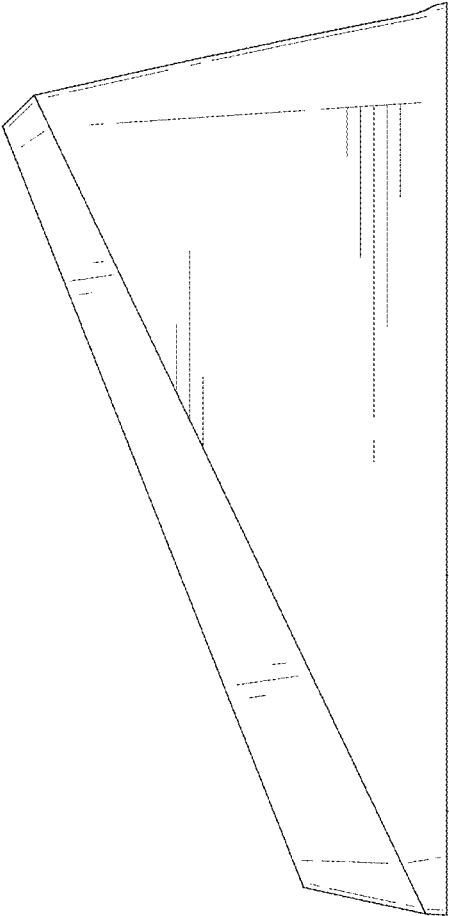


FIG.21

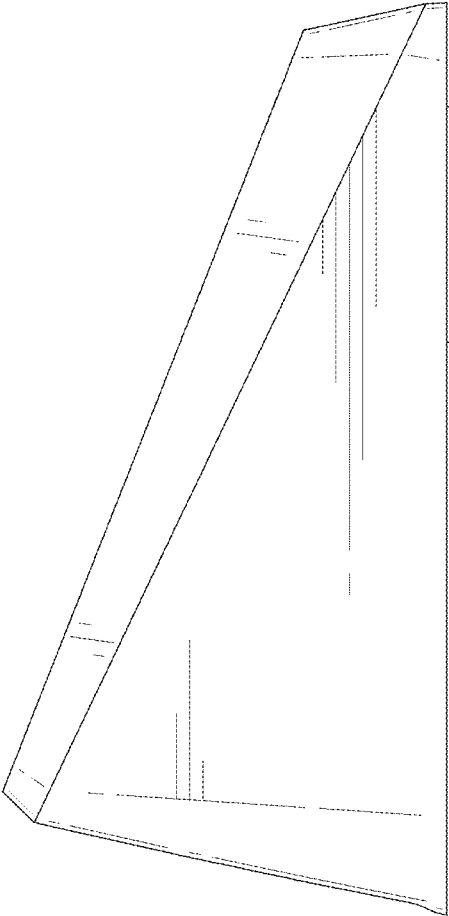


FIG.22

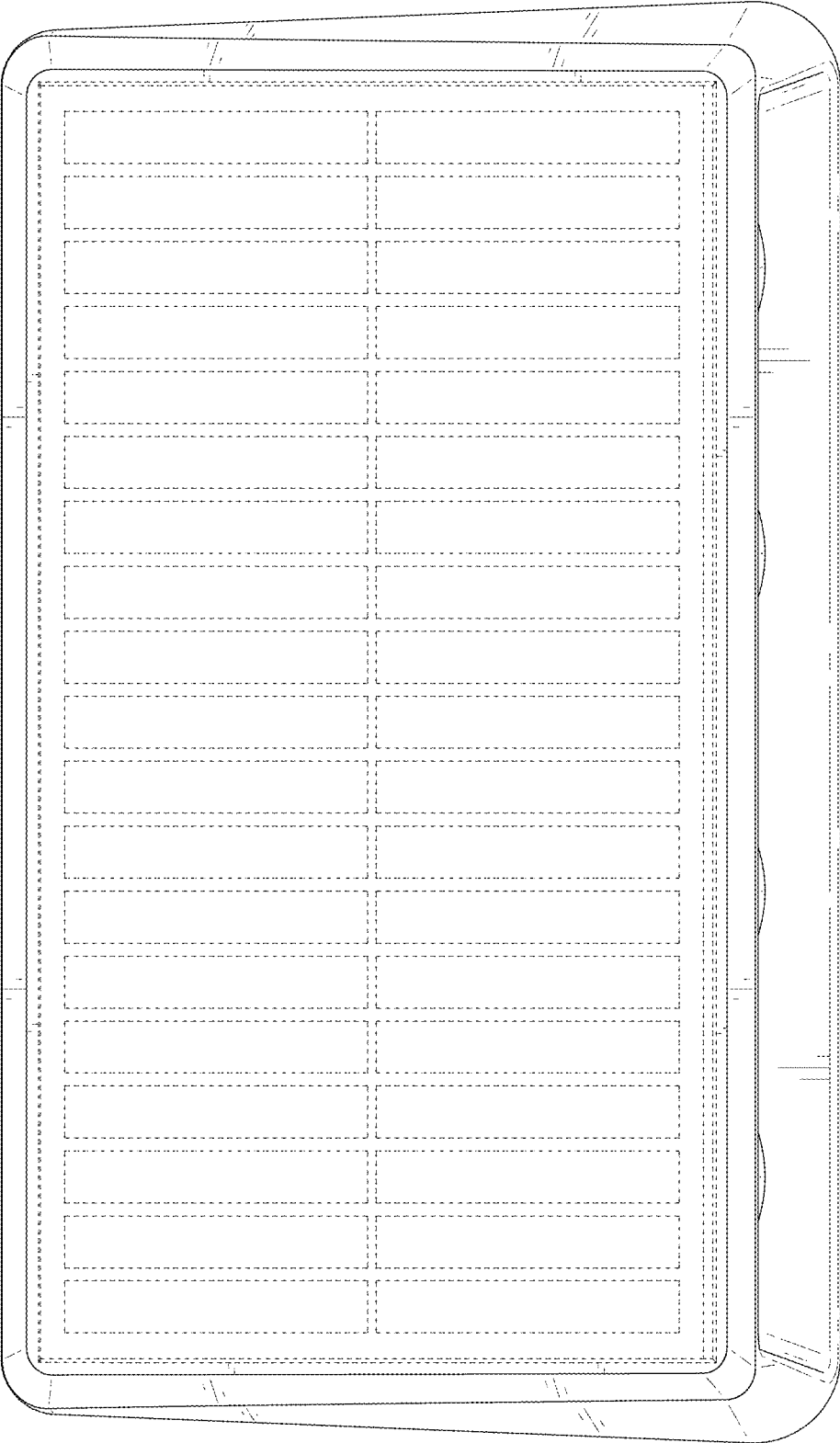


FIG.23

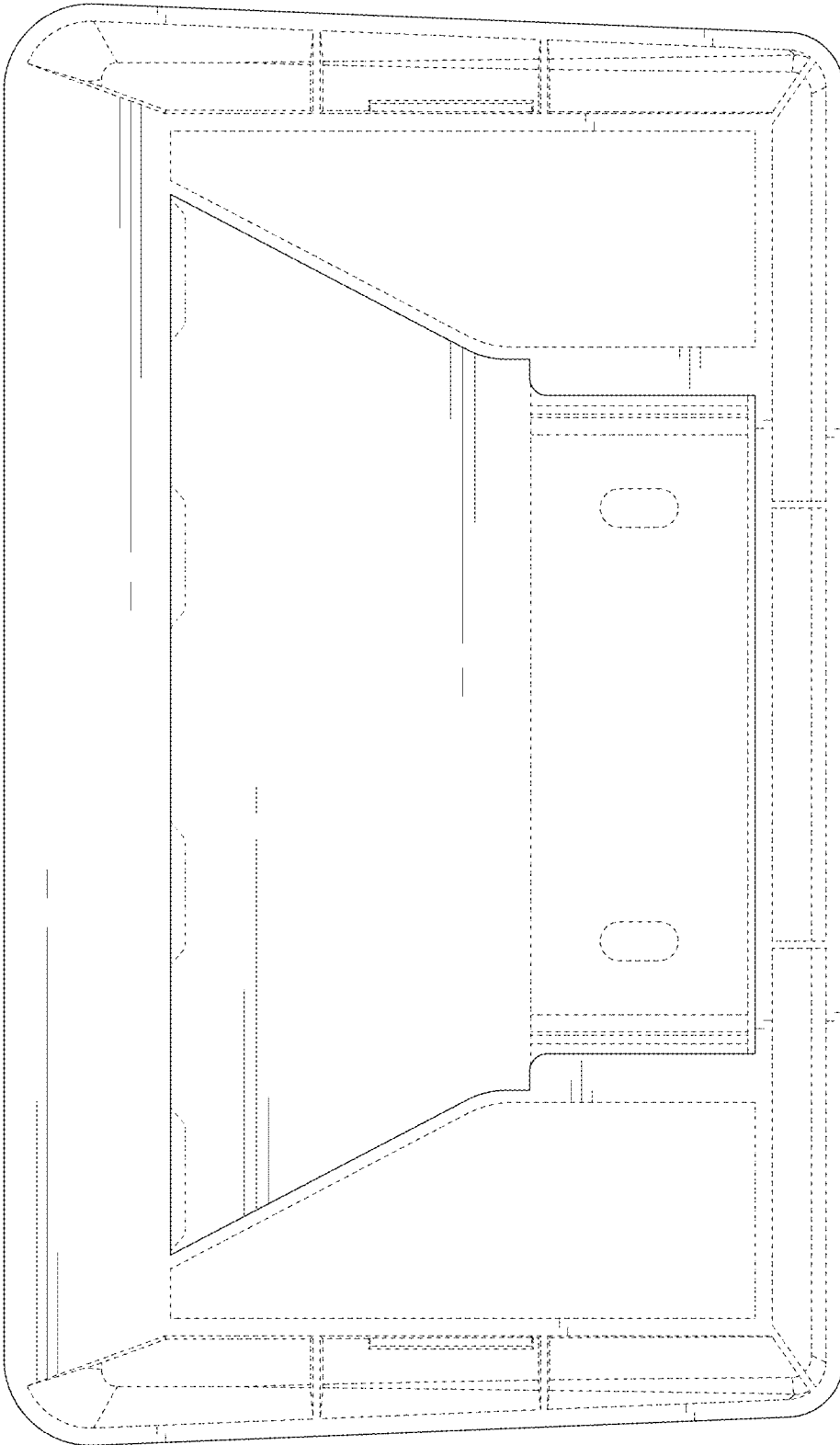


FIG.24