



- (51) **International Patent Classification:**  
*H02M 5/45* (2006.01)     *H02M 7/49* (2007.01)
- (21) **International Application Number:**  
PCT/EP20 12/060 137
- (22) **International Filing Date:**  
30 May 2012 (30.05.2012)
- (25) **Filing Language:** English
- (26) **Publication Language:** English
- (30) **Priority Data:**  
111705 14.1     20 June 2011 (20.06.2011)     EP
- (71) **Applicant (for all designated States except US):**  
**SIEMENS AKTIENGESELLSCHAFT** [DE/DE]; Wiltelsbacherplatz 2, 80333 Munchen (DE).
- (72) **Inventor; and**
- (75) **Inventor/Applicant (for US only):** HAUGAN, Espen [NO/NO]; Strinvdvegen 73, N-7052 Trondheim (NO).
- (74) **Common Representative:** SIEMENS AKTIENGESELLSCHAFT; Postfach 22 16 34, 80506 Munchen (DE).
- (81) **Designated States (unless otherwise indicated, for every kind of national protection available):** AE, AG, AL, AM, AO, AT, AU, AZ, BA, BB, BG, BH, BR, BW, BY, BZ,

CA, CH, CL, CN, CO, CR, CU, CZ, DE, DK, DM, DO, DZ, EC, EE, EG, ES, FI, GB, GD, GE, GH, GM, GT, HN, HR, HU, ID, IL, IN, IS, JP, KE, KG, KM, KN, KP, KR, KZ, LA, LC, LK, LR, LS, LT, LU, LY, MA, MD, ME, MG, MK, MN, MW, MX, MY, MZ, NA, NG, NI, NO, NZ, OM, PE, PG, PH, PL, PT, QA, RO, RS, RU, RW, SC, SD, SE, SG, SK, SL, SM, ST, SV, SY, TH, TJ, TM, TN, TR, TT, TZ, UA, UG, US, UZ, VC, VN, ZA, ZM, ZW.

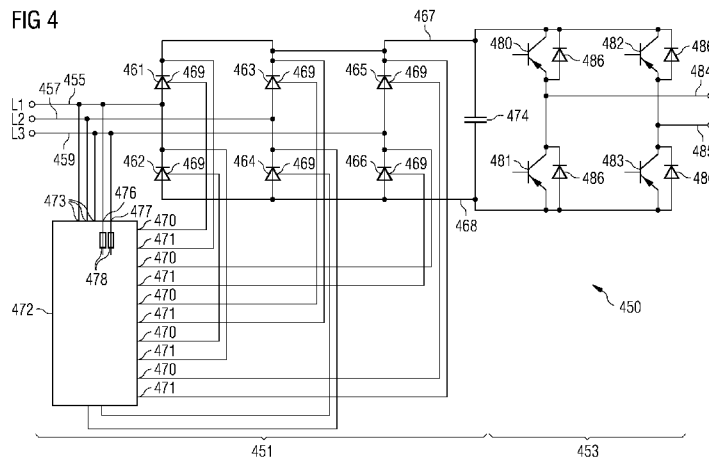
(84) **Designated States (unless otherwise indicated, for every kind of regional protection available):** ARIPO (BW, GH, GM, KE, LR, LS, MW, MZ, NA, RW, SD, SL, SZ, TZ, UG, ZM, ZW), Eurasian (AM, AZ, BY, KG, KZ, RU, TJ, TM), European (AL, AT, BE, BG, CH, CY, CZ, DE, DK, EE, ES, FI, FR, GB, GR, HR, HU, IE, IS, IT, LT, LU, LV, MC, MK, MT, NL, NO, PL, PT, RO, RS, SE, SI, SK, SM, TR), OAPI (BF, BJ, CF, CG, CI, CM, GA, GN, GQ, GW, ML, MR, NE, SN, TD, TG).

**Published:**

- with international search report (Art. 21(3))
- before the expiration of the time limit for amending the claims and to be republished in the event of receipt of amendments (Rule 48.2(h))

(88) **Date of publication of the international search report:**  
6 June 2013

(54) **Title:** RECTIFIER STAGE FOR A SUBSEA POWER GRID



(57) **Abstract:** Rectifier stage for a subsea power grid It is described a rectifier stage (45 1) for converting an input AC voltage to an output voltage, the rectifier stage comprising: a first AC input terminal (455); a second AC input terminal (457), wherein the input AC voltage is applicable between the first input terminal and the second input terminal; a first DC output terminal (467); a second DC output terminal (468); a first thyristor (461) connected between the first DC output terminal (467) and the first AC input terminal (455); a second thyristor (463) connected between the first DC output terminal (467) and the second AC input terminal (457); a gate control circuit (472) adapted and connected to control a first conductance state of the first thyristor (461) and to control a second conductance state of the second thyristor (463) such that the first thyristor and the second thyristor provide a rectified AC voltage between the first DC output terminal (467) and the second DC output terminal (468) as the output voltage. (Figure 4)



INTERNATIONAL SEARCH REPORT

International application No  
PCT/EP2012/060137

A. CLASSIFICATION OF SUBJECT MATTER  
INV. H02M5/45 H02M7/49  
ADD.

According to International Patent Classification (IPC) or to both national classification and IPC

B. FIELDS SEARCHED

Minimum documentation searched (classification system followed by classification symbols)  
H02M

Documentation searched other than minimum documentation to the extent that such documents are included in the fields searched

Electronic data base consulted during the international search (name of data base and, where practicable, search terms used)

EPO-Internal , WPI Data

C. DOCUMENTS CONSIDERED TO BE RELEVANT

Category*	Citation of document, with indication, where appropriate, of the relevant passages	Relevant to claim No.
X	EP 0 224 198 A2 (TOSHIBA KK [JP] ) 3 June 1987 (1987-06-03)	1-6
Y	abstract figures 1,6,8 page 2, line 54 - page 3, line 1 page 4, line 1 - line 24 page 8, line 21 - line 57 -----	7-15
Y	EP 2 270 968 A1 (VACON OYJ [FI] ) 5 January 2011 (2011-01-05) abstract figures 2b, 3 paragraph [0020] - paragraph [0024] ----- -/--	7-15

Further documents are listed in the continuation of Box C.

See patent family annex.

\* Special categories of cited documents :

"A" document defining the general state of the art which is not considered to be of particular relevance  
"E" earlier application or patent but published on or after the international filing date  
"L" document which may throw doubts on priority claim(s) or which is cited to establish the publication date of another citation or other special reason (as specified)  
"O" document referring to an oral disclosure, use, exhibition or other means  
"P" document published prior to the international filing date but later than the priority date claimed

"T" later document published after the international filing date or priority date and not in conflict with the application but cited to understand the principle or theory underlying the invention

"X" document of particular relevance; the claimed invention cannot be considered novel or cannot be considered to involve an inventive step when the document is taken alone

"Y" document of particular relevance; the claimed invention cannot be considered to involve an inventive step when the document is combined with one or more other such documents, such combination being obvious to a person skilled in the art

"&" document member of the same patent family

Date of the actual completion of the international search

10 April 2013

Date of mailing of the international search report

18/04/2013

Name and mailing address of the ISA/

European Patent Office, P.B. 5818 Patentlaan 2  
NL - 2280 HV Rijswijk  
Tel. (+31-70) 340-2040,  
Fax: (+31-70) 340-3016

Authorized officer

Lorenzo Barreiro, M

## INTERNATIONAL SEARCH REPORT

International application No  
PCT/EP2012/060137

C(Continuation). DOCUMENTS CONSIDERED TO BE RELEVANT		
Category*	Citation of document, with indication, where appropriate, of the relevant passages	Relevant to claim No.
A	EP 0 153 751 A2 (TOSHIBA KK [JP]) 4 September 1985 (1985-09-04) figures 1,3d column 1, line 40 - column 2, line 37 column 10, line 37 - column 11, line 24 -----	7-9
A	US 4 475 150 A (D ATRE JOHN D [US] ET AL) 2 October 1984 (1984-10-02) abstract figure 1 column 4, line 48 - column 5, line 39 -----	1-9

# INTERNATIONAL SEARCH REPORT

Information on patent family members

International application No <b>PCT/EP2012/060137</b>
--

Patent document cited in search report	Publication date	Patent family member(s)	Publication date
EP 0224198	A2	03-06-1987	DE 3682033 D EP 0224198 A2 US 4729082 A
-----			
EP 2270968	A1	05-01-2011	CN 101938216 A EP 2270968 A1 FI 20095736 A US 2010327793 A1
-----			
EP 0153751	A2	04-09-1985	CA 1224245 A1 DE 3577376 D EP 0153751 A2 US 4901001 A
-----			
US 4475150	A	02-10-1984	CA 1194929 A1 JP S58224575 A US 4475150 A
-----			