

(19)
(12)

(KR)
(A)

(51) 。 Int. Cl.7
G02F 1/13357

(11)
(43)

2003-0058513
2003 07 07

(21) 10-2001-0088969
(22) 2001 12 31

(71) 136-1

(72) 5 503 403

(74)
:

(54)

(lamp holder) (lamp holder) (back light) (lamp) (wire) (soldering)

3

1

2

3

200. 201.

202. 204.

208. 212.

220. 222.

230.

(back light)

가

가 . ,

가

1

(101)

1

(100)

(102) , (KOV)(104)

(100)

(102)

(KOV)(104)

(104)

(108)가

(102)

(112)(wire)

(108)가

(soldering)

(101)

(112)

(130)

(101)

(112)

(112)

가

가

(130)

(130)

(130)

가

2

01)

(122)

(120)

(121)가

2

(1

3

(202) , (KOV)(204) , (201) 3 , (200) ,

(208)가 (200) (202) (KOV)(204) , (204)

(202) (112) (208)

(220) (201) (212) (230) (230)

(201) (112) 가 (201) (212) ,

222) (230) (201) (212) , (

(230) (201) (222)

(201) (222) (220) 가

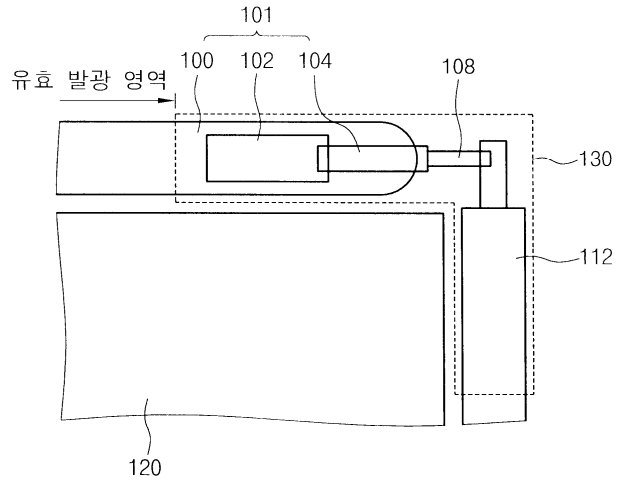
(57)

1.

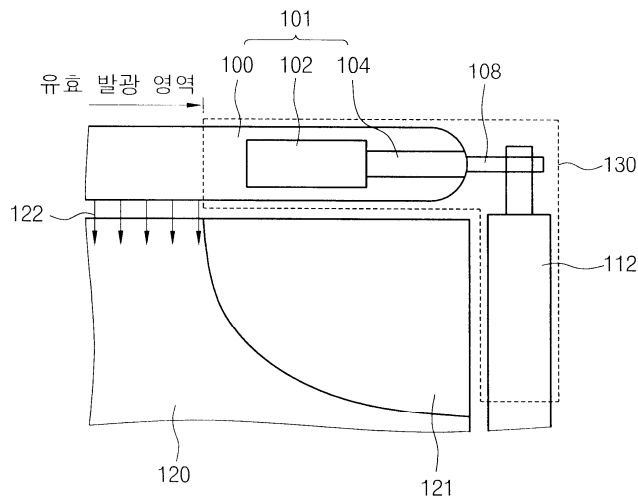
2.

1

1



2



3

