



US00D730839S

(12) **United States Design Patent**
Sasano

(10) **Patent No.:** **US D730,839 S**

(45) **Date of Patent:** **** Jun. 2, 2015**

(54) **ELECTRIC CONNECTOR**

(71) Applicant: **Omron Corporation**, Shimogyo-ku,
Kyoto (JP)

(72) Inventor: **Naoya Sasano**, Tokyo (JP)

(73) Assignee: **OMRON CORPORATION**, Kyoto (JP)

(**) Term: **14 Years**

(21) Appl. No.: **29/454,066**

(22) Filed: **May 6, 2013**

(30) **Foreign Application Priority Data**

Nov. 13, 2012 (JP) 2012-27719
Nov. 13, 2012 (JP) 2012-27720
Nov. 13, 2012 (JP) 2012-27721

(51) **LOC (10) Cl.** **13-03**

(52) **U.S. Cl.**
USPC **D13/147**

(58) **Field of Classification Search**
USPC D13/147, 154, 184, 199
See application file for complete search history.

(56) **References Cited**

U.S. PATENT DOCUMENTS

D162,795 S * 4/1951 De Tar D13/146
4,801,277 A * 1/1989 Seilhan 439/680
4,960,388 A * 10/1990 Frantz et al. 439/404
D555,597 S * 11/2007 Phung et al. D13/154
D580,371 S * 11/2008 Farahani D13/154

D580,876 S * 11/2008 Farahani D13/154
D580,877 S * 11/2008 Farahani D13/154
D599,741 S * 9/2009 Meldert et al. D13/147
2014/0141634 A1 * 5/2014 Sasano et al. 439/108

* cited by examiner

Primary Examiner — Daniel Bui

(74) *Attorney, Agent, or Firm* — Harness, Dickey & Pierce,
P.L.C.

(57) **CLAIM**

The ornamental design for an electric connector, as shown
and described.

DESCRIPTION

FIG. 1 is a top, front and left side perspective view of an
electric connector showing my new design;

FIG. 2 is a top, rear and left side perspective view thereof;

FIG. 3 is a bottom, front and right side perspective view
thereof;

FIG. 4 is a front elevational view thereof;

FIG. 5 is a rear elevational view thereof;

FIG. 6 is a left side elevational view thereof;

FIG. 7 is a right side elevational view thereof;

FIG. 8 is a top plan view thereof;

FIG. 9 is a bottom plan view thereof;

FIG. 10 is a left side elevational view thereof, showing
unclaimed elements between 2 claimed surfaces taken away
to reveal the claimed body.

FIG. 11 is a cross sectional view taken along the line of XI-XI
of FIG. 10; and,

FIG. 12 is a cross sectional view taken along the line of
XII-XII of FIG. 10.

The broken lines depict environmental subject matter only
and form no part of the claimed design.

1 Claim, 5 Drawing Sheets

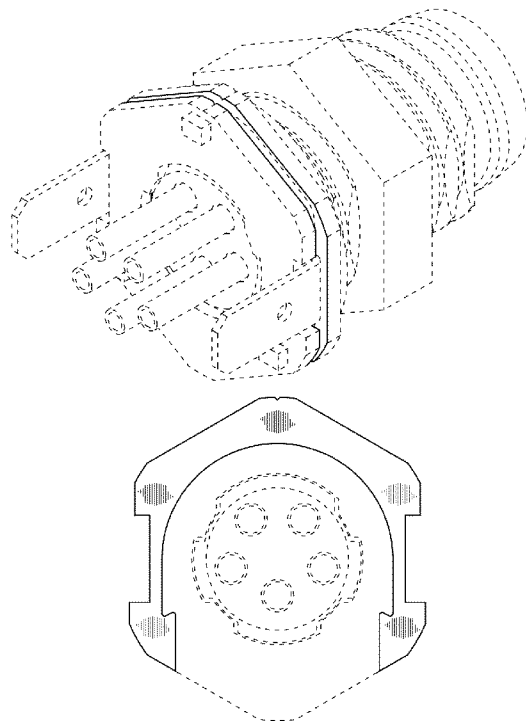


Fig. 1

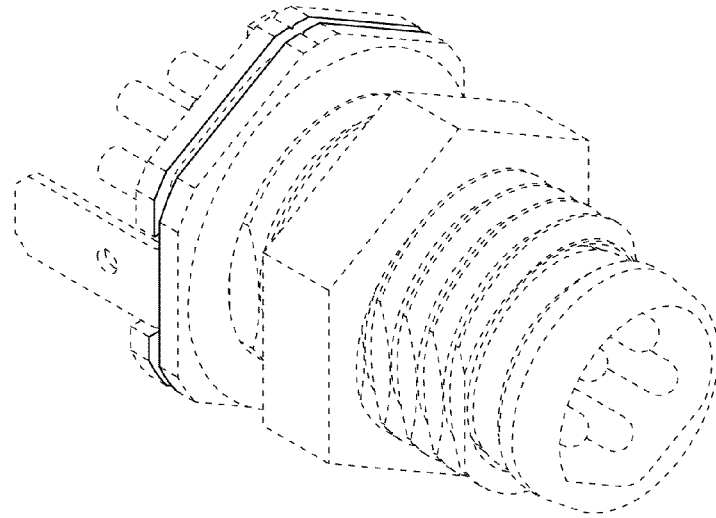


Fig. 2

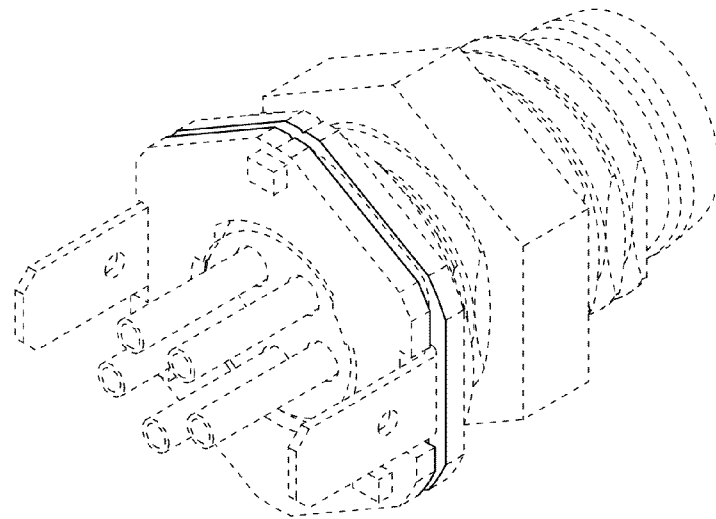


Fig. 3

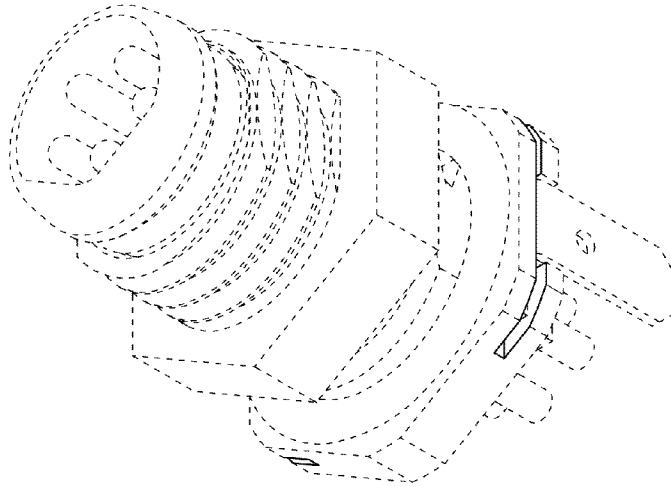


Fig. 4

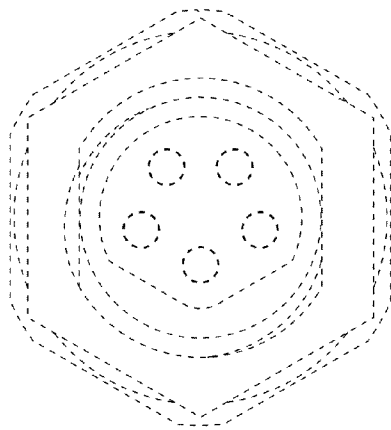


Fig. 5

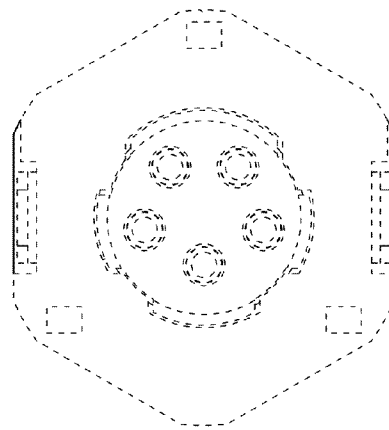


Fig. 6

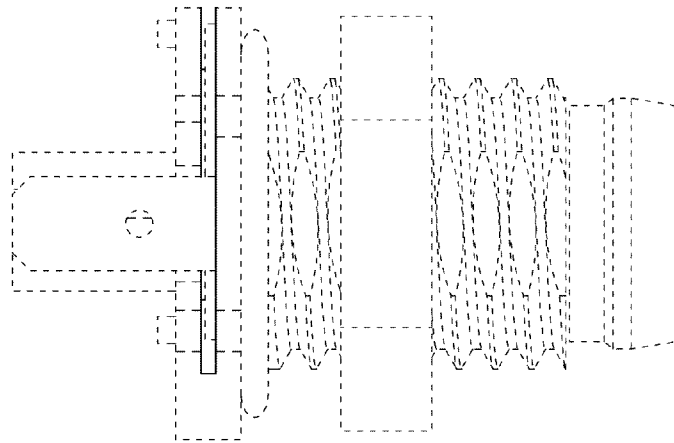


Fig. 7

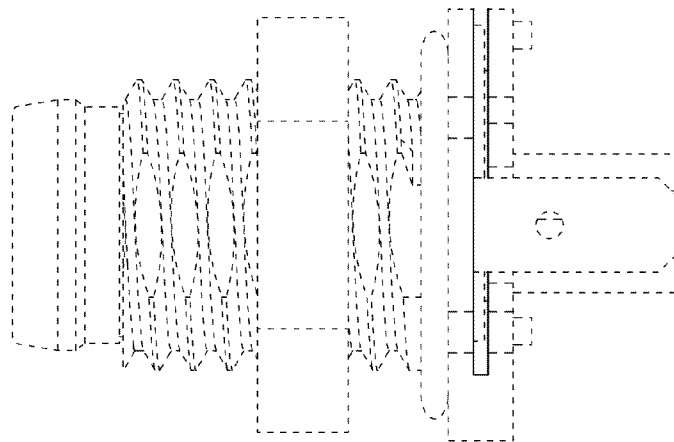


Fig. 8

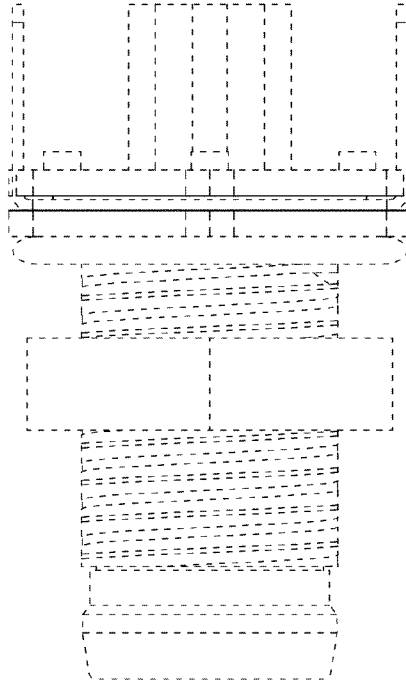


Fig. 9

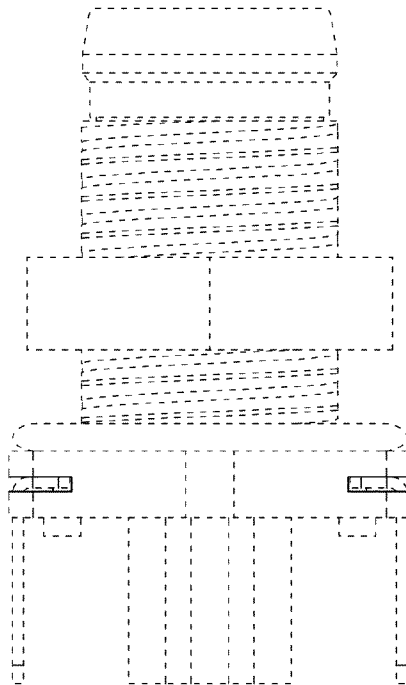


Fig. 10

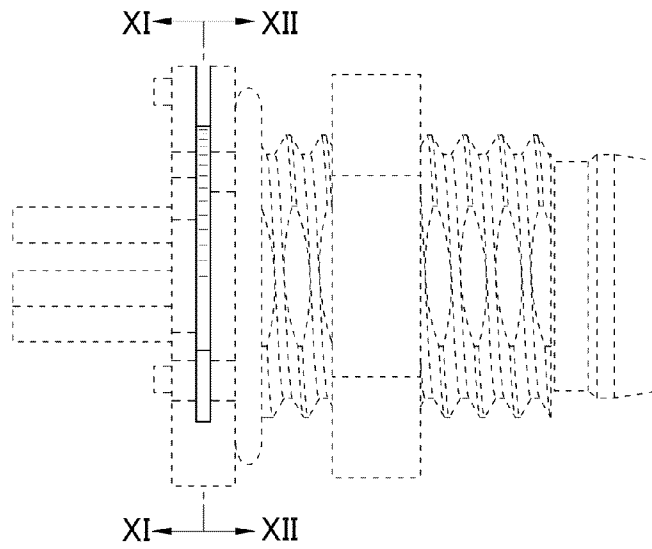


Fig. 11

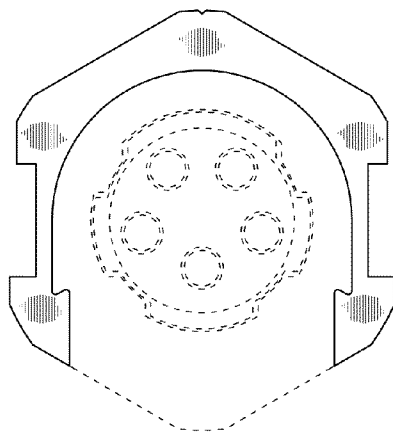


Fig. 12

