



US00D778205S

(12) **United States Design Patent**  
**Roth**

(10) **Patent No.:** **US D778,205 S**

(45) **Date of Patent:** **\*\* Feb. 7, 2017**

(54) **STAND-ALONE BUTTON ASSEMBLY**

(71) Applicant: **Gentex Corporation**, Zeeland, MI (US)

(72) Inventor: **Mark R. Roth**, Grand Rapids, MI (US)

(73) Assignee: **GENTEX CORPORATION**, Zeeland, MI (US)

(\*\*) Term: **15 Years**

(21) Appl. No.: **29/544,184**

(22) Filed: **Oct. 30, 2015**

(51) **LOC (10) Cl.** ..... **02-07**

(52) **U.S. Cl.**  
USPC ..... **D11/201**

(58) **Field of Classification Search**

USPC ..... D11/1-2, 200-201, 206-210, 214-218,  
D11/222, 226, 228; 24/163 R, 169-171,  
24/173, 177-179, 191, 194-195, 197,  
24/200, 614-616, 625, 198, 578.11,  
24/578.1, 163 K, 114, 378.1, 379.1;  
D16/200, 219, 245, 136; 224/908;  
294/139; D8/394; D12/418  
CPC ..... A44B 11/26; A44B 11/25; A44B 11/06;  
G03B 17/02-17/04; G03B 17/14; G03B  
17/56; G03B 17/561-17/568; G03B  
21/20-21/2066; G03B 15/041-15/0436;  
G02B 7/02-7/04; G02B 7/14; H04N  
5/2251-5/2554; F16M 11/02; F16M  
11/20; F16M 11/40; B60R 7/08

See application file for complete search history.

(56) **References Cited**

**U.S. PATENT DOCUMENTS**

D60,292 S \* 1/1922 Lindquist ..... D11/226  
D291,788 S \* 9/1987 Caulkins ..... D11/213

D619,927 S \* 7/2010 Guyton ..... D11/212  
D736,115 S \* 8/2015 Welch ..... D11/216  
D756,891 S \* 5/2016 Roth ..... D12/418

\* cited by examiner

*Primary Examiner* — Ralf Seifert

(74) *Attorney, Agent, or Firm* — Price Heneveld LLP;  
Bradley D. Johnson

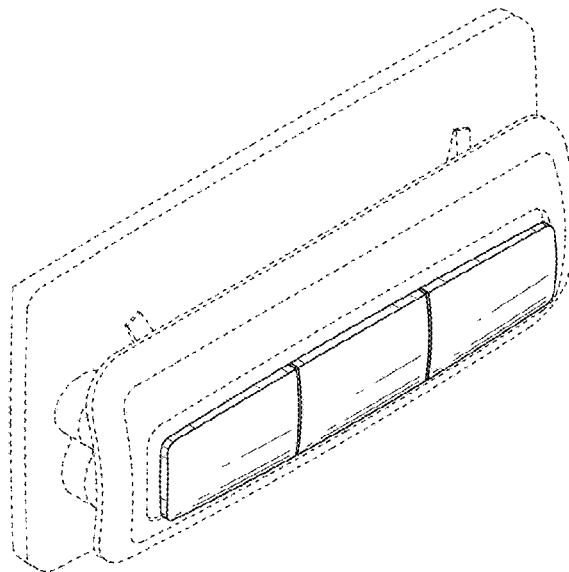
(57) **CLAIM**

I claim the ornamental design for a stand-alone button assembly, as shown and described.

**DESCRIPTION**

FIG. 1 is a front perspective view of a stand-alone button assembly of the present disclosure;  
FIG. 2 is a front elevational view of the stand-alone button assembly of FIG. 1;  
FIG. 3 is a rear elevational view of the stand-alone button assembly of FIG. 1;  
FIG. 4 is a top plan view of the stand-alone button assembly of FIG. 1;  
FIG. 5 is a bottom plan view of the stand-alone button assembly of FIG. 1;  
FIG. 6 is a first side elevational view of the stand-alone button assembly of FIG. 1; and,  
FIG. 7 is a second side elevational view of the stand-alone button assembly of FIG. 1.  
Broken lines are environmental only and form no part of the claimed design.

**1 Claim, 2 Drawing Sheets**



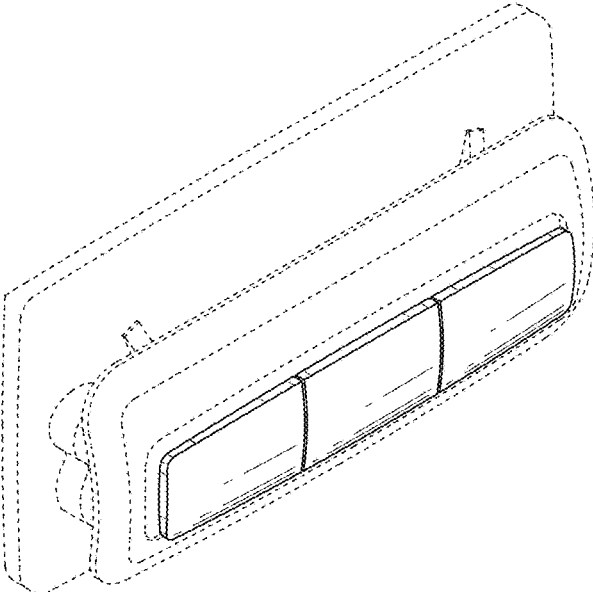


FIG. 1

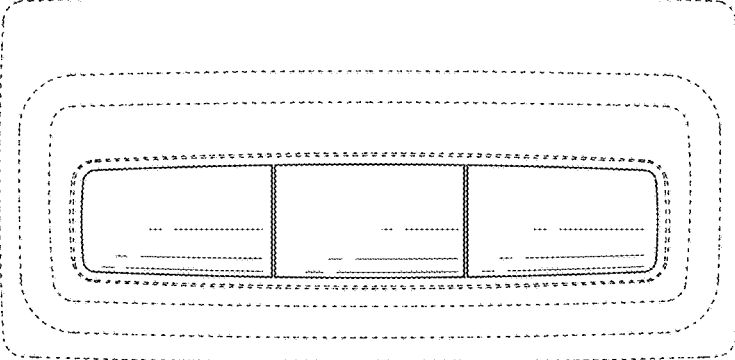


FIG. 2

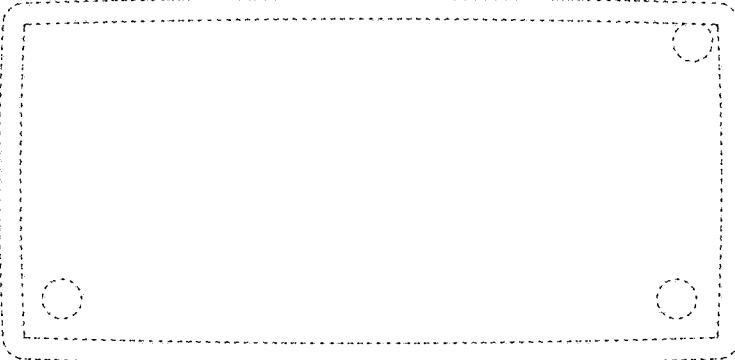


FIG. 3

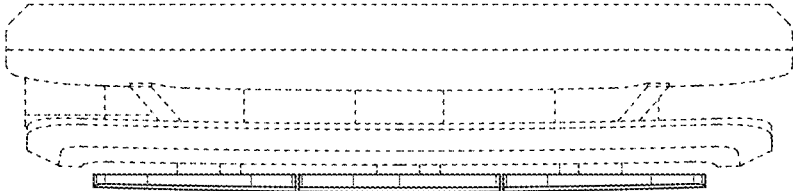


FIG. 4

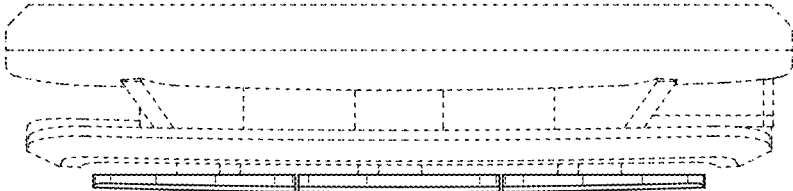


FIG. 5

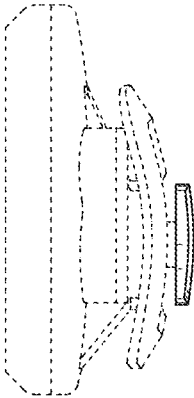


FIG. 6

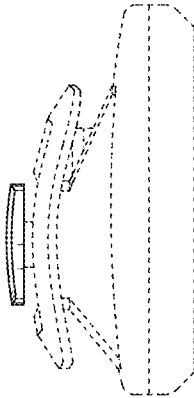


FIG. 7