

United States Patent [19]

Meyers

[11] Patent Number: Des. 308,683

[45] Date of Patent: ** Jun. 19, 1990

[54] EARTH WORKING PICK FOR GRADERS OR THE LIKE

[76] Inventor: Thomas A. Meyers, P.O. Box 988, Mackay, Queensland, 4740, Australia

[**] Term: 14 Years

[21] Appl. No.: 97,464

[22] Filed: Sep. 15, 1987

[52] U.S. Cl. D15/29; D15/28

[58] Field of Search D15/28, 29; 37/108 R, 37/117.5, 141 T, 142 R; 172/777

[56] References Cited

U.S. PATENT DOCUMENTS

D. 234,436 3/1975 Holland D15/29
1,890,997 5/1932 Lane 37/142 R

2,145,663 1/1939 Reynolds 37/141 T

Primary Examiner—B. J. Bullock

Assistant Examiner—Sandra Morris

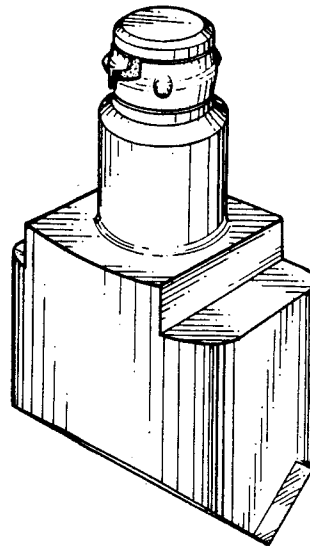
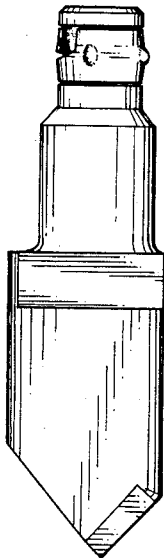
Attorney, Agent, or Firm—Sughrue, Mion, Zinn, Macpeak & Seas

[57] CLAIM

The ornamental design for an earth working pick for graders or the like, as shown.

DESCRIPTION

FIG. 1 is a rear elevational view of an earth working pick for graders or the like, showing my new design; FIG. 2 is a side elevational view thereof; FIG. 3 is a front elevational view thereof; FIG. 4 is a front perspective view thereof; and FIG. 5 is a rear perspective view thereof.



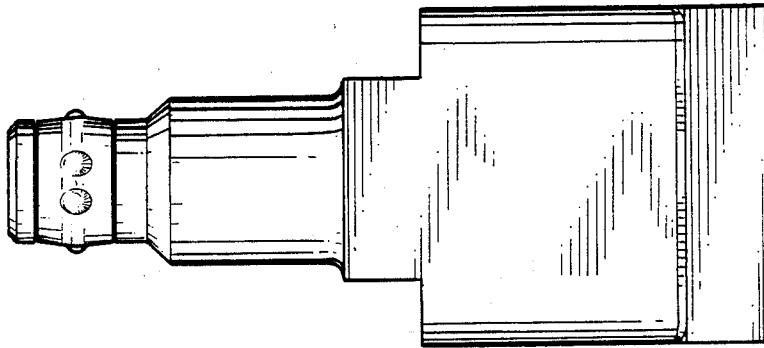


FIG. 3

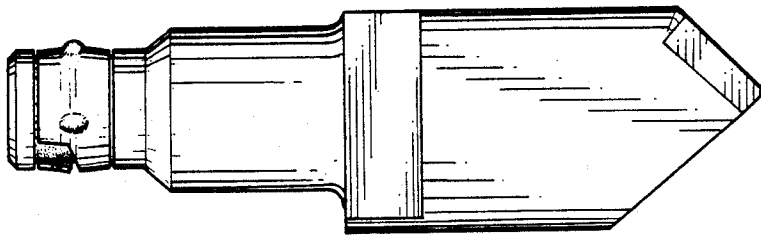


FIG. 2

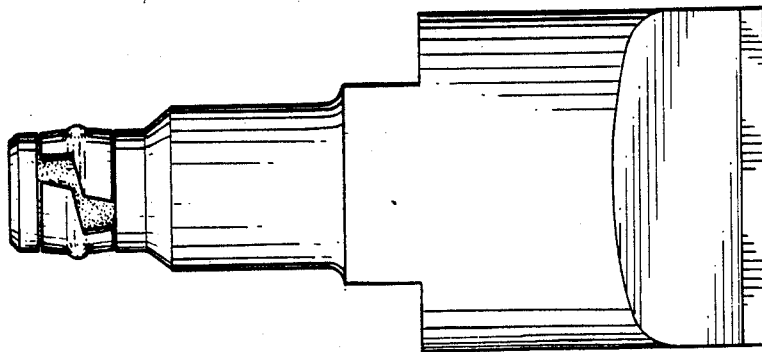


FIG. 1

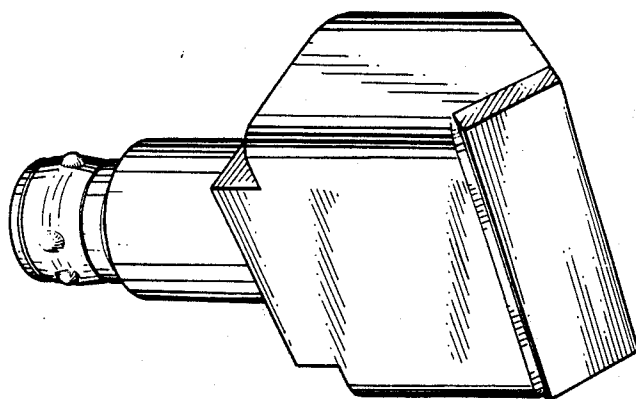


FIG. 5

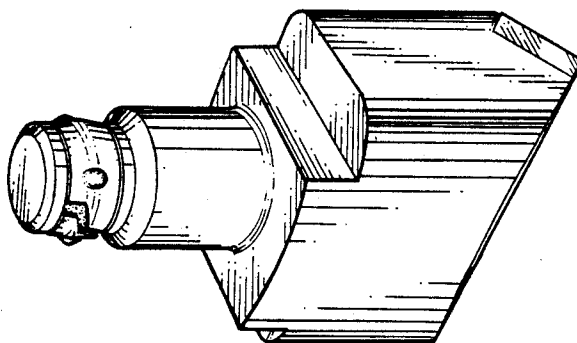


FIG. 4