

[54] COMBINED TOOTHBRUSH HOLDER AND PROTECTOR

[76] Inventors: Larry G. Roope, 413 Clyde St. N.E.; Earl W. Bobbitt, 1728 20th St. N.E., both of Roanoke, Va. 24012

[\*\*] Term: 14 Years

[21] Appl. No.: 272,873

[22] Filed: Nov. 18, 1988

[52] U.S. Cl. .... D6/528

[58] Field of Search ..... D6/524, 528, 534; 211/118-119, 112-113, 60.1, 65-66, 74-75, 86-87; 248/110; 221/45

[56] References Cited

U.S. PATENT DOCUMENTS

- D. 60,325 2/1922 Drew ..... D6/526
- D. 201,540 7/1965 DiTirro ..... D6/528
- D. 241,200 8/1976 Halstead et al. .... D6/534

- D. 283,282 4/1986 Haske ..... D6/527 X
- D. 305,590 1/1990 Vance ..... D6/534
- D. 306,811 3/1990 DeLeon ..... D6/531
- 2,111,181 3/1938 Findley ..... 221/45 X
- 3,867,096 2/1975 Doucette ..... D6/531 X

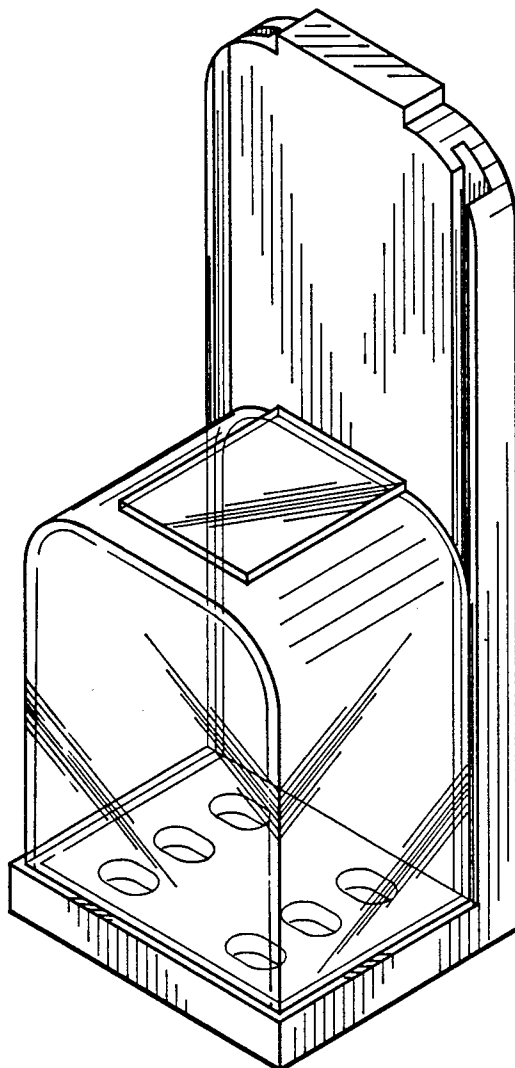
Primary Examiner—Wallace R. Burke  
Assistant Examiner—Brian N. Vinson  
Attorney, Agent, or Firm—Jerry T. Kearns

[57] CLAIM

The ornamental design for a combined toothbrush holder and protector, as shown and described.

DESCRIPTION

FIG. 1 is a front elevational view of a combined toothbrush holder and protector showing our new design; FIG. 2 is a rear elevational view thereof; FIG. 3 is a left side elevational view thereof; FIG. 4 is a right side elevational view thereof; FIG. 5 is a top plan view thereof; FIG. 6 is a bottom plan view thereof; and FIG. 7 is a perspective view thereof.



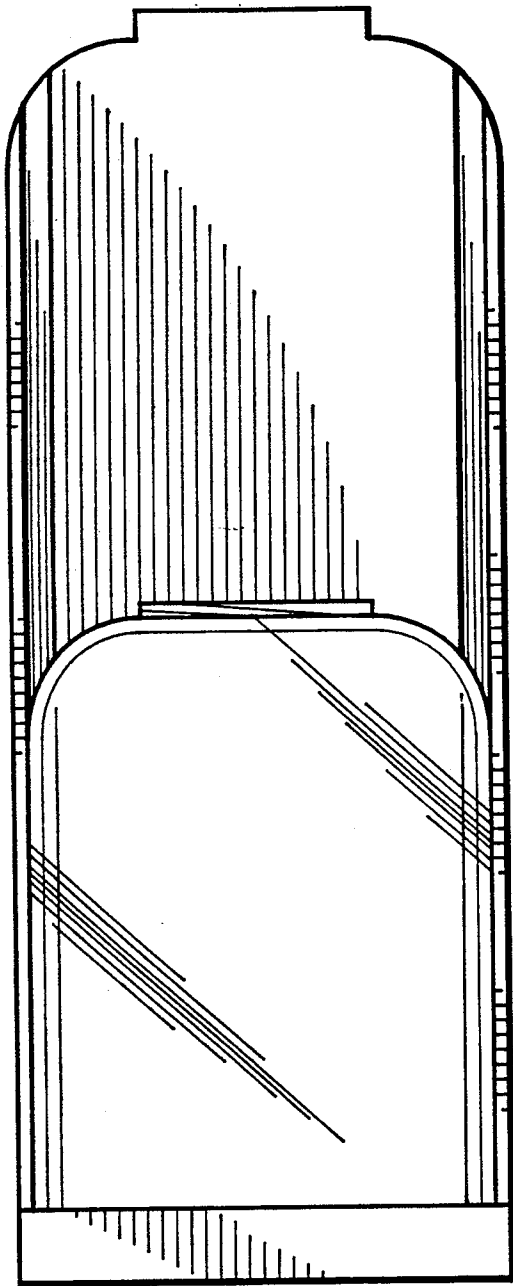


Fig. 1

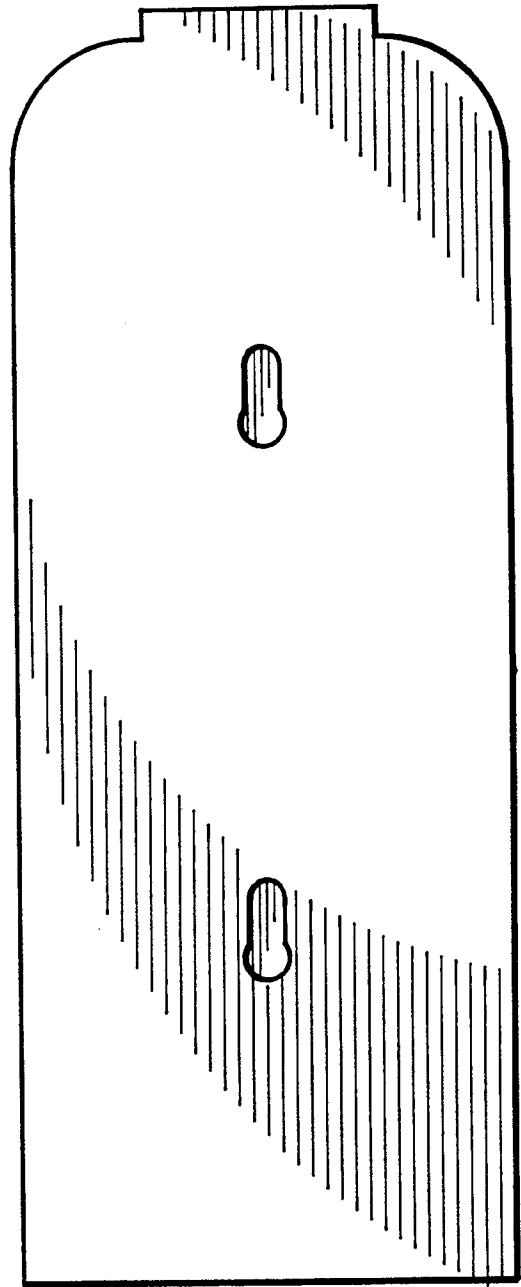


Fig. 2

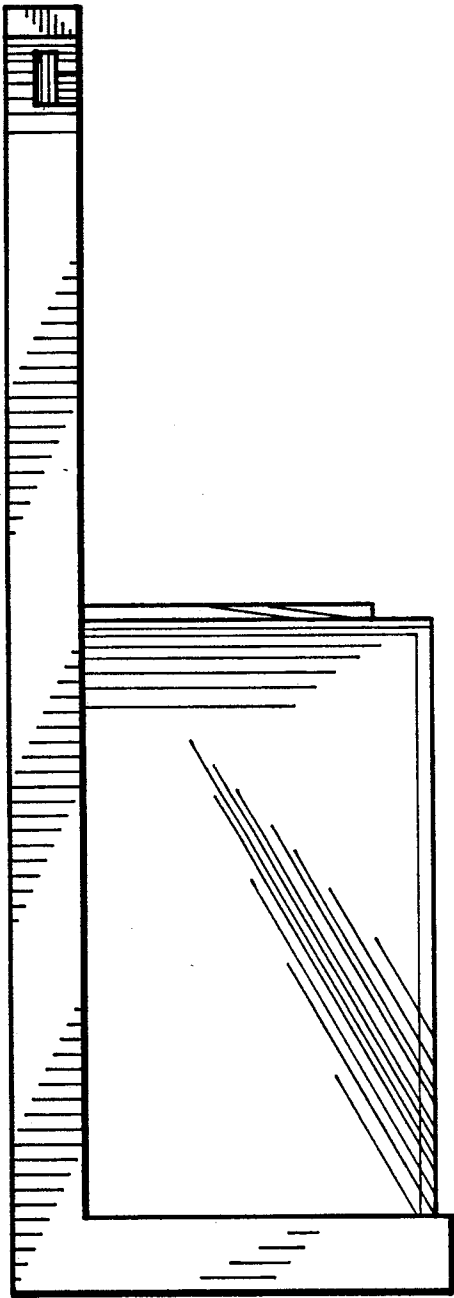


Fig. 3

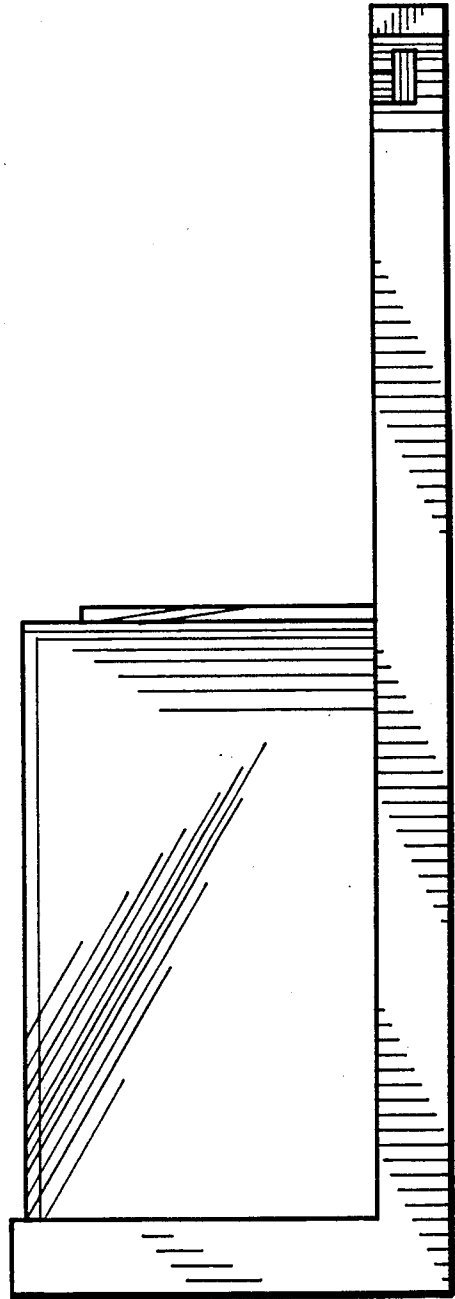


Fig. 4

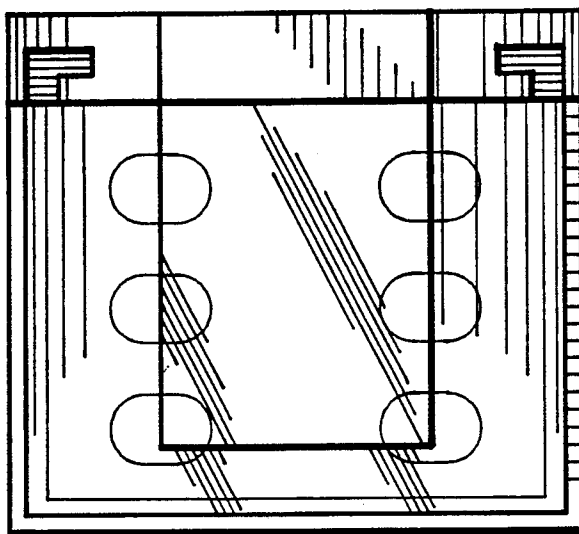


Fig. 5

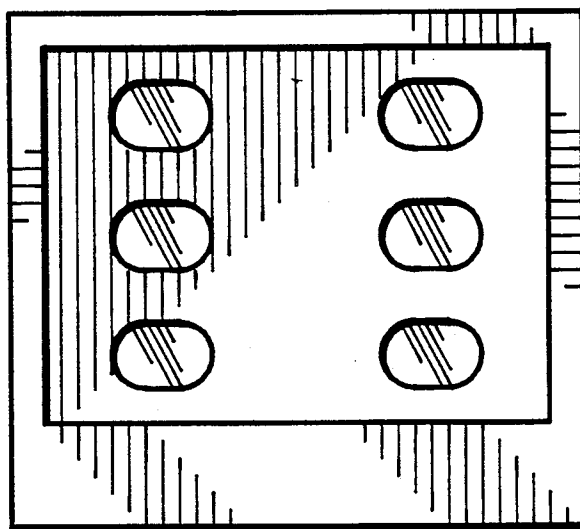


Fig. 6

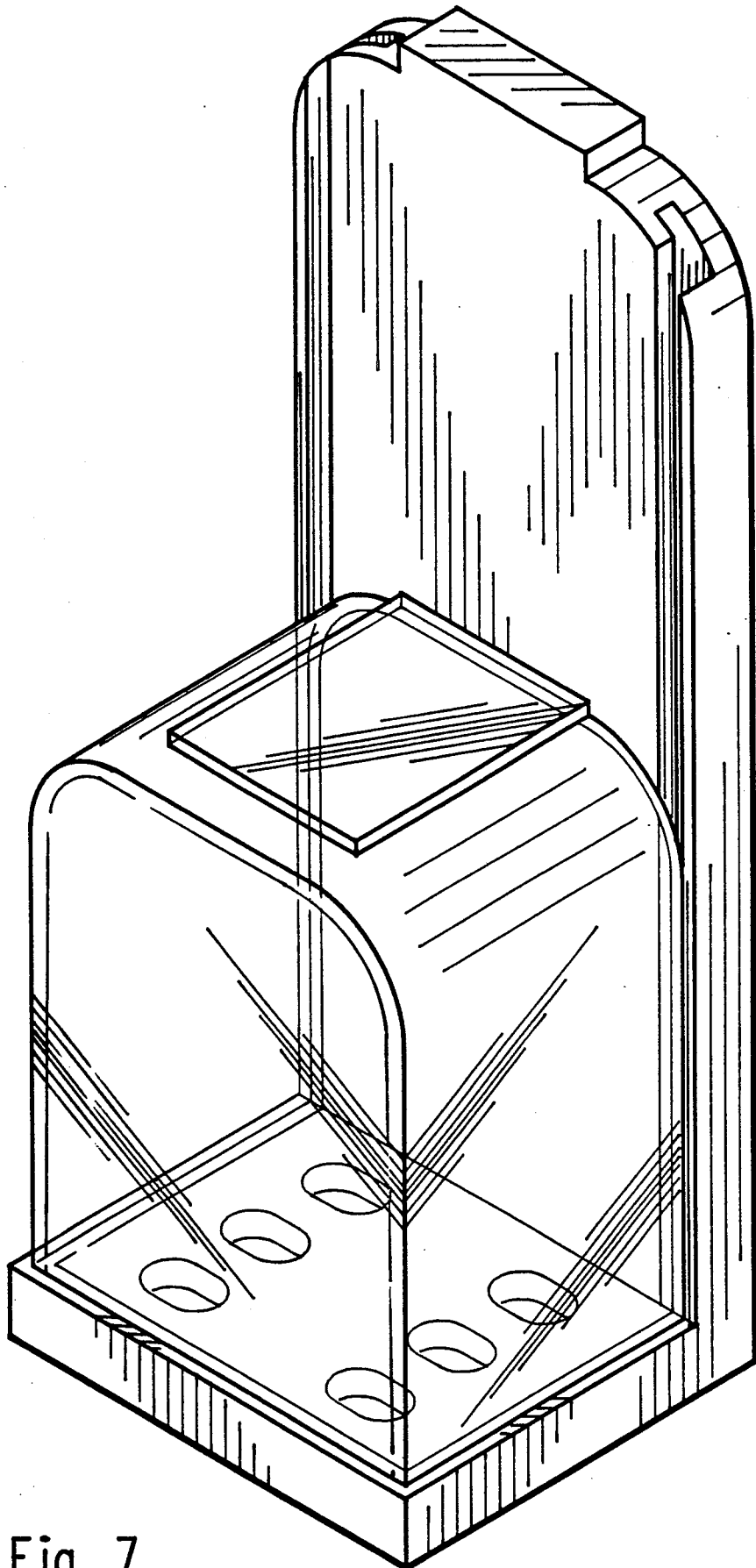


Fig. 7