



US00D615286S

(12) **United States Design Patent**  
**Grote**

(10) **Patent No.:** **US D615,286 S**

(45) **Date of Patent:** **\*\* May 11, 2010**

(54) **PORTION OF A SHOE SOLE**  
(75) Inventor: **Paul S. Grote**, Cincinnati, OH (US)  
(73) Assignee: **New Balance Athletic Shoe, Inc.**,  
Boston, MA (US)

D495,480 S 9/2004 Laberge  
D495,859 S 9/2004 Kubo et al.  
D499,247 S \* 12/2004 Wahoske et al. .... D2/972  
D499,541 S \* 12/2004 Dolan ..... D2/977  
D500,585 S \* 1/2005 Wahoske et al. .... D2/972

(\*\*) Term: **14 Years**

(21) Appl. No.: **29/312,462**

(22) Filed: **Oct. 22, 2008**

(51) **LOC (9) Cl.** ..... **02-99**

(52) **U.S. Cl.** ..... **D2/947; D2/946; D2/964**

(58) **Field of Classification Search** ..... D2/896,  
D2/902, 906-908, 943, 944, 964, 977, 946,  
D2/947; 36/45-49, 50.1, 77 M, 77 R, 83,  
36/88, 113, 114, 126-131, 34 R-34 A

See application file for complete search history.

(56) **References Cited**

**U.S. PATENT DOCUMENTS**

2,953,861 A	9/1960	Horten	
4,536,974 A	8/1985	Cohen	
4,611,412 A	9/1986	Cohen	
4,638,577 A	1/1987	Riggs	
4,753,021 A	6/1988	Cohen	
4,754,559 A	7/1988	Cohen	
5,224,277 A	7/1993	Sang Do	
5,279,051 A	1/1994	Whatley	
5,337,492 A	8/1994	Anderie et al.	
5,461,800 A	10/1995	Luthi et al.	
D378,012 S *	2/1997	Le	..... D2/964
5,625,964 A	5/1997	Lyden et al.	
5,713,140 A	2/1998	Baggenstoss	
5,784,808 A	7/1998	Hockerson	
5,797,199 A *	8/1998	Miller et al.	..... 36/28
5,822,886 A	10/1998	Luthi et al.	
5,839,208 A	11/1998	Huang	
6,115,943 A	9/2000	Gyr	
D487,840 S	3/2004	Hillyer	
6,769,202 B1	8/2004	Luthi et al.	

(Continued)

**OTHER PUBLICATIONS**

Authentic\_Nike\_Powerseller, A Comparison Between Nike Air, Nike Shox and Nike Impax, eBay Guides, downloaded Oct. 25, 2007, pp. 6-7, United States ([http://reviews.ebay.com/A-Comparison-Between-Nike-Air-Nike-Shox-and-Nike-Impax\\_W0QQuigidZ10000000004244893](http://reviews.ebay.com/A-Comparison-Between-Nike-Air-Nike-Shox-and-Nike-Impax_W0QQuigidZ10000000004244893)).

(Continued)

*Primary Examiner*—Dominic Simone  
(74) *Attorney, Agent, or Firm*—Goodwin Procter LLP

(57) **CLAIM**

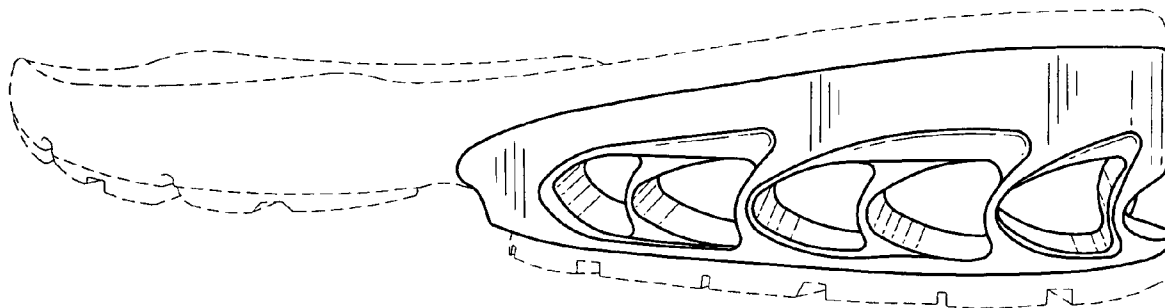
The ornamental design for a portion of a shoe sole, as shown and described.

**DESCRIPTION**

FIG. 1 is a front, right side and top perspective view of a portion of a shoe sole showing the new design;  
FIG. 2 is a rear, right side perspective view thereof;  
FIG. 3 is a right side elevational view thereof;  
FIG. 4 is a left side elevational view thereof; and,  
FIG. 5 is a rear elevational view thereof.

The broken line showing of the sole in the Figures is for illustrative purposes only and form no part of the claimed design.

**1 Claim, 5 Drawing Sheets**



# US D615,286 S

Page 2

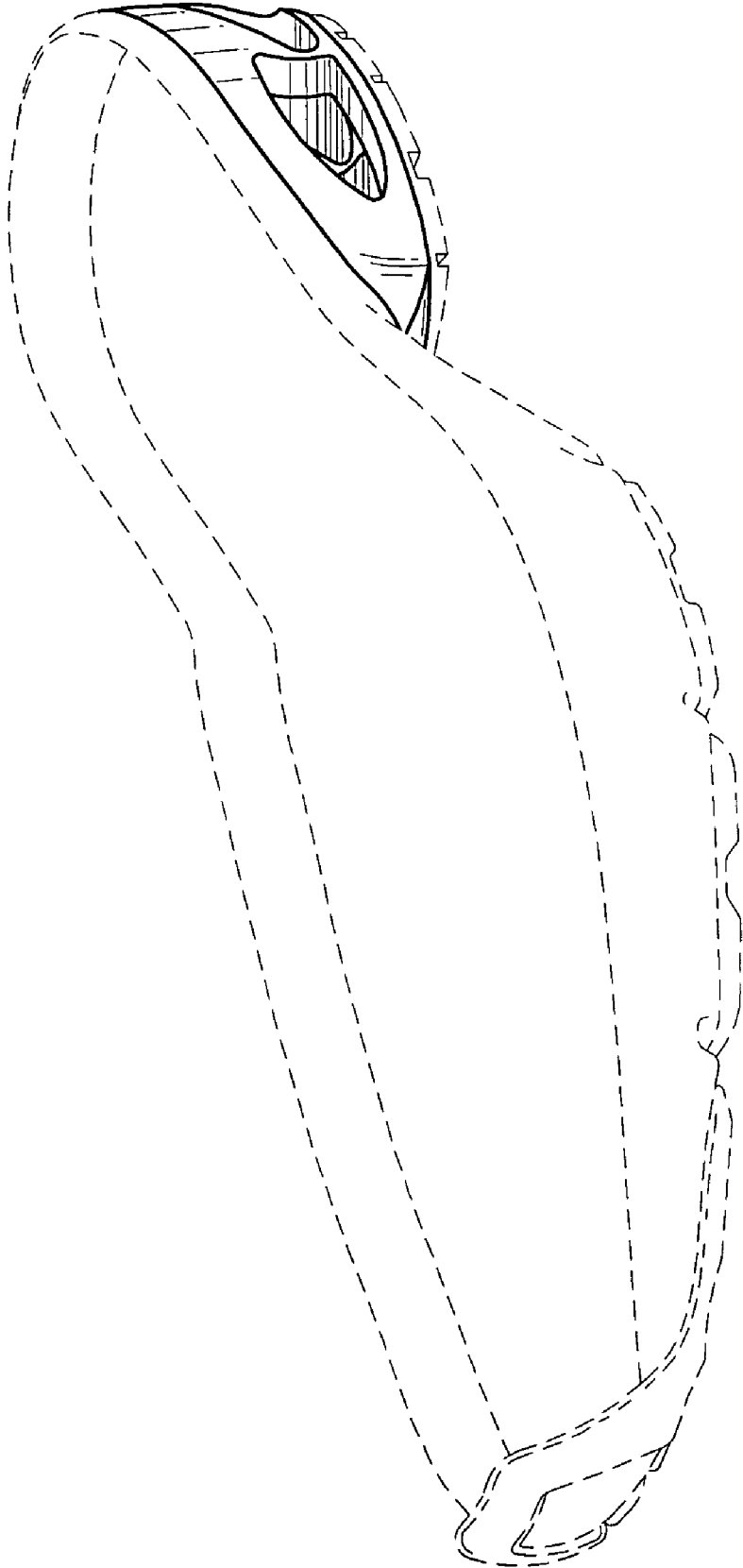
## U.S. PATENT DOCUMENTS

D503,029 S	3/2005	Sonnergren	
D504,205 S	4/2005	Andrews-Kramer	
D508,160 S	8/2005	Sonnergren	
D511,618 S	11/2005	McDowell et al.	
7,017,285 B2 *	3/2006	Lakic .....	36/29
D522,221 S *	6/2006	Shin .....	D2/964
D522,230 S *	6/2006	Young .....	D2/977
D523,232 S *	6/2006	Shaffer .....	D2/977
D523,628 S *	6/2006	Young .....	D2/977
D524,035 S *	7/2006	Greene et al. ....	D2/977
D524,535 S *	7/2006	Cass .....	D2/977
D527,879 S	9/2006	Cessor	
D528,753 S *	9/2006	Dirsa .....	D2/964
D528,754 S *	9/2006	Dirsa .....	D2/964
D529,267 S	10/2006	Portzline	
D532,597 S *	11/2006	Chan .....	D2/977
D532,598 S *	11/2006	Chan .....	D2/977
D540,014 S	4/2007	Turner et al.	
D543,689 S *	6/2007	Chan .....	D2/977
D549,942 S	9/2007	Ho	
D549,943 S	9/2007	Ho	
D549,944 S	9/2007	Ho	
D549,945 S	9/2007	Ho	
D549,946 S	9/2007	Ho	
D553,338 S	10/2007	Holmes	
D553,834 S	10/2007	Nakano	
D554,840 S	11/2007	McClaskie	
D555,348 S *	11/2007	Bettencourt .....	D2/977
D555,891 S *	11/2007	Bettencourt .....	D2/977
D560,060 S *	1/2008	Chan .....	D2/977
D560,061 S *	1/2008	Chan .....	D2/977
D560,062 S *	1/2008	Chan .....	D2/977
D560,063 S *	1/2008	Chan .....	D2/977
D560,903 S	2/2008	Chan	
D561,437 S	2/2008	Evans et al.	
D561,442 S	2/2008	Kayano et al.	
7,334,349 B2	2/2008	Sokolowski et al.	
D571,087 S	6/2008	Dillenbeck et al.	
7,383,647 B2	6/2008	Chan et al.	
D574,130 S	8/2008	Le	
D593,291 S	6/2009	Chen	
D594,195 S	6/2009	Nakano	
2002/0050077 A1	5/2002	Wang et al.	
2009/0013559 A1	1/2009	Chan	

## OTHER PUBLICATIONS

U.S. Appl. No. 29/291,589, filed Sep. 6, 2007, Marya L. Chan.

\* cited by examiner



**FIG. 1**

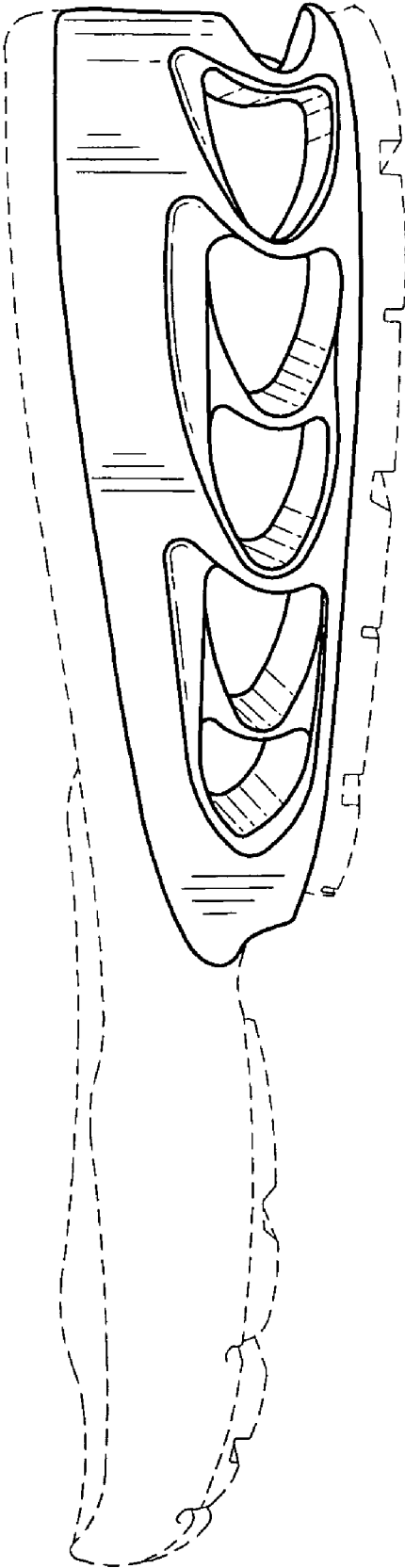


FIG. 2

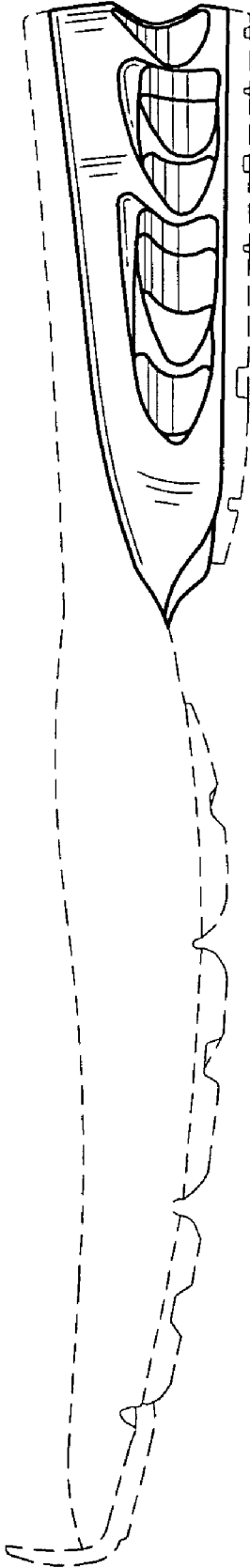


FIG. 3

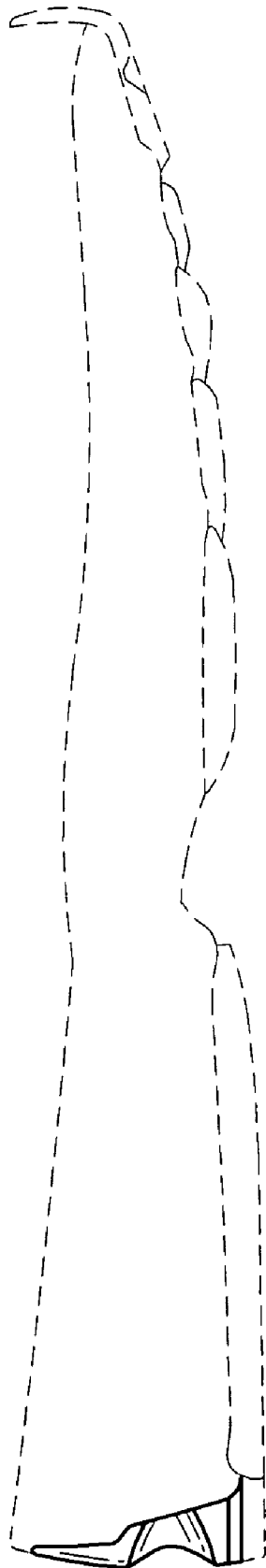
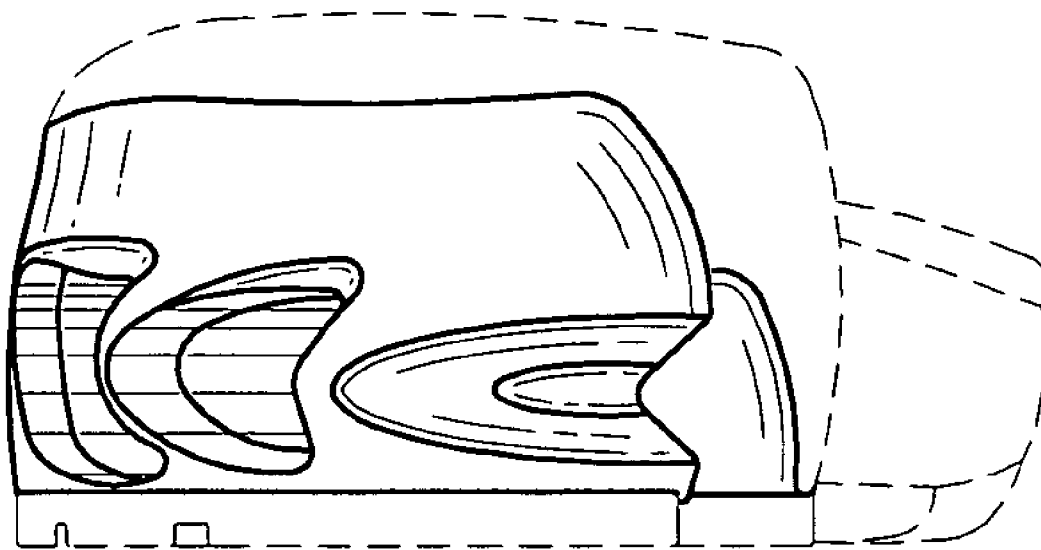


FIG. 4



**FIG. 5**