

# United States Patent [19]

Darby et al.

[11] Patent Number: Des. 303,194

[45] Date of Patent: \*\* Sep. 5, 1989

[54] COMBINED SNACK TRAY, BEVERAGE CUP, AND CUP HOLDER

2,561,022 7/1951 Jones ..... D7/27 X  
2,920,804 1/1960 Minton ..... D7/3 X  
2,948,452 8/1960 Grogan et al. .... D7/70 X

[75] Inventors: Louis F. Darby, Cordova, Tenn.; Daniel Pavan, North Little Rock, Ark.; Howard H. Worrell, Jr., Shreveport, La.

### FOREIGN PATENT DOCUMENTS

1476817 4/1967 France ..... D7/6

[73] Assignee: Creative Plastics & Molding, Inc., Memphis, Tenn.

Primary Examiner—Winifred E. Herrmann  
Attorney, Agent, or Firm—Fleit, Jacobson, Cohn, Price, Holman & Stern

[\*\*] Term: 14 Years

### [57] CLAIM

[21] Appl. No.: 860,431

The ornamental design for a combined snack tray, beverage cup, and cup holder, as shown and described.

[22] Filed: May 7, 1986

### DESCRIPTION

[52] U.S. Cl. .... D7/3; D7/6; D7/27; D7/70

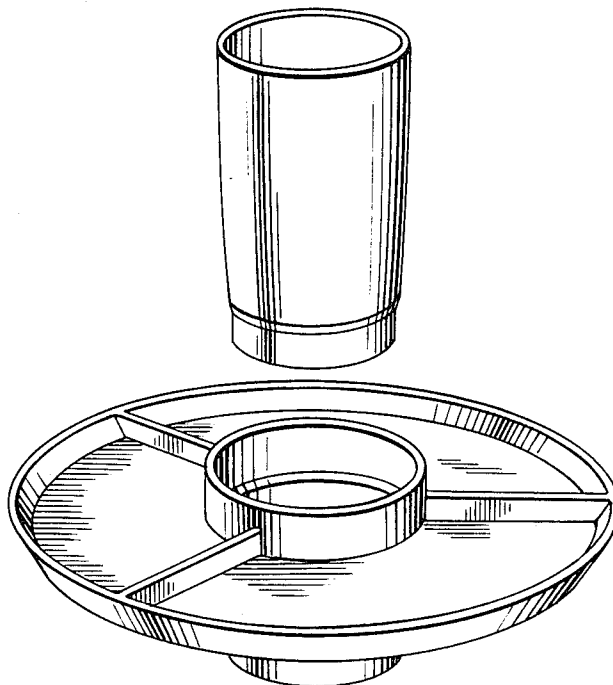
[58] Field of Search ..... D7/6, 15, 38, 37, 3, D7/, 70, 27, 20; D9/341; 347

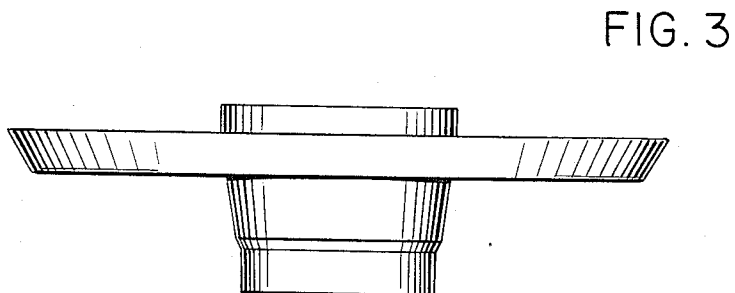
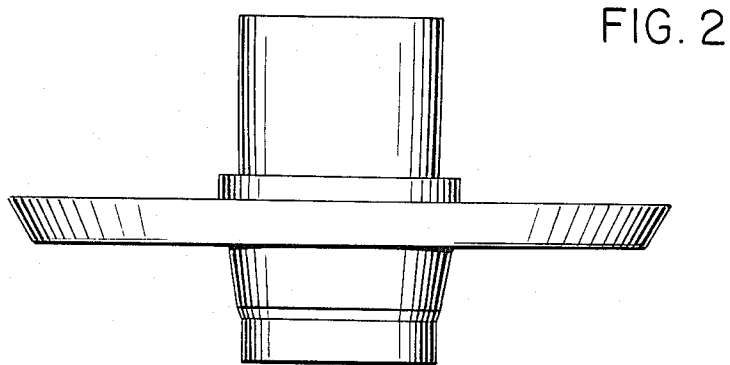
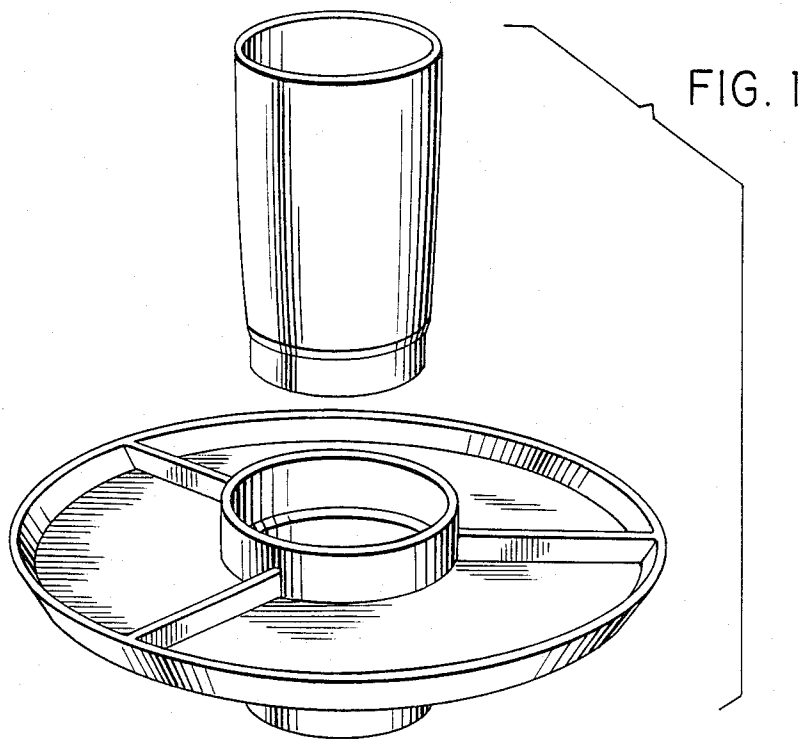
FIG. 1 is an exploded top perspective view of a combined snack tray, beverage cup, and cup holder showing our new design, it being understood that the sides not shown are similar to the side shown; FIG. 2 is a side elevational view thereof; FIG. 3 is another side elevational view thereof, the cup having been omitted for convenience of illustration; FIG. 4 is a top plan view of FIG. 2; FIG. 5 is a top plan view of FIG. 3; and FIG. 6 is a bottom plan view thereof.

### [56] References Cited

#### U.S. PATENT DOCUMENTS

D. 286,250 10/1986 Prescott ..... D7/70 X  
D. 297,799 9/1988 Hammer ..... D7/70  
2,174,586 10/1939 Leppke ..... D7/27 X  
2,240,020 4/1941 Raiser ..... D7/27 X





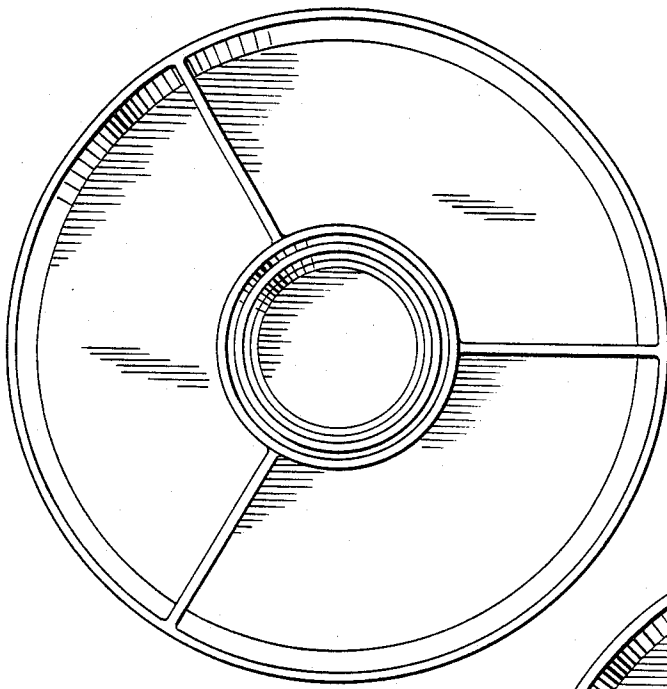


FIG. 4

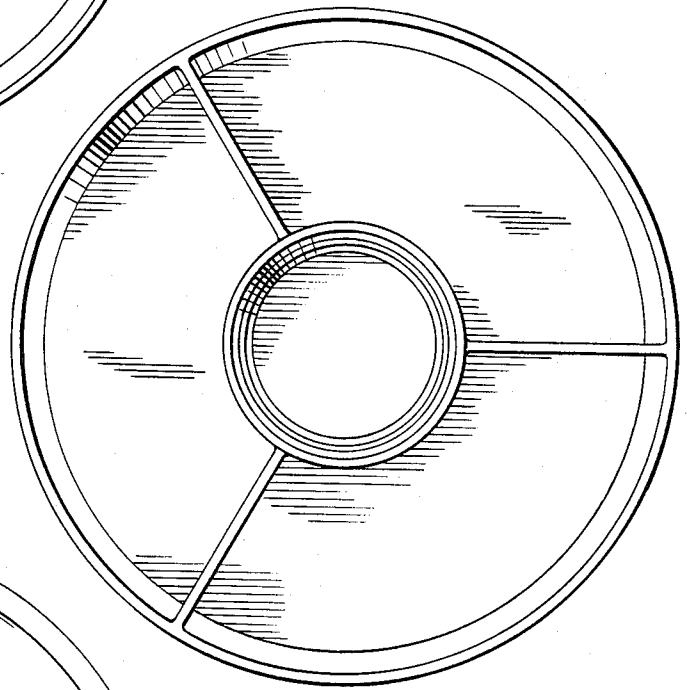


FIG. 5

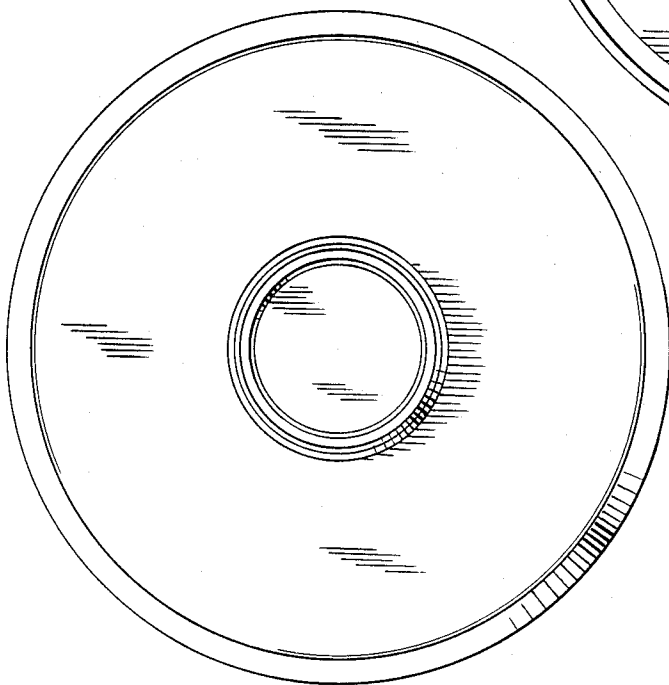


FIG. 6