



US00D726951S

(12) **United States Design Patent**
Serwacki et al.

(10) **Patent No.:** **US D726,951 S**

(45) **Date of Patent:** **** Apr. 14, 2015**

(54) **LIGHTING ASSEMBLY**

(71) Applicant: **Molex Incorporated**, Lisle, IL (US)

(72) Inventors: **Megan Serwacki**, Oswego, IL (US);
Victor Zaderej, St. Charles, IL (US);
Michael Picini, Aurora, IL (US);
Gregory Kuchuris, Wheaton, IL (US);
Daniel McGowan, Glen Ellyn, IL (US);
Timothy Canzano, Glen Ellyn, IL (US)

(73) Assignee: **Molex Incorporated**, Lisle, IL (US)

(**) Term: **14 Years**

(21) Appl. No.: **29/483,560**

(22) Filed: **Feb. 28, 2014**

(51) **LOC (10) Cl.** **26-05**

(52) **U.S. Cl.**
USPC **D26/74**

(58) **Field of Classification Search**

CPC F21V 29/2262; F21V 7/06; F21V 21/044;
F21V 21/047; F21V 29/2212; F21V 29/2225;
F21V 29/2256; F21V 29/225; F21V 29/2268;
F21S 8/02; F21S 8/026; F21Y 2111/002
USPC D26/74, 72, 75, 76, 77, 78, 85, 88, 89,
D26/118, 138, 141; 362/364, 365, 373, 145,
362/146, 147, 148, 150, 153, 153.1, 294,
362/296.01, 296.07, 296.08

See application file for complete search history.

(56) **References Cited**

U.S. PATENT DOCUMENTS

D397,472 S * 8/1998 Lecluze D26/118
D488,251 S * 4/2004 Benghozi D26/118
D488,583 S * 4/2004 Benghozi D26/118
D561,374 S * 2/2008 Hartmann et al. D26/74
D622,434 S * 8/2010 Ward et al. D26/74
D655,850 S * 3/2012 Sabernig D26/85

D667,984 S * 9/2012 van den Akker D26/89
D668,372 S * 10/2012 Renshaw et al. D26/74
D671,668 S * 11/2012 Rowlette et al. D26/74
D705,473 S * 5/2014 Messisaen D26/74
D712,082 S * 8/2014 Harpenau et al. D26/74
2008/0212330 A1 * 9/2008 Hartmann et al. 362/311

* cited by examiner

Primary Examiner — Angela J Lee

(74) *Attorney, Agent, or Firm* — Banner & Witcoff, Ltd.

(57) **CLAIM**

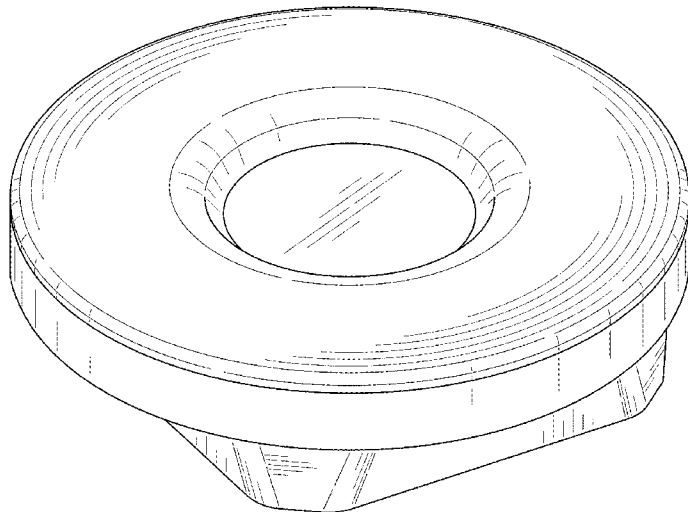
The ornamental design for a lighting assembly, as shown and described.

DESCRIPTION

FIG. 1 is a front perspective view of a lighting assembly showing our new design;
FIG. 2 is a front view thereof;
FIG. 3 is a rear view thereof;
FIG. 4 is a right side view thereof;
FIG. 5 is a left side view thereof;
FIG. 6 is a top view thereof;
FIG. 7 is a bottom view thereof;
FIG. 8 is a bottom perspective view thereof;
FIG. 9 is a front isometric view of the lighting assembly of FIGS. 1-8 without surface shading and without disclaimed subject matter;
FIG. 10 is a front view thereof;
FIG. 11 is a rear view thereof;
FIG. 12 is a right side view thereof;
FIG. 13 is a left side view thereof;
FIG. 14 is a top view thereof; and
FIG. 15 is a bottom view thereof; and
FIG. 16 is a bottom perspective view thereof.

The broken line showing in the bottom regions of the lighting assembly of FIGS. 2-5 and FIGS. 7-8 are for environmental purposes only and form no part of the claimed design.

1 Claim, 12 Drawing Sheets



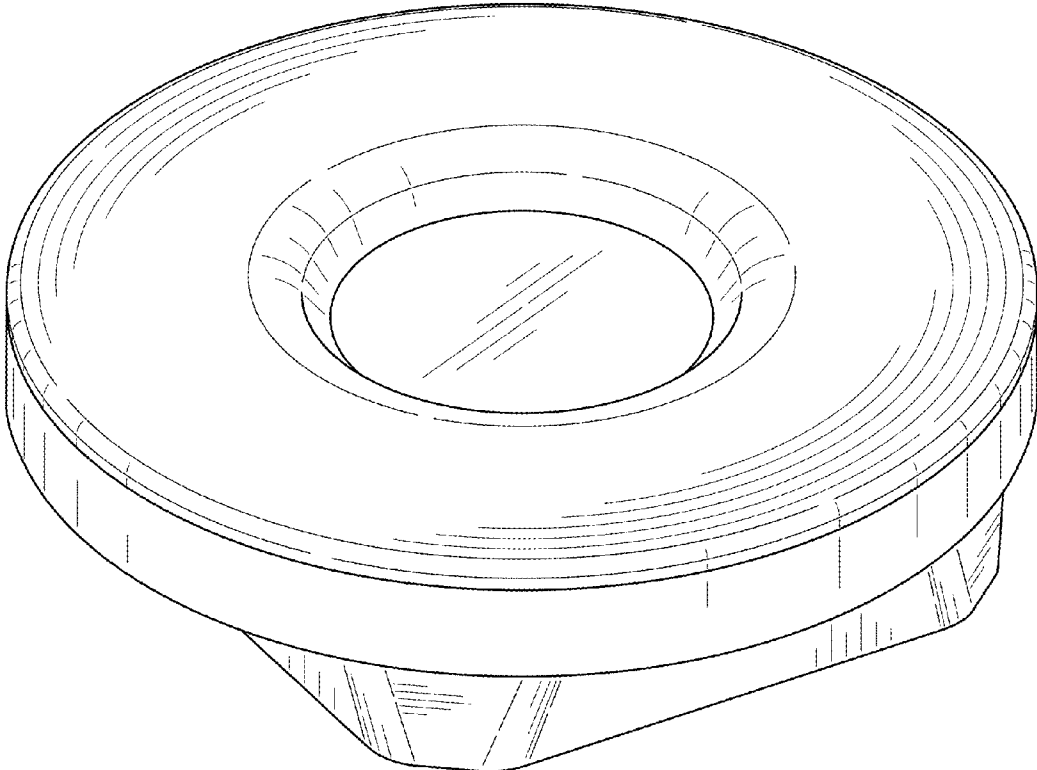


FIG. 1

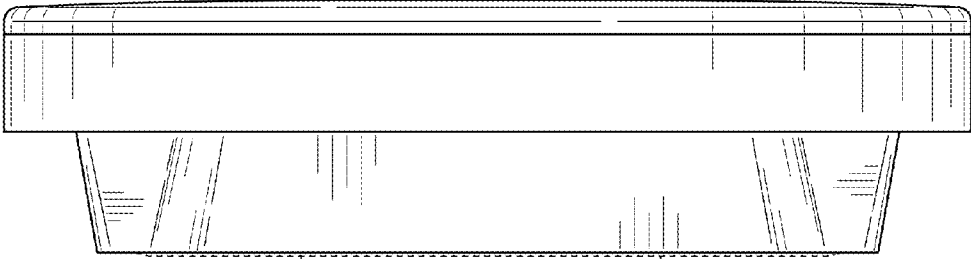


FIG. 2

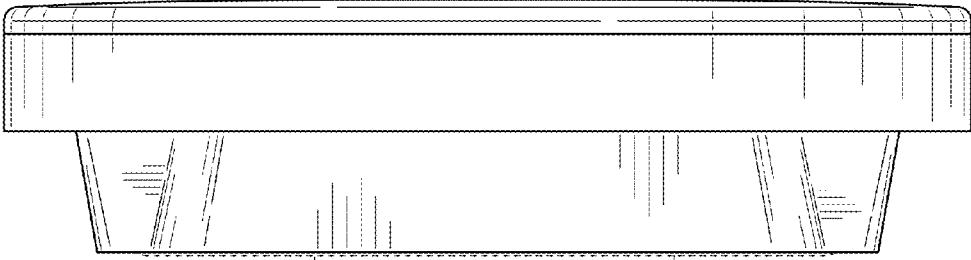


FIG. 3

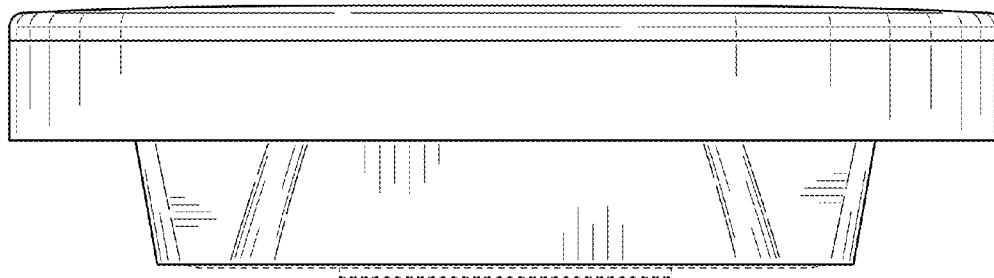


FIG. 4

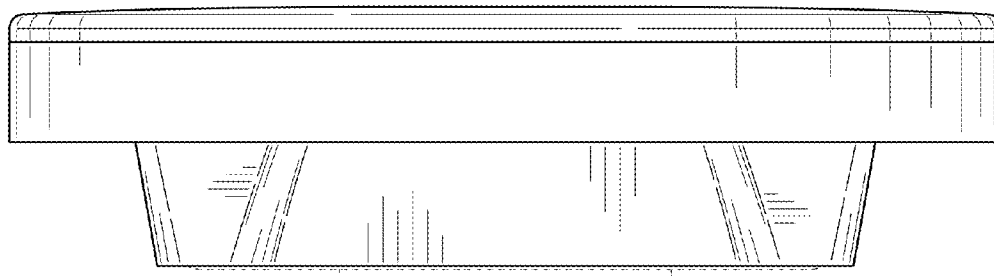


FIG. 5

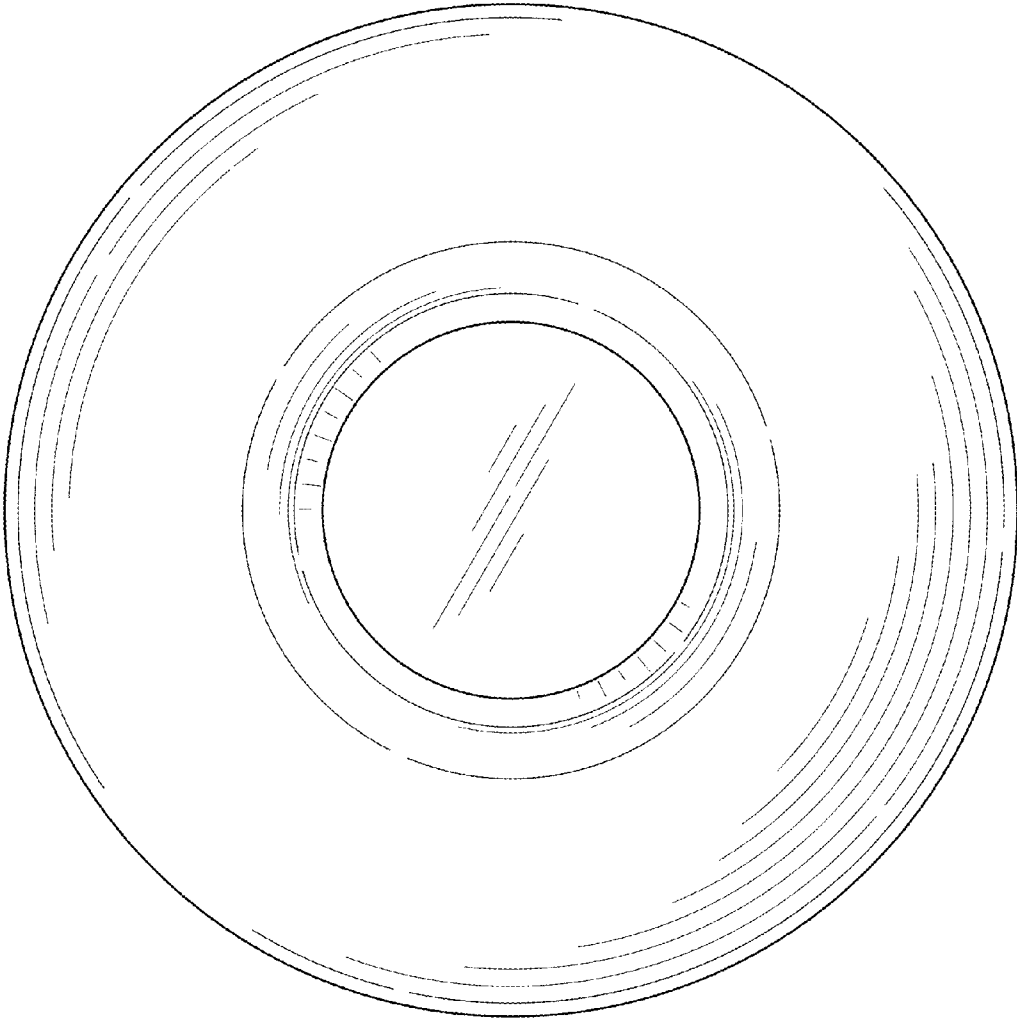


FIG. 6

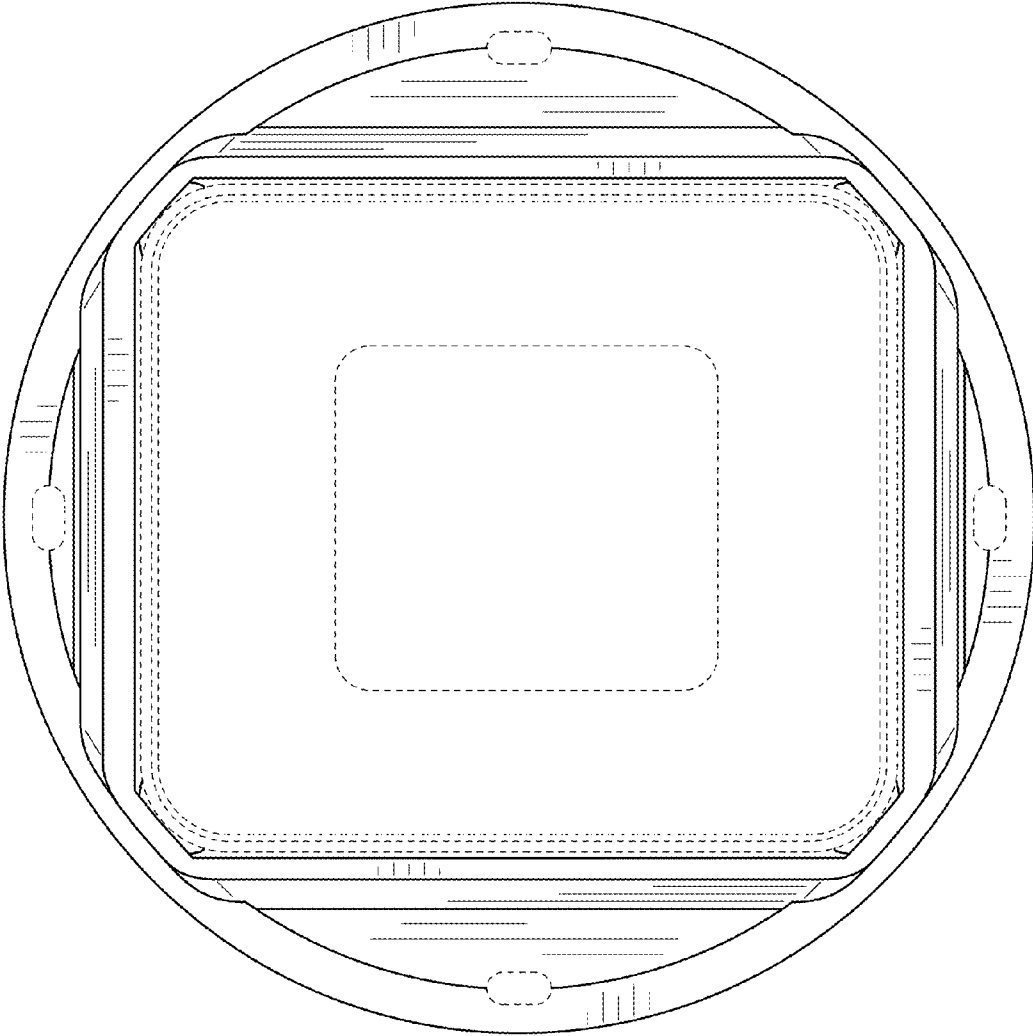


FIG. 7

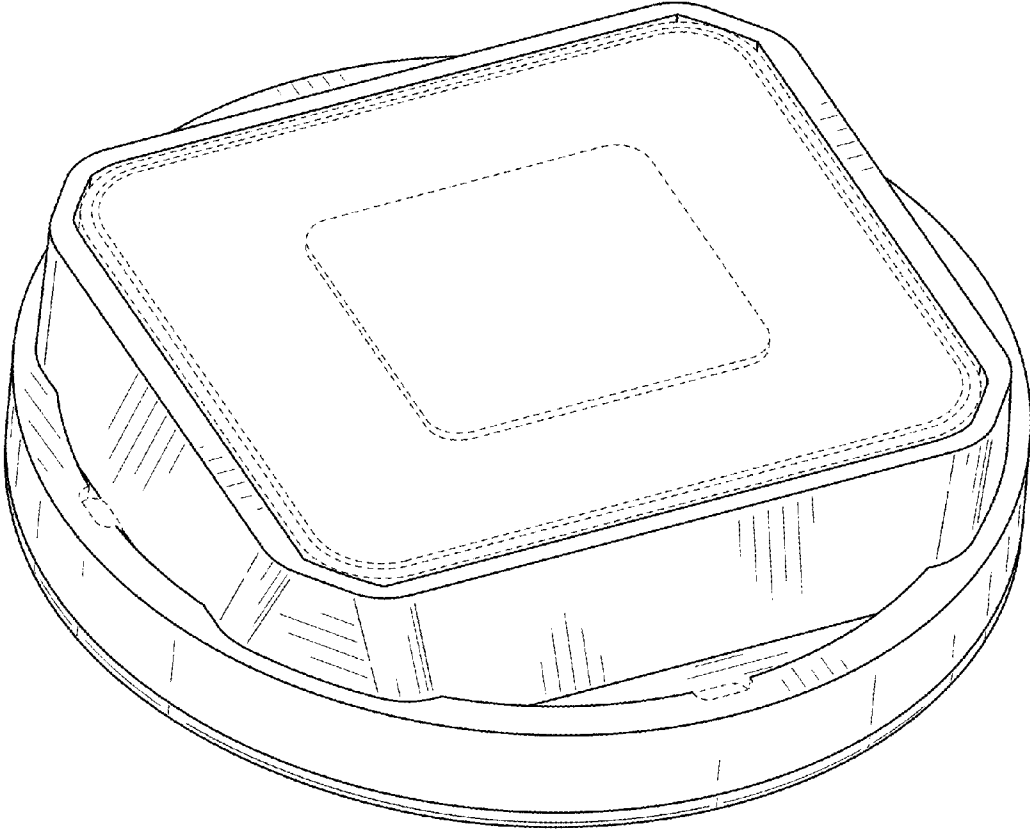


FIG. 8

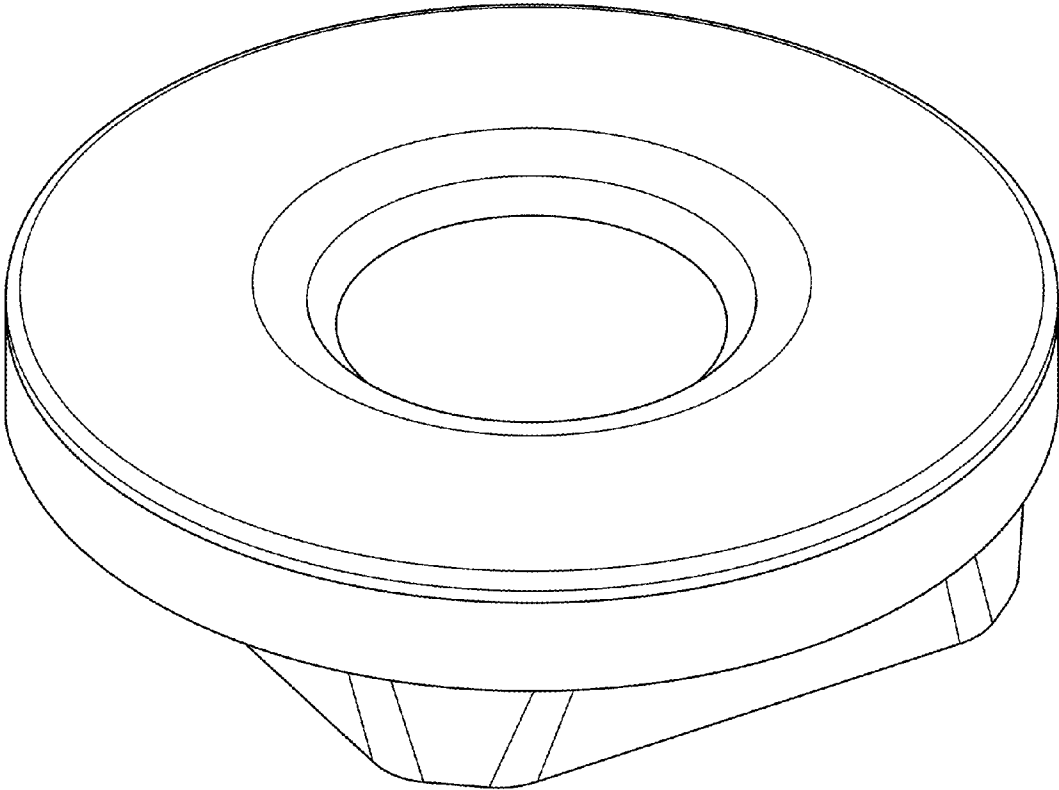


FIG. 9

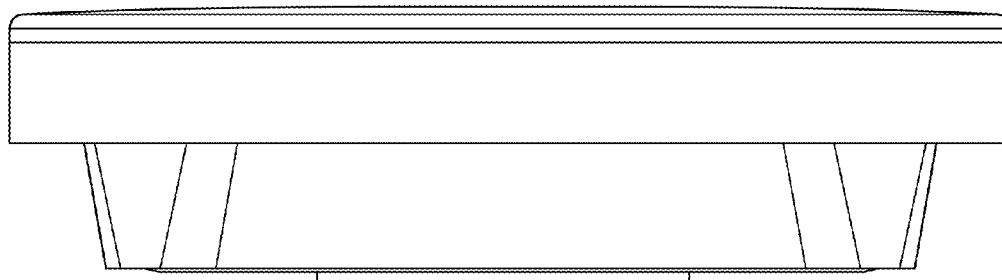


FIG. 10

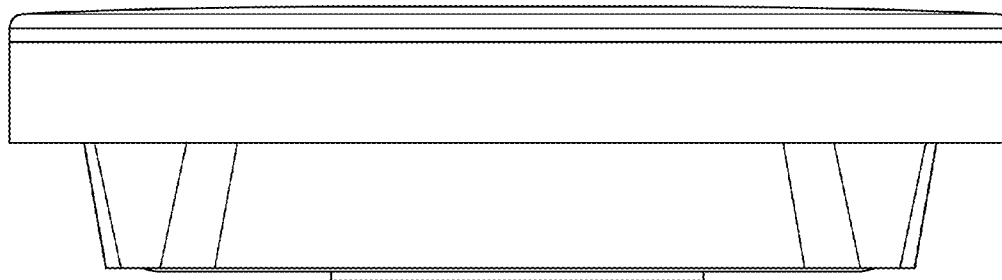


FIG. 11

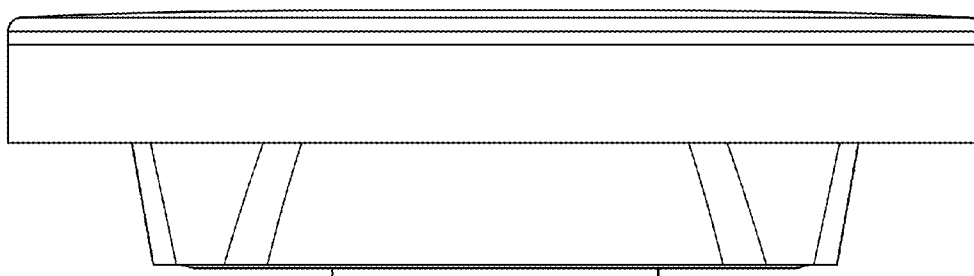


FIG. 12

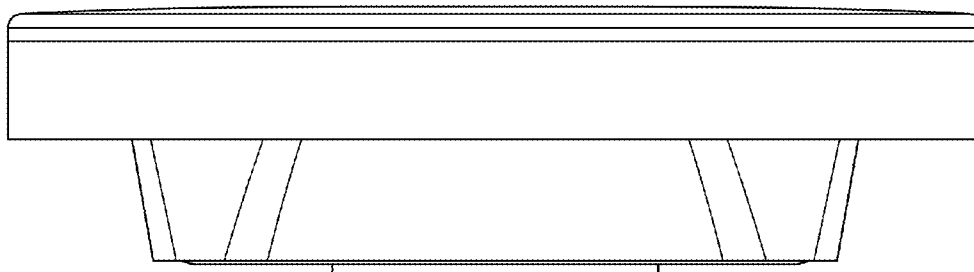


FIG. 13

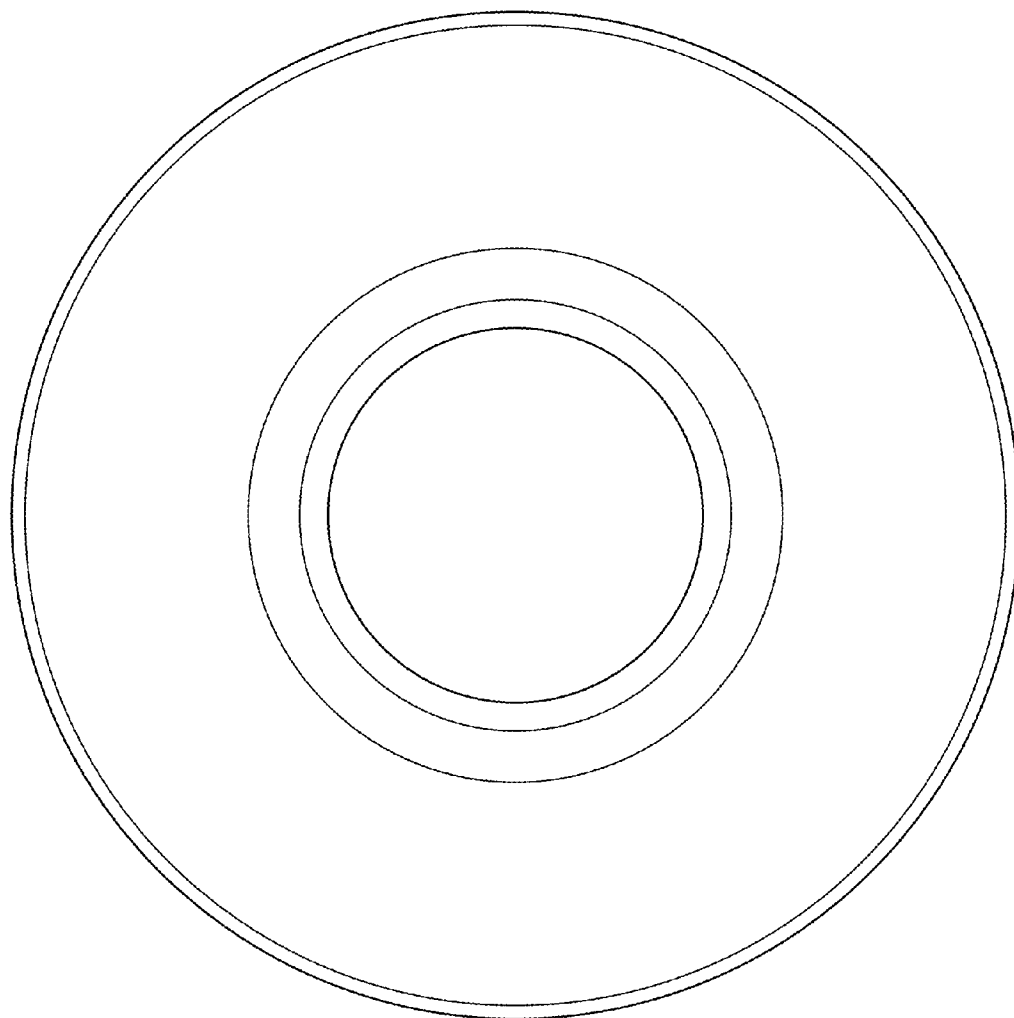


FIG. 14

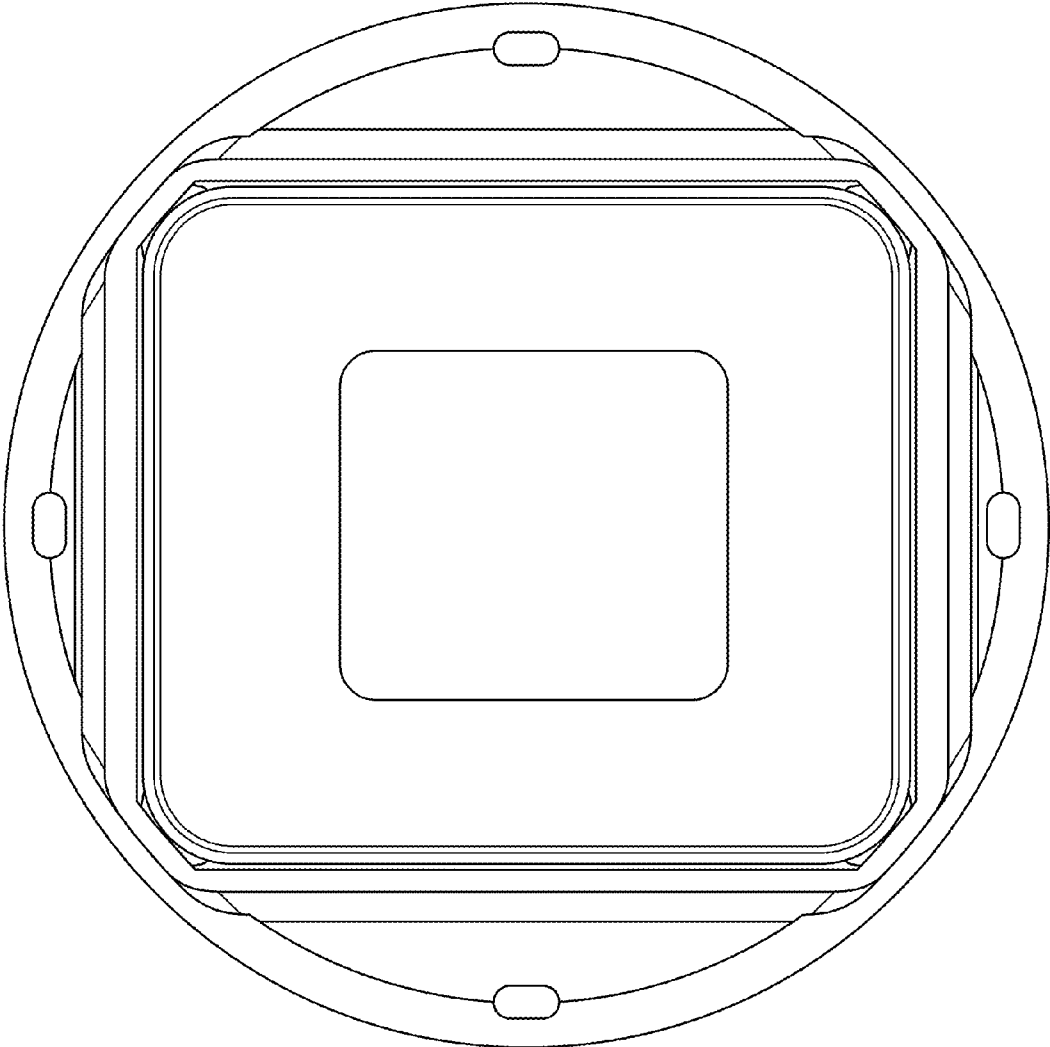


FIG. 15

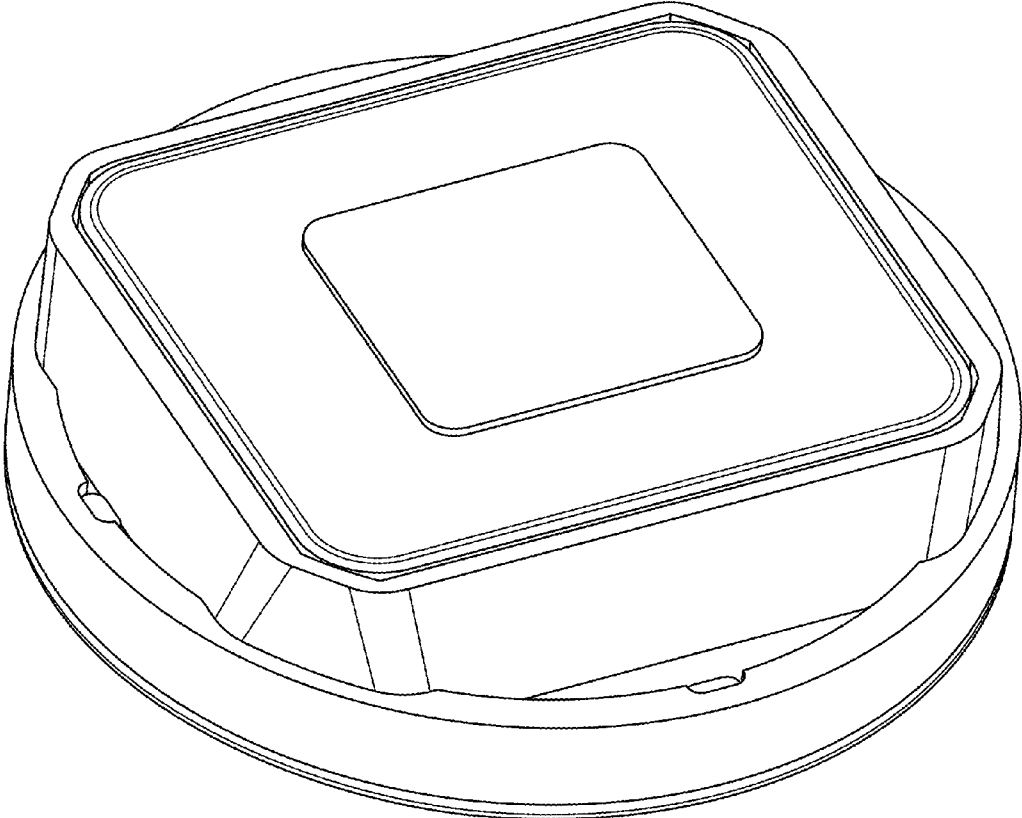


FIG. 16