



(51) International Patent Classification:

B64C 23/06 (2006.01) F03D 7/02 (2006.01)
F03D 1/06 (2006.01) F03D 11/00 (2006.01)

(21) International Application Number:

PCT/EP2012/064301

(22) International Filing Date:

20 July 2012 (20.07.2012)

(25) Filing Language:

English

(26) Publication Language:

English

(30) Priority Data:

11175052.7 22 July 2011 (22.07.2011) EP
1202894.0 21 February 2012 (21.02.2012) GB

(71) Applicant (for all designated States except US): **LM WP PATENT HOLDING A/S** [DK/DK]; Jupitervej 6, DK-6000 Kolding (DK).

(72) Inventors; and

(75) Inventors/Applicants (for US only): **MADSEN, Jesper** [DK/DK]; Andsvej 8, DK-6621 Gesten (DK). **WÜRTH, Ines** [DE/DE]; Tammerstrasse 69, D-71634 Ludwigsburg (DE). **HANSEN, Rolf** [DK/DK]; c/o LM Wind Power A/S, Jupitervej 6, DK-6000 Kolding (DK). **MÜLLER, Olaf** [DE/DK]; c/o LM Wind Power A/S, Jupitervej 6, DK-6000 Kolding (DK).

(74) Agent: **KITCHEN, Steven Richard**; c/o LM WP Patent Holding A/S, Jupitervej 6, DK-6000 Kolding (DK).

(81) Designated States (unless otherwise indicated, for every kind of national protection available): AE, AG, AL, AM, AO, AT, AU, AZ, BA, BB, BG, BH, BR, BW, BY, BZ, CA, CH, CL, CN, CO, CR, CU, CZ, DE, DK, DM, DO, DZ, EC, EE, EG, ES, FI, GB, GD, GE, GH, GM, GT, HN, HR, HU, ID, IL, IN, IS, JP, KE, KG, KM, KN, KP, KR, KZ, LA, LC, LK, LR, LS, LT, LU, LY, MA, MD, ME, MG, MK, MN, MW, MX, MY, MZ, NA, NG, NI, NO, NZ, OM, PE, PG, PH, PL, PT, QA, RO, RS, RU, RW, SC, SD, SE, SG, SK, SL, SM, ST, SV, SY, TH, TJ, TM, TN, TR, TT, TZ, UA, UG, US, UZ, VC, VN, ZA, ZM, ZW.

(84) Designated States (unless otherwise indicated, for every kind of regional protection available): ARIPO (BW, GH, GM, KE, LR, LS, MW, MZ, NA, RW, SD, SL, SZ, TZ, UG, ZM, ZW), Eurasian (AM, AZ, BY, KG, KZ, RU, TJ, TM), European (AL, AT, BE, BG, CH, CY, CZ, DE, DK, EE, ES, FI, FR, GB, GR, HR, HU, IE, IS, IT, LT, LU, LV, MC, MK, MT, NL, NO, PL, PT, RO, RS, SE, SI, SK, SM, TR), OAPI (BF, BJ, CF, CG, CI, CM, GA, GN, GQ, GW, ML, MR, NE, SN, TD, TG).

Declarations under Rule 4.17:

- as to the applicant's entitlement to claim the priority of the earlier application (Rule 4.17(iii))
- of inventorship (Rule 4.17(iv))

[Continued on next page]

(54) Title: WIND TURBINE BLADE COMPRISING VORTEX GENERATORS

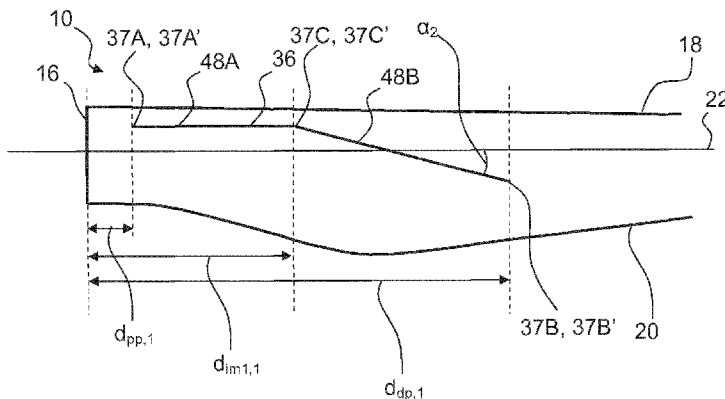


Fig. 8

(57) Abstract: Disclosed is a wind turbine blade (10) and a method for retrofitting a wind turbine blade (10), the wind turbine blade (10) extending in a longitudinal direction (r) along a pitch axis and having a tip end (16) and a root end (14) as well as a blade length (L), the wind turbine blade (10) further comprising a profiled contour including a pressure side (52) and a suction side (54), as well as a leading edge (56) and a trailing edge (58) with a chord (60) having a chord length (C) extending there between, the profiled contour, when being impacted by an incident airflow generating a lift, wherein the suction side (54) of the wind turbine blade is provided with a plurality of vortex generators positioned along a mounting line (36) having a proximal end point (37A) nearest the root end and a distal end point (37B) nearest the tip end, wherein the mounting line (36) is a concave line seen from the trailing edge (58) of the wind turbine blade (10).



Published:

(88) Date of publication of the international search report:

22 August 2013

- *with international search report (Art. 21(3))*
- *before the expiration of the time limit for amending the claims and to be republished in the event of receipt of amendments (Rule 48.2(h))*

INTERNATIONAL SEARCH REPORT

International application No
PCT/EP2012/064301

A. CLASSIFICATION OF SUBJECT MATTER
 INV. B64C23/06 F03D1/06 F03D7/02 F03D11/00
 ADD.
 According to International Patent Classification (IPC) or to both national classification and IPC

B. FIELDS SEARCHED
 Minimum documentation searched (classification system followed by classification symbols)
 B64C F03D
 Documentation searched other than minimum documentation to the extent that such documents are included in the fields searched

Electronic data base consulted during the international search (name of data base and, where practicable, search terms used)
 EPO-Internal, WPI Data

C. DOCUMENTS CONSIDERED TO BE RELEVANT		
Category*	Citation of document, with indication, where appropriate, of the relevant passages	Relevant to claim No.
X	WO 01/16482 A1 (STICHTING ENERGIE [NL]; CORTEN G C [NL]) 8 March 2001 (2001-03-08) cited in the application page 4, line 7 - line 26 figures 1,2,3	1-17
A	----- EP 2 141 358 A1 (LM GLASFIBER AS [DK]) 6 January 2010 (2010-01-06) paragraphs [0010], [0013], [0026], [0028], [0029] figure 2	1-17
A	----- WO 2008/113349 A2 (VESTAS WIND SYS AS [DK]; GODSK KRISTIAN BALSCHMIDT [DK]) 25 September 2008 (2008-09-25) pages 1,6,7 figure 6	1-17
	----- -/--	

Further documents are listed in the continuation of Box C.

See patent family annex.

* Special categories of cited documents :

"A" document defining the general state of the art which is not considered to be of particular relevance	"T" later document published after the international filing date or priority date and not in conflict with the application but cited to understand the principle or theory underlying the invention
"E" earlier application or patent but published on or after the international filing date	"X" document of particular relevance; the claimed invention cannot be considered novel or cannot be considered to involve an inventive step when the document is taken alone
"L" document which may throw doubts on priority claim(s) or which is cited to establish the publication date of another citation or other special reason (as specified)	"Y" document of particular relevance; the claimed invention cannot be considered to involve an inventive step when the document is combined with one or more other such documents, such combination being obvious to a person skilled in the art
"O" document referring to an oral disclosure, use, exhibition or other means	"&" document member of the same patent family
"P" document published prior to the international filing date but later than the priority date claimed	

Date of the actual completion of the international search 5 June 2013	Date of mailing of the international search report 28/06/2013
---	---

Name and mailing address of the ISA/ European Patent Office, P.B. 5818 Patentlaan 2 NL - 2280 HV Rijswijk Tel. (+31-70) 340-2040, Fax: (+31-70) 340-3016	Authorized officer Lux, Ralph
--	---

INTERNATIONAL SEARCH REPORT

International application No
PCT/EP2012/064301

C(Continuation). DOCUMENTS CONSIDERED TO BE RELEVANT		
Category*	Citation of document, with indication, where appropriate, of the relevant passages	Relevant to claim No.
A	WO 02/08600 A1 (STICHTING ENERGIE [NL]; CORTEN GUSTAVE PAUL [NL]) 31 January 2002 (2002-01-31) cited in the application page 4, line 8 - line 22 figure 1 -----	1-17

INTERNATIONAL SEARCH REPORT

Information on patent family members

International application No PCT/EP2012/064301

Patent document cited in search report	Publication date	Patent family member(s)	Publication date
WO 0116482	A1	08-03-2001	AU 7324300 A 26-03-2001
			NL 1012949 C2 06-03-2001
			WO 0116482 A1 08-03-2001
EP 2141358	A1	06-01-2010	CN 102245895 A 16-11-2011
			EP 2141358 A1 06-01-2010
			EP 2368035 A1 28-09-2011
			US 2011250076 A1 13-10-2011
			WO 2010066501 A1 17-06-2010
WO 2008113349	A2	25-09-2008	NONE
WO 0208600	A1	31-01-2002	AT 348263 T 15-01-2007
			AU 6961501 A 05-02-2002
			AU 2001269615 B2 02-12-2004
			CA 2415087 A1 31-01-2002
			DE 60125172 T2 08-11-2007
			DK 1295032 T3 10-04-2007
			EP 1295032 A1 26-03-2003
			ES 2277928 T3 01-08-2007
			NL 1015558 C2 08-01-2002
			PT 1295032 E 30-03-2007
			US 2004013512 A1 22-01-2004
			WO 0208600 A1 31-01-2002