

DESIGN.

H. E. HOOVER.

SUCTION SWEEPER CASE.

APPLICATION FILED OCT. 9, 1916.

50,104.

Patented Dec. 26, 1916.

Fig. 1.

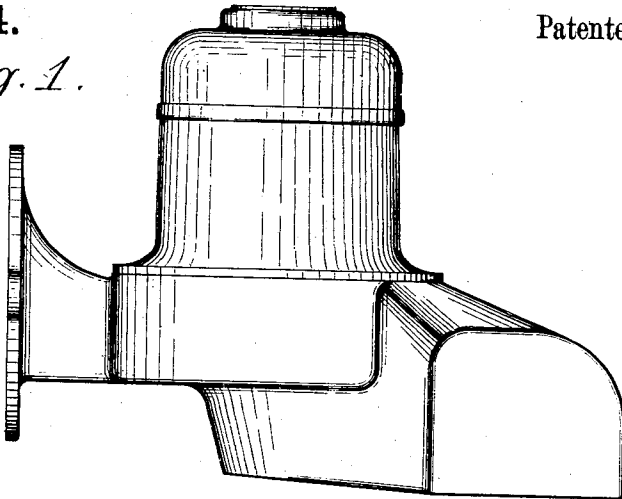
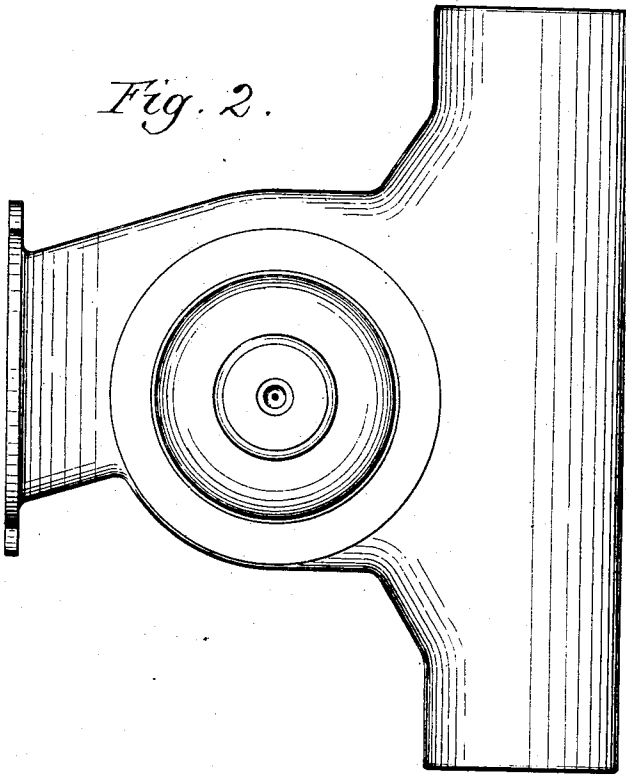


Fig. 2.



Witnesses.

Edward T. Gray.

Minnie M. Lindenau

Inventor.

Howard Earl Hoover.

by Parker & Caste
Attorneys.

UNITED STATES PATENT OFFICE.

HOWARD EARL HOOVER, OF CHICAGO, ILLINOIS, ASSIGNOR TO THE HOOVER SUCTION SWEEPER COMPANY, OF NEW BERLIN, OHIO, A CORPORATION OF OHIO.

DESIGN FOR A SUCTION-SWEEPER CASE.

50,104.

Specification for Design.

Patented Dec. 26, 1916.

Application filed October 9, 1916. Serial No. 124,738. Term of patent 14 years.

To all whom it may concern:

Be it known that I, HOWARD EARL HOOVER, a citizen of the United States, residing at Chicago, in the county of Cook and State of Illinois, have invented a new, original, and ornamental Design for Suction-Sweeper Cases, of which the following is a specification, reference being had to the accompanying drawing, forming part thereof.

Figure 1 is a side elevation of a suction

sweeper case showing the design; Fig. 2 is a plan view thereof.

I claim:—

The ornamental design for a suction sweeper case as shown.

HOWARD EARL HOOVER.

Witnesses:

MINNIE M. LINDENAU,
MARION L. INGRAHAM.

Copies of this patent may be obtained for five cents each, by addressing the "Commissioner of Patents, Washington, D. C."