

(19) World Intellectual Property Organization  
International Bureau



(43) International Publication Date  
16 January 2003 (16.01.2003)

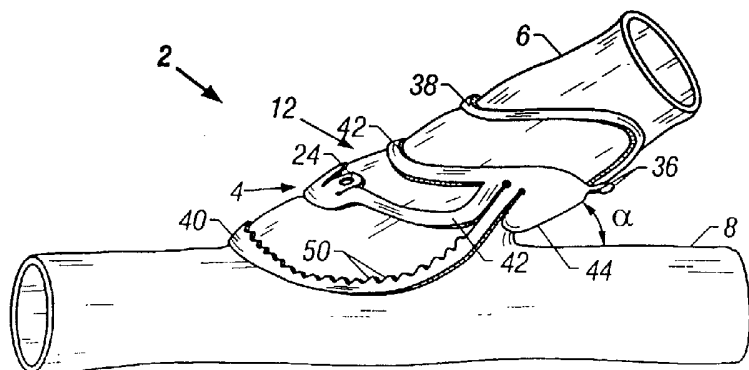
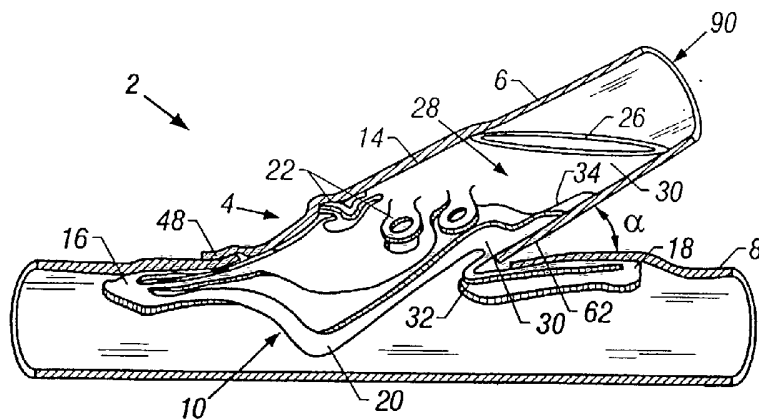
PCT

(10) International Publication Number  
WO 03/005698 A3

- (51) International Patent Classification<sup>7</sup>: **A61B 17/08**
- (21) International Application Number: PCT/US02/20846
- (22) International Filing Date: 1 July 2002 (01.07.2002)
- (25) Filing Language: English
- (26) Publication Language: English
- (30) Priority Data:
- |            |                               |    |
|------------|-------------------------------|----|
| 09/899,346 | 5 July 2001 (05.07.2001)      | US |
| 60/333,276 | 14 November 2001 (14.11.2001) | US |
| 09/991,469 | 21 November 2001 (21.11.2001) | US |
| 10/122,075 | 11 April 2002 (11.04.2002)    | US |
| 60/387/824 | 10 June 2002 (10.06.2002)     | US |
- (71) Applicant (for all designated States except US): **CONVERGE MEDICAL, INC.** [US/US]; 7026 Knoll Center Parkway, Suite 230, Pleasanton, CA 94566 (US).
- (72) Inventors; and
- (75) Inventors/Applicants (for US only): **WHAYNE, James, G.** [US/US]; 1200 Pinehurst Drive, Chapel Hill, NC 27517 (US). **TILSON, Alexander, Q.** [US/US]; 143 Loma Vista Drive, Burlingame, CA 94010 (US). **FLEISCHMAN, Sidney, D.** [US/US]; 855 Woodland Avenue, Menlo Park, CA 94025 (US). **LOVE, Charles, S.** [US/US]; 799 Carosam Road, Santa Barbara, CA 93110 (US). **BARHAM, Mitchell, C.** [US/US]; 1085 Santa Cruz Ave., Suite 3, Menlo Park, CA 94025 (US). **KNIGHT, David, P.** [US/US]; 1797 Wagner Avenue, Mountain View, CA 94043 (US).
- (74) Agents: **HAN, Johney U.**, et al.; Morrison & Foerster LLP, 755 Page Mill Road, Palo Alto, CA 94304-1018 (US).
- (81) Designated States (national): AE, AG, AL, AM, AT, AU, AZ, BA, BB, BG, BR, BY, BZ, CA, CH, CN, CO, CR, CU, CZ, DE, DK, DM, DZ, EC, EE, ES, FI, GB, GD, GE, GH, GM, HR, HU, ID, IL, IN, IS, JP, KE, KG, KP, KR, KZ, LC,

[Continued on next page]

(54) Title: DISTAL ANASTOMOSIS SYSTEM



(57) Abstract: Distal anastomosis devices and associated methodology are described herein. Connector (2) and connector components as well as tools associated therewith are disclosed. The connectors (2) are preferably adapted to produce an end-to-side anastomosis at a graft/coronary artery junction. A fitting (10) alone, or a fitting (10) in combination with a collar (12) may be used as a connector (2). Each fitting (10) may be deployed by deflecting its shape to provide clearance for a rear segment (18) that rotates about adjoining hinge section (s) (28) so to fit the connector within an aperture formed in a host vessel. Upon return to a substantially relaxed position, a rear segment (18) anchors the interfacing with the host vessel/coronary artery. The collar (12) may include features complimentary to those of a fitting (10) and provisions for strain relief and securing the graft vessel.



WO 03/005698 A3



LK, LR, LS, LT, LU, LV, MA, MD, MG, MK, MN, MW, MX, MZ, NO, NZ, OM, PH, PL, PT, RO, RU, SD, SE, SG, SI, SK, SL, TJ, TM, TN, TR, TT, TZ, UA, UG, US, UZ, VN, YU, ZA, ZM, ZW.

TR), OAPI patent (BF, BJ, CF, CG, CI, CM, GA, GN, GQ, GW, ML, MR, NE, SN, TD, TG).

**Published:**

— *with international search report*

**(84) Designated States (regional):** ARIPO patent (GH, GM, KE, LS, MW, MZ, SD, SL, SZ, TZ, UG, ZM, ZW), Eurasian patent (AM, AZ, BY, KG, KZ, MD, RU, TJ, TM), European patent (AT, BE, BG, CH, CY, CZ, DE, DK, EE, ES, FI, FR, GB, GR, IE, IT, LU, MC, NL, PT, SE, SK,

**(88) Date of publication of the international search report:**

2 October 2003

*For two-letter codes and other abbreviations, refer to the "Guidance Notes on Codes and Abbreviations" appearing at the beginning of each regular issue of the PCT Gazette.*

# INTERNATIONAL SEARCH REPORT

International application No.

PCT/US02/20846

**A. CLASSIFICATION OF SUBJECT MATTER**

IPC(7) : A61B 17/08  
 US CL : 606/153

According to International Patent Classification (IPC) or to both national classification and IPC

**B. FIELDS SEARCHED**

Minimum documentation searched (classification system followed by classification symbols)  
 U.S. : 606/151, 153, 213, 215

Documentation searched other than minimum documentation to the extent that such documents are included in the fields searched

Electronic data base consulted during the international search (name of data base and, where practicable, search terms used)  
 Please See Continuation Sheet

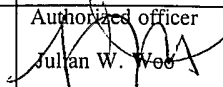
**C. DOCUMENTS CONSIDERED TO BE RELEVANT**

Category *	Citation of document, with indication, where appropriate, of the relevant passages	Relevant to claim No.
X --- Y	US 6,152,937 A (PETERSON et al.) 28 November 2000 (28.11.2000), see figures 1-14.	1-4,6-10,20-23,26-28,33-36,39-45,56,57,60-62,64-67,79-81,92,93,96-98,100-103 ----- 30-32,37,38,68,104

Further documents are listed in the continuation of Box C.       See patent family annex.

<p>* Special categories of cited documents:</p> <p>"A" document defining the general state of the art which is not considered to be of particular relevance</p> <p>"E" earlier application or patent published on or after the international filing date</p> <p>"L" document which may throw doubts on priority claim(s) or which is cited to establish the publication date of another citation or other special reason (as specified)</p> <p>"O" document referring to an oral disclosure, use, exhibition or other means</p> <p>"P" document published prior to the international filing date but later than the priority date claimed</p>	<p>"T" later document published after the international filing date or priority date and not in conflict with the application but cited to understand the principle or theory underlying the invention</p> <p>"X" document of particular relevance; the claimed invention cannot be considered novel or cannot be considered to involve an inventive step when the document is taken alone</p> <p>"Y" document of particular relevance; the claimed invention cannot be considered to involve an inventive step when the document is combined with one or more other such documents, such combination being obvious to a person skilled in the art</p> <p>"&amp;" document member of the same patent family</p>
---	---

Date of the actual completion of the international search	Date of mailing of the international search report
18 September 2002 (18.09.2002)	<b>07 APR 2003</b>

Name and mailing address of the ISA/US Commissioner of Patents and Trademarks Box PCT Washington, D.C. 20231 Facsimile No. (703)305-3230	Authorized officer  Julian W. Wee Telephone No. 703-308-0421
--	--

**INTERNATIONAL SEARCH REPORT**

PCT/US02/20846

**Continuation of B. FIELDS SEARCHED Item 3:**  
EAST BRS  
search terms: anastomosis, connector, graft, hinge, wire