



US00D798486S

(12) **United States Design Patent**
Thompson

(10) **Patent No.:** **US D798,486 S**

(45) **Date of Patent:** **** Sep. 26, 2017**

(54) **SUSPENDED LIGHTING FIXTURE**

(71) Applicant: **Mahdi Thompson**, Westfield, IN (US)

(72) Inventor: **Mahdi Thompson**, Westfield, IN (US)

(**) Term: **15 Years**

(21) Appl. No.: **29/580,952**

(22) Filed: **Oct. 14, 2016**

(51) **LOC (10) Cl.** **26-03**

(52) **U.S. Cl.**
USPC **D26/88; D26/135**

(58) **Field of Classification Search**
USPC D26/80-91, 118, 128, 135
CPC F21S 8/03; F21S 8/033; F21S 8/036; F21S
8/04; F21S 8/043; F21S 8/046; F21S
8/06; F21S 8/061; F21S 8/063; F21S
8/065; F21S 8/068

See application file for complete search history.

(56) **References Cited**

U.S. PATENT DOCUMENTS

D3,853 S *	2/1870	Letchworth	D26/135
408,070 A *	7/1889	Bell	F21V 1/02 24/11 R
1,868,692 A *	7/1932	Bruckmann	F21V 1/00 362/357
D105,452 S *	7/1937	Poling	D26/88

D240,320 S *	6/1976	Anderson, Jr.	D26/85
D268,209 S *	3/1983	Reistetter	D26/85
D343,250 S *	1/1994	Fouke	D26/88
D441,119 S *	4/2001	Crosby	D26/85
D576,761 S *	9/2008	Porter	D26/128
D666,354 S *	8/2012	Bracher	D26/81
D780,366 S *	2/2017	Orozco	D26/81
2012/0044690 A1 *	2/2012	Hsueh	F21S 8/061 362/249.06

* cited by examiner

Primary Examiner — Clare E Heflin

(74) *Attorney, Agent, or Firm* — C. John Brannon;
Brannon Sowers & Cracraft PC

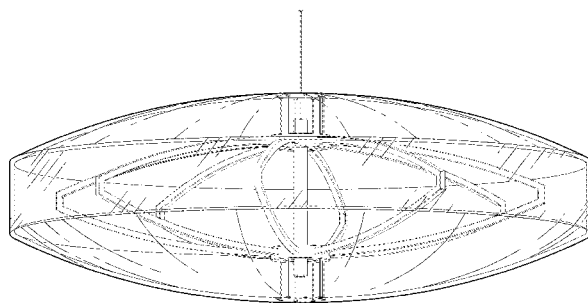
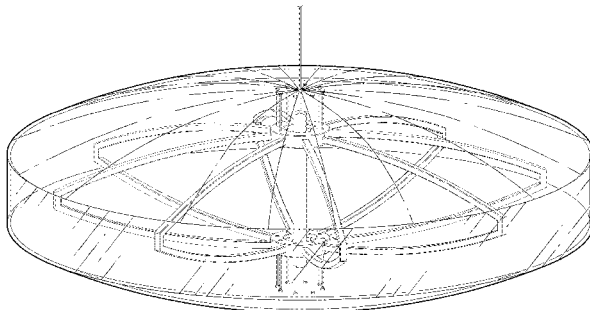
(57) **CLAIM**

The ornamental design for a suspended lighting fixture, as shown and described.

DESCRIPTION

FIG. 1 is a top perspective view of a suspended light fixture showing my new design;
FIG. 2 is a bottom perspective view thereof;
FIG. 3 is a front/rear elevation view thereof;
FIG. 4 is a bottom plan view thereof; and,
FIG. 5 is a top plan view thereof.

1 Claim, 5 Drawing Sheets



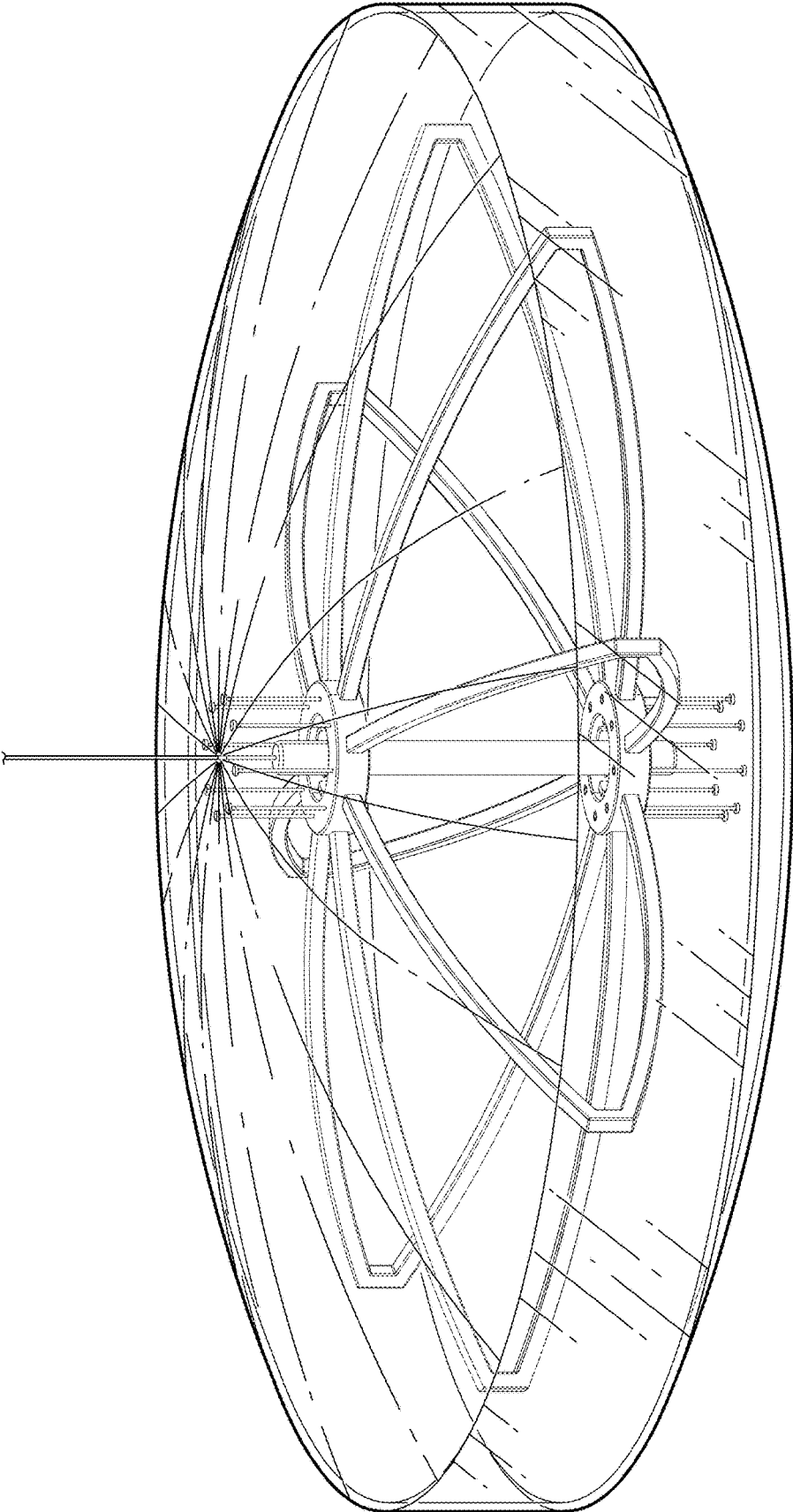


Fig. 1

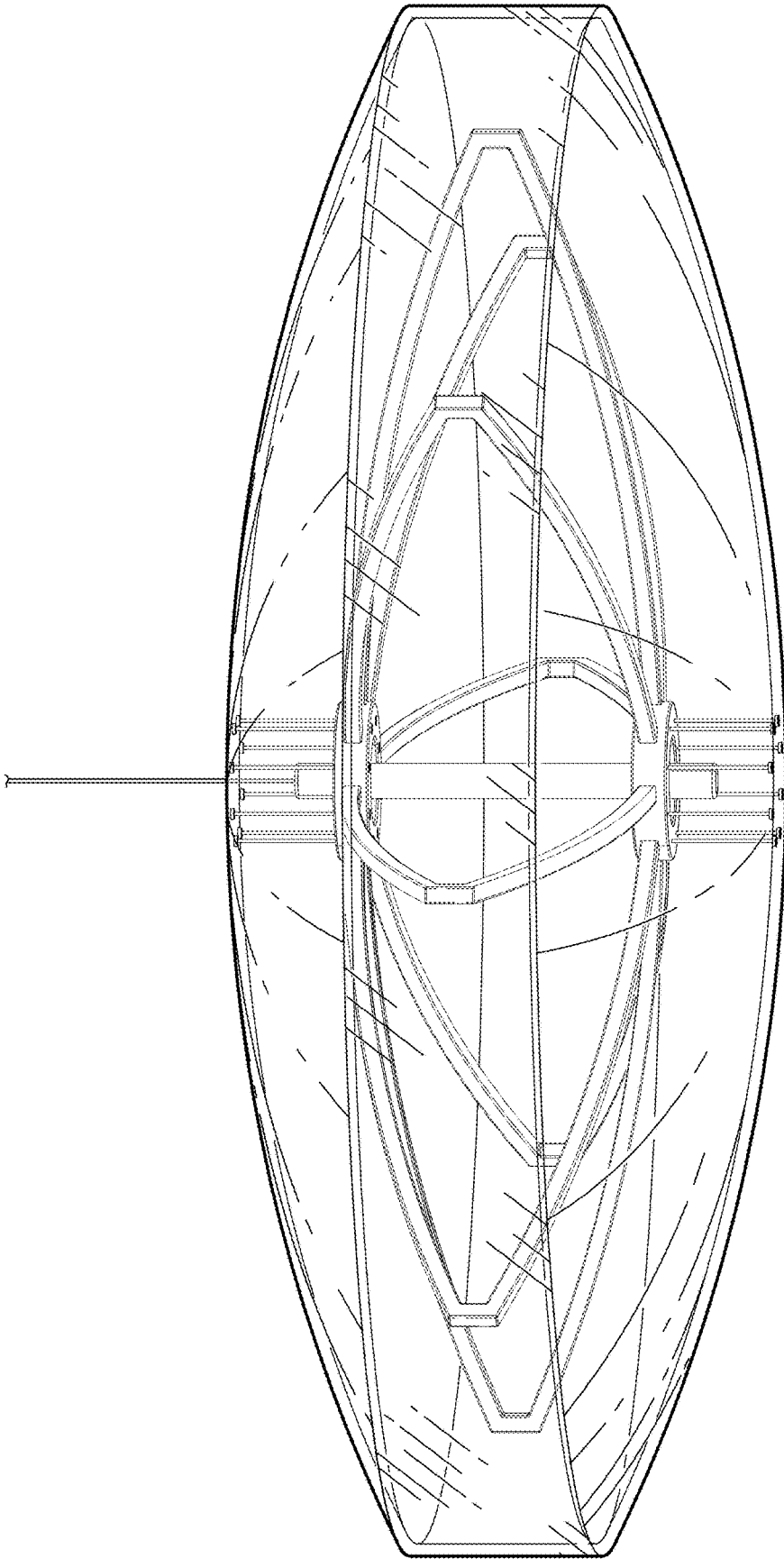


Fig. 2

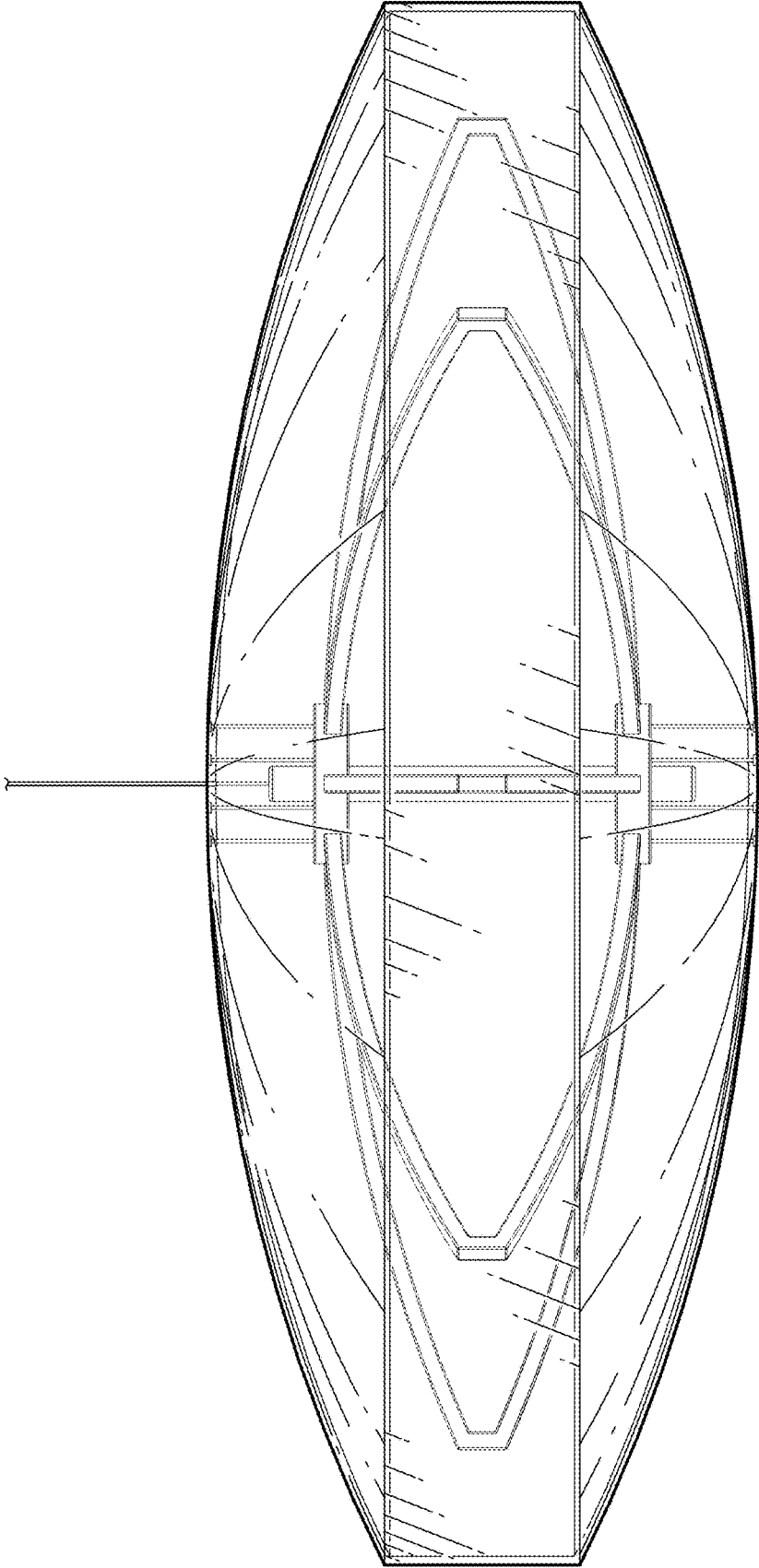


Fig. 3

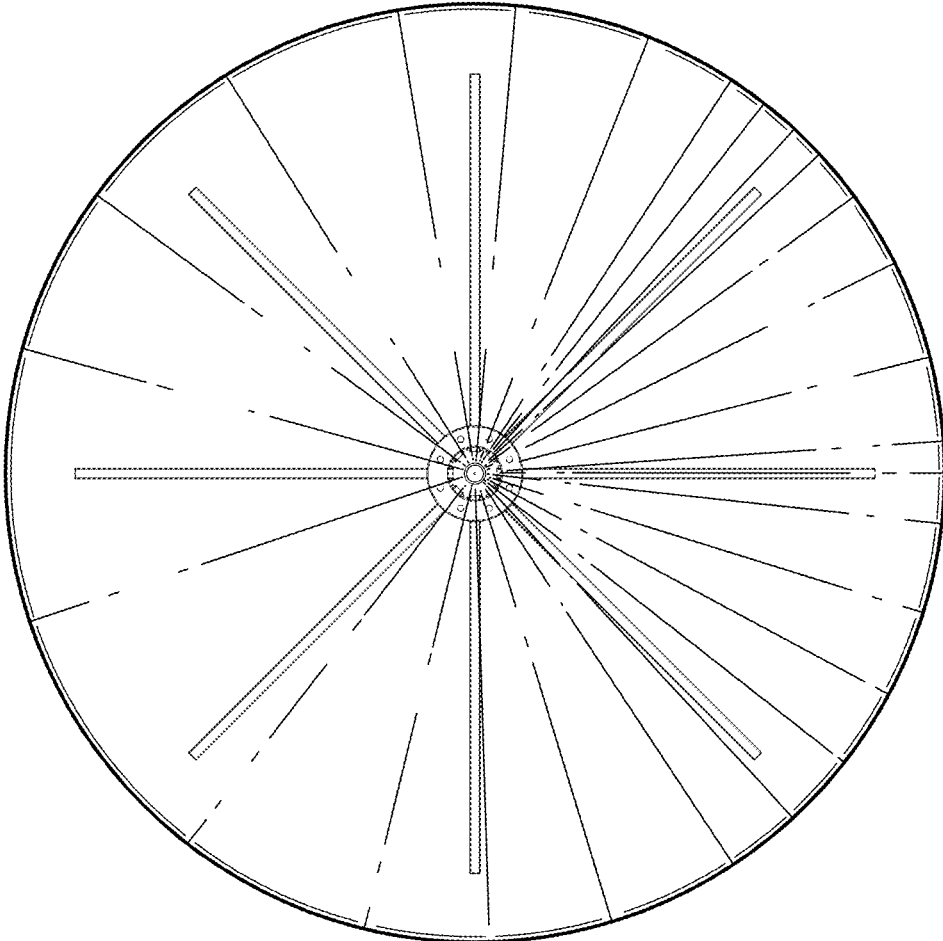


Fig. 4

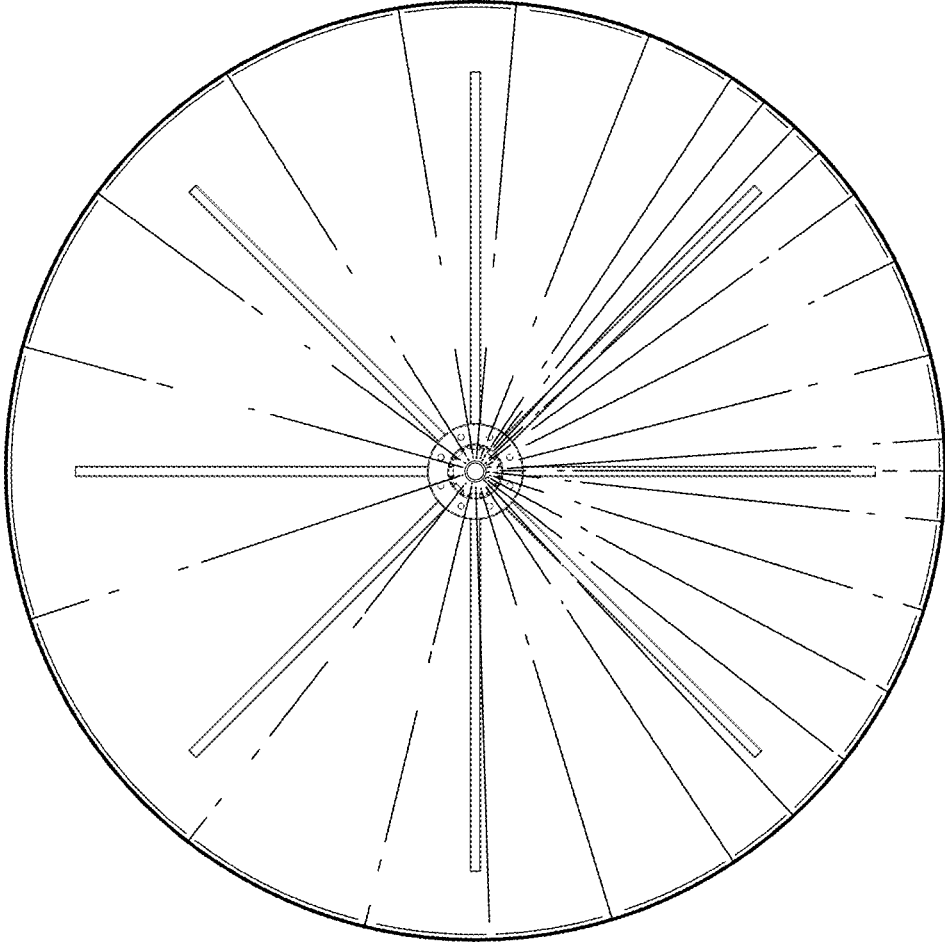


Fig. 5