



US00D680883S

(12) **United States Design Patent**
Loth et al.

(10) **Patent No.:** **US D680,883 S**

(45) **Date of Patent:** **** Apr. 30, 2013**

(54) **WRISTWATCH**

(75) Inventors: **Eric Loth**, La Chaux-de-Fonds (CH);
Julien Bernard, Le Neuveville (CH);
Christophe Robert, Le Locle (CH)

(73) Assignee: **Graham SA**, La Chaux-de-Fonds (CH)

(**) Term: **14 Years**

(21) Appl. No.: **29/423,706**

(22) Filed: **Jun. 4, 2012**

(30) **Foreign Application Priority Data**

Mar. 6, 2012 (CH) 138 678

(51) **LOC (9) Cl.** **10-02**

(52) **U.S. Cl.**
USPC **D10/32**

(58) **Field of Classification Search** D10/30-39,
D10/122-132; 368/276, 281, 282, 223, 228,
368/232, 288-290

See application file for complete search history.

(56) **References Cited**

U.S. PATENT DOCUMENTS

4,364,669	A	*	12/1982	Thoenig et al.	368/111
5,119,349	A	*	6/1992	Muto et al.	368/157
6,200,019	B1	*	3/2001	Latini	368/289
D452,175	S	*	12/2001	Finazzi	D10/39
D506,936	S	*	7/2005	Takahashi	D10/32
D519,389	S	*	4/2006	Takahashi	D10/32
D526,923	S	*	8/2006	Okaya	D10/126
D553,020	S	*	10/2007	Sirmakes	D10/32

D563,802	S	*	3/2008	Loth	D10/39
D574,263	S	*	8/2008	Loth	D10/38
D574,734	S	*	8/2008	Loth	D10/38
D585,308	S	*	1/2009	Loth	D10/38
D585,768	S	*	2/2009	Loth	D10/39
D586,238	S	*	2/2009	Loth	D10/32
D586,669	S	*	2/2009	Loth	D10/39
D591,179	S	*	4/2009	Loth	D10/39
D597,859	S	*	8/2009	Arpa	D10/32
D599,219	S	*	9/2009	Fontana	D10/39
D610,473	S	*	2/2010	Goodman	D10/38
D612,749	S	*	3/2010	Loth	D10/32
D614,972	S	*	5/2010	Loth	D10/32
D623,541	S	*	9/2010	Loth	D10/32
D658,518	S	*	5/2012	Behling	D10/39

* cited by examiner

Primary Examiner — Lucy Lieberman

(74) *Attorney, Agent, or Firm* — Sughrue Mion, PLLC

(57) **CLAIM**

The ornamental design for a wristwatch, as shown and described.

DESCRIPTION

FIG. 1 is a perspective view of the front and right side of a wristwatch showing my new design;

FIG. 2 is a perspective view of a rear and left side thereof;

FIG. 3 is a front elevational view thereof;

FIG. 4 is a rear elevational view thereof;

FIG. 5 is a left side elevational view thereof;

FIG. 6 is a right side elevational view thereof;

FIG. 7 is a top plan view thereof; and,

FIG. 8 is a bottom plan view thereof.

1 Claim, 8 Drawing Sheets

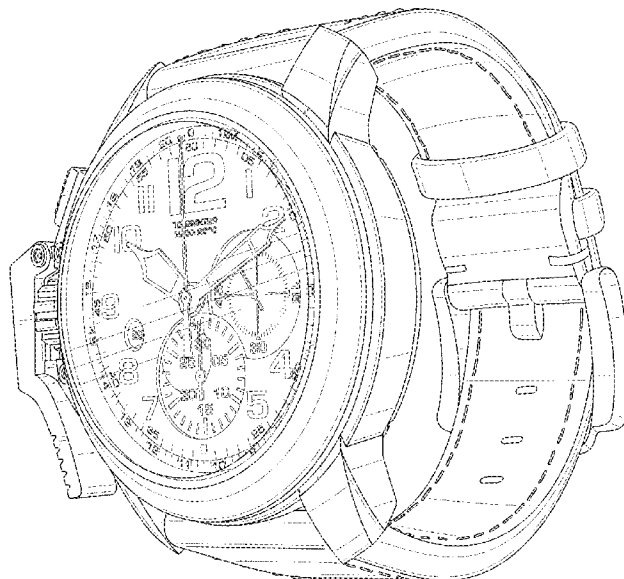




FIG. 1

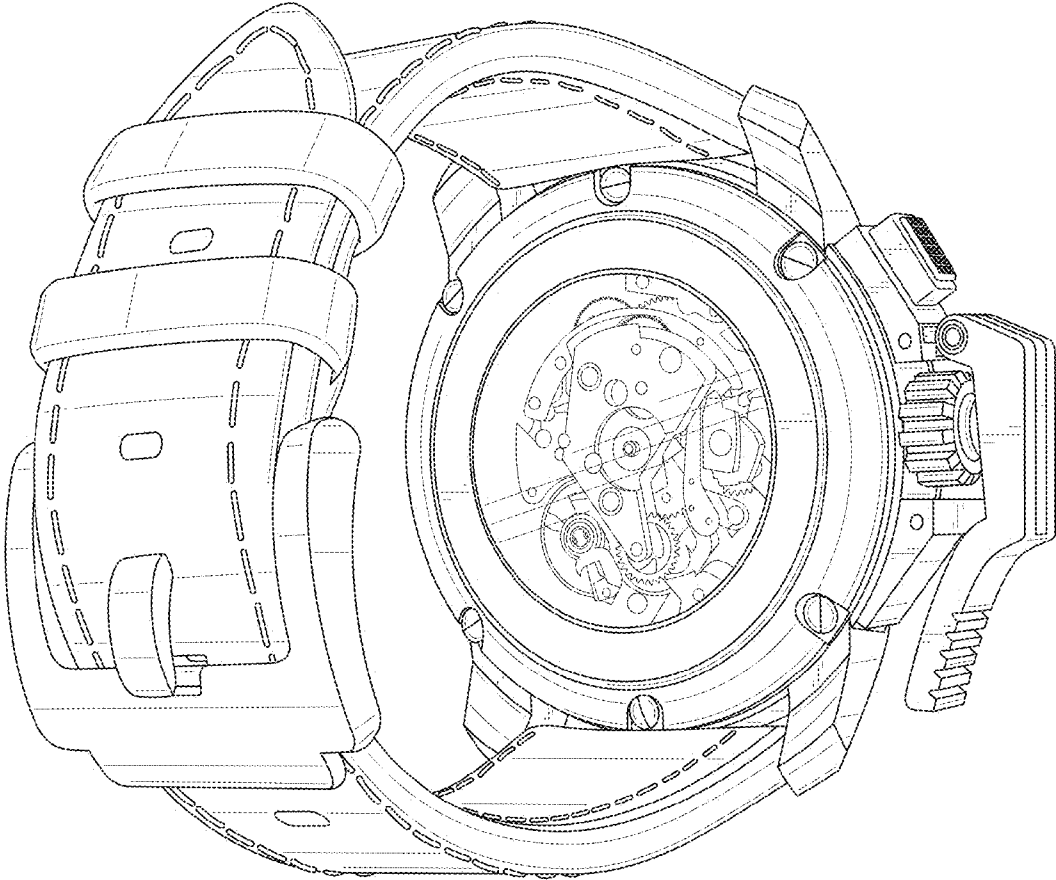


FIG. 2



FIG. 3

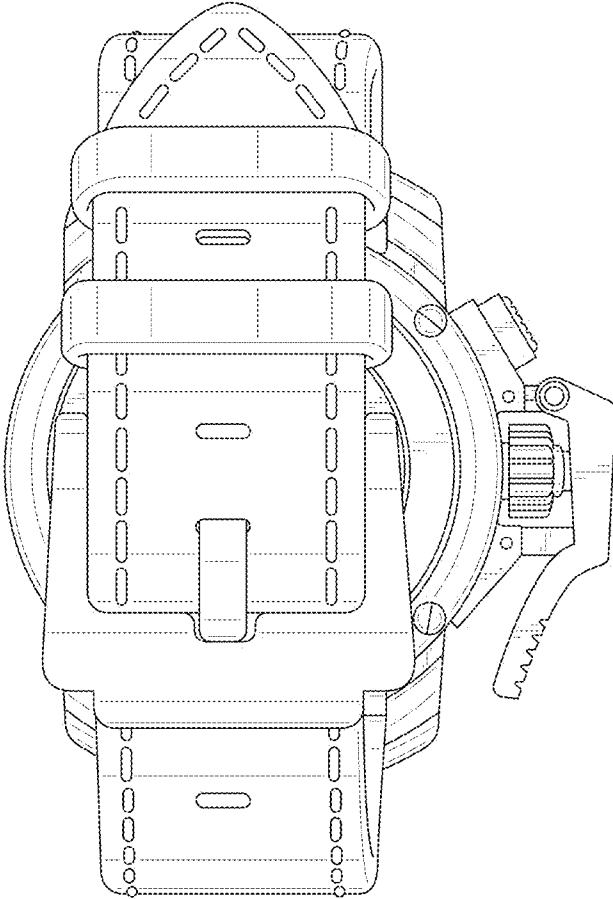


FIG. 4

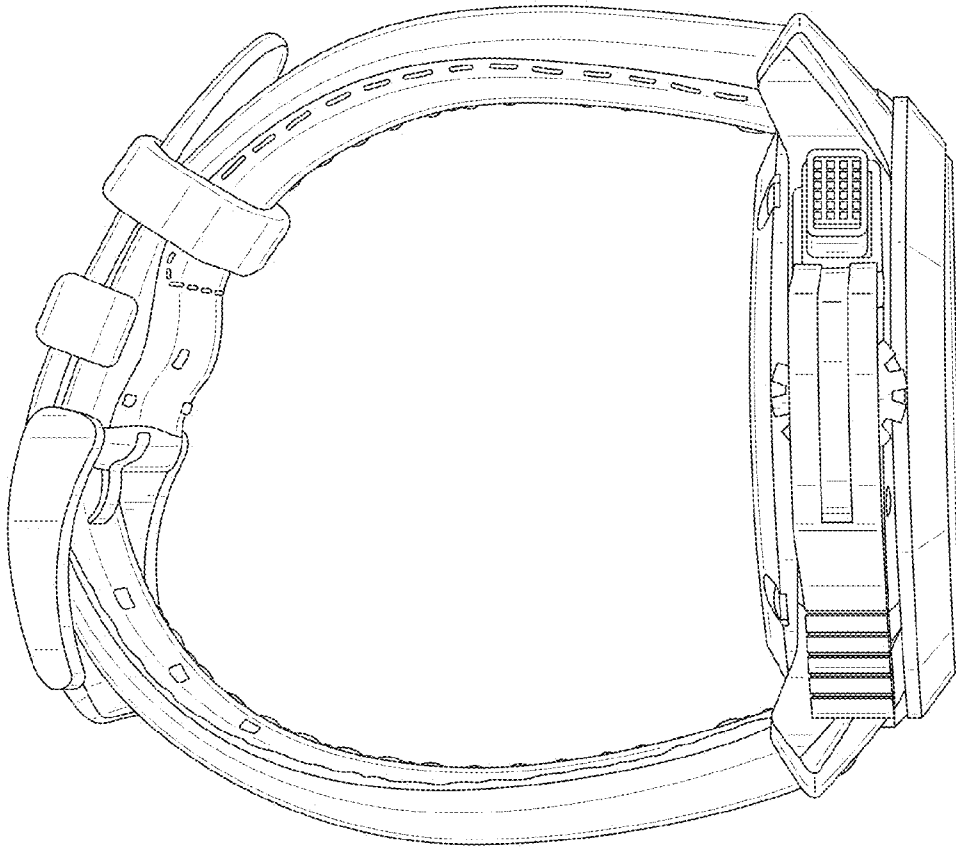


FIG. 5

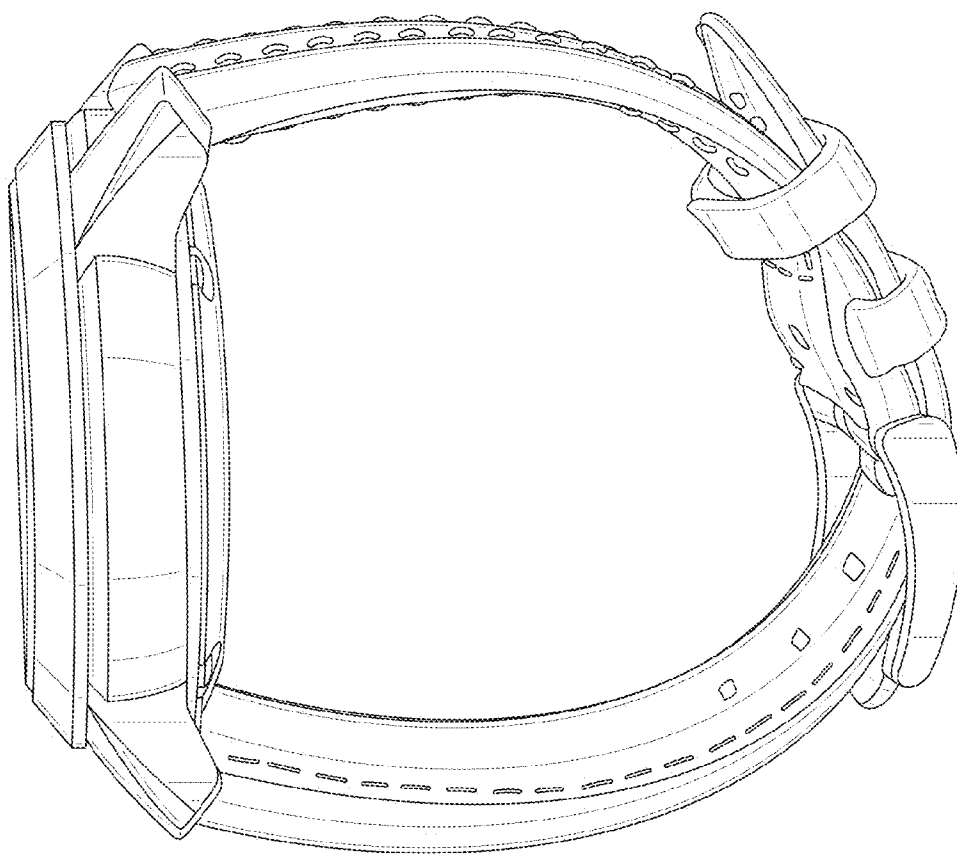


FIG. 6

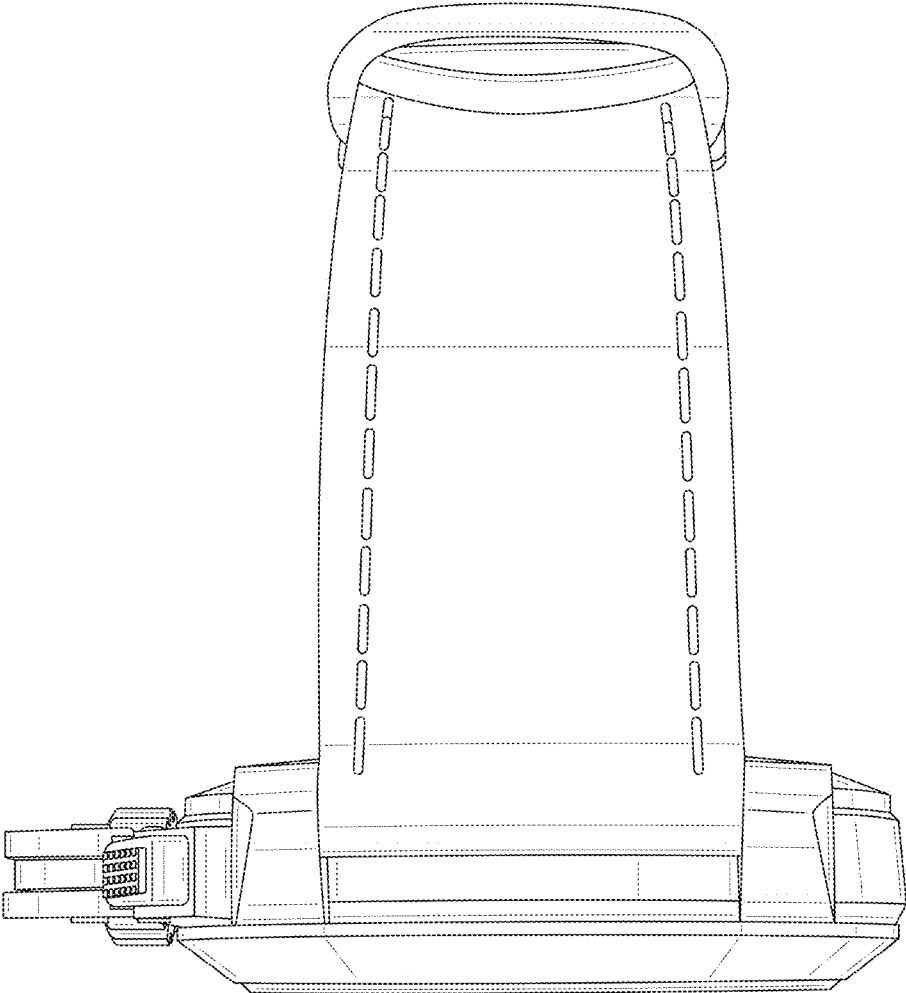


FIG. 7

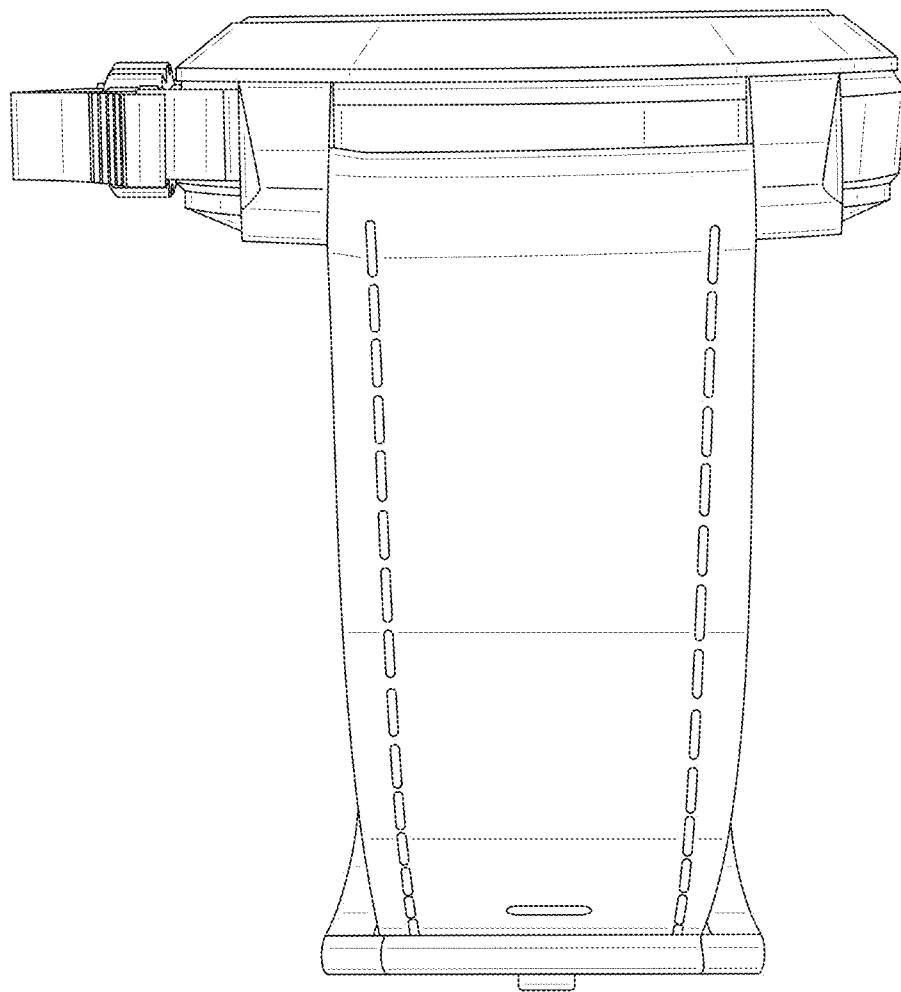


FIG. 8