



(86) Date de dépôt PCT/PCT Filing Date: 2014/03/13
 (87) Date publication PCT/PCT Publication Date: 2014/10/02
 (85) Entrée phase nationale/National Entry: 2015/08/27
 (86) N° demande PCT/PCT Application No.: US 2014/025768
 (87) N° publication PCT/PCT Publication No.: 2014/160076
 (30) Priorité/Priority: 2013/03/13 (US61/779,085)

(51) Cl.Int./Int.Cl. *E04F 15/024* (2006.01)
 (71) Demandeur/Applicant:
 THE IPE CLIP FASTENER COMPANY, LLC, US
 (72) Inventeurs/Inventors:
 PELC, ROBERT J., US;
 UPCHURCH, JAMES DEAN, US
 (74) Agent: RIDOUT & MAYBEE LLP

(54) Titre : SYSTEME D'ELEVATION A SOCLE
 (54) Title: PEDESTAL ELEVATION SYSTEM

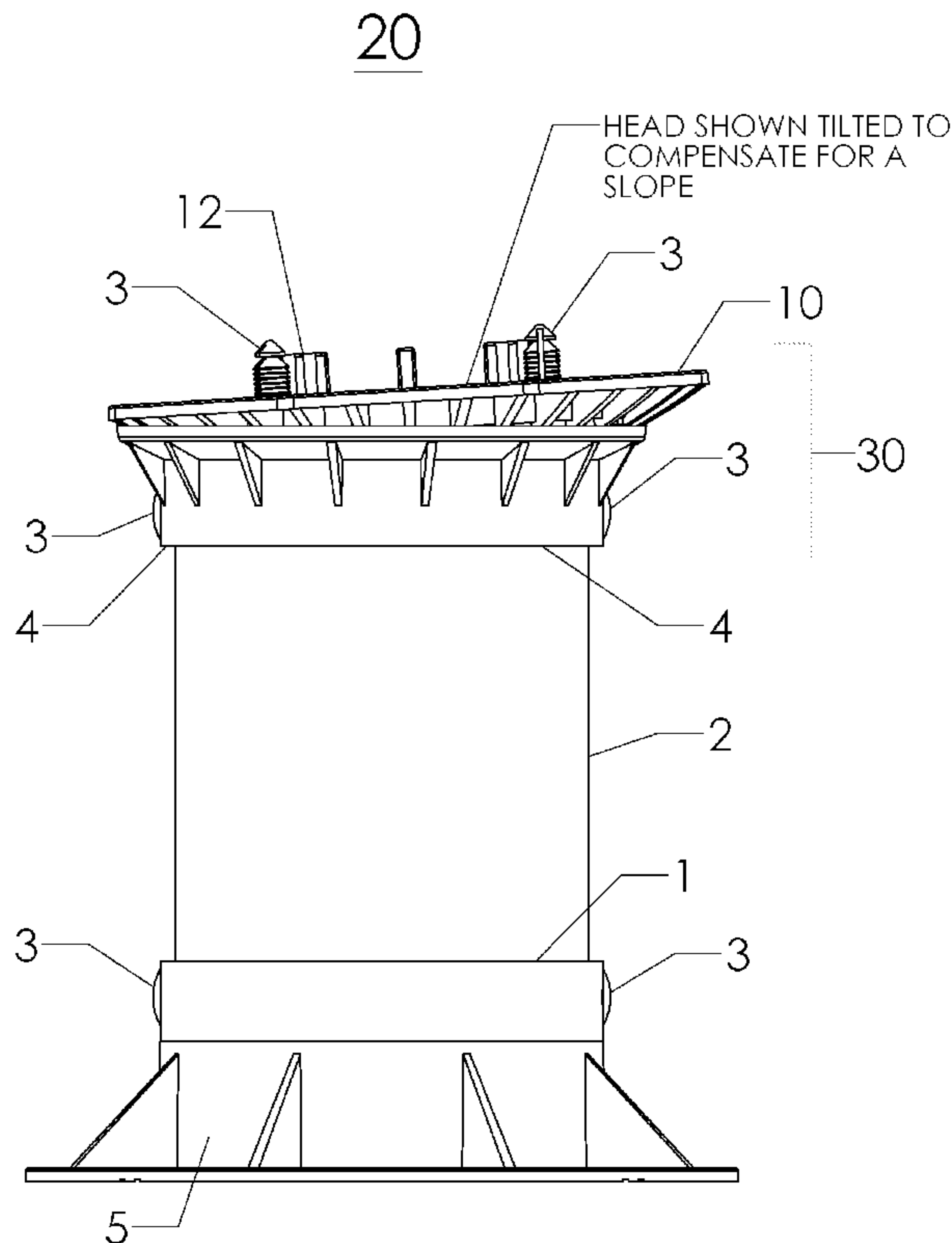


FIG. 1

(57) Abrégé/Abstract:

An elevating leveling pedestal having a base rotatably attached to a first coupling end to collectively create a height adjustment mechanism, a second coupling end non-rotatably attached to a first end of a non-threaded midsection of predetermined length

(57) **Abrégé(suite)/Abstract(continued):**

with a second end non-rotatably attached a head assembly to support, secure, and level a surface installed over a non-sloping or sloping sub-surface. The head assembly comprising a support-head overlying and attached to a cap with either the support-head or the cap having a convex mating surface and the other having a concave mating surface making the support-head and the cap slidably re-positionable with respect each other along their mating surface resulting in the support-head being tiltable with respect to said cap from zero to seven degrees. A recess forming a bottomed-well in the support surface of the support-head for supporting a double-ended bushing to interact with locking devices.

(12) INTERNATIONAL APPLICATION PUBLISHED UNDER THE PATENT COOPERATION TREATY (PCT)

(19) World Intellectual Property
Organization
International Bureau(10) International Publication Number
WO 2014/160076 A1(43) International Publication Date
2 October 2014 (02.10.2014)(51) International Patent Classification:
E04F 15/024 (2006.01)(74) Agent: **COSTANZO, Patricia, M.**; P.O. Box 101, Elma,
NY 14052 (US).(21) International Application Number:
PCT/US2014/025768(81) Designated States (*unless otherwise indicated, for every kind of national protection available*): AE, AG, AL, AM, AO, AT, AU, AZ, BA, BB, BG, BH, BN, BR, BW, BY, BZ, CA, CH, CL, CN, CO, CR, CU, CZ, DE, DK, DM, DO, DZ, EC, EE, EG, ES, FI, GB, GD, GE, GH, GM, GT, HN, HR, HU, ID, IL, IN, IR, IS, JP, KE, KG, KN, KP, KR, KZ, LA, LC, LK, LR, LS, LT, LU, LY, MA, MD, ME, MG, MK, MN, MW, MX, MY, MZ, NA, NG, NI, NO, NZ, OM, PA, PE, PG, PH, PL, PT, QA, RO, RS, RU, RW, SA, SC, SD, SE, SG, SK, SL, SM, ST, SV, SY, TH, TJ, TM, TN, TR, TT, TZ, UA, UG, US, UZ, VC, VN, ZA, ZM, ZW.(22) International Filing Date:
13 March 2014 (13.03.2014)

(25) Filing Language: English

(26) Publication Language: English

(30) Priority Data:
61/779,085 13 March 2013 (13.03.2013) US(71) Applicant: **THE IPE CLIP FASTENER COMPANY, LLC** [US/US]; 2111 58th Avenue E, Bradenton, FL 34203 (US).(84) Designated States (*unless otherwise indicated, for every kind of regional protection available*): ARIPO (BW, GH, GM, KE, LR, LS, MW, MZ, NA, RW, SD, SL, SZ, TZ, UG, ZM, ZW), Eurasian (AM, AZ, BY, KG, KZ, RU, TJ, TM), European (AL, AT, BE, BG, CH, CY, CZ, DE, DK, EE, ES, FI, FR, GB, GR, HR, HU, IE, IS, IT, LT, LU, LV, MC, MK, MT, NL, NO, PL, PT, RO, RS, SE, SI, SK, SM,

(72) Inventor; and

(71) Applicant : **PELC, Robert, J.** [US/US]; 6437 Indigo Bunting Place, Bradenton, FL 34202 (US).(72) Inventor: **UPCHURCH, James, Dean**; 5710 99th Avenue, Circle E, Parrish, FL 34219 (US).

[Continued on next page]

(54) Title: PEDESTAL ELEVATION SYSTEM

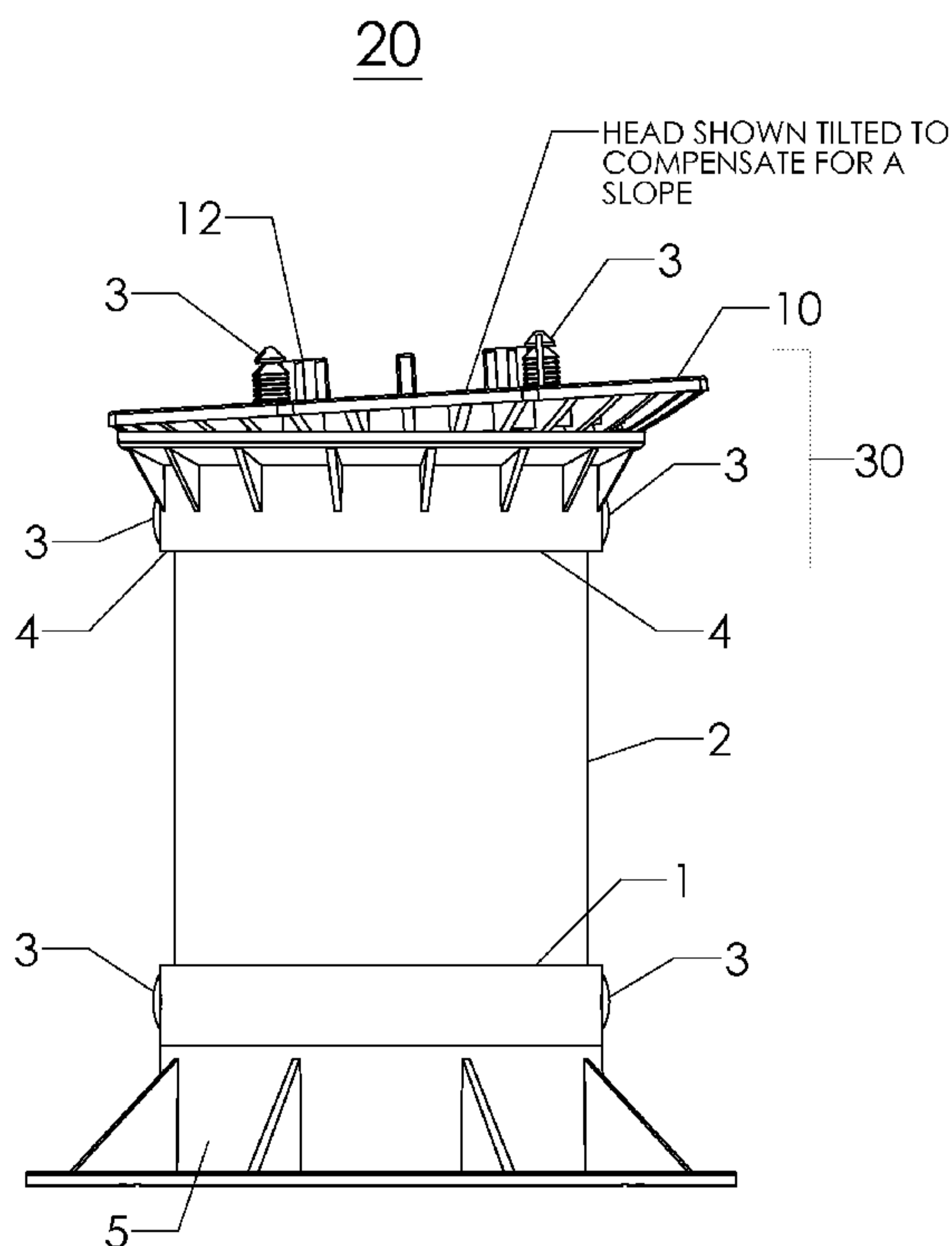


FIG. 1

(57) Abstract: An elevating leveling pedestal having a base rotatably attached to a first coupling end to collectively create a height adjustment mechanism, a second coupling end non-rotatably attached to a first end of a non-threaded midsection of predetermined length with a second end non-rotatably attached a head assembly to support, secure, and level a surface installed over a non-sloping or sloping sub-surface. The head assembly comprising a support-head overlying and attached to a cap with either the support-head or the cap having a convex mating surface and the other having a concave mating surface making the support-head and the cap slidably re-positionable with respect each other along their mating surface resulting in the support-head being tiltable with respect to said cap from zero to seven degrees. A recess forming a bottomed-well in the support surface of the support-head for supporting a double-ended bushing to interact with locking devices.

WO 2014/160076 A1

WO 2014/160076 A1



TR), OAPI (BF, BJ, CF, CG, CI, CM, GA, GN, GQ, GW, — *with amended claims (Art. 19(1))*
KM, ML, MR, NE, SN, TD, TG).

Published:

— *with international search report (Art. 21(3))*

PEDESTAL ELEVATION SYSTEM

CROSS-REFERENCE TO RELATED APPLICATIONS

This is a Non-Provisional Application of Provisional Application No. 61/779085 filed March 13, 2013.

STATEMENT REGARDING FEDERALLY SPONSORED RESEARCH OR
DEVELOPMENT
Not Applicable

REFERENCE TO SEQUENCE LISTING, A TABLE OR A COMPUTER PROGRAM
LISTING COMPACT DISK APPENDIX
Not Applicable

BACKGROUND

[0001] The present invention relates generally to a device and a method for supporting a structure above a fixed surface, and more particularly, to a height and slope adjustable pedestal device made using a single length of unthreaded piping, the rotatable device base having minimal surface threading, and the device head able to be locked in a zero or non-zero slope for supporting a structure above a fixed surface, and the method of using such a device.

[0002] The background information discussed below is presented to better illustrate the novelty and usefulness of the present invention. This background information is not admitted prior art.

[0003] Elevating pedestal support devices are used, for example, when an elevated floor is required, such as when wiring, water pipes, and/or heating and cooling piping must be installed between a floor and sub-surface, or in many instances for deck installations. Floors supported by pedestals, are often referred to as pedestal floors. The supporting pedestals are uniformly distributed over a sub-surface to cooperate in supporting floor panels such as pavers or decking boards. The sub-surface may be a horizontally level concrete floor, a roof, or any other surface on top of which it is desired to locate an elevated floor. For these uses the elevating support pedestals need only be height adjustable. Substrates, however, are often not horizontal, such as roof surfaces that are generally sloped at a given angle from the horizontal for the purpose of draining rainfall and melting snow and ice. In these instances, in order to provide for

the installation of a horizontally flat floor over a sloping sub-surface, the support pedestals need to be both height and slope adjustable.

[0004] Elevated deck construction, especially on sloped roofs, is gaining in popularity. Elevated deck floors often are made of deck-tiles, supported and connected by an array of pedestals. A deck tile typically consists of a 24"x24" square assembly of deck boards that are used primarily for patios and rooftop lounge areas. It is these deck-tiles that must be installed over and elevated up from a non-level roof surface to create a new, level walking deck surface, or optionally a sloped ramped surface.

SUMMARY

[0005] The present inventive concept is to provide height and slope adjustable pedestals that are strong, can be securely locked in a sloped or non-sloped position to securely maintain their height and slope, are cost effect, readily available, and easy to install. To make his concept a reality, the present Inventor developed a set of inventive principles to provide devices to support and attach a level walking surface over a first level or non-level sub-surface.

[0006] For the purpose of fully illustrating the inventive principles, one exemplar pedestal device is presented herein and referred to as a pedestal elevation system for the installation of decking tiles over level or non-level surfaces. As mentioned above, deck-tiles are typically a 24"x24" square assembly of deck boards. The pedestal elevation system, as taught herein, securely connects such deck-tiles to each other as well as to the surface over which the deck-tiles are being installed and ensures that the newly installed deck-tiles, regardless of being installed either on a flat or a sloping surface of a pitched roof, present a level floor surface.

[0007] The leveling, elevating pedestals include a rotatable means that consists of a threaded pedestal base that is rotatably attached to a threaded first end of a coupling, whereas the combination provides for each pedestal to be independently height adjustable, that is, each pedestal is easily adjusted to a specified height and can be rapidly and easily raised or lowered relative to the sub-surface for fine adjustments. A non-threaded second end of the coupling supports and is non-rotatably fastened to a non-threaded first end of a midsection of a predetermined length. A non-threaded

second end of the midsection is not-rotatably attached to and supports a lockable, leveling (tilting) support-head, thus creating a pedestal that is able to compensate for any sloping or uneven surfaces over which deck-tiles are being installed as it is connecting deck-tiles to each other at their corner sites. This design provides for each pedestal to independently support each deck tile, as required (described in more detail below). One pedestal can provide support for and attach the intersecting corners of up to four deck-tiles. Each pedestal, once completely installed and tightened in place, using a tightening bolt, secures the surface it is supporting. However, the pedestal can be easily and rapidly accessed to make any required adjustments by simply loosening the tightening bolt. Additionally, if desired, one skilled in the art would be able to adapt the pedestal to be used in its reverse orientation.

[0008] To ensure that the surface being installed, such as a surface made-up of deck-tiles, is secured from being up-lifted from its subsurface, due, for example, to a wind storm, each elevating pedestal has a platy locking element as part of the pedestal that, as the tiles are laid, is positioned within grooves pre-cut into the side of the deck-tiles. An example of such a locking element is a plastic coated metal washer with a distinctive property. The washer, according to the inventive concept, is caused to have a narrow elongate slot emanating from the center of the washer through to its perimeter, thus having its length that of a radius of the washer. This slot is unlike the slot of any other similar device. Other devices offer a “pac-man like”, that is, a large-angle cut-out on each washer that can be described as a notch intersecting the washer perimeter to its center point of from approximately 105° to 130° wide. A notch of this width necessarily greatly decreases the surface area of the washer that, in turn, both greatly decreases the strength of the washer’s hold-down capacity and provides much less surface to support each deck tile. In addition, getting the washers with the large-area slot into aligned engagement with the corners of each of the deck-tiles the pedestal is supporting requires time consuming adjustment of the washer to assure that as much surface of the washer as possible is supporting a deck-tile. In comparison, the width of the elongate slot of the washer of the present invention is limited to being only wide enough to have the slot fit about the stem of the center tightening bolt, but not so wide as to fit about the head of the bolt. This design makes it possible for the washer to offer

maximum hold-down strength and maximum surface area to more fully engage with the corner cut-outs of all four deck-tiles. Additionally, the narrow elongate slot provides for the washer to be simply slid into, and out of, engagement with the deck-tiles.

[0009] There is a center tightening bolt combined with a double-ended, multi-purpose bushing that is used to tighten the head and the uplift fastener in place. The tightening bolt locks the tiltable, leveling head either in a level horizontal position or in a tilted position, which is a unique feature. There is also a locking washer (as discussed in more detail below) that serves to secure the tiltable leveling pedestal head in place. Some presently available devices provide for limited degrees of leveling, but they cannot be locked into infinitely varied angled positions as can the present invention. The leveling head of the present invention is infinitely adjustable between a zero percent slope and an approximate seven percent slope. The present invention provides locking means for the leveling head to be a lockable stationary head by, in the example as shown, the use of a zero compensator washer (zeroing plug) that can rapidly and easily lock the leveling head to zero degrees. Designing the leveling head as a stationary head accurately zeroed provides the additional advantage of decreasing the installation time on top of level surfaces and, also, securely locks the head in the zero degree position, where currently available adjustable heads may easily slip out of the zero degree position. When installation is on a sloped surface, the zero compensator washer is removed, the head tilted to the required slope, and then locked into that position using the locking washer. The head is locked into position from the top side by using the center tightening bolt that is tightened into double-ended, multi-purpose bushing bolt mechanism. As mentioned, the tightening bolt fastener secures the multi-purpose bushing in place at the desired slope and also further secures the deck-tiles to the head. The leveling head also includes four tabs, each positioned at right angles to its neighbor tab, for the correct spacing of the elevated surface pieces being installed or, alternatively, the upper surface of the head is fitted with a joist support for the installation of elevated joists.

[0010] To elevate the pedestal to various heights ranging up to about 30 inches above the subsurface over which the deck-tiles are being installed, the example of the present invention illustrated herein uses predetermined lengths of unthreaded PVC pipe

as its mid-section (also referred to as its main pedestal support section) and, as explained above, in conjunction with the threaded coupling section and its receiving base provides for final, small scale adjustments. As described above, the threaded coupling section rotatably connects the main pedestal support section to the threaded base. In this example, the base is internally threaded to accept the externally threaded portion of the coupling section. Many of the devices presently available rely on all of their pipe sections being threaded in order to achieve a desired height. The present invention does include a threaded section that is employed for final, fine adjustments, but the main elevating and support section of the pedestal relies on lengths of custom cut unthreaded PVC pipe, for several reasons. Unthreaded PVC pipe provides added strength and rigidity over the currently available systems, as threaded elongate sections tend to have less strength, be less rigid, and thus, be wobbly. Moreover, unthreaded PVC pipe is readily available because such pipe can be found in most home stores ready to be cut to the desired length. The use of unthreaded PVC pipe also reduces cost, while creating a more rigid, stronger pedestal. The use of the unthreaded PVC pipe also improves installation time since it greatly reduces the number of threaded components which other devices require you to “gang” together to achieve the height required.

[0011] Additionally, if desired there is provided a self-leveling head with a joist support that includes a slide feature to permit joists of different widths to be securely fit therein.

[0012] Still other benefits and advantages of this invention will become apparent to those skilled in the art upon reading and understanding the following detailed specification and related drawings.

BRIEF DESCRIPTION OF THE DRAWINGS

[0013] In order that these and other objects, features, and advantages of the present invention may be more fully comprehended and appreciated, the invention will now be described, by way of example, with reference to specific embodiments thereof which are illustrated in appended drawings wherein like reference characters indicate like parts throughout the several figures. It should be understood that these drawings

only depict preferred embodiments of the present invention and are not therefore to be considered limiting in scope, thus, the invention will be described and explained with additional specificity and detail through the use of the accompanying drawings, in which:

FIG. 1 is a perspective side view of an example of a pedestal of the present invention.

FIG. 2 is a perspective oblique view of the pedestal, as shown in **FIG. 1**.

FIG. 3 is an exploded view of the pedestal, as shown in **FIGS. 1** and **2**.

FIG. 4A is a plan view of a pedestal of the present invention.

FIG. 4B is a section view of a pedestal taken along line A-A of **FIG. 4A**.

FIG. 4C is a close-up of area "C" as shown in **FIG. 4B**.

FIG. 5A is a perspective of an example of the invention in use.

FIG. 5B is a close-up view of the area "B" as shown in **FIG. 5A**.

FIG. 6 is an exploded view to illustrate an adapter.

FIG. 7 is a perspective view illustrating a joist support accessory.

FIG. 8 is an exploded view of the joist support accessory, as shown in **FIG. 7**.

FIG. 9 is another perspective view illustrating a joist support accessory.

FIG. 10 is a perspective view illustrating a joist support accessory in use.

[0014] A List of Reference Numbers and the Parts to which They Refer

- | | |
|-----------|---|
| 1 | Coupling. |
| 2 | Mid-section of PVC unthreaded pipe. |
| 3 | Fasteners. |
| 4 | Cap. |
| 5 | Base. |
| 6 | Locking washer. |
| 7 | Bolt. |
| 8 | Washer. |
| 9 | Zero compensator washer. |
| 10 | Tiltable support-head. |
| 11 | Double-ended, multi-purpose bushing. |
| 12 | Spacing tabs. |
| 14 | Adapter. |
| 13 | Uplift protection washer having a narrow elongate slot. |
| 15 | Tightening bolt or screw. |
| 17 | Stationary jaw. |
| 18 | Moveable jaw. |

- 19** Bolt.
- 20** Pedestal.
- 22A** Aperture centered in tiltable support-head **10**.
- 22B** Aperture centered in bottom of well **44**.
- 24** Aperture centered in cap **4**.
- 26** Aperture centered in locking washer **6**.
- 30** Leveling head assembly.
- 32** Top surface of tiltable support-head **10**.
- 34** Bottom surface of tiltable support-head **10**.
- 36** Top surface of cap **4**.
- 38** Bottom surface of cap **4**.
- 43** Attachment apertures.
- 44** Well suspended downward through the surface of tiltable support-head **10**.
- 50** Top rim of the mid-section **2**.
- 60** Joist support.

[0015] It should be understood that the drawings are not necessarily to scale. In certain instances, details which are not necessary for an understanding of the present invention or which render other details difficult to perceive may have been omitted.

DETAILED DESCRIPTION

[0016] Referring now, with more particularity, to the drawings, it should be noted that the disclosed invention is disposed to embodiments in various sizes, shapes, and forms. Therefore, the embodiments described herein are provided with the understanding that the present disclosure is intended as illustrative and is not intended to limit the invention to the embodiments described herein.

[0017] The present inventive concept provides the principles that are used to make a leveling support pedestal system that is height adjustable and has a locking/tilting leveling head. The pedestal levels, supports, and holds-down. That is, besides supporting and leveling the elevated surface that is being installed, the system is designed to secure the elevated surface against up-lift, from wind, for example. The inventive concept requires that the pedestal employs a single piece of non-threaded piping of predetermined length to provide the required elevated height. The example described herein uses inexpensive, readily available, strong and rigid PVC piping, although any piping that fills this need is contemplated within the scope of the invention. The principles provide for a leveling pedestal that is also able to secure the leveled,

elevated surface deck-tiles, and the like, to a sub-floor that is at either a zero or a non-zero slope. To make final, small scale adjustments, rotatable means provided by the interaction of the base of the pedestal and a coupling section, provide for the pedestal to be raised or lowered vertically, as needed. To provide its leveling action, that is to compensate for sloped surfaces, the pedestal has a tilting head. For those cases where the slope of the sub-surface is zero degrees, the pedestal includes a zero compensator washer (zeroing plug) which locks the head of the pedestal to zero degrees. If the sub-surface is sloped, the zero compensator washer is removed so that the head can be tilted to the required slope of from zero degrees up to approximately seven degrees and then locked. In the example illustrated, the head is locked in position from the top of the pedestal by using the center tightening bolt/bushing-bolt mechanism as, in the example illustrated, comprises a washer having a narrow elongate slot, a bolt or the like, a double-ended multi-purpose bushing, and one or two locking washers. This fastener mechanism both secures the tiltable head in place at the desired slope and also secures the deck-tiles to the leveling head. On the supporting surface of the leveling head are four spacing tabs, each at a 90° orientation to its neighboring tabs, to space the deck-tiles being installed. The inventive principles also contemplate the pedestal used in a variety of different applications including variable height, sound insulation, and easing of maintenance. The self-leveling head can be, alternatively, provided with a joist support having a slide feature to permit joists of different widths to be securely fit therein. The center tightening bushing-bolt fastener mechanism also serves as an adapter for joist bracket accessory attachments, while maintain its ability to lock the angle of the head. An important part of the inventive concept is the fact that, if required, the entire pedestal may be adapted to be used in reverse, that is, literally upside down. When the pedestal is used in this orientation, it is the tiltable head that is securely attached to the sub-surface, and it follows then that what was the bottom side of the base would, in the reverse position, act to support the surface that is being installed. If desired, the pedestal could still be tightened from the top simply by have the bolt's position changed to the base instead of the head.

[0018] In more detail, the elevating leveling pedestal, used herein to illustrate the inventive concept, is made up of a threaded base rotatably attached to and supporting a

threaded first end of a coupling. The base and coupling collectively provide a height adjustment mechanism for final small-scale adjustments. A second non-threaded end of the coupling is non-rotatably attached to, and supports, a first end of a non-threaded midsection of a pre-determined length. A second end of the midsection is non-rotatably attached to and supports a head assembly, thus providing a pedestal that supports, secures, and levels a surface being installed over a non-sloping or sloping sub-surface. The head assembly includes a support-head having a support surface overlying and attached to a cap having a centered cap aperture therethrough. Either the support-head or the cap have a convex mating surface while the other has a concave mating surface providing for said support-head and said cap to be slidably re-positionable along their mating surfaces. The support-head is, thus, tiltable with respect to the cap and it will be shown, is lockable between zero degrees and approximately seven degrees of tilt. The support-head further includes a centered recess, referred to as a recess aperture, in which is a bottomed-well having a centered-bottom-well aperture. Detachably attaching the support-head to the cap, is an assembly comprising a double-ended bushing having a first end and a second end, that is inserted, from the support-head's support surface down into the bottomed-well of the support-head, while from the bottom surface of the cap, an attachment device, such as a headed bolt, is inserted through an aperture of a locking washer and then up through an aperture in the cap to continue up through the bottom-well aperture until it securely engages with said second end of said double-ended bushing. Once the support-head has been tilted, as required, by slidably re-positionable the support-head along the mating convex/concave surfaces of the support-head and the cap, the support-head can be securely locked at the desired angle, for example, by inserting a hex-wrench into the hex-accepting first end of the bushing aperture and turning the wrench until the desired amount of locking tightness is achieved effectively locking said support-head in a tilted position from zero to approximately seven degrees. Depending on the tolerance in the apertures, the degrees of tilt may extend pass seven degrees to an amount measured in degree minutes. When there is no slope that requires compensation, there is available a zero compensator washer that rapidly and easily locks the support-head at zero degrees. The pedestal further comprises a washer having a narrow elongate slot emanating from

the washer's center to its edge, with the slot being of a width no wider than that required for the slot to just fit about the stem of a center-tightening device, such as a bolt or a screw, that extends through the center –most portion of said slot into said double-ended bushing. As a raised surface, such as decking tiles, is installed over a sub-surface, pre-made slots in the sides of the decking tiles accept the slotted washer. The washer, thus, provides a hold-down preventing the raised surface from being lifted, by the wind, for example. The support-head further comprises, on its support surface, spacer tabs that space the deck-tiles or said deck-boards being installed. The spacer tabs are either molded with said support-head or are positioned into slots molded into said support-head, as required. In the case where the spacer tabs are molded with support-head, they are available scored making them easily removed if not needed. In most cases, the spacer tabs are each positioned at a 90° orientation to a neighboring tab. Additionally, the support surface of the support-head is available provided with a joist support having a slide feature to permit joists of different widths to be securely fit therein. The structure of the pedestal is designed to allow the pedestal to be easily adapted to be used in reverse orientation.

[0019] Turning now to the drawings, **FIG. 1**, a perspective view, illustrates one example of pedestal device **20**. Pedestal device **20** comprises flanged cylindrical threaded base section **5** that in this example is rotatably attached to a threaded first end of, and supports, coupling **1** that, in turn, is connected to and supports a first end of a pre-determined length, non-threaded, mid-section **2**, which is the major, load-bearing support of pedestal **20**. Mid-section **2** offers greater strength and rigidity than currently available systems by being manufactured from a single, non-threaded section of PVC piping that is low cost, standard, and readily available. The increased rigidity and strength of the mid-section of the present invention is due to the fact that it consists of a single unit of non-threaded PVC pipe **2** that is precut to the length required. This means that the walls of the mid-section are not thinned by the incisions required by a threaded surface or by any connecting divisions that would be required for a multi-piece supporting mid-section. To provide for height adjustment, presently available devices rely on multiple threaded units to build up to the height required. Both the connection areas between the various units and the incised-threaded walls of the units contribute to

reducing the rigidity and strength of these supports, while increasing the overall unit cost. A second end of mid-section **2** non-rotatably attached to, and supports, cap **4** on top of which sits tiltable support-surface head **10**. In **FIG. 1** tiltable support-surface head **10** is illustrated in a tilted position. Cap **4** and tiltable support-surface head **10** together form leveling head assembly **30**. The inventive principles provided by assembly **30** include the ability of the pedestal to be tilted to accommodate the requirements of the elevated surface being installed on a non-level sub-surface along with the ability of the head to be locked into any angle between the horizontal up to an angle of approximately seven degrees. Additionally, the upper surface of head **10** supports spacing tabs **12** for the correct spacing of the elevated surface pieces being installed or, alternatively, the upper surface of head **10** supports a joist support for the installation of elevated joists, as illustrated in **FIG. 9**. Moreover, assembly **30** is provided with uplift protection washers **13** (illustrated in **FIG. 2**) to protect the elevated surface from wind uplift. Assembly **30** can be a stand-alone feature of the present invention in that it can be used as described, or can be used with other, different pedestals, such as with pedestals that depend on threaded intersections and midsections to obtain the pedestal height required.

[0020] **FIG. 2**, a perspective, oblique view of pedestal **20**, more clearly illustrates the top surface of tiltable support-head **10** and the top surface of base **5**. On the surface of tiltable support-head **10** are shown fasteners **3**, spacing tabs **12**, the top end of multi-purpose bushing **11**, washer **13** having a slot that is narrow and elongate, and tightening bolt **15** going through the center of double-ended bushing **11** and narrowly slotted washer **13**. Also illustrated are attachment apertures **21** through the plate-like part of base **5** for attachment of the pedestal to the subsurface.

[0021] **FIG. 3**, an exploded view of the pedestal, **FIG. 4B**, a cross-section view, and **FIG. 4C**, illustrate the construction of pedestal **20**. In the example shown, base **5**, with its flanged base, is internally threaded to receive the threads on a first end of coupler **1**. It is to be understood that base **5** could have external threading, while the mating end of coupler **1** could be externally threaded. It should be noted that in this example coupler **1** and base **5** each utilize six mating threads per inch to provide for fine-tuning the height of the unit. Even though the threading is kept to a minimum to

enhance the strength of the base, in this example, base **5** is additionally strengthened by a series of spaced vertical flanges about the base. A second, not-threaded, end of coupler **1** is structured to couple with a first end of non-threaded mid-section **2** of a predetermined length. The length of mid-section **2** is determined by the specified height for each project. In the example shown, the first end (bottom end in this example) of mid-section **2** serves as the male couple part and the second end (top end in this example) of coupler **1** serves as the female accepting couple part, but the inventive principles also contemplate the reverse coupling situation. In any case, once the top section of coupler **1** is non-rotatably coupled with the bottom area of mid-section **2**, the two sections are securely attached to each other using fasteners **3** that in this case are Christmas tree or automotive type fasteners, but any fasteners that will work as intended are contemplated by the invention. The rotating, tiltable, support-head assembly **30** (better appreciated in **FIG. 1**) is designed to sit on, and to be attached to, the top rim **50** of mid-section **2**. The two basic components of adjustable leveling support-head assembly **30** comprise flanged cap **4** and tiltable support-head **10**. Adjustable leveling support-head assembly **30** compensates for the difference in slope between the sub-surface and the surface being installed and supported by an array of pedestals **20**. Downward facing surface **34** of tiltable support-head **10**, in this example, is convex so as to be supported by and slidably re-positionable on the concave surface **36** of cap **4**. As is known in the art, the convex concave relationship could be reversed, that is cap **4** could have the convex surface and tiltable support-head **10** the concave shaped surface, to obtain the same result. Both of these relationships are contemplated by the inventive concept. The center area of tiltable support-head **10** is recessed forming bottomed-well **44** within recess aperture **22A**. Through the bottom of well **44** there is centered well-bottom aperture **22B**. Cap **4** has centered cap aperture **24** therethrough. To detachably, but securely, attach tiltable support-head **10** to cap **4**, double-ended bushing **11** is placed inside bottomed-well **44** with headed-screw **7**, or bolt, inserted up through aperture **26** of locking washer **6** to continue through washer **8** that is positioned within aperture **24** and to further continue through centered aperture **22B** in the bottom of well **44** and into multi-use bushing **11**. Adjustable leveling support-head assembly **30** is now ready to be placed about and secured to top-rim **50** of mid-

section **2**. Adjustable leveling support-head **30** is secured to top-rim **50** of mid-section **2** using fasteners **3** positioned through fastening apertures **43**. Tilttable support-head **10** is now ready to be tilted to compensate for the angle of the sub-surface. Enlarged aperture diameters make possible the tilting of tilttable support-head **10** between 0 and approximately seven degrees. Tilttable support-head **10** is simply adjusted until it is set at the desired angle of between 0 and approximately seven degrees. Tilttable support-head **10** is then locked at the desired angle by inserting a hex-wrench into the, in this example, hex-accepting tightening bushing aperture and turning the wrench until the desired amount of locking tightness is achieved. The ability to both position and lock the tilttable head at any infinite position of between 0 and approximately seven degrees while having uplift protection is not, to the best of Applicant's knowledge, achievable by any other pedestal device. To achieve any final height adjustment that may be required base **5** may be rotated to increase or decrease the height, as required. When pedestal **20** is being positioned on a horizontally flat sub-surface zero-compensating washer **9** (see **FIG. 3**) is inserted between locking washer **6** and lower surface **38** of cap **4**. The use of zero-compensating washer **9** provides for rapidly achieving an accurate zero-tilted tilttable head providing for a quicker setup. Additionally, the fact that zero-compensating washer **9** can be locked when in a zero degree angle presents an otherwise unavailable rigidity where other adjustable, but not lockable, heads may easily slip out of the zero degree position. Tilttable support-head **10** can receive and support four spacer tabs **12** if desired for spacing of deck-tiles being installed. In the example taught herein, the means for receiving and supporting the spacer tabs are slots molded into tilttable support-head **10**. It should be understood that any means that will receive and support the spacer is contemplated by the inventive principles. Additionally, it should be understood that head **10** is also available with the spacers molded as part of the head. In this case, when one or more such spacers are not required, a spacer may be removed by simply bending it about the scoring provided to easily and rapidly remove the spacer.

[0022] **FIG. 4A**, a plan view, illustrates how pedestal **20** of the present invention provides uplift protection to the surface being installed. Plastic-coated metal hold-down washer **13**, having a narrow slot only as wide as tightening bolt **15** extending from the

washer's center to its outer edge, provides a maximum amount of surface area that is to be inserted into the pre-cut notches of the surface material being installed. It is this surface area that provides the means to hold-down the surface being installed. Note, that although washer **13** is a plastic-coated washer in the example illustrated, the washer can be of any material that provides the function required. It should be noted that the hold-down washer of the present invention does not need to be positionally rotated in order to have the washer engaging all four intersecting corners of the deck-tiles being installed, as is required by others who use a washer having a larger cut-out area. Thus, with no rotation required, hold-down washer **13** is simply slid into place. Washer **13** is used in conjunction with headed tightening bolt **15** and double-ended bushing **11**. First tightening bolt **15** is inserted into, in this example, a hex-accepting bushing aperture and then the narrow elongate slot of washer **13** is positioned about bolt **15**. A deck-tile panel is then placed on a pedestal that has been so equipped with washer **13** positioned about bolt **15**, so that, as shown in **FIGS. 5A** and **5B**, each deck-tile accepts approximately one-quarter of the of hold-down washer **13**. A quick turn of a tightening tool about tightening bolt **15** assures that hold-down washer **13** is securely in place to hold down the deck-tiles, thus providing up-lift protection for the newly installed deck-tiles. For ease of maintenance to infrastructure beneath the deck-tiles, or whatever other raised surface is installed using the present invention, tightening bolt **15** can be loosened and washer **13** can be slide out from the groove so that the deck-tiles can be removed and the work required performed beneath the raised floor. Once work is completed the deck-tiles can easily be reinstalled and the washer **13** slide back into place and tightened with tightening bolt **15**. Illustrated in **FIGS. 1 – 5B** projecting upward from the upward facing surface of head **10** is a set of four fasteners **3**. These four fasteners **3** may be used for both positioning the elevated surface being installed and for providing added protection against up-lift of the elevated surface. On the underside of the elevated surface being installed there may be, if desired, apertures spatially arranged for receiving fasteners **3**.

[0023] Clearly shown in **FIG. 6** are four tabs **12** on tiltable support-head **10** that are used for spacing of the deck-tiles. These four tabs can be individually removed if not needed. Also illustrated in **FIG. 6** is adapter **14**. If a shorter stack height for the

pedestal is required both mid-section **2** and coupling **1** can be exchanged for adapter **14**.

[0024] In some instances, raised deck floors are installed on an upper story, such as a roof top. This can happen often if entertainment space is needed but there is no land surface available, such as in a densely populated area. If the raised deck was installed over a living space where quiet was appreciated, the sound created by entertainment on the deck could be intrusive. In such an instance, it would be desirable to include sound insulation in the deck installation. With the present system this is easily accommodated by simply inserting a rubber sound-proofing pad between tiltable support-head **10** and the deck-tiles.

[0025] There are instances when the installation of a raised surface would be better served by installing the raised surface on support joists which are raised. Pedestal **20** accomplishes this by providing secure support for construction joists instead of floor tiles, or the like. Thus, the inventive principles provide for tiltable support-head **10** to be designed with accessory joist support **60** as illustrated in **FIGS. 7 - 10**. Tiltable support-head **10** is available with removable spacer tabs **12** or without spacer tabs. When molded with the spacer tabs scoring is placed on the spacers near the surface of head **10** for the purpose of removing any spacers not needed. Thus, tiltable support-head **10** can be used for additional purposes such as supporting joist support **60**. Joist support **60** consists of the two part component as shown in the example illustrated in **FIG. 7**. Stationary jaw **17** part of joist support **60** is attached to tiltable support-head **10** by securing bolt **19** through the attachment aperture of stationary jaw to double-ended, multi-purpose bushing **11**. Moveable jaw **18** is slidably attached to stationary jaw **17** to accommodate joists of various widths. Stationary jaw **17** attachment part has multiple attachment apertures so it can be used with much wider or double joists in efforts to keep each joist centered over tiltable support-head **10** to evenly distribute weight over pedestal system. **FIG. 8** illustrates the exploded parts of joist support **60**. **FIG. 7** illustrates accessory joist support **60** with moveable jaw **18** slid in toward stationary jaw **17**, while **FIG. 9** illustrates accessory joist support **60** with moveable jaw **18** slid a distance away from stationary jaw **17**. **FIG. 10** shows three

pedestals **20** each being used in combination with joist support **60** according to the principles of the present invention to support joist **40**.

[0026] The foregoing description, for purposes of explanation, uses specific and defined nomenclature to provide a thorough understanding of the invention. However, it will be apparent to one skilled in the art that the specific details are not required in order to practice the invention. Thus, the foregoing description of the specific embodiment is presented for purposes of illustration and description and is not intended to be exhaustive or to limit the invention to the precise form disclosed. Those skilled in the art will recognize that many changes may be made to the features, embodiments, and methods of making the embodiments of the invention described herein without departing from the spirit and scope of the invention. Furthermore, the present invention is not limited to the described methods, embodiments, features or combinations of features but include all the variation, methods, modifications, and combinations of features within the scope of the appended claims. The invention is limited only by the claims.

AMENDED CLAIMS

received by the International Bureau on 15 September 2014 (15.09.2014)

1. An elevating leveling pedestal, comprising:
 - a threaded base;
 - a coupling with a threaded first end and a non-threaded second end;
 - a non-threaded midsection of a specified length providing the required height, said midsection having a non-threaded first end and a non-threaded second end, and
 - a leveling head assembly;said threaded base rotatably attached to said threaded first end of, and supporting, said coupling, said base and said coupling collectively creating a height adjustment mechanism for a pedestal,
 - said non-threaded second end of said coupling non-rotatably attached to said non-threaded first end of, and supporting, said midsection, with
 - said non-threaded second end of said midsection non-rotatably attached to and supporting said head assembly creating said pedestal, said pedestal structured to support, secure, and level a surface being installed over a non-sloping or sloping sub-surface.
2. The pedestal, as recited in Claim 1, wherein said head assembly further comprises
 - a single-body structured tiltable support-head having a support surface, and
 - a cap having a centered cap aperture,said tiltable support-head overlying and attached to said cap with a single attachment device within said centered cap aperture, with
 - one of said tiltable support-head and said cap having a convex mating surface and the other of said tiltable support-head and said cap having a concave mating surface making said tiltable support-head and said cap slidably re-positionable with respect each other along their mating surface resulting in tiltable support-head being tiltable with respect to said cap.
3. The pedestal, as recited in Claim 2, further comprising:
 - a recess centered in said support surface of said tiltable support-head,

said recess forming a bottomed-well and defining a tiltable support-head recess aperture, and

a centered bottom-well aperture through the bottom of said bottomed-well,

a double-ended bushing having a first end and a second end positioned within said bottomed well,

an attachment device, and

a locking washer,

said attachment device and said locking washer enabling detachable attachment of said tiltable support-head to said cap when said tiltable support-head having said double-ended bushing positioned within said bottomed-well is positioned over said cap, and said attachment device is inserted through said locking washer and through said centered cap aperture into and fixedly engaging with said second end of said double-ended bushing.

4. The pedestal, as recited in Claim 2, wherein said tiltable support-head is tiltable with respect to said cap between zero degrees and approximately seven degrees of tilt

5. The pedestal, as recited in Claim 4, wherein said tiltable support-head can be locked in an infinite number of tilt positions between zero degrees and approximately seven degrees.

6. The pedestal, as recited in Claim 4, wherein said first end of said double-ended bushing is structured to accept a tightening wrench so that when said tightening wrench is inserted into said first end of said double-ended bushing and turned in a tightening direction, said tiltable support-head is locked is a desired tilt angle.

7. The pedestal, as recited in Claim 2, further including a zero compensator washer that locks said support-head at zero degrees.

8. The pedestal, as recited in Claim 6, wherein said support-head further comprises:

a washer, and

a tightening device,

said washer having a narrow elongate slot emanating from the washer's center to its edge, said slot being of a width no wider than a width required for the slot to fit about a stem of said tightening device when said stem is inserted through said slot into said

first end of said double-ended bushing effectively locking said tightening device in place providing uplift protection to the surface being installed.

9. Said pedestal, as recited in Claim 1, wherein said surface is a raised flooring surface.

10. Said pedestal, as recited in Claim 9, wherein said flooring surface further comprises deck-tiles or deck-boards.

11. The pedestal, as recited in Claim 1, wherein said tiltable support-head further comprises spacer tabs on its support surface, said spacer tabs structured for spacing said deck-tiles or said deck-boards being installed.

12. The pedestal, as recited in Claim 11, wherein said spacer tabs are molded with said tiltable support-head or are positioned into slots molded into said tiltable support-head.

13. The pedestal, as recited in Claim 12, wherein said spacer tabs that are molded with tiltable support-head are scored making them easily removed if not needed.

14. The pedestal, as recited in Claim 11, wherein said spacer tabs are each positioned at a 90° orientation to its neighboring tabs.

15. The pedestal, as recited in Claim 2, wherein said support surface of said tiltable support-head is provided with a joist support having a slide feature, said slide feature structured to receive joists of different widths.

16. The pedestal, as recited in Claim 3, wherein the structure of said pedestal allows the pedestal to be adapted for use in reverse orientation.

17. The pedestal, as recited in Claim 11, further comprising a rubber sound-proofing pad between said pedestal and the deck-tiles forming a sound barrier.

18. An elevating leveling pedestal, comprising:

- a threaded base;
 - a coupling with a threaded first end and a non-threaded second end;
 - a non-threaded midsection of a specified length providing the required height, said midsection having a non-threaded first end and a non-threaded second end, and
 - a tiltable head assembly;
- said threaded base rotatably attached to said threaded first end of, and supporting, said coupling, said base and said coupling collectively creating a height adjustment mechanism for a pedestal,

said non-threaded second end of said coupling non-rotatably attached to said non-threaded first end of, and supporting, said midsection, with

said non-threaded second end of said midsection non-rotatably attached to and supporting said leveling head assembly creating said pedestal, said pedestal structured to support, secure, and level a surface being installed over a non-sloping or sloping sub-surface,

said leveling head assembly further comprising:

a single-body structured tiltable support-head having a support surface,

said tiltable support-head lockable in any an infinite number of tilt positions between zero degrees and approximately seven degrees, and

a cap having a centered cap aperture,

said support-head overlying and attached to said cap with a single attachment device within said centered cap aperture, with

one of said tiltable support-head and said cap having a convex mating surface and the other of said tiltable support-head and said cap having a concave mating surface making said tiltable support-head and said cap slidably re-positionable with respect each other along their mating surface resulting in said tiltable support-head being tiltable with respect to said cap.

19. An elevating leveling pedestal, comprising:

a threaded base;

a coupling with a threaded first end and a non-threaded second end;

a non-threaded midsection of a specified length providing the required height having a non-threaded first end and a non-threaded second end, and

a tiltable head assembly;

said threaded base rotatably attached to said threaded first end of, and supporting, said coupling, said base and said coupling collectively creating a height adjustment mechanism for a pedestal,

said non-threaded second end of said coupling non-rotatably attached to said non-threaded first end of, and supporting, said midsection, with

said non-threaded second end of said midsection non-rotatably attached to and supporting said leveling head assembly creating said pedestal, said pedestal structured to support, secure, and level a surface being installed over a non-sloping or sloping sub-surface,

said leveling head assembly further comprising:

a single-body structured tiltable support-head having a support surface, and a cap having a centered cap aperture,

said tiltable support-head overlying and attached to said cap with a single attachment device within said centered cap aperture,

said tiltable support-head lockable in any an infinite number of tilt positions between zero degrees and approximately seven degrees, with

one of said tiltable support-head and said cap having a convex mating surface and the other of said tiltable support-head and said cap having a concave mating surface making said support-head and said cap slidably re-positionable with respect each other along their mating surface resulting in said tiltable support-head being tiltable with respect to said cap, and

a recess centered in said support surface of said tiltable support-head,

said recess forming a bottomed-well and defining a tiltable support-head recess aperture, and

a centered bottom-well aperture through the bottom of said bottomed-well,

a double-ended bushing having a first end and a second end positioned within said bottomed well,

an attachment device, and

a locking washer,

said attachment device and said locking washer enabling detachable attachment of said tiltable support-head to said cap when said tiltable support-head having said double-ended bushing positioned within said bottomed-well is positioned over said cap, and said attachment device is inserted through said locking washer and through said centered cap aperture into and fixedly engaging with said second end of said double-ended bushing.

20. A method of making an elevating leveling pedestal, which comprises the steps of:

- providing a threaded base;
- providing a coupling with a threaded first end and a non-threaded second end;
- providing a non-threaded midsection of a specified length providing the required height having a non-threaded first end and a non-threaded second end, and
- providing a tiltable head assembly;

rotatably attaching said threaded base to said threaded first end of, and supporting, said coupling, said base and said coupling collectively creating a height adjustment mechanism for a pedestal,

non-rotatably attaching said non-threaded second end of said coupling to said non-threaded first end of, and supporting, said midsection, and

non-rotatably attaching said non-threaded second end of said midsection to and supporting said tiltable head assembly creating said pedestal, said pedestal structured to support, secure, and level a surface being installed over a non-sloping or sloping sub-surface,

providing said tiltable head assembly to further comprise:

- a single-body tiltable support-head having a support surface,
- said tiltable support-head lockable in any an infinite number of tilt positions between zero degrees and approximately seven degrees, and
- a cap having a centered cap aperture,

said tiltable support-head overlying and attached to said cap with a single attachment device within said centered cap aperture, and

having one of said tiltable support-head and said cap having a convex mating surface and the other of said tiltable support-head and said cap having a concave mating surface making said tiltable support-head and said cap slidably re-positionable with respect each other along their mating surface resulting in said tiltable support-head being tiltable with respect to said cap.

1 of 11

20

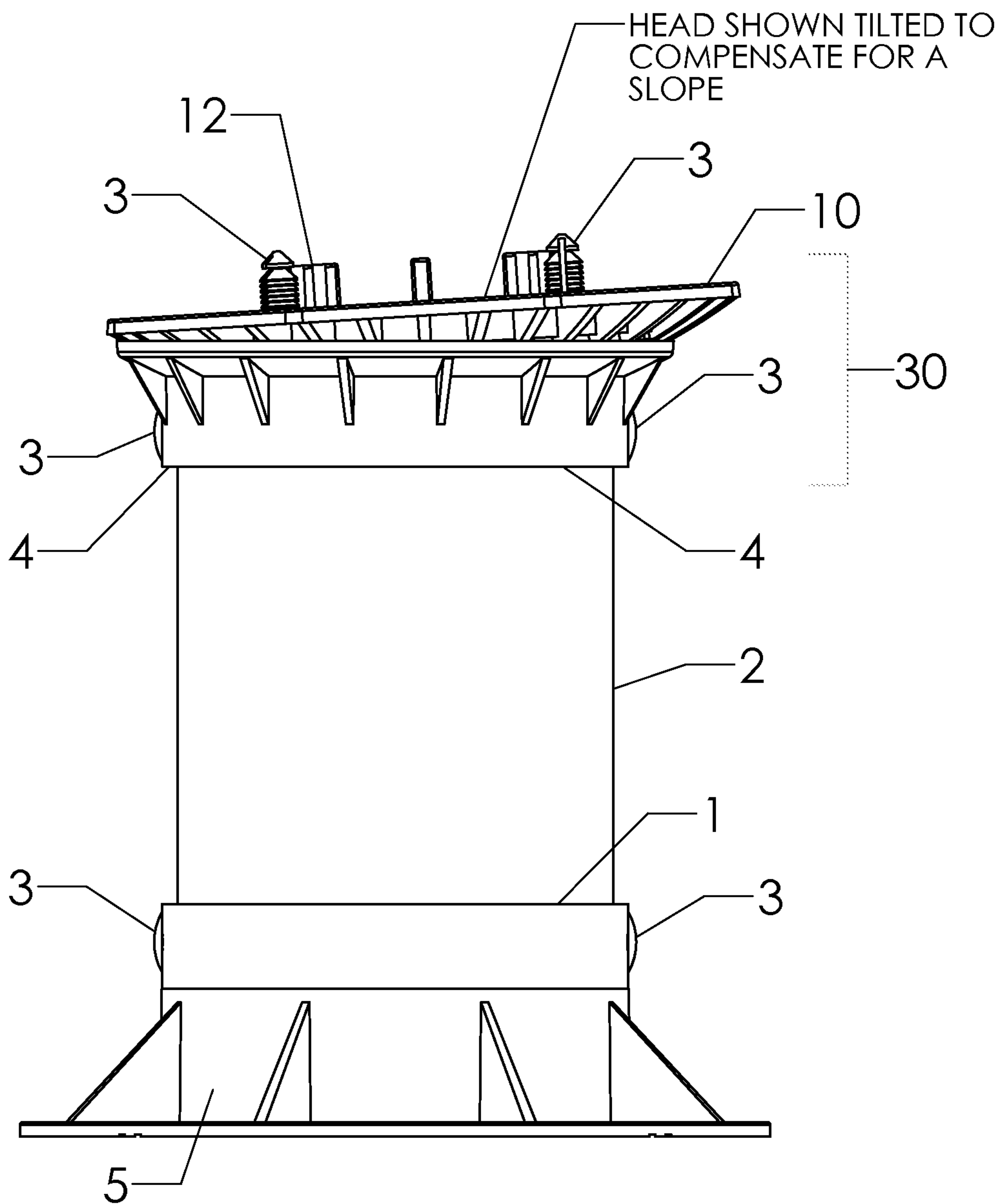


FIG. 1

2 of 11

20

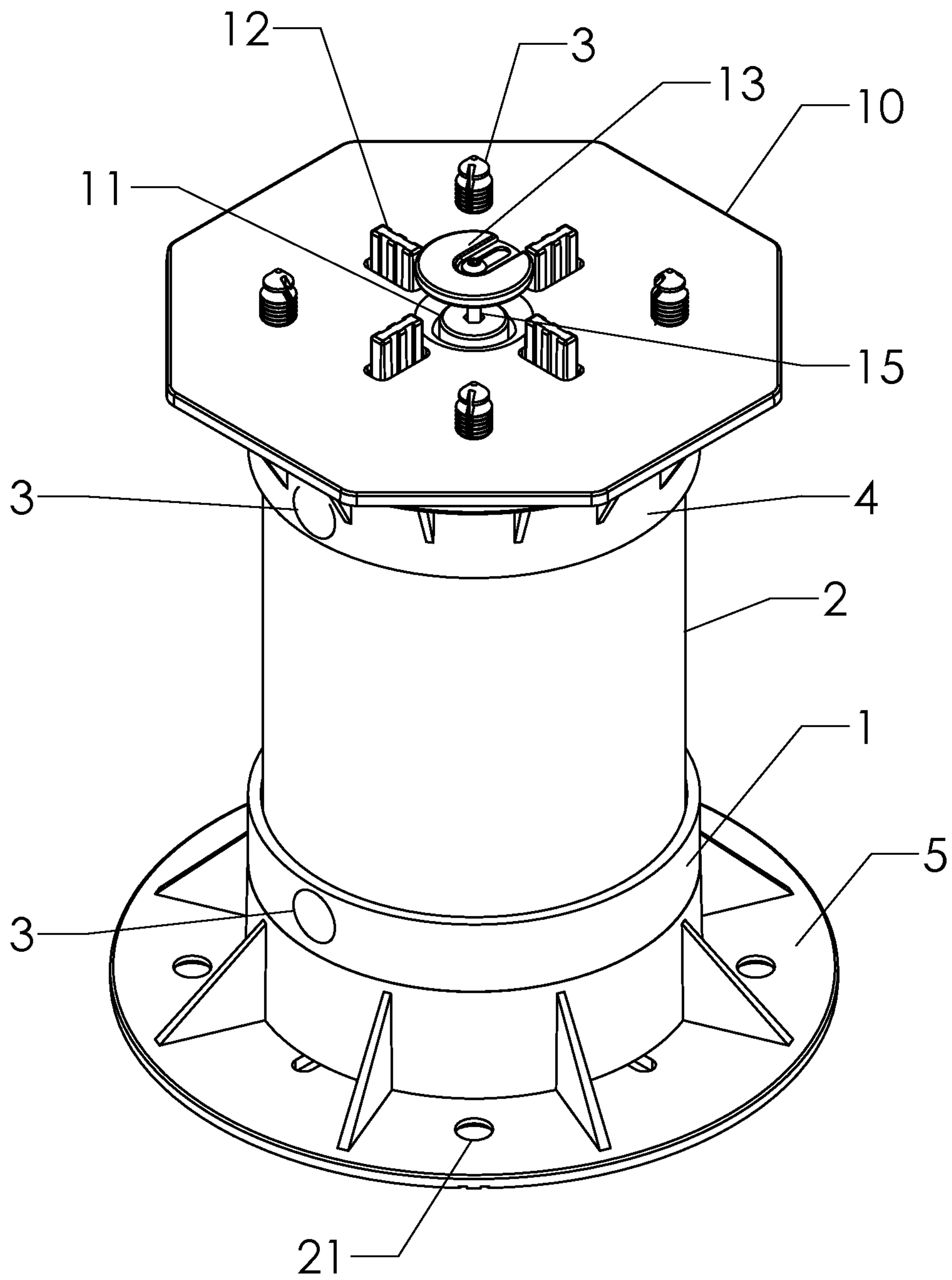


FIG. 2

3 of 11

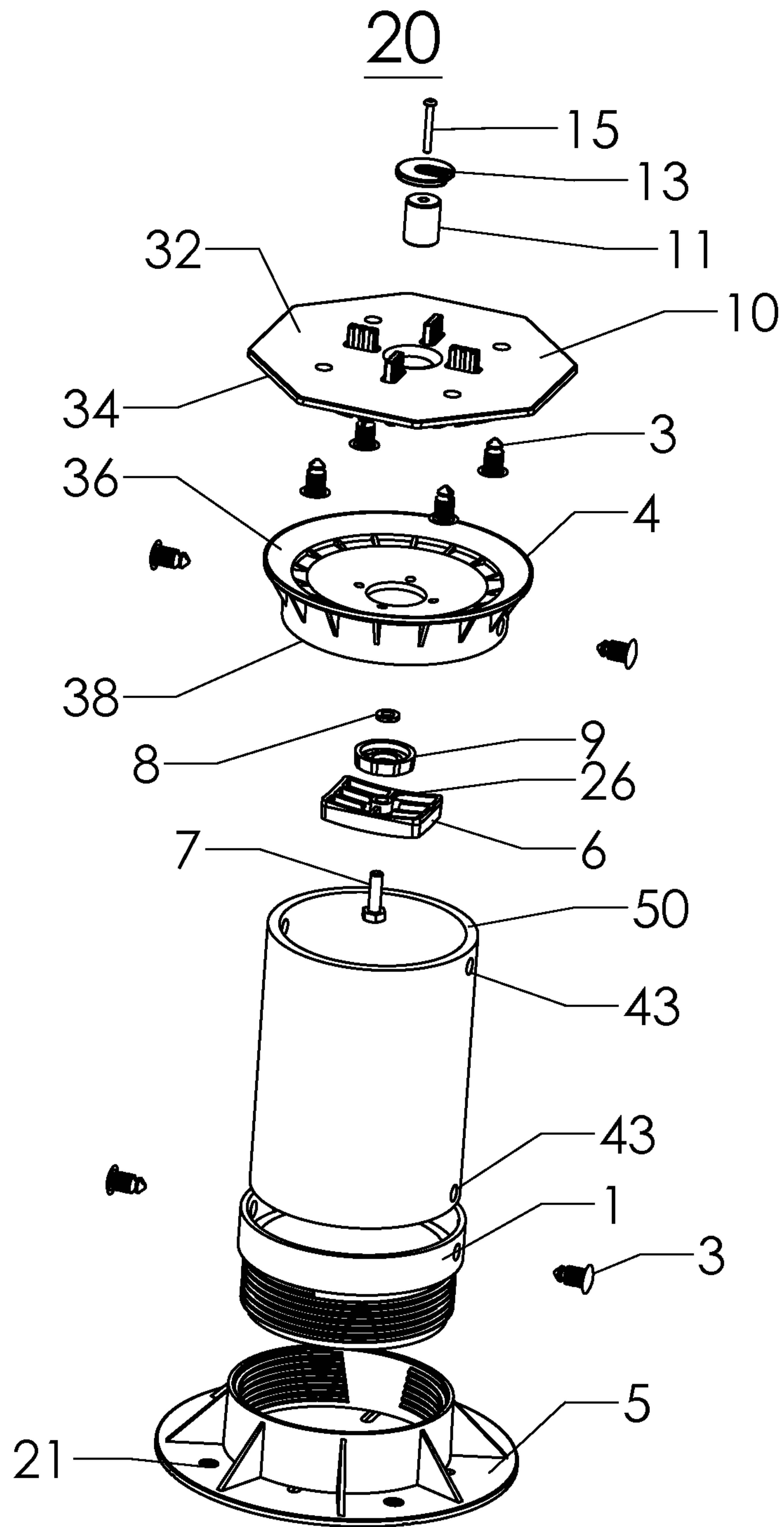
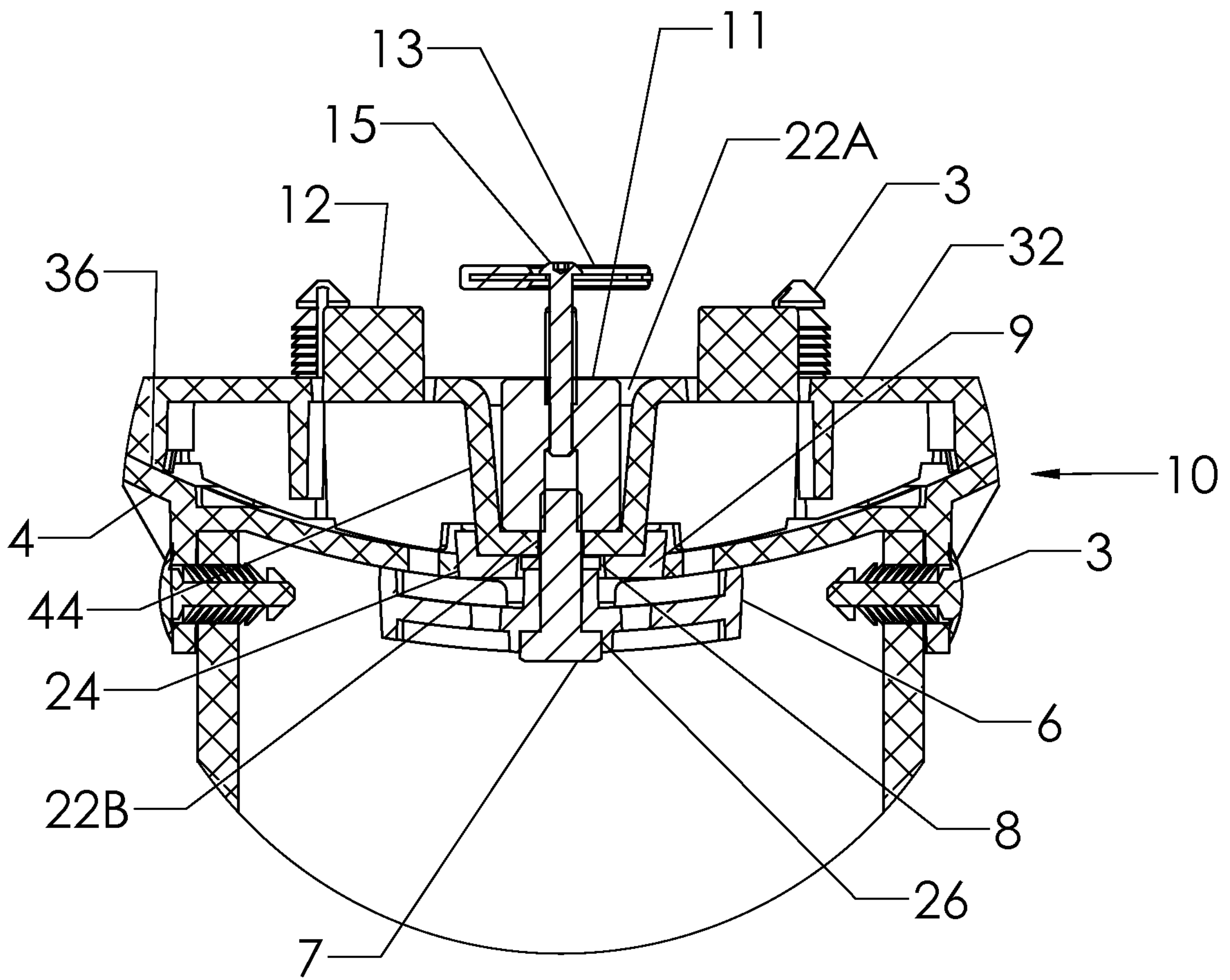


FIG. 3

5 of 11



DETAIL C

FIG. 4C

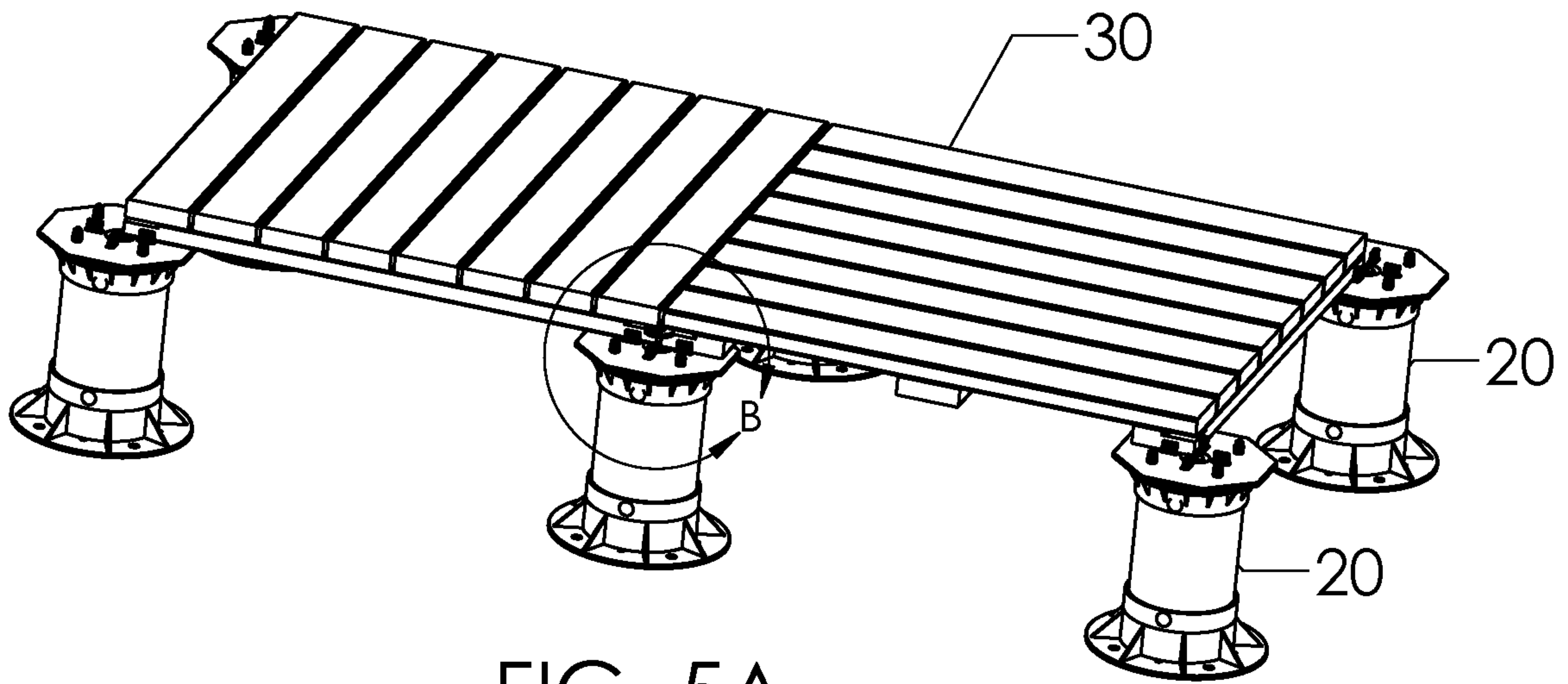
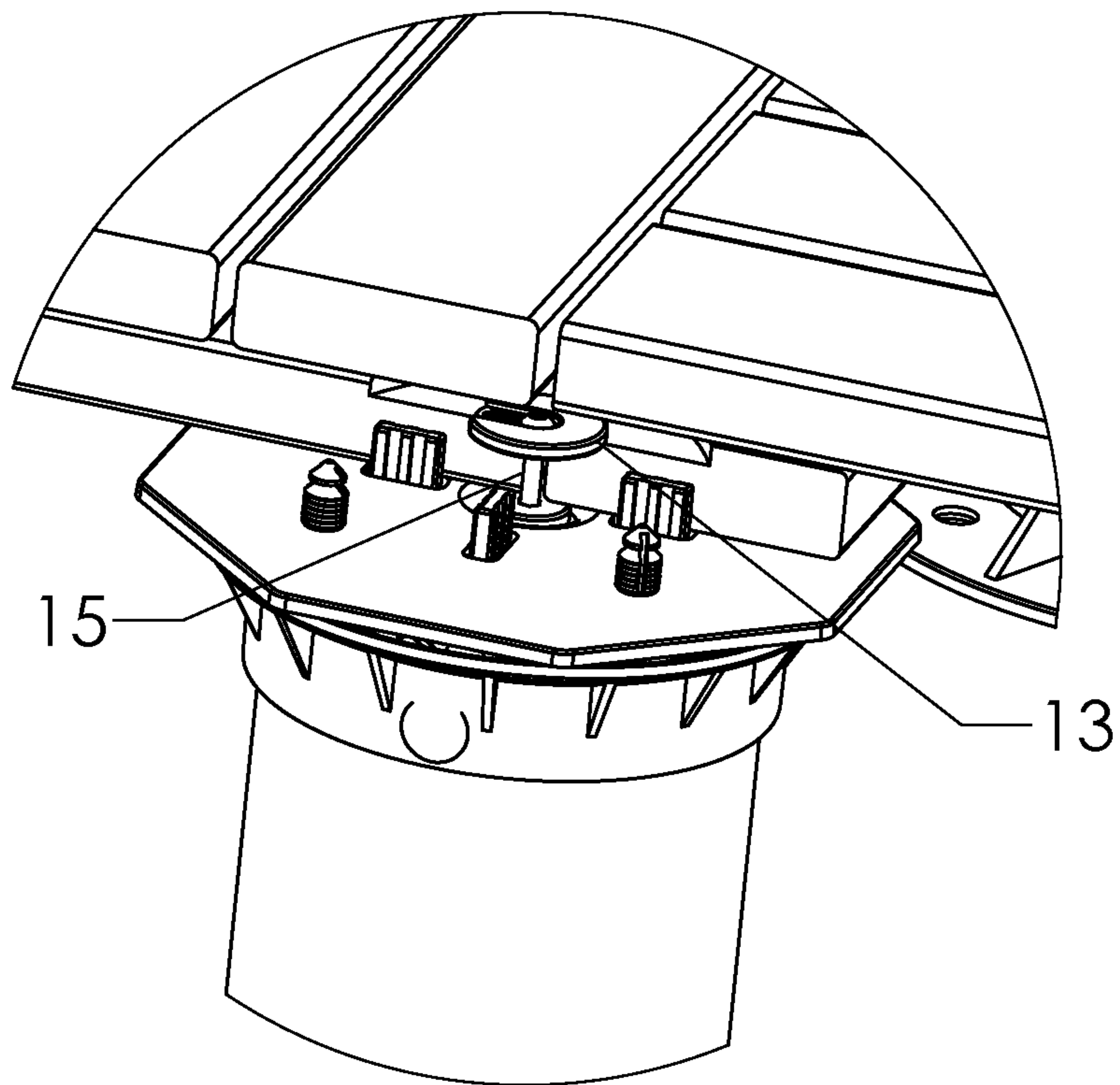


FIG. 5A



DETAIL B

FIG. 5B

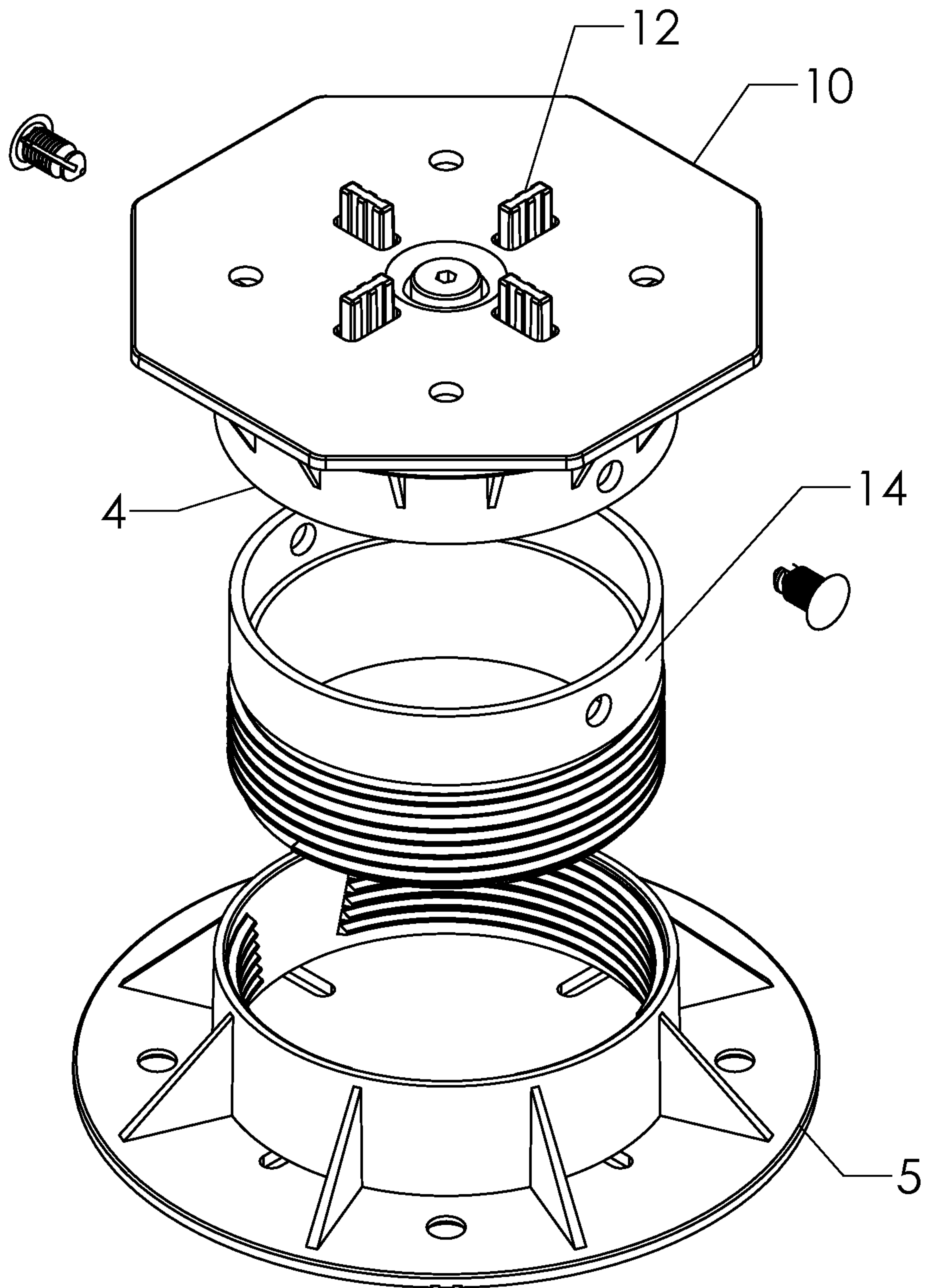


FIG. 6

8 of 11

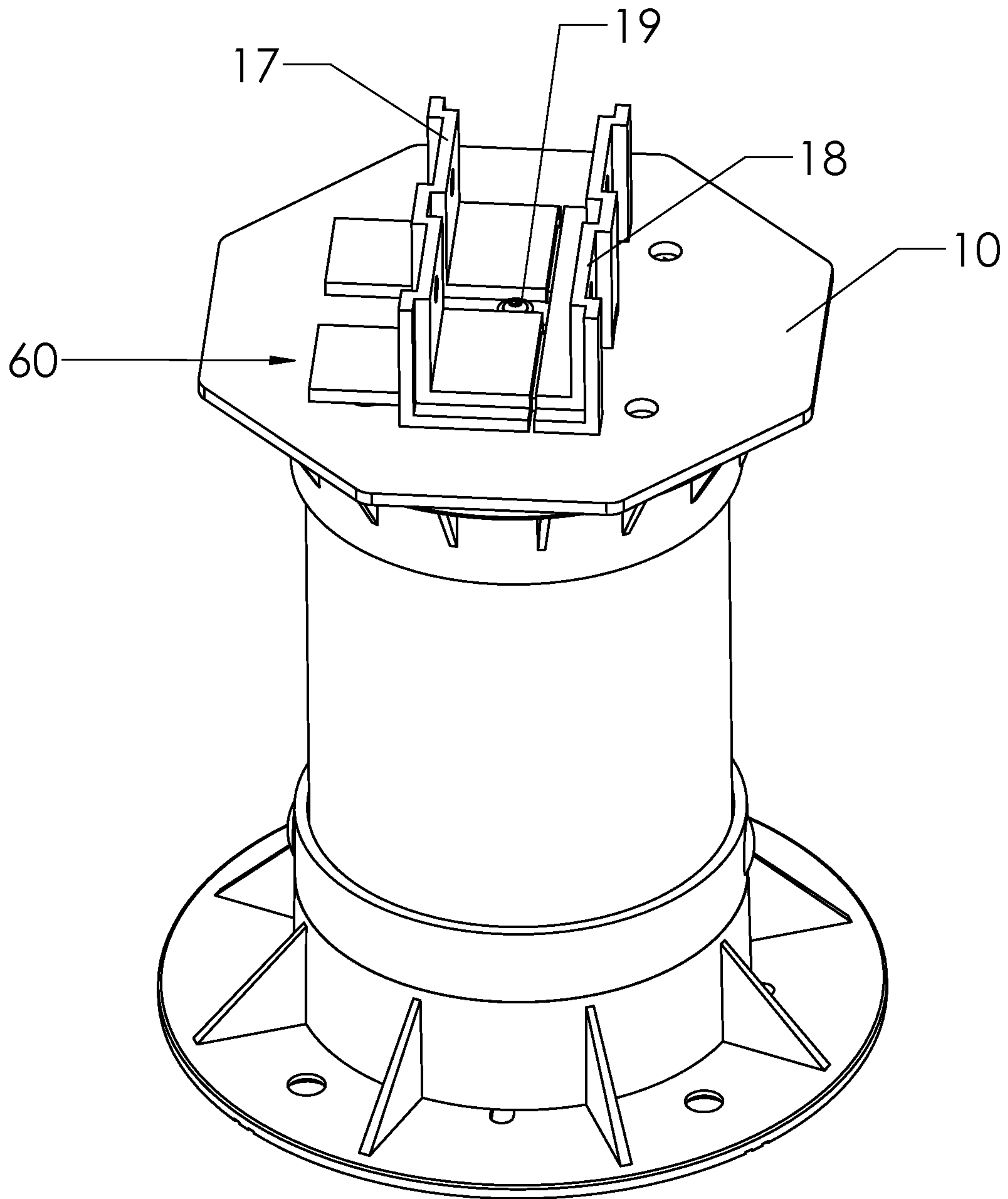


FIG. 7

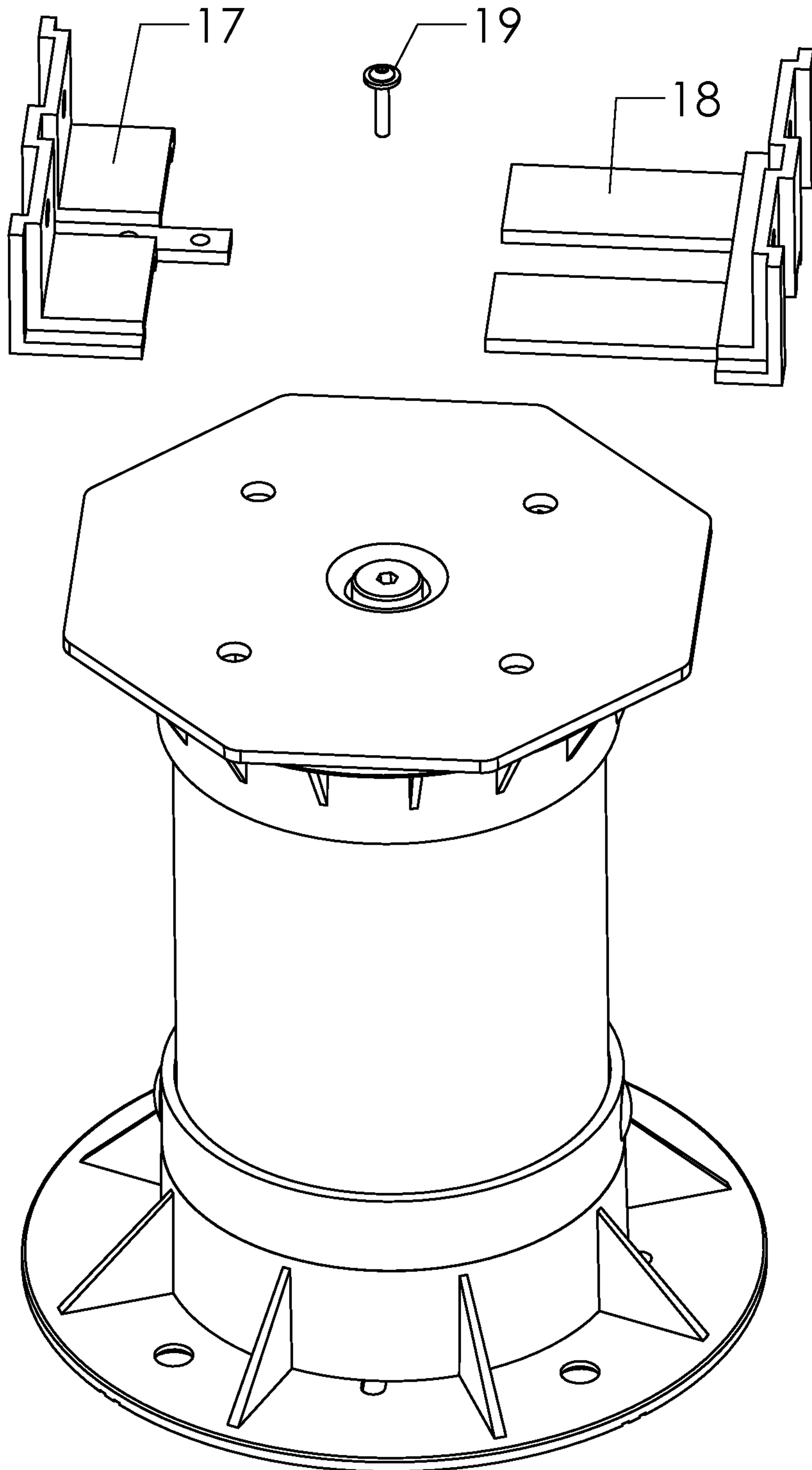


FIG. 8

10 of 11

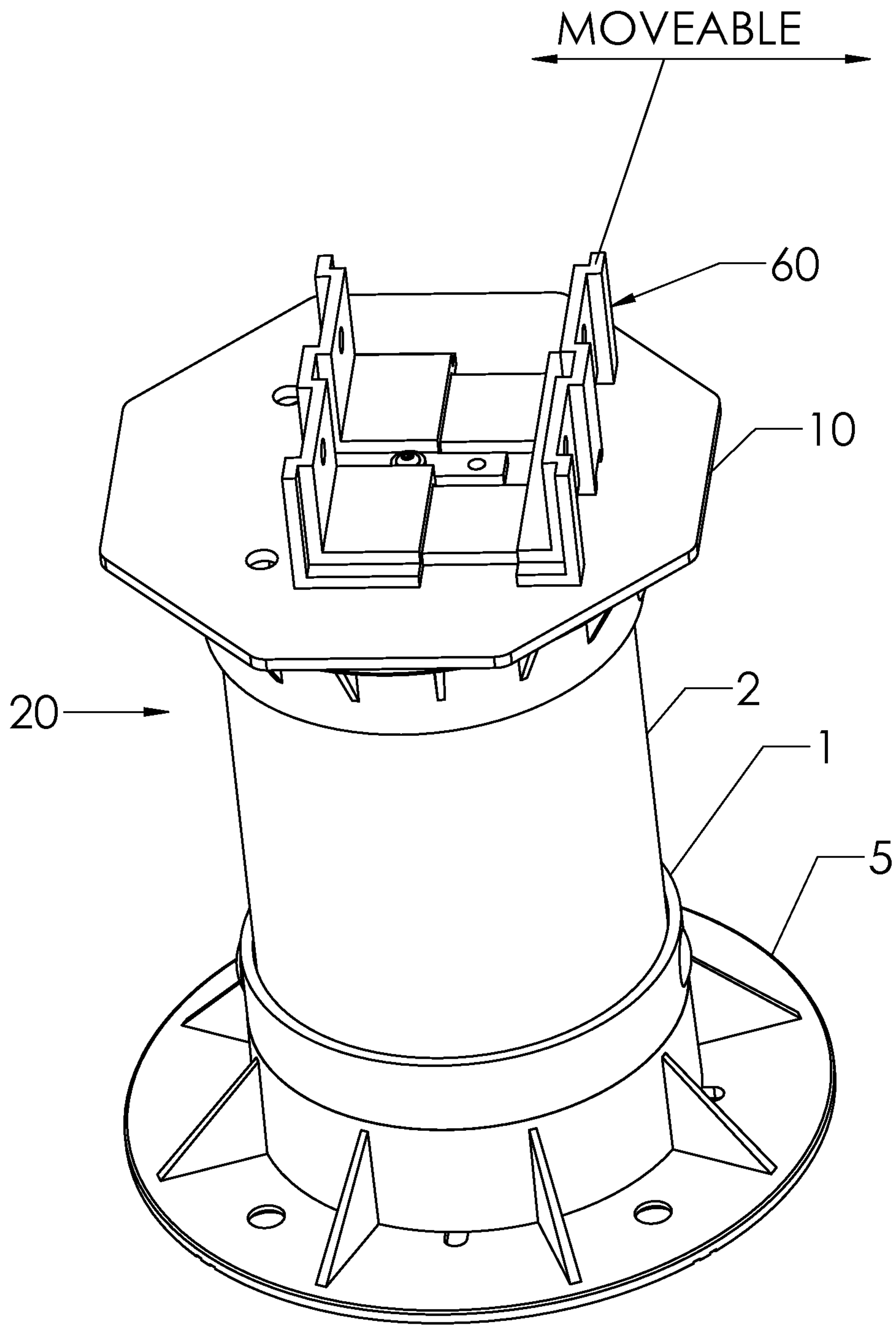


FIG. 9

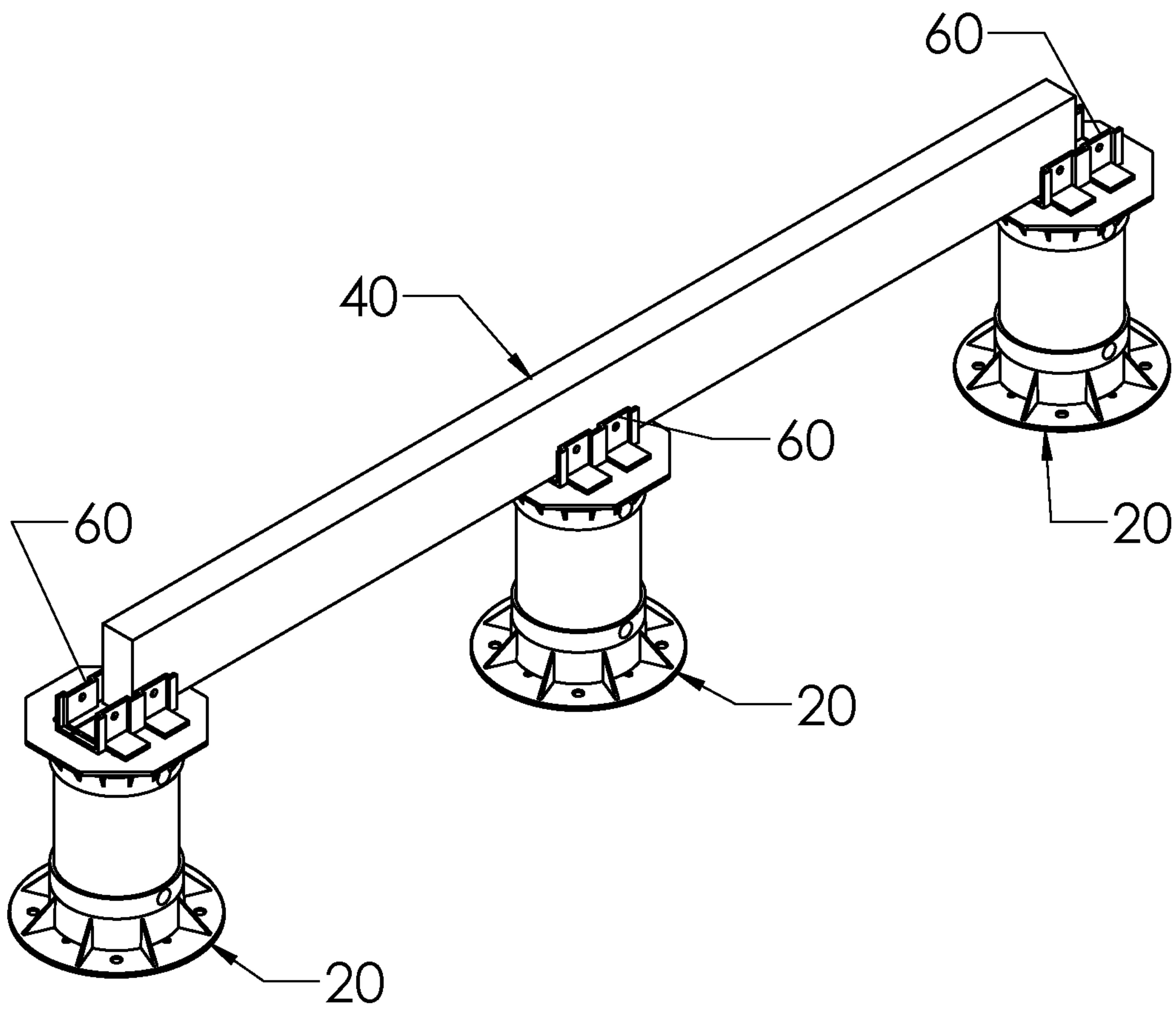


FIG. 10

20

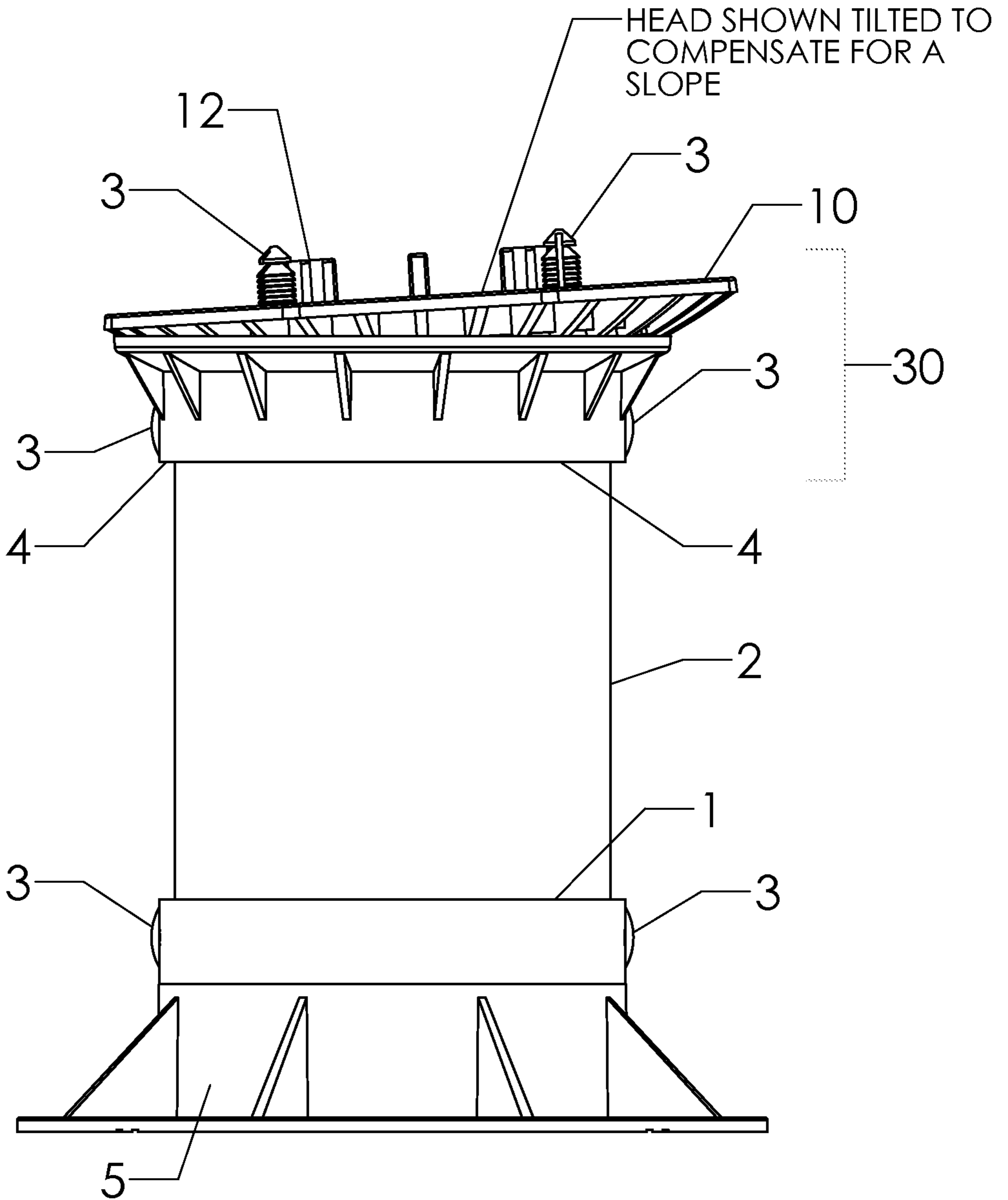


FIG. 1