



US0D1069146S

(12) **United States Design Patent**
Lischinsky

(10) **Patent No.:** **US D1,069,146 S**

(45) **Date of Patent:** **** Apr. 1, 2025**

(54) **STIMULATOR**

(71) Applicant: **OHH-MED MEDICAL LTD.,**
Ramat-Yshay (IL)

(72) Inventor: **Daniel Lischinsky,** Ramat Yshay (IL)

(73) Assignee: **OHH-MED MEDICAL LTD.,**
Ramat-Yshay (IL)

(**) Term: **15 Years**

(21) Appl. No.: **29/821,968**

(22) Filed: **Jan. 5, 2022**

(51) **LOC (15) Cl.** **24-01**

(52) **U.S. Cl.**
USPC **D24/215**

(58) **Field of Classification Search**
USPC D24/215, 200, 211, 212, 213, 214, 133,
D24/107, 231

CPC A61H 7/00; A61H 7/001; A61H 7/002;
A61H 7/003; A61H 7/007; A61H 19/00;
A61H 19/30; A61H 19/32; A61H 19/34;
A61H 19/40; A61H 19/44; A61H 19/50;
A61H 21/00; A61F 5/41

See application file for complete search history.

(56) **References Cited**

U.S. PATENT DOCUMENTS

5,873,813	A *	2/1999	Weiss	A61F 5/41 600/38
D559,990	S *	1/2008	Gayne	D24/200
D608,899	S *	1/2010	Gayne	D24/215
D652,525	S *	1/2012	Caggiano	D24/215
2013/0197301	A1 *	8/2013	Nelson	A61F 5/41 600/38
2016/0058603	A1 *	3/2016	Vanderwolk	A61F 5/41 600/38
2018/0064937	A1 *	3/2018	Lischinsky	A61N 1/36
2021/0353269	A1 *	11/2021	Takahori	A61B 10/0058
2023/0210718	A1 *	7/2023	Zhou	A61H 19/32 600/38

OTHER PUBLICATIONS

Vertica. Date: Nov. 18, 2021. [online]. [Site visited Jul. 5, 2023]. Available from Internet URL: <https://www.youtube.com/watch?v=rq9QE3DMbGY> (Year: 2021).*

* cited by examiner

Primary Examiner — Eliza Z Harvey

Assistant Examiner — Landon Thomas Cassell

(74) *Attorney, Agent, or Firm* — The IP Law Firm of Guy Levi, LLC

(57) **CLAIM**

The ornamental design for a stimulator, as shown and described herein.

DESCRIPTION

FIG. 1, is a rear top left perspective view of a stimulator, showing my new design;

FIG. 2, is a bottom front right perspective view thereof;

FIG. 3, is a top plan view thereof;

FIG. 4, is a bottom plan view thereof;

FIG. 5, is a left side elevation view thereof;

FIG. 6, is a right side elevation view thereof;

FIG. 7, is a front elevation view thereof;

FIG. 8, is a rear elevation view thereof;

FIG. 9, is a section view thereof, taken from detail 9 in FIG. 8; and,

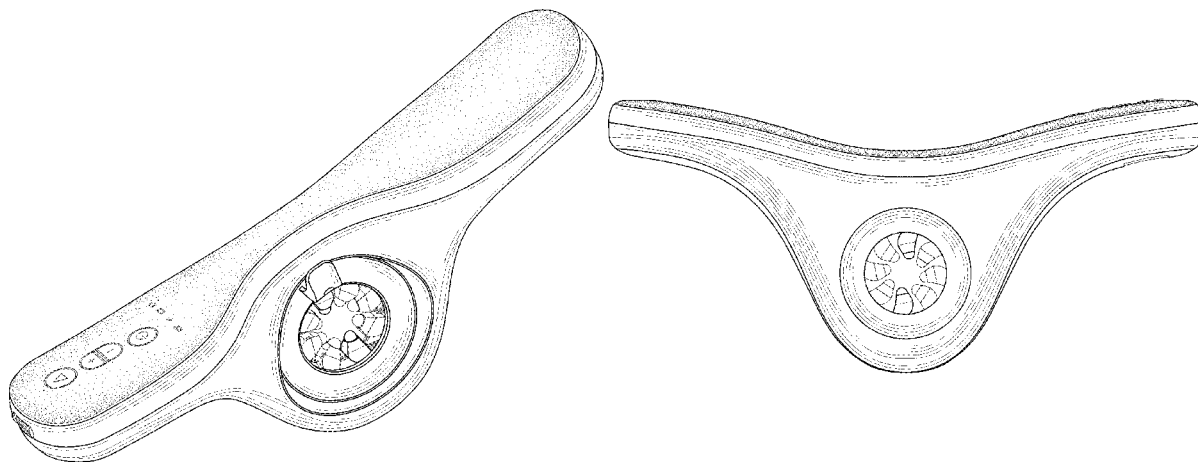
FIG. 10, is another rear top left perspective view thereof showing additional environment that forms no part of the claimed design.

The elements shown in broken lines in FIGS. 1-4, 5 and 6-10 are included for the purpose of illustrating environment and form no part of the claimed design.

The dot-dash broken lines in FIG. 8 depict the cut line shown in the sectional view shown in FIG. 9, the dot-dash broken lines form no part of the claimed design.

The stippling in FIGS. 1, 3, 5-8, and 10 depicts an alternate surface material.

1 Claim, 8 Drawing Sheets



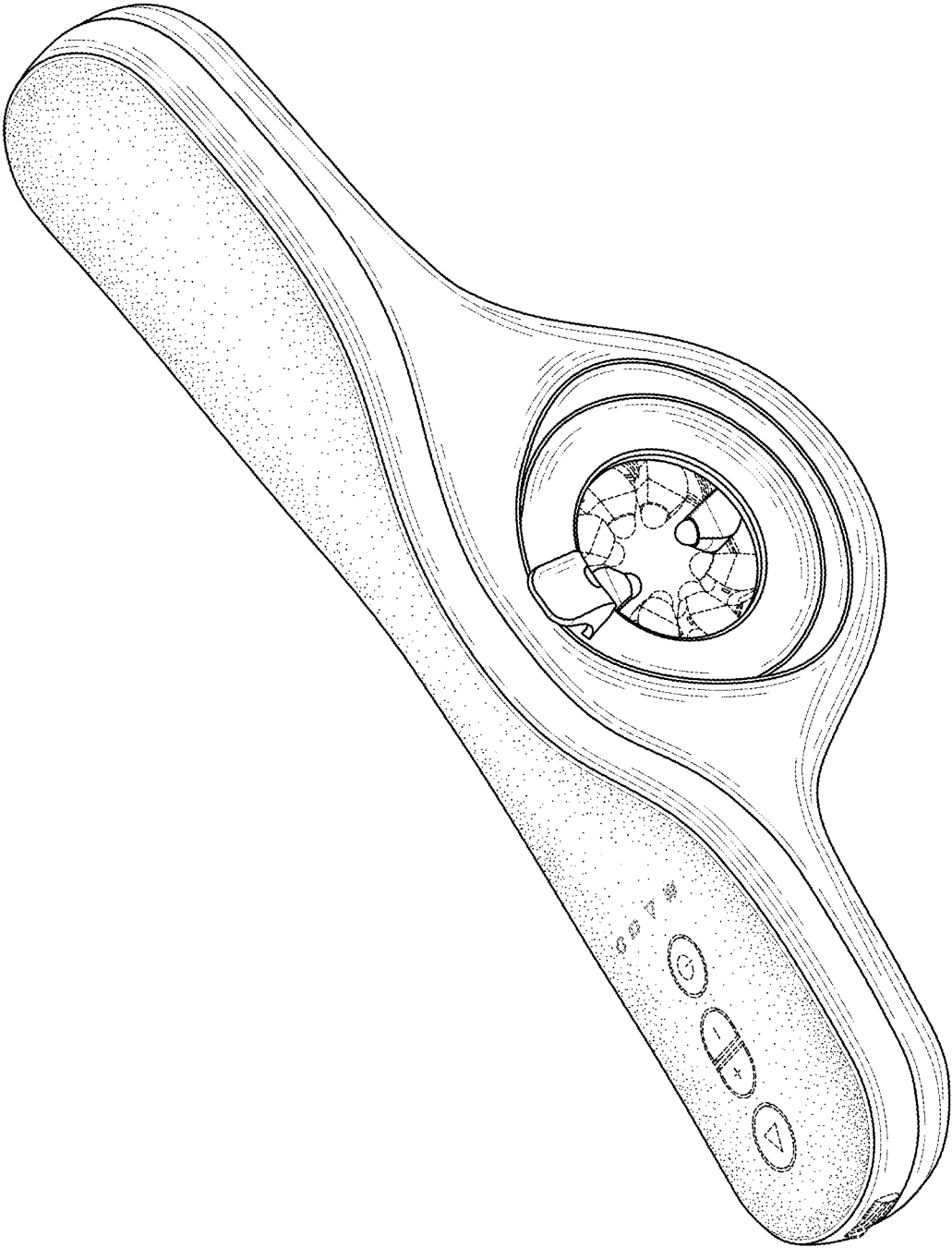


FIG. 1

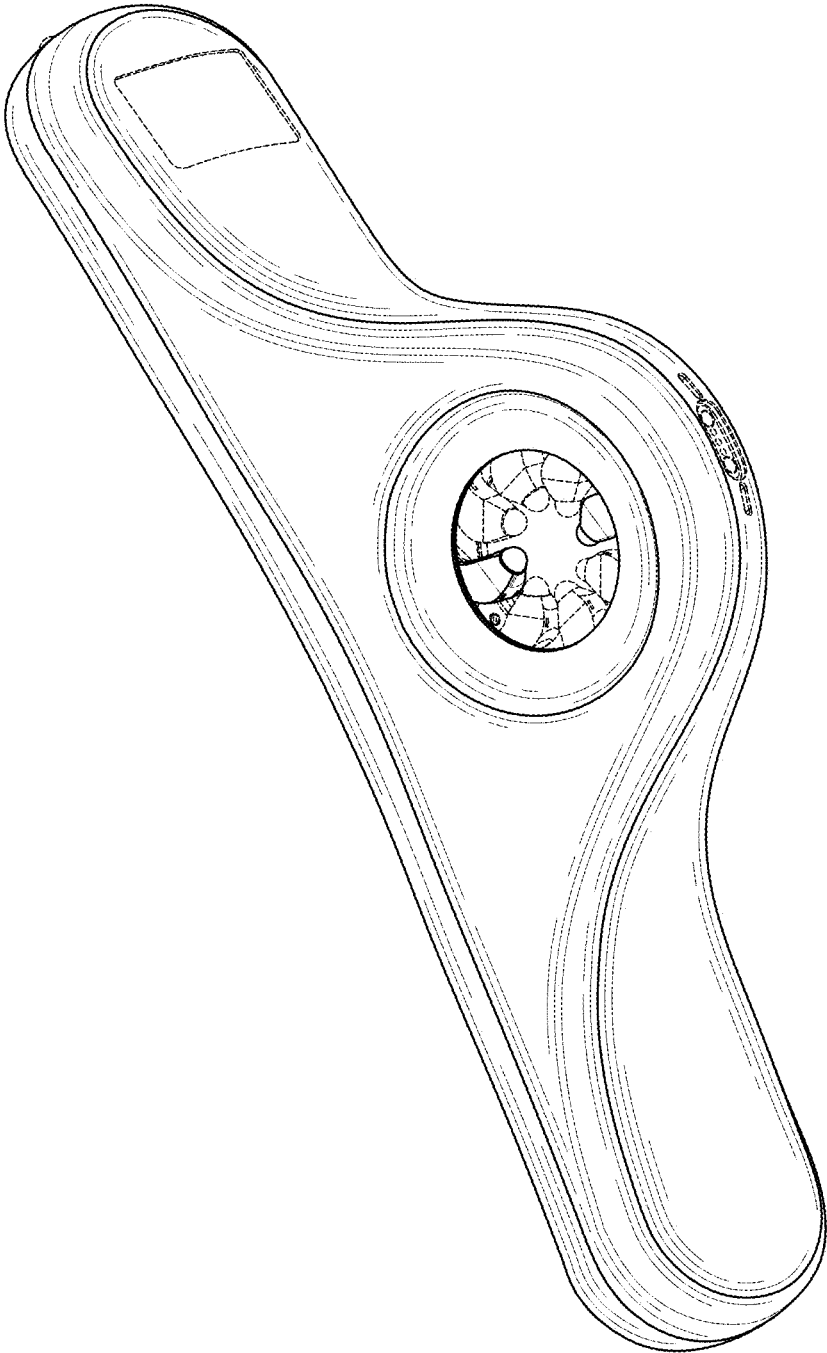


FIG. 2

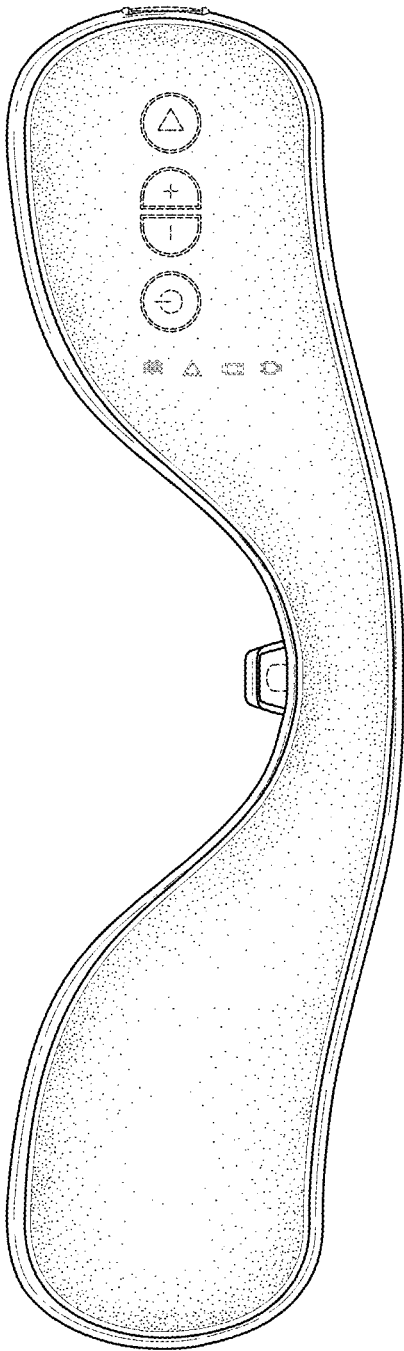


FIG. 3

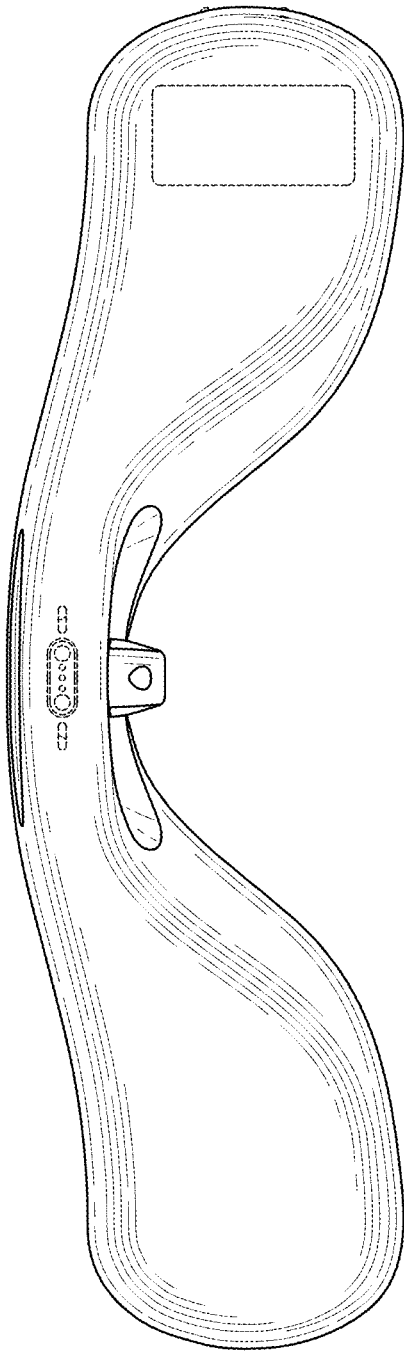


FIG. 4

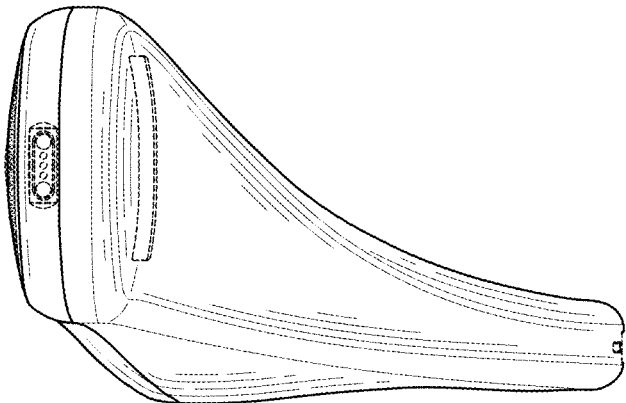


FIG. 5

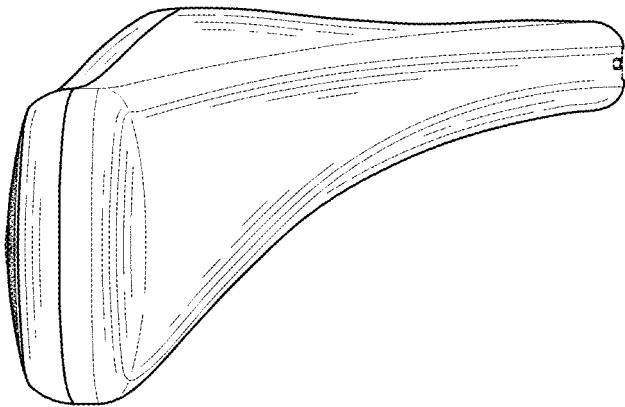


FIG. 6

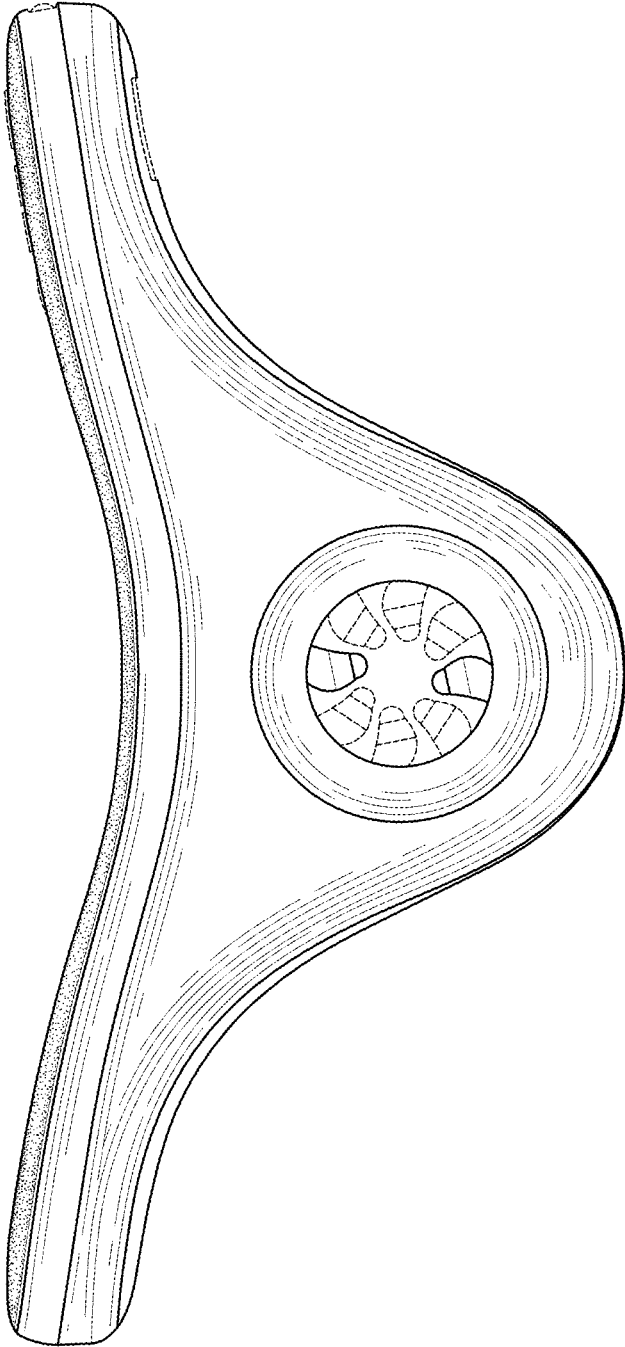


FIG. 7

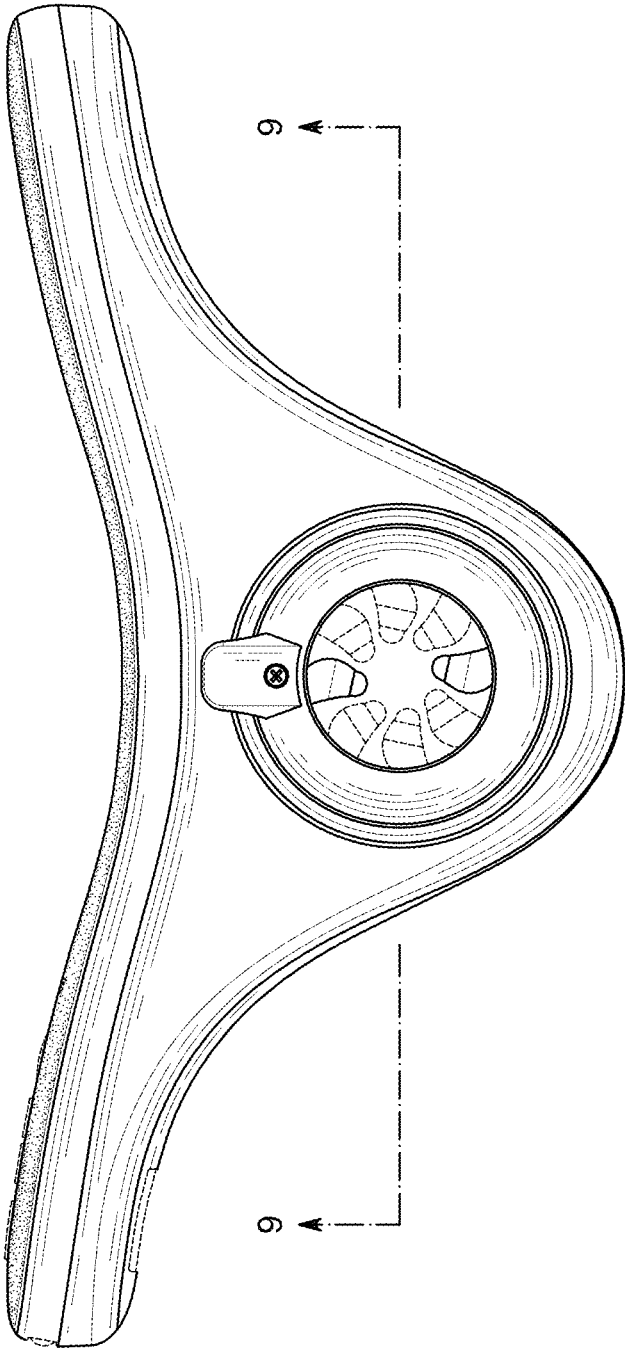


FIG. 8

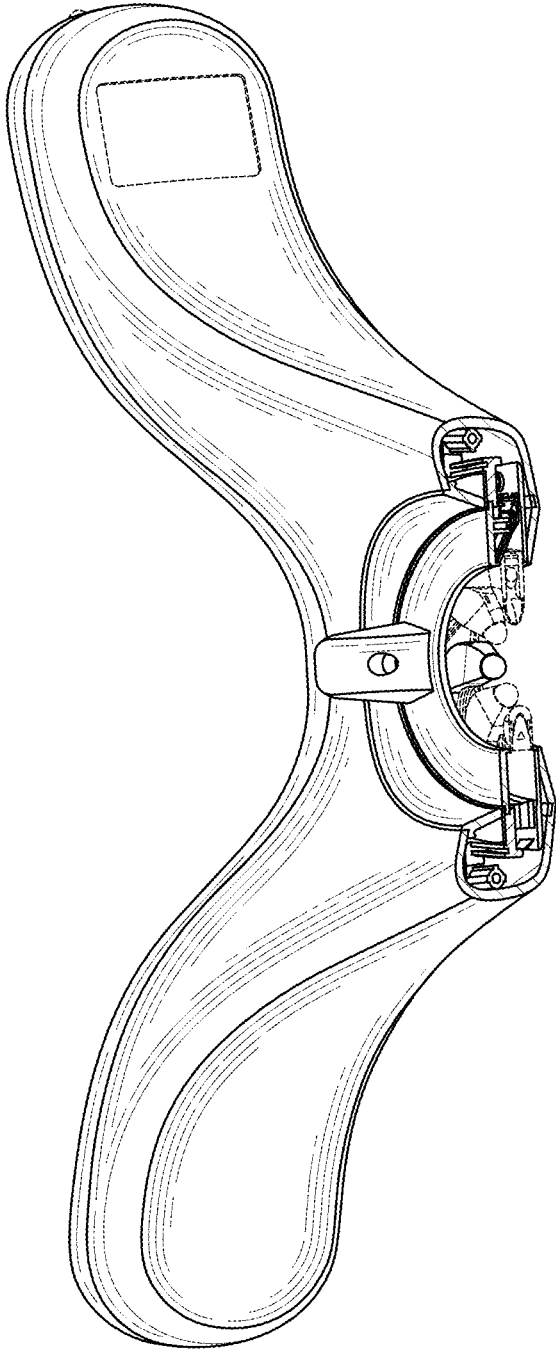


FIG. 9

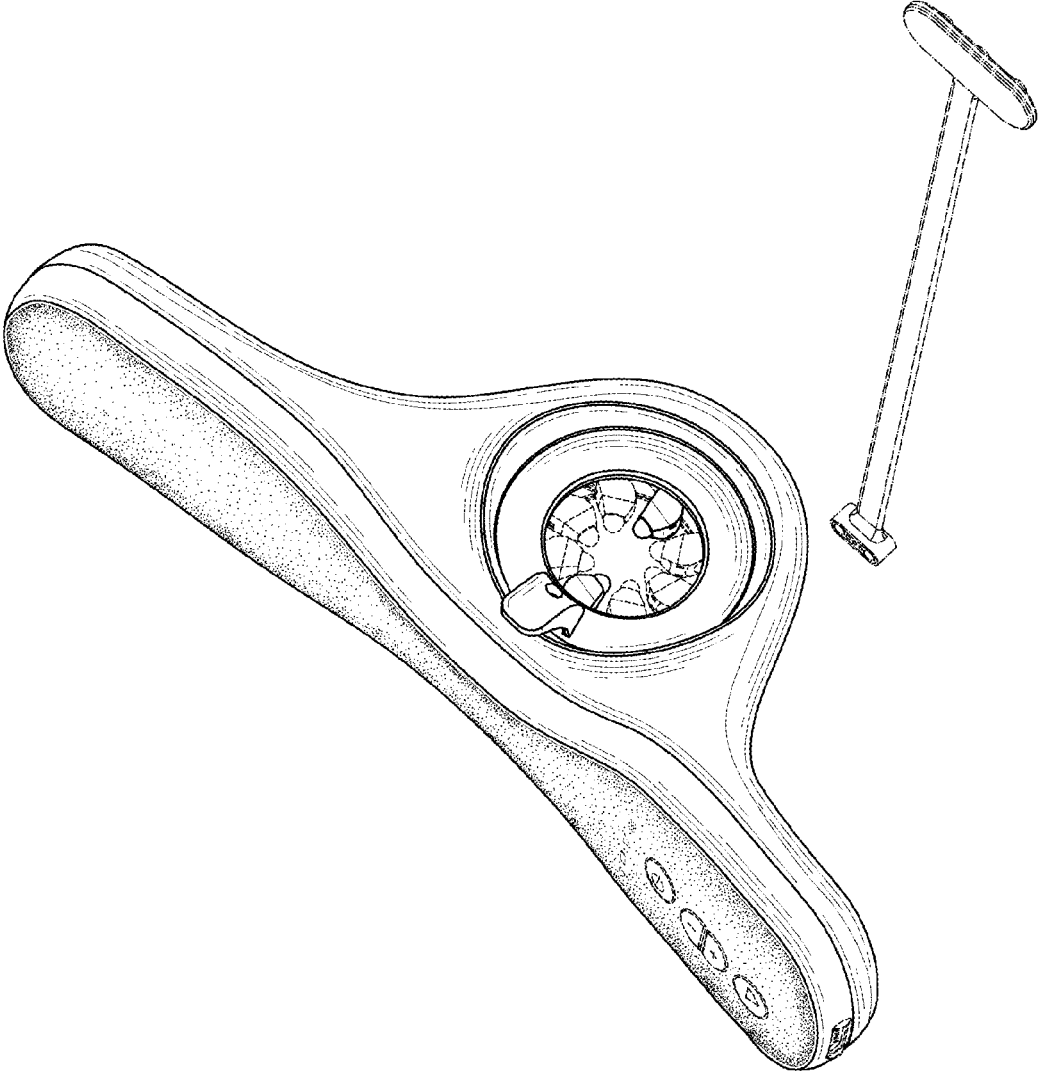


FIG. 10